



US00D884034S

(12) **United States Design Patent**
Wang

(10) **Patent No.:** **US D884,034 S**

(45) **Date of Patent:** **** May 12, 2020**

(54) **SELF-PRINTING TRANSFER PUMP**

(71) Applicant: **GP Enterprises Co., Ltd**, Suzhou,
Jiangsu (CN)

(72) Inventor: **Xian Wang**, Jiangsu (CN)

(73) Assignee: **GP Enterprises Co., Ltd**, Suzhou (CN)

(**) Term: **15 Years**

(21) Appl. No.: **29/672,054**

(22) Filed: **Dec. 3, 2018**

(51) **LOC (12) Cl.** **15-02**

(52) **U.S. Cl.**
USPC **D15/7**

(58) **Field of Classification Search**

USPC D15/7-9; D23/231, 232, 225
CPC F04B 53/22; F04B 1/0448; F04B 53/92;
F04B 1/005; F04B 17/00; F02M 37/04;
F02M 37/14; F04D 13/06; F04D 29/22;
F04D 29/046; F04D 29/2266

See application file for complete search history.

(56) **References Cited**

U.S. PATENT DOCUMENTS

2,269,097	A *	1/1942	Garday	F02M 59/00
					417/471
D258,436	S *	3/1981	McGilberry	D15/7
D275,395	S *	9/1984	Boswell	D15/9
D296,698	S *	7/1988	King	D15/7
D484,891	S *	1/2004	Hsiao	D15/9
D538,826	S *	3/2007	Kienzle	D15/9
D541,816	S *	5/2007	Puls	D15/7
D541,817	S *	5/2007	Puls	D15/7
D543,217	S *	5/2007	Puls	D15/7

D589,983	S *	4/2009	Sinico	D15/7
D591,311	S *	4/2009	Tojo	D15/7
7,537,439	B2 *	5/2009	Pohler	F04B 23/08
					310/62
D629,423	S *	12/2010	Varini	D15/7
D644,251	S *	8/2011	Serita	D15/7
D644,555	S *	9/2011	Dixon	D15/7
D684,998	S *	6/2013	Southwood	D15/7
D697,532	S *	1/2014	Varini	D15/7
D815,152	S *	4/2018	Berry	D15/7

* cited by examiner

Primary Examiner — Mitchell I. Siegel

(57) **CLAIM**

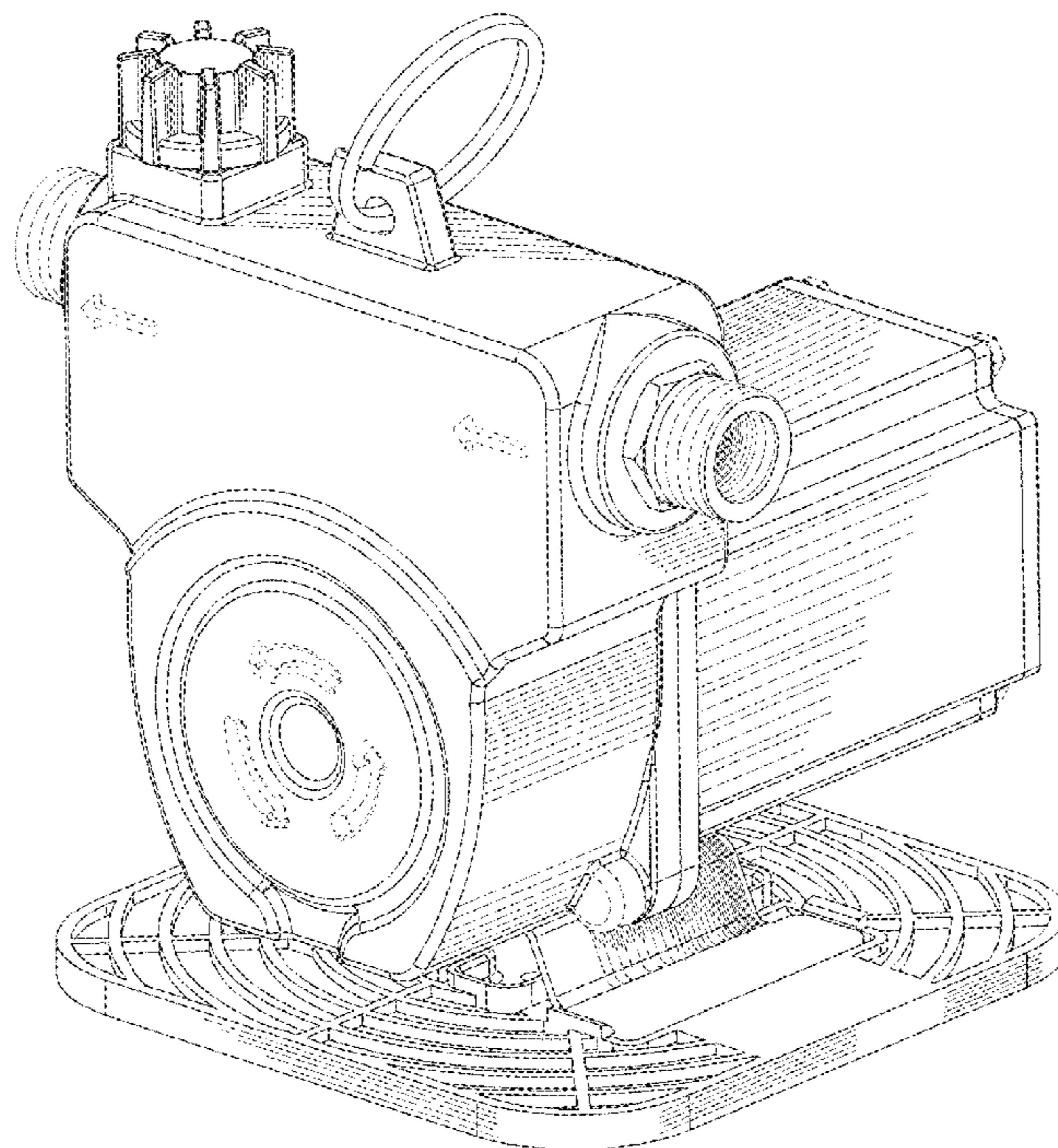
The ornamental design for a self-priming transfer pump, as shown and described.

DESCRIPTION

FIG. 1 is a front elevational view of a self-priming transfer pump showing my new design;
 FIG. 2 is a rear elevational view thereof;
 FIG. 3 is a left side view thereof;
 FIG. 4 is a right side view thereof;
 FIG. 5 is a top plan view thereof;
 FIG. 6 is a bottom plan view thereof;
 FIG. 7 is a top, front and left side perspective view thereof;
 FIG. 8 is a rear, top and right side perspective view thereof;
 FIG. 9 is a front, bottom and right side perspective view thereof; and,
 FIG. 10 is a rear, bottom and left side perspective view thereof.

The broken lines in the drawings illustrate portions of the self-priming transfer pump that form no part of the claimed design.

1 Claim, 10 Drawing Sheets



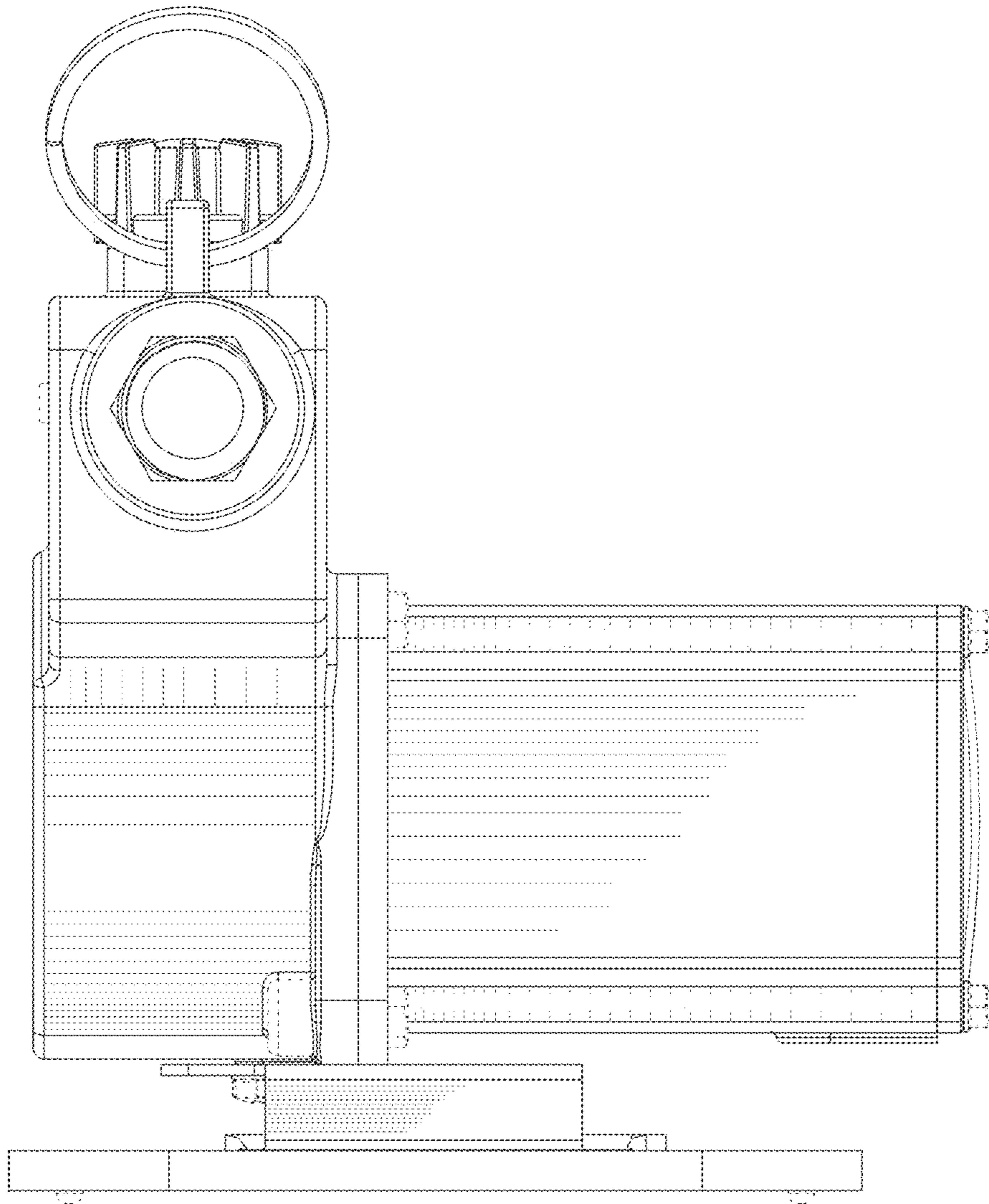


FIG. 1

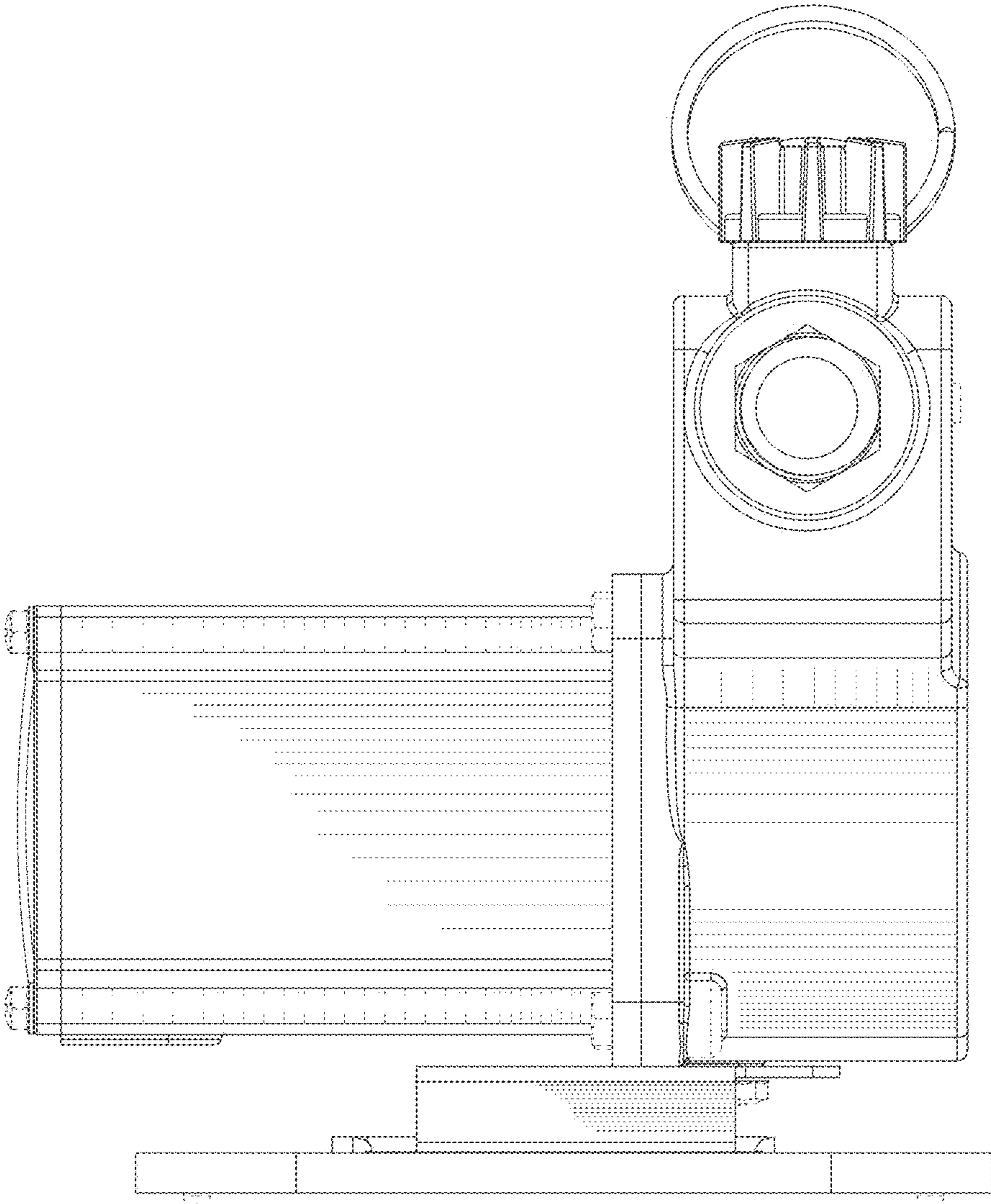


FIG. 2

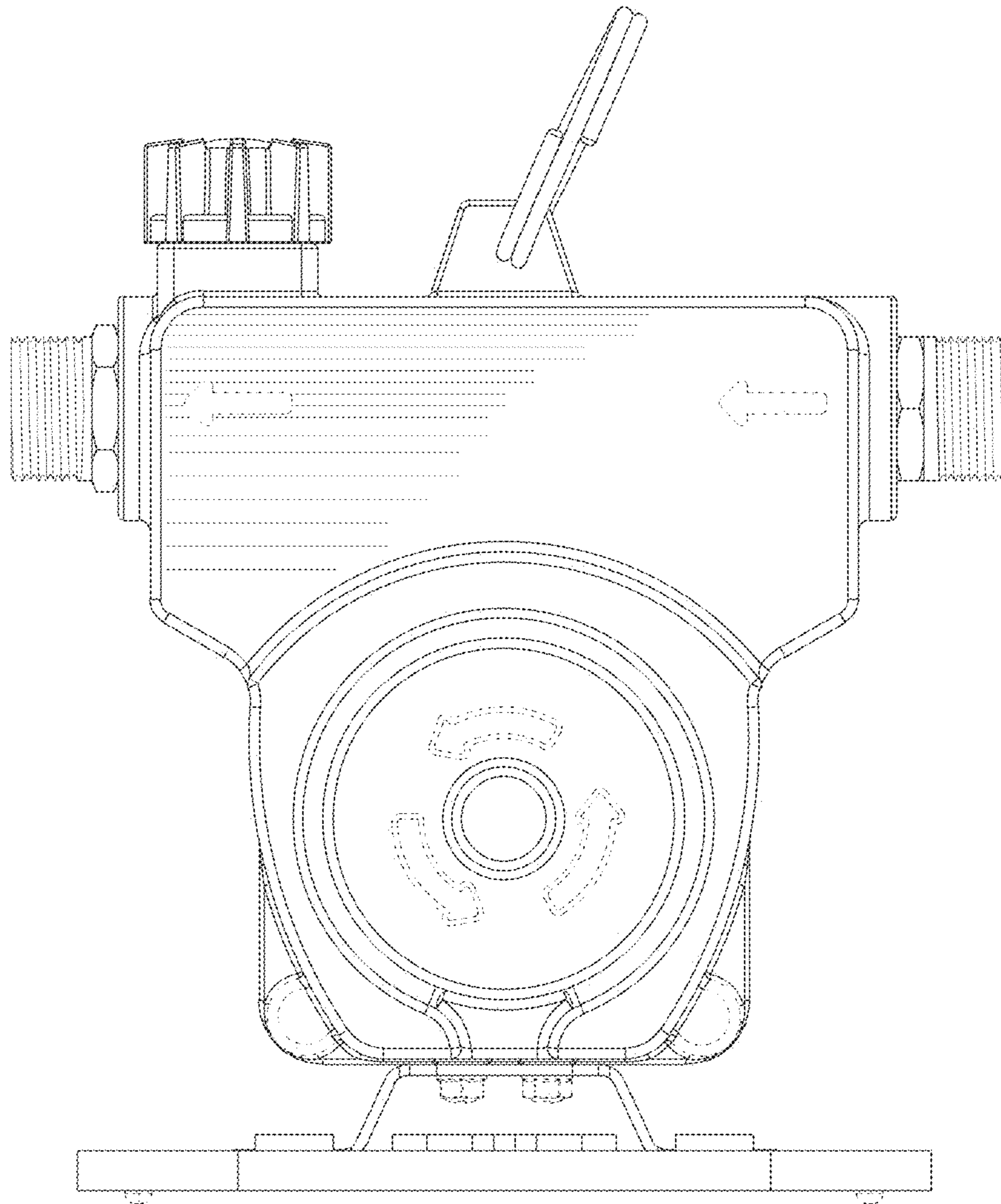


FIG. 3

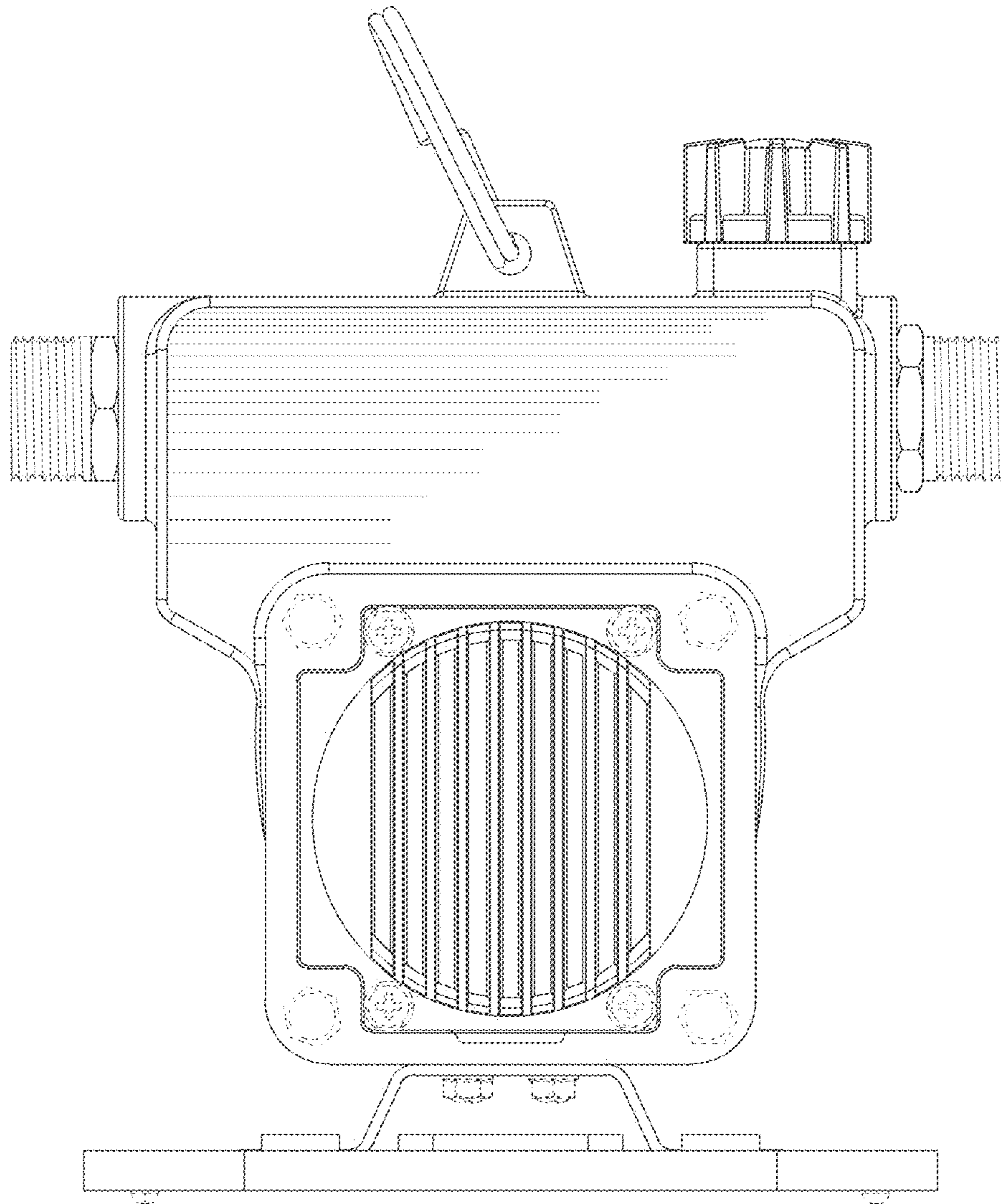


FIG. 4

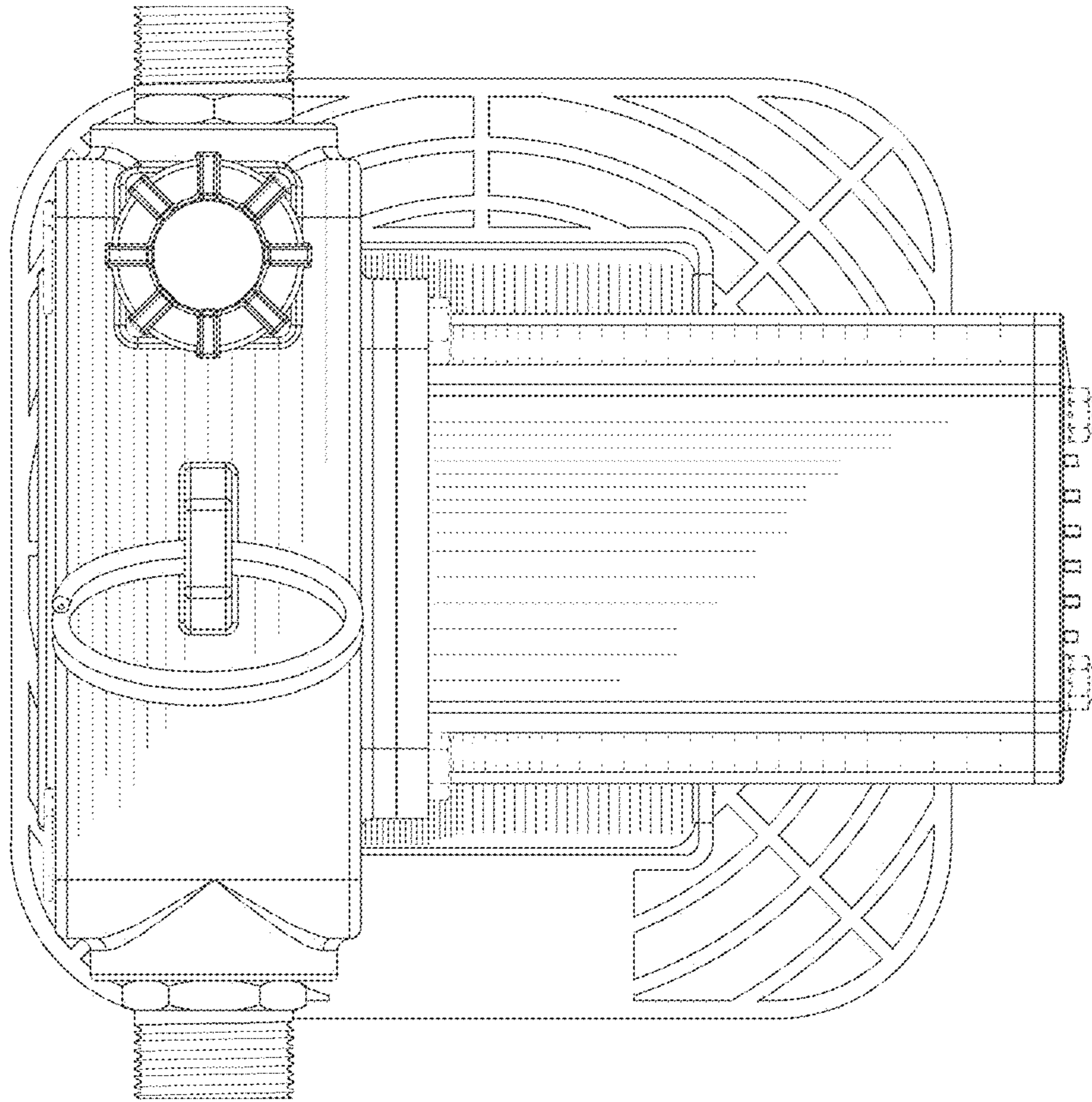


FIG. 5

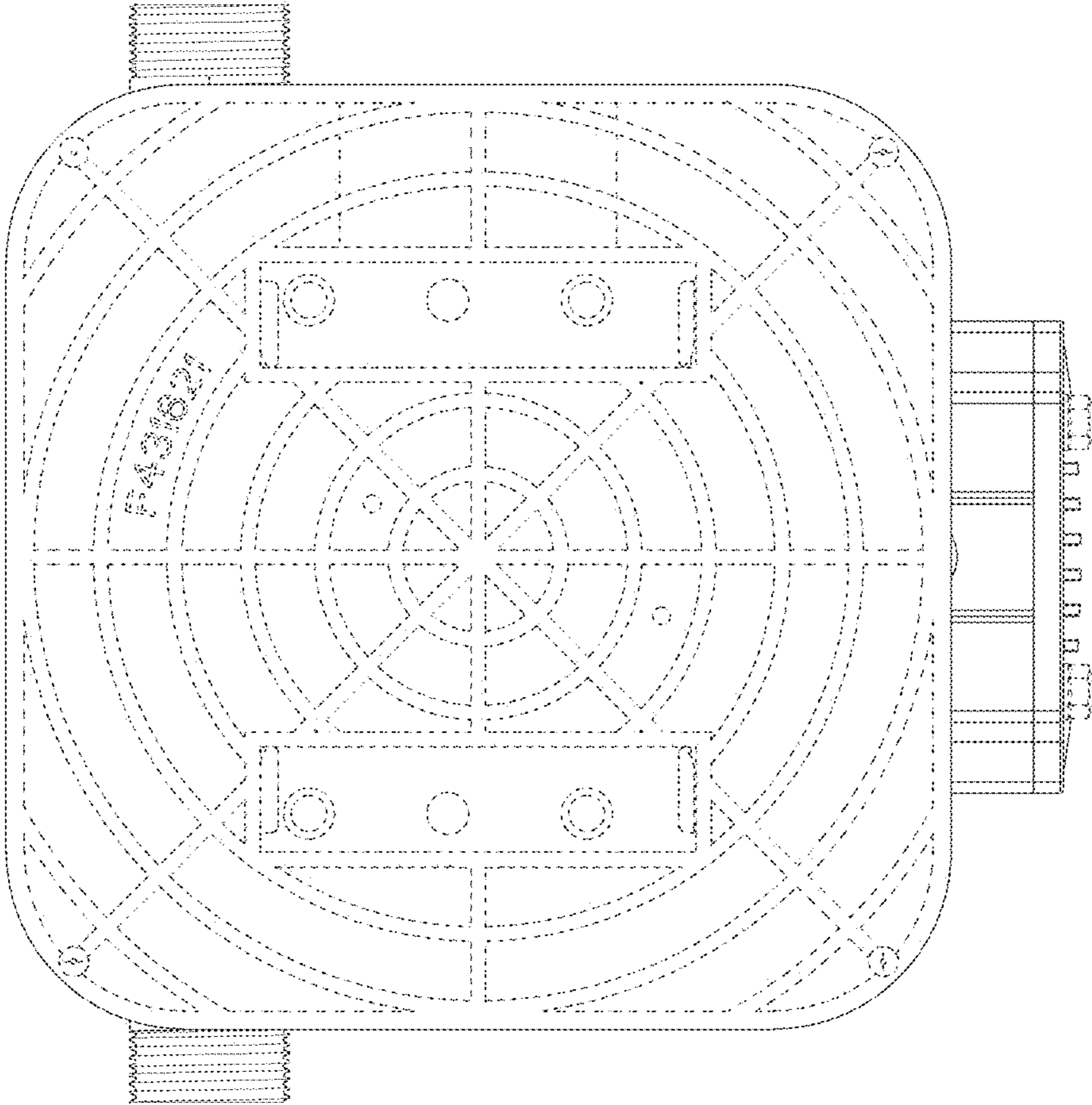


FIG. 6

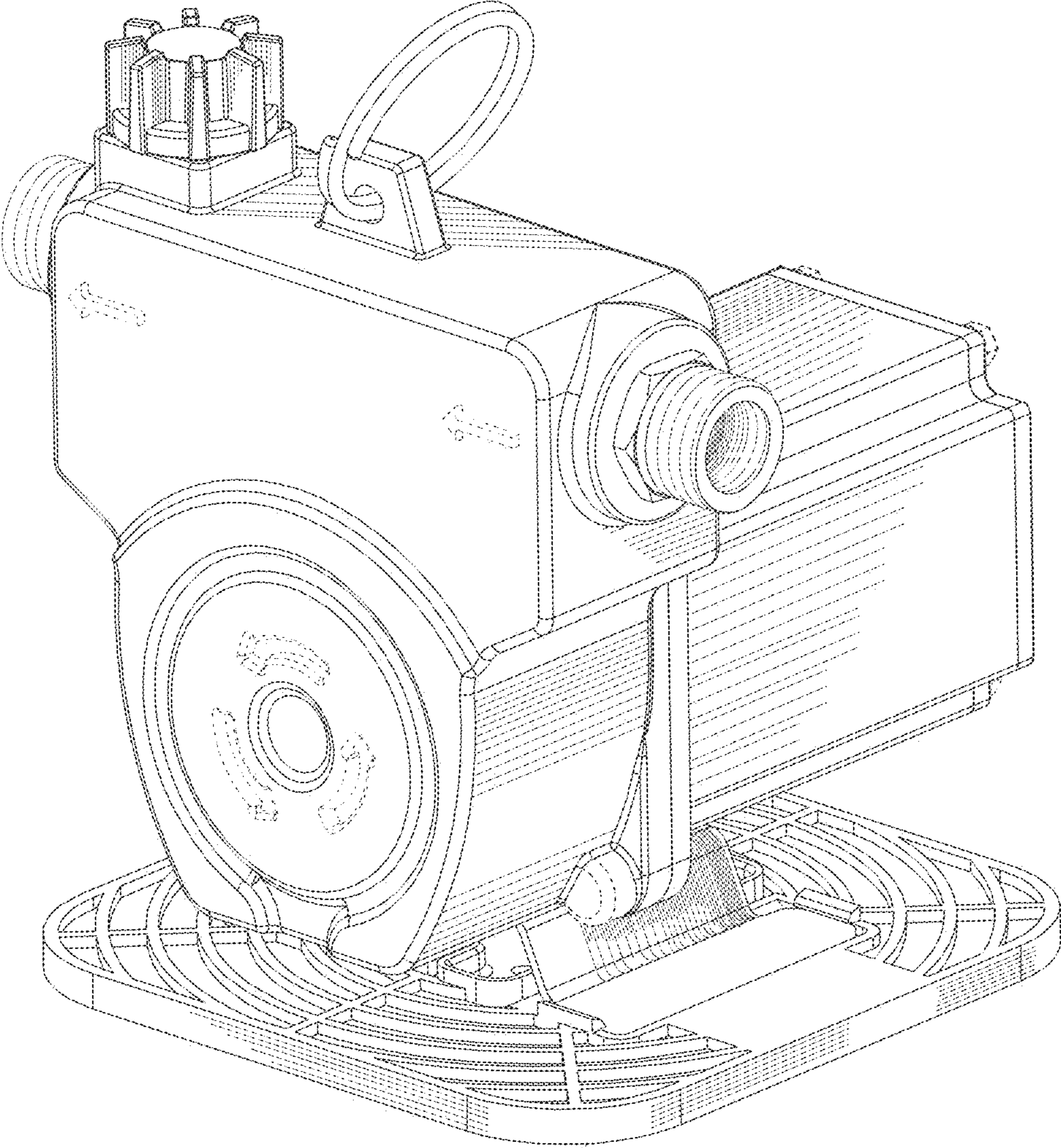


FIG. 7

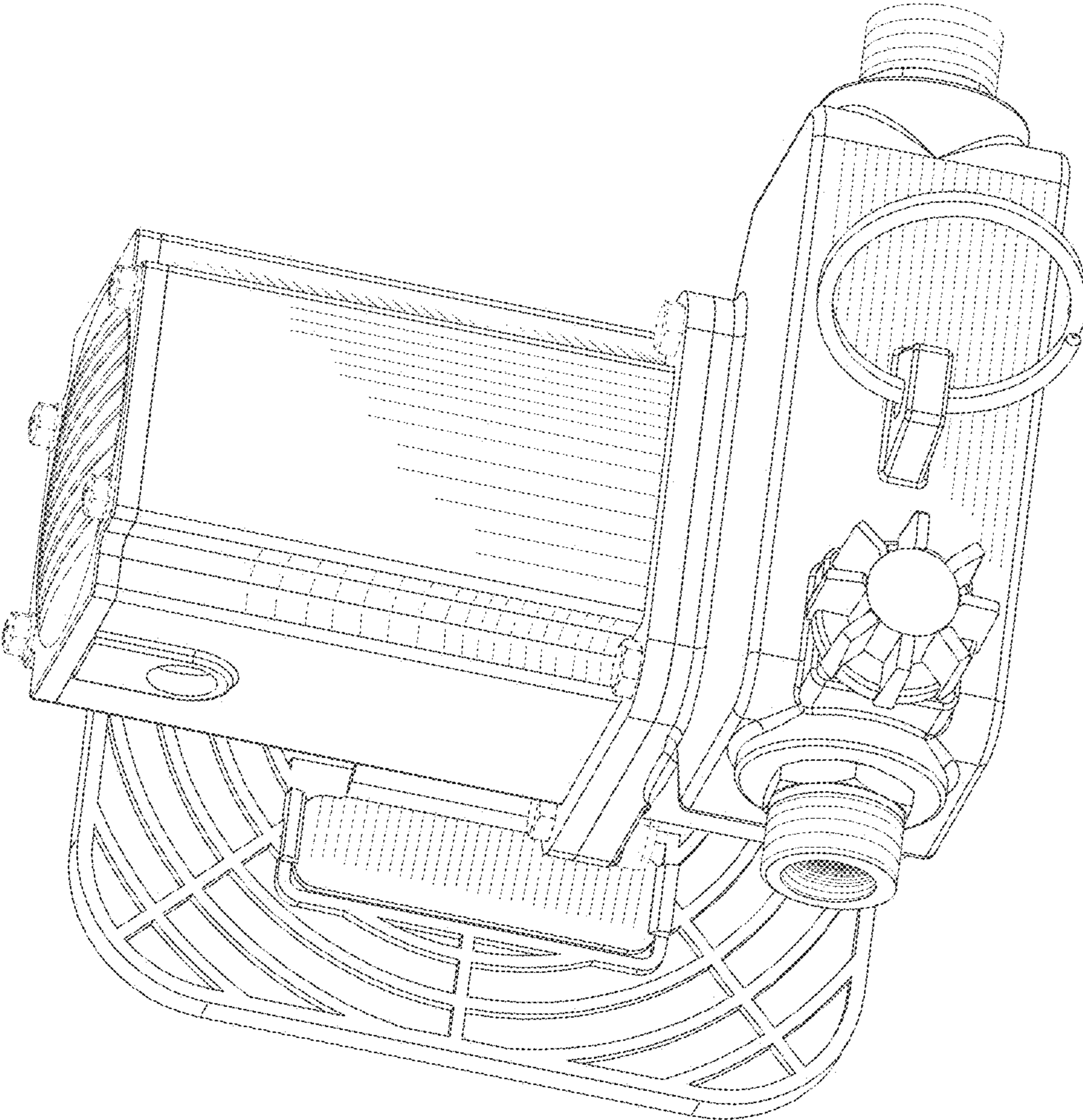


FIG. 8

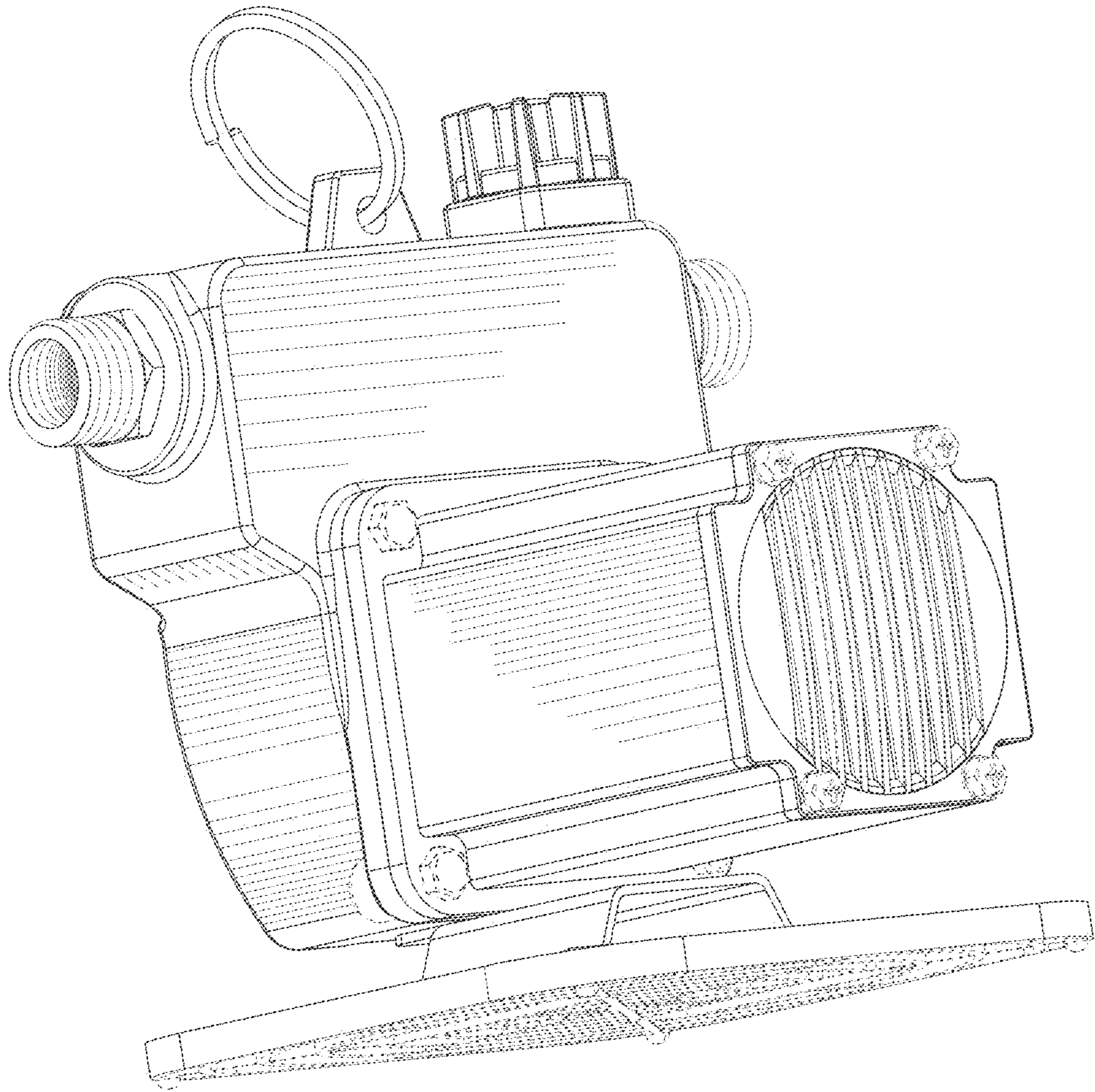


FIG. 9

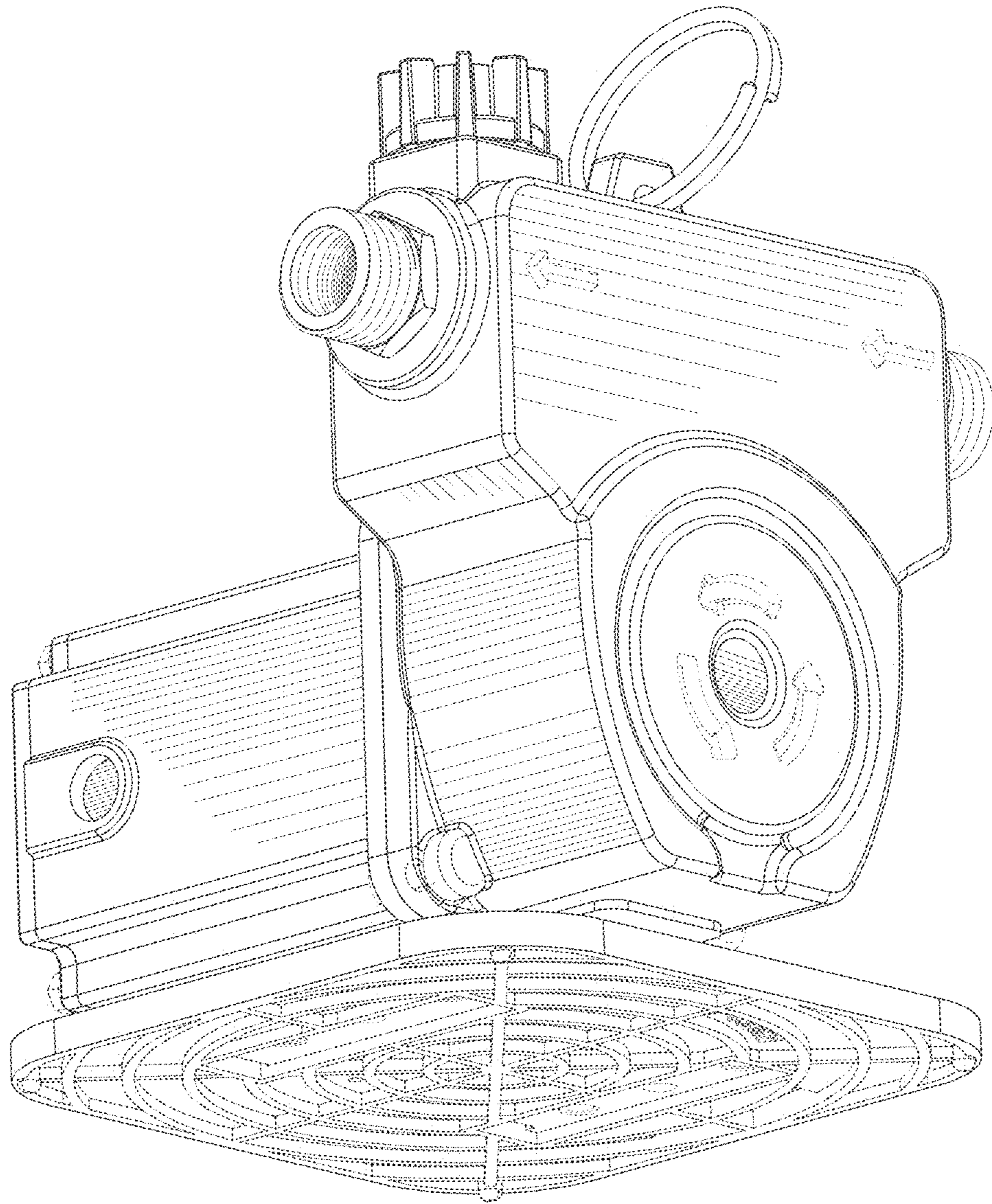


FIG. 10