



US00D884033S

(12) **United States Design Patent**
Sinico

(10) **Patent No.:** **US D884,033 S**

(45) **Date of Patent:** **** May 12, 2020**

(54) **ELECTRO-PUMP**

(71) Applicant: **DAB PUMPS S.P.A.**, Mestrino (IT)

(72) Inventor: **Francesco Sinico**, Montecchio
Maggiore (IT)

(73) Assignee: **Dab Pumps S.p.A.**, Mestrino (IT)

(**) Term: **15 Years**

(21) Appl. No.: **29/659,187**

(22) Filed: **Aug. 7, 2018**

(30) **Foreign Application Priority Data**

Feb. 20, 2018 (EM) 004716330

(51) **LOC (12) Cl.** **15-02**

(52) **U.S. Cl.**
USPC **D15/7**

(58) **Field of Classification Search**

USPC D15/7-9; D23/231, 232
CPC F04B 41/00-41/06; F04B 31/00; F04B
35/00; F04B 53/92; F04B 1/005; F02M
37/04; F02M 37/14

See application file for complete search history.

(56) **References Cited**

U.S. PATENT DOCUMENTS

D589,983 S * 4/2009 Sinico D15/7
D603,870 S * 11/2009 Mehnert D15/7

D623,665 S * 9/2010 Hunnekuhl D15/7
D647,110 S * 10/2011 Pages D15/7
D647,537 S * 10/2011 Mehnert D15/7
D696,695 S * 12/2013 Sofussen D15/7
D696,696 S * 12/2013 Sofussen D15/7
D812,645 S * 3/2018 Sinico D15/7
D834,068 S * 11/2018 Lee D15/7
2017/0074435 A1 * 3/2017 Sinico F16L 23/0283
2017/0089344 A1 * 3/2017 Trentin F04D 1/02
2019/0211831 A1 * 7/2019 Sinico F04D 13/06

* cited by examiner

Primary Examiner — Mitchell I. Siegel

(74) *Attorney, Agent, or Firm* — Cantor Colburn LLP

(57) **CLAIM**

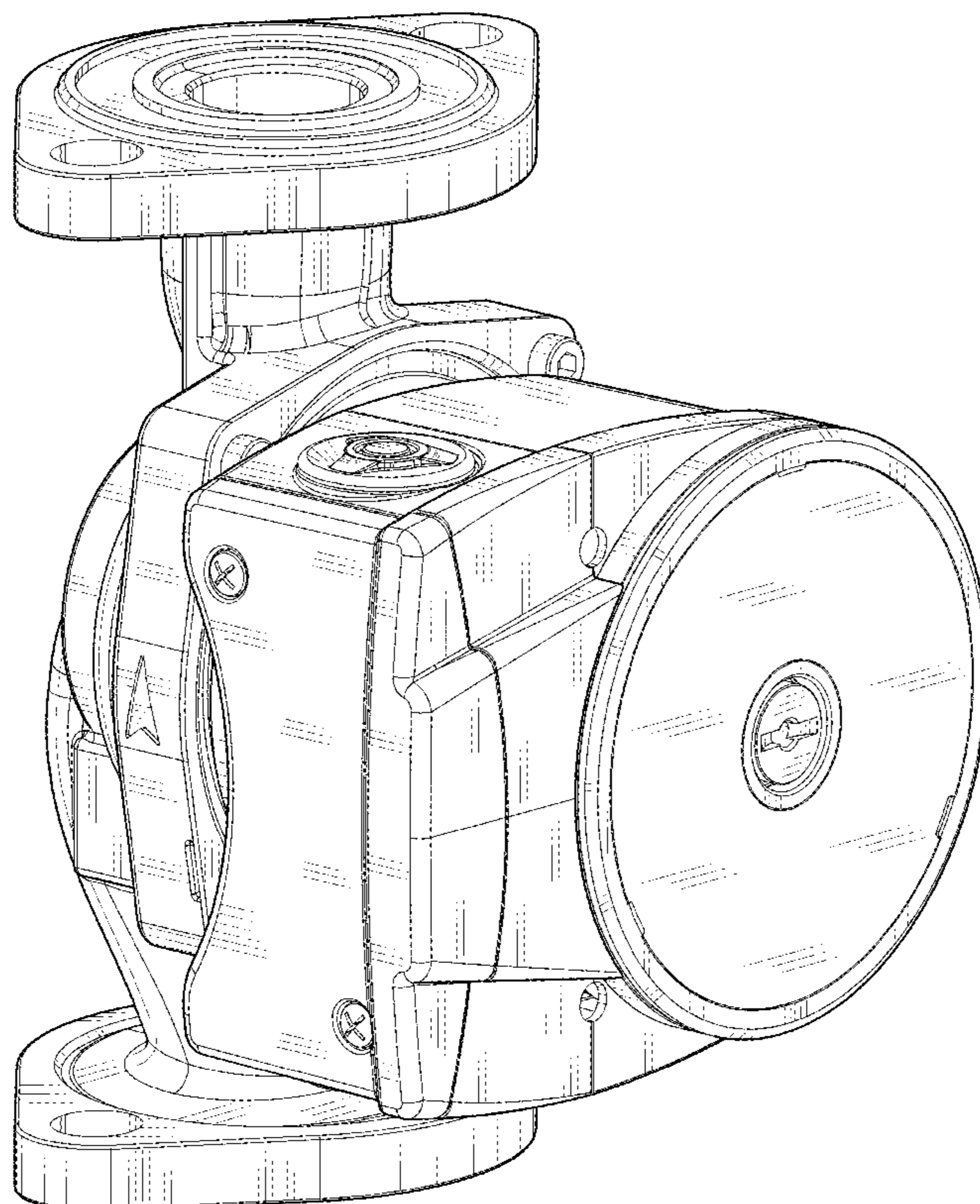
I claim, the ornamental design for an electro-pump, as shown and described.

DESCRIPTION

FIG. 1 is a perspective view of an electro-pump, showing my new design;
FIG. 2 is a front elevational view thereof;
FIG. 3 is a rear elevational view thereof;
FIG. 4 is a left side elevational view thereof;
FIG. 5 is a right side elevational view thereof;
FIG. 6 is a top plan view thereof; and,
FIG. 7 is a bottom plan view thereof.

The broken lines in the drawings depict unclaimed subject matter and form no part of the claimed design.

1 Claim, 7 Drawing Sheets



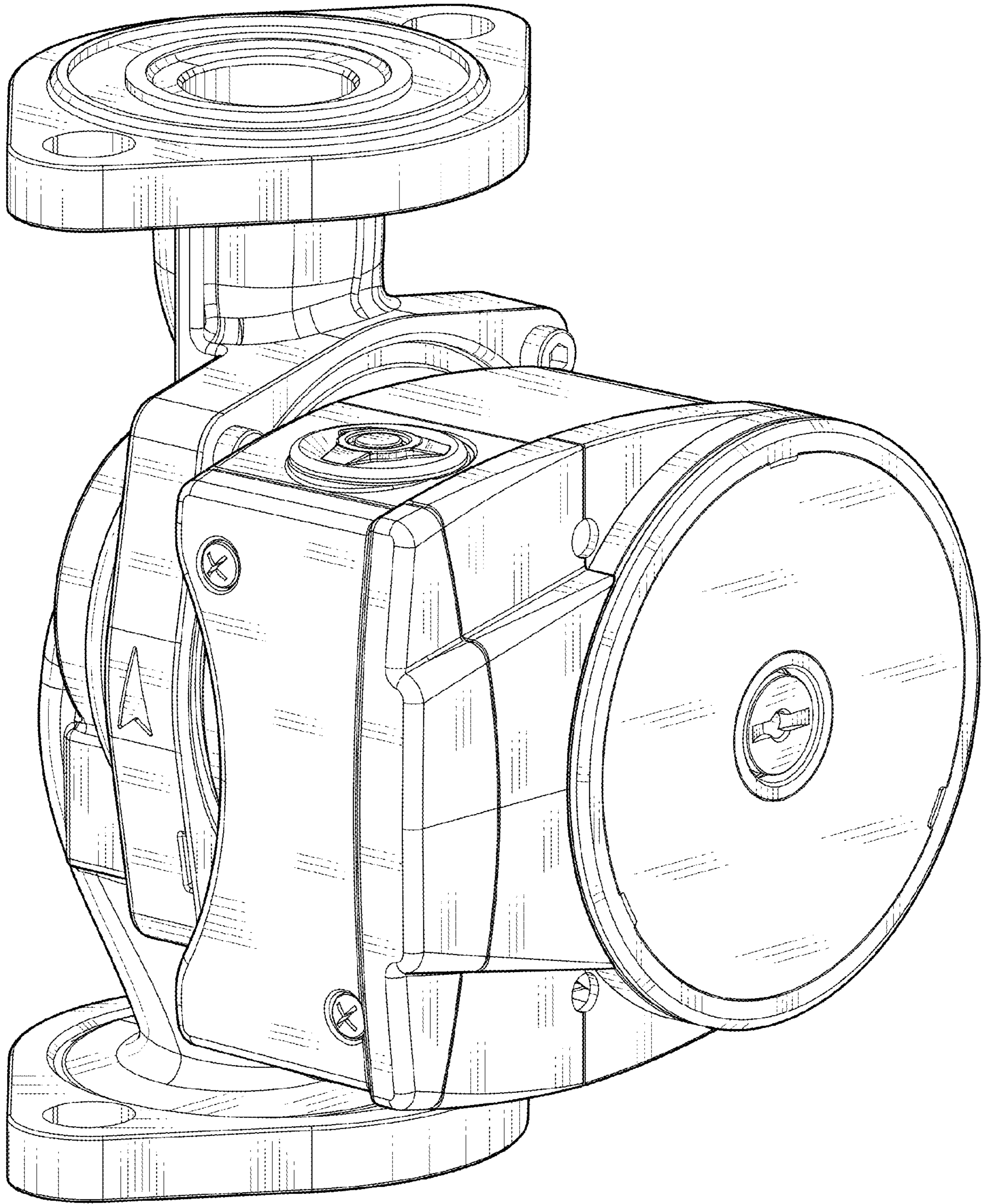


Fig. 1

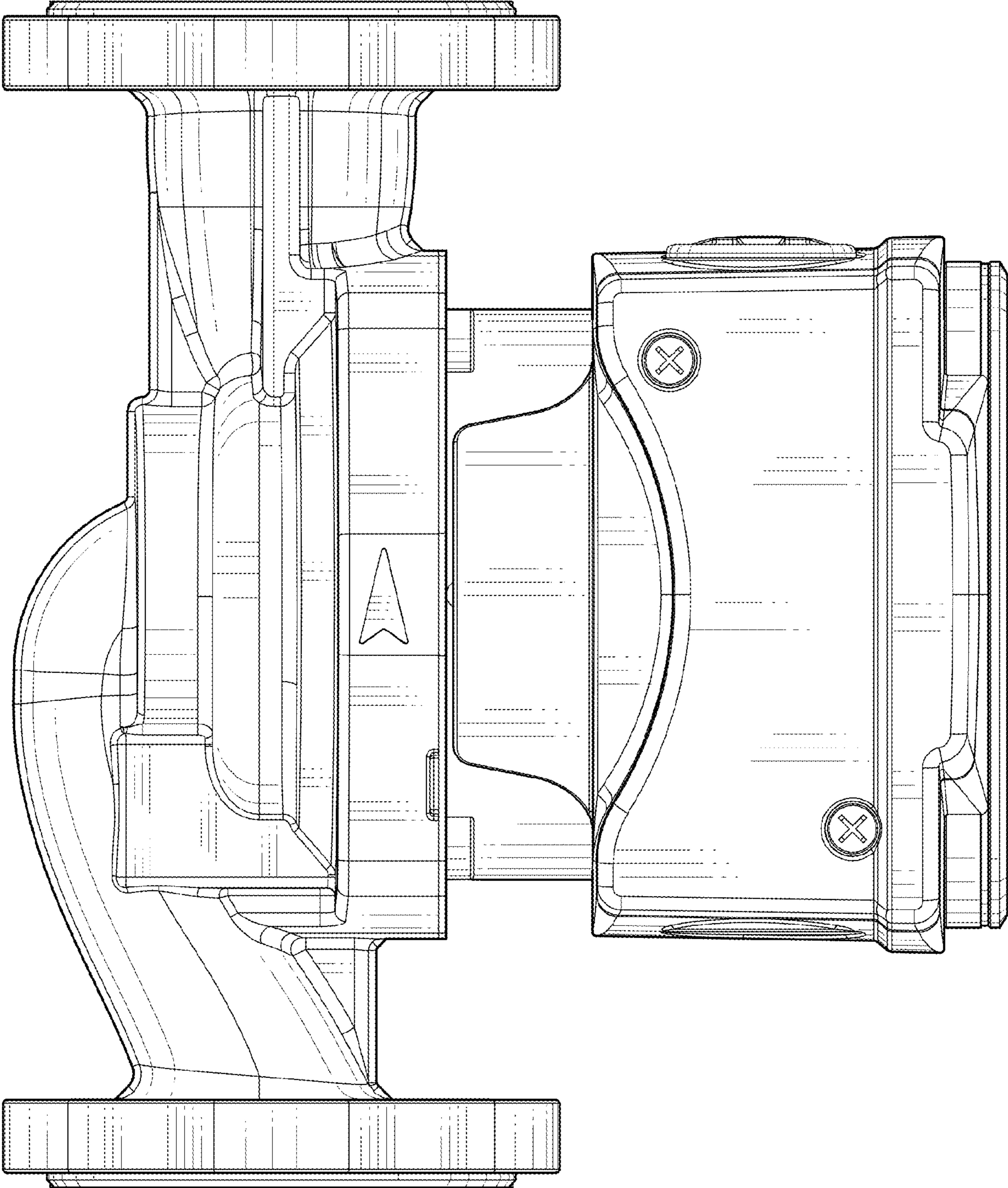


Fig. 2

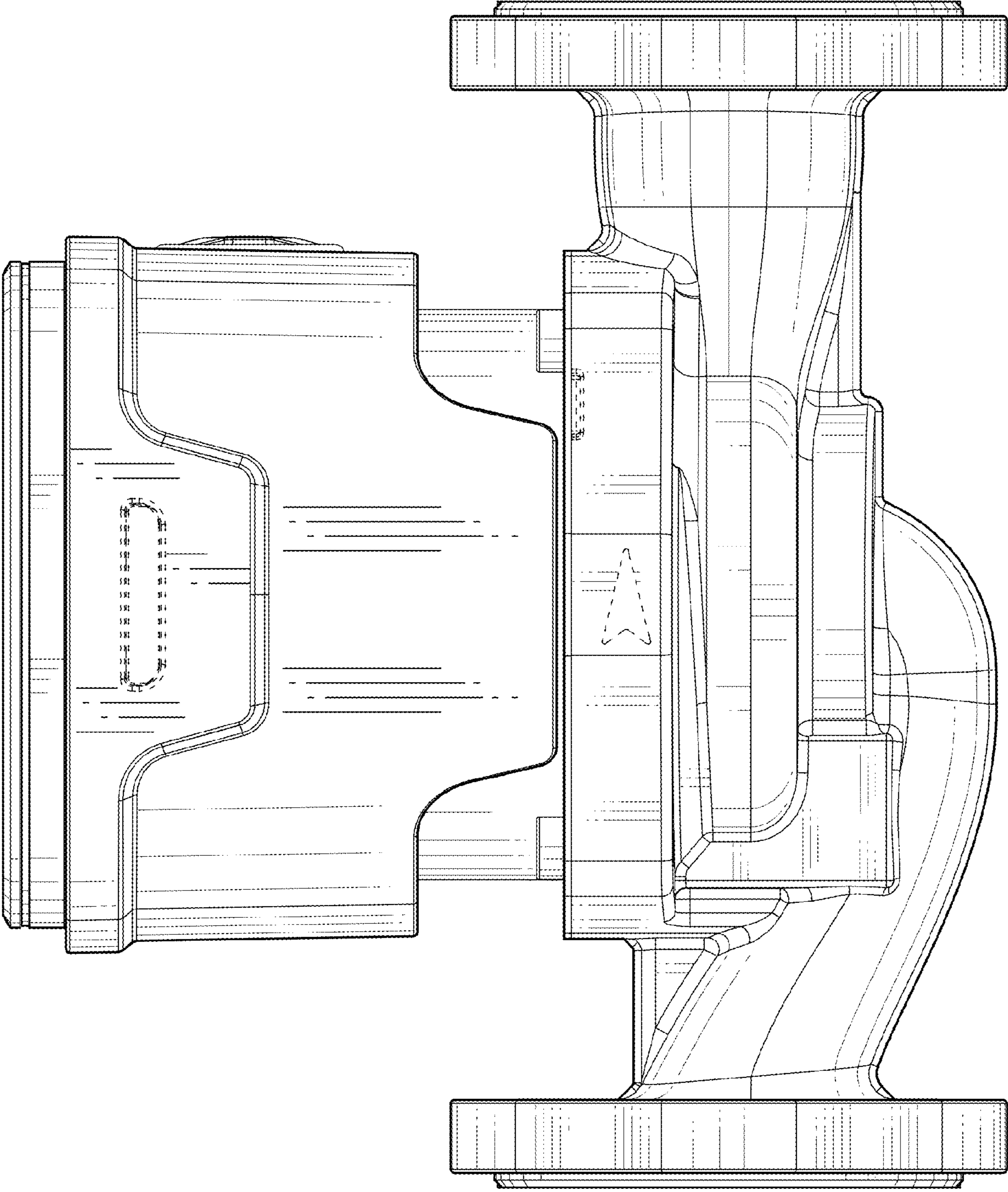


Fig. 3

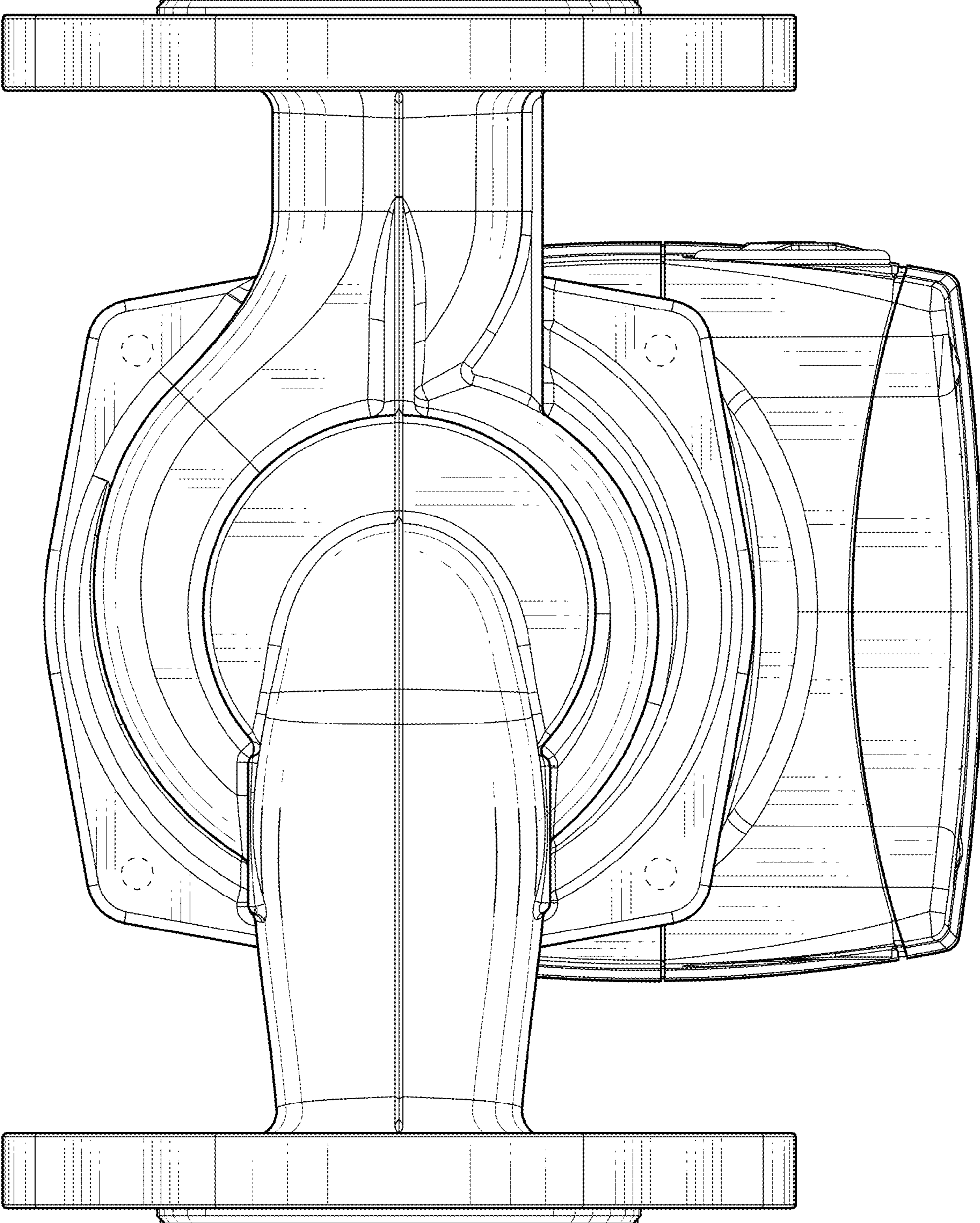


Fig. 4

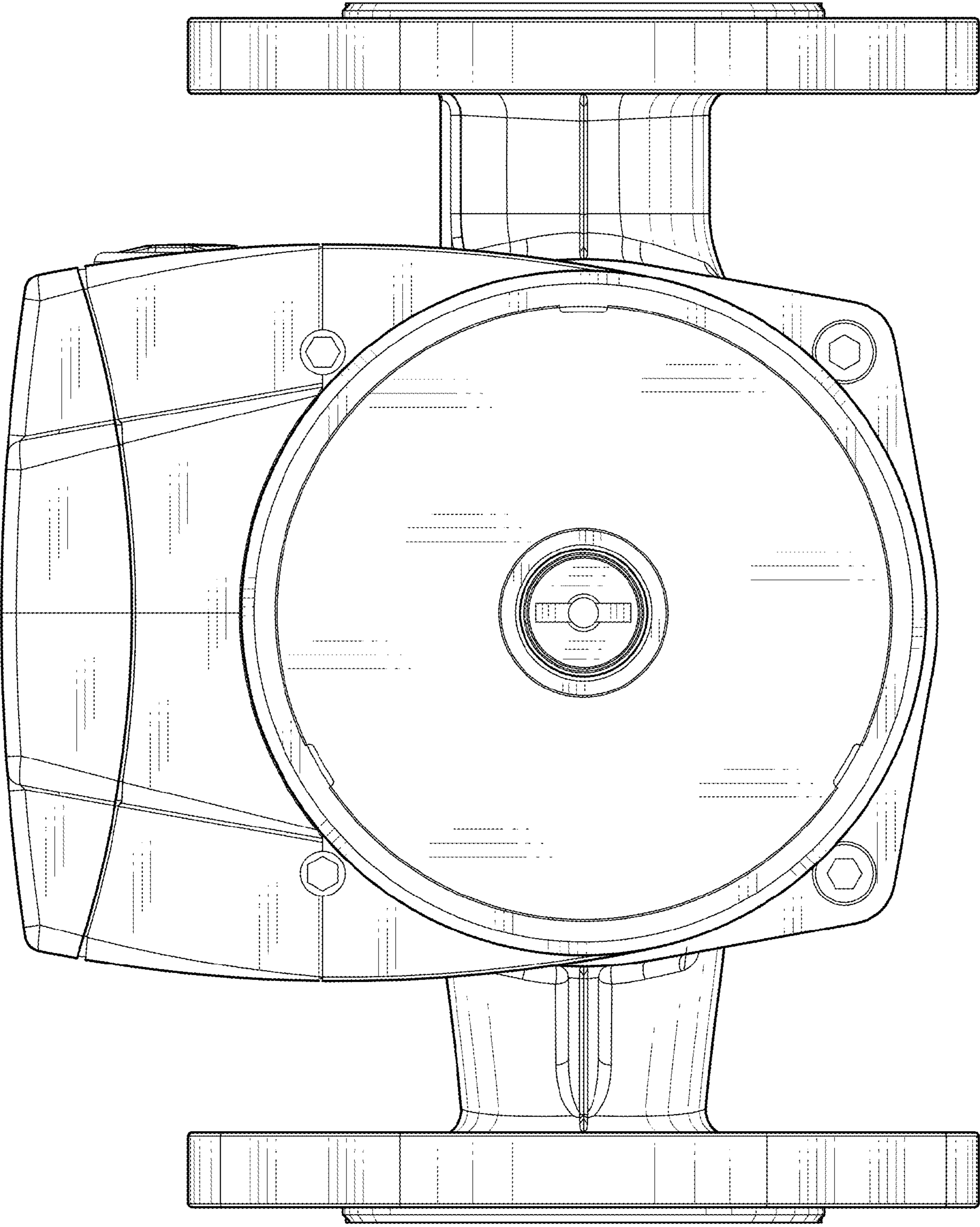


Fig. 5

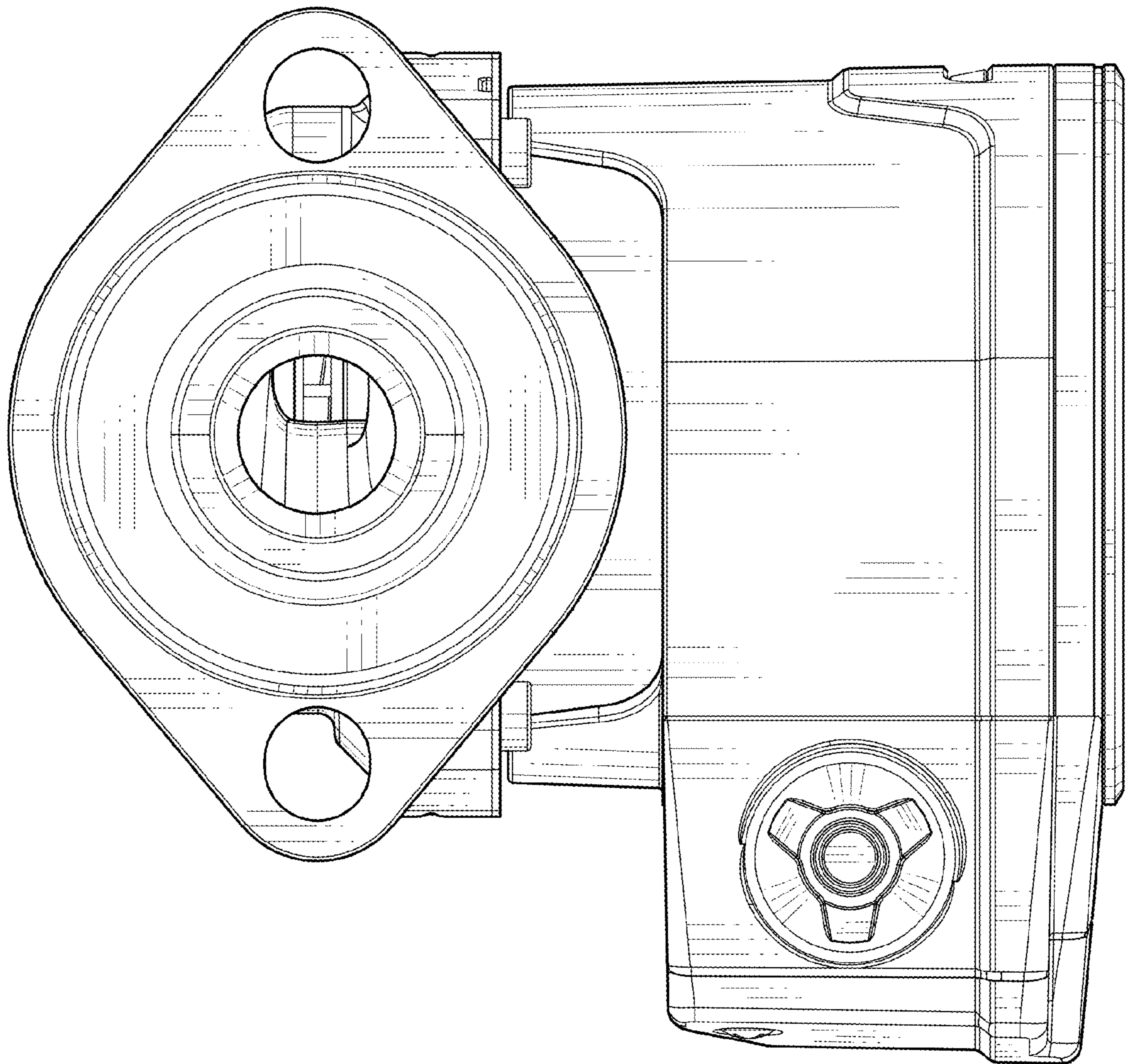


Fig. 6

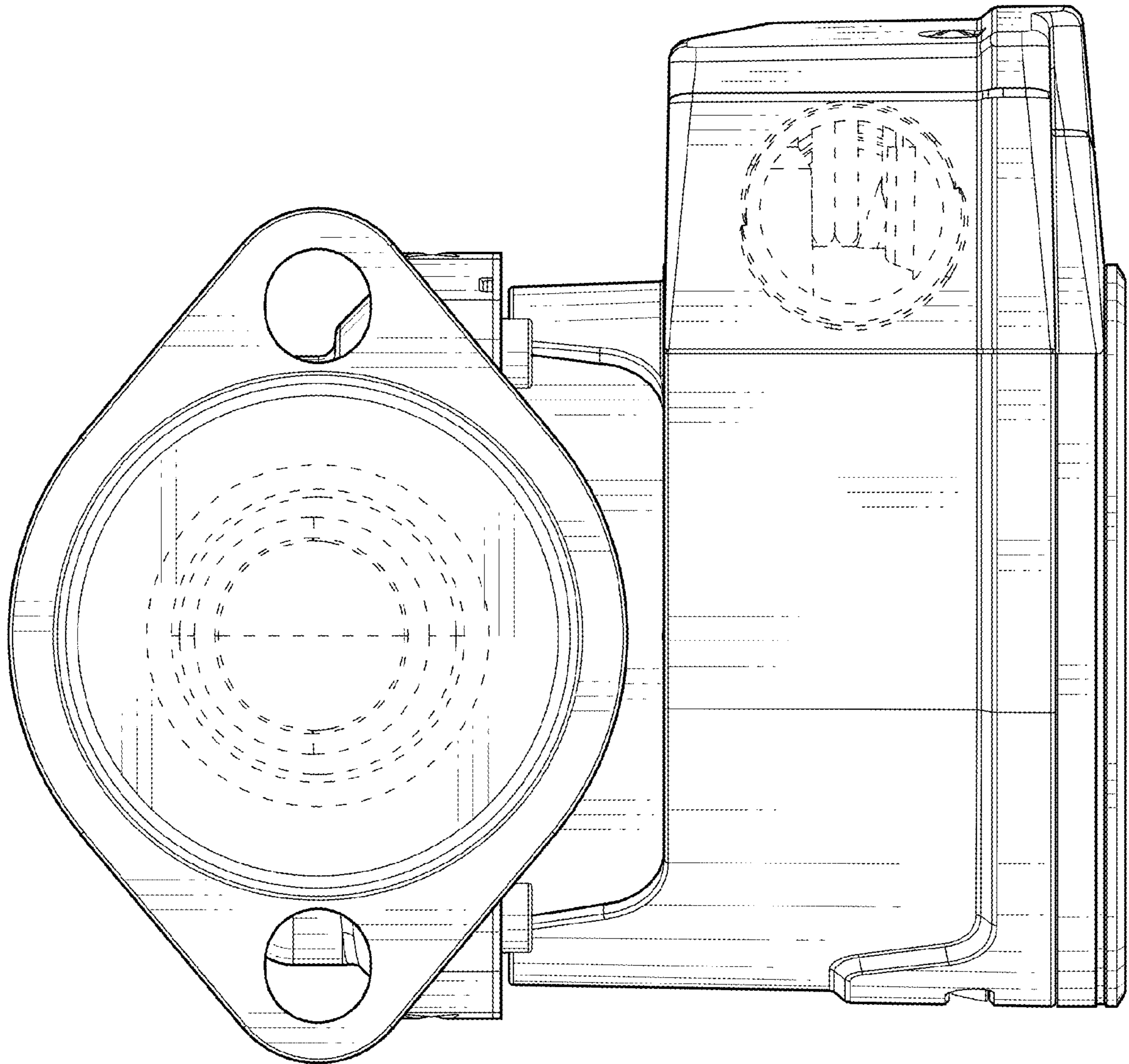


Fig. 7