



US00D884032S

(12) **United States Design Patent**
Huang et al.

(10) **Patent No.:** **US D884,032 S**

(45) **Date of Patent:** **** May 12, 2020**

(54) **SAND FILTER PUMP**

(71) Applicant: **Intex Marketing Ltd.**, Tortola (VG)

(72) Inventors: **Zhi Xiong Huang**, Fujian (CN);
Yonggui Chen, Fujian (CN); **Peilin Chen**, Fujian (CN); **Yaw Yuan Hsu**, Fujian (CN); **James Sener**, Glastonbury, CT (US); **Christopher David Hageman**, Glastonbury, CT (US); **Scott Herman Smith**, Hartford, CT (US)

(73) Assignee: **Intex Marketing Ltd.**, Tortola (VG)

(**) Term: **15 Years**

(21) Appl. No.: **29/656,722**

(22) Filed: **Jul. 16, 2018**

(30) **Foreign Application Priority Data**

Jan. 17, 2018 (CN) 2018 3 0021907

(51) **LOC (12) Cl.** **15-02**

(52) **U.S. Cl.**
USPC **D15/7**

(58) **Field of Classification Search**
USPC D15/7-9
CPC F02M 37/04; F02M 31/14; F04D 29/4286;
F04D 29/22; F04D 29/046; F04D 29/2266; F04D 13/06; F04B 1/005
See application file for complete search history.

(56) **References Cited**

U.S. PATENT DOCUMENTS

D237,011 S * 9/1975 Stroberg et al. D15/7
D262,113 S * 12/1981 Durrum D15/7
D262,114 S * 12/1981 Rowlands D15/7
D268,412 S * 3/1983 Davis D15/7
D306,448 S * 3/1990 Lannoch D15/7

D450,327 S * 11/2001 Mori D15/7
D466,522 S * 12/2002 Huang D15/7
D479,533 S * 9/2003 Song D15/7
D490,442 S * 5/2004 Kuboshima D15/7
D498,241 S * 11/2004 Song D15/7
D498,480 S * 11/2004 Tsai D15/7
D556,780 S * 12/2007 Tazioli D15/7
D591,311 S * 4/2009 Tojo D15/7
D604,332 S * 11/2009 Tokunaga D15/7
D604,745 S * 11/2009 Sinico D15/7
D620,499 S * 7/2010 Sulzer D15/7
D621,418 S * 8/2010 Leu D15/7
D623,665 S * 9/2010 Hunnekuhl D15/7
D644,555 S * 9/2011 Dixon D15/7

(Continued)

OTHER PUBLICATIONS

Intex, Krystal Clear Sand Filter Pumps, 2014 Above Ground Pool (AGP) Catalog, Copyright 2013, 3 pages.

(Continued)

Primary Examiner — Mitchell I. Siegel

(74) *Attorney, Agent, or Firm* — Faegre Drinker Biddle & Reath LLP

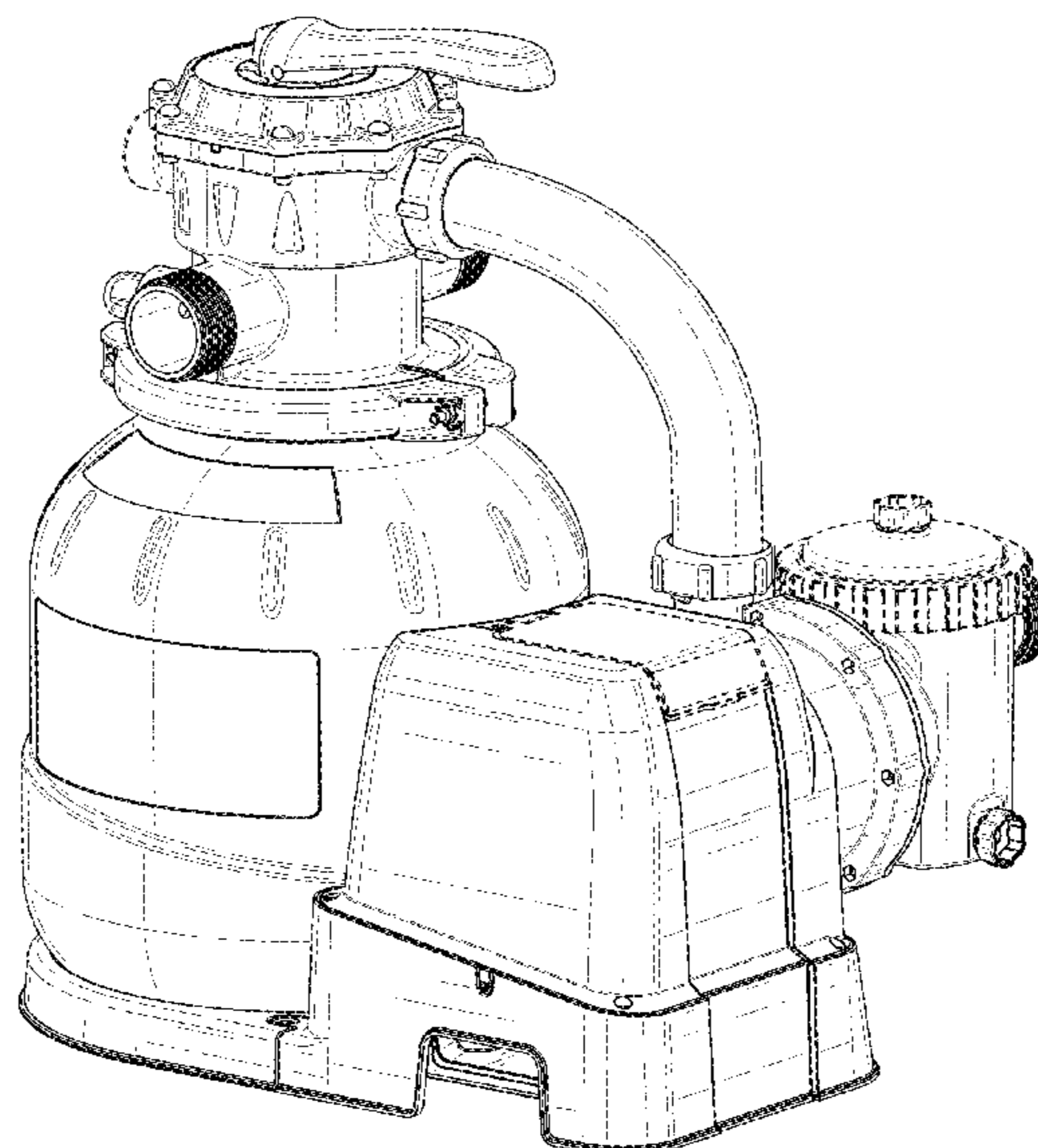
(57) **CLAIM**

We claim the ornamental design for a sand filter pump, as shown and described.

DESCRIPTION

FIG. 1 is a front perspective view of a sand filter pump; FIG. 2 is a rear perspective view thereof; FIG. 3 is a front elevational view thereof; FIG. 4 is a rear elevational view thereof; FIG. 5 is a left side elevational view thereof; FIG. 6 is a right side elevational view thereof; FIG. 7 is a top plan view thereof; and, FIG. 8 is a bottom plan view thereof. The broken lines in FIGS. 1-8 represent portions of the sand filter pump that form no part of the claimed design.

1 Claim, 8 Drawing Sheets



(56)

References Cited

U.S. PATENT DOCUMENTS

D656,518 S * 3/2012 Varini D15/7
D699,763 S * 2/2014 Fitch D15/7
D700,211 S * 2/2014 Alexander D15/7
D719,192 S * 12/2014 Schlenker D15/7
D721,390 S * 1/2015 Walter D15/7
D736,265 S * 8/2015 Walter D15/7
D763,322 S * 8/2016 Haugaard D15/7
D813,911 S * 3/2018 Luke D15/7
10,253,787 B2 * 4/2019 Walter F04F 5/16

OTHER PUBLICATIONS

Intex, Krystal Clear Sand Filter Pumps, 2016 Above Ground Pool
(AGP) Catalog, Copyright 2015, 5 pages.

* cited by examiner

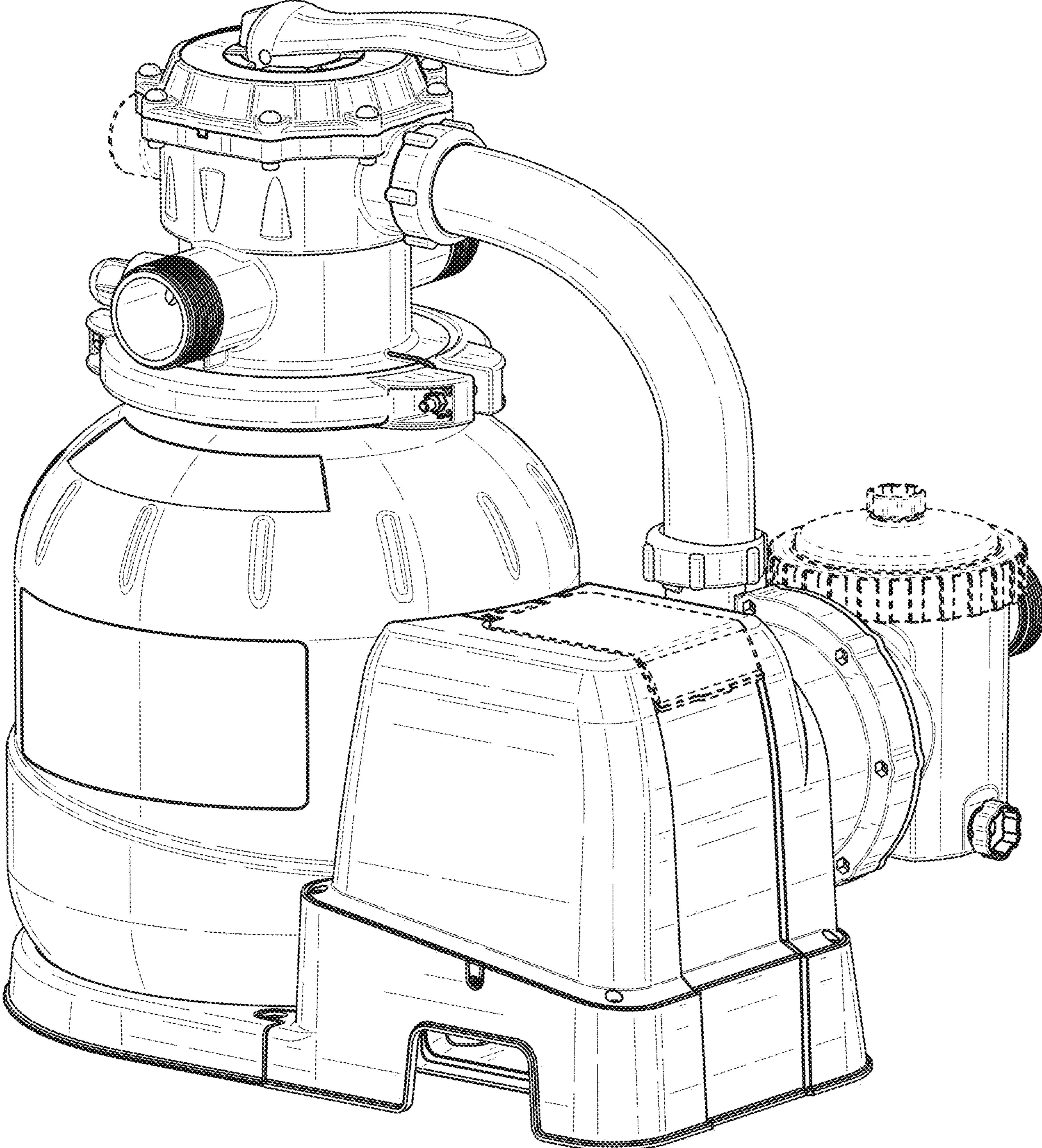


FIG. 1

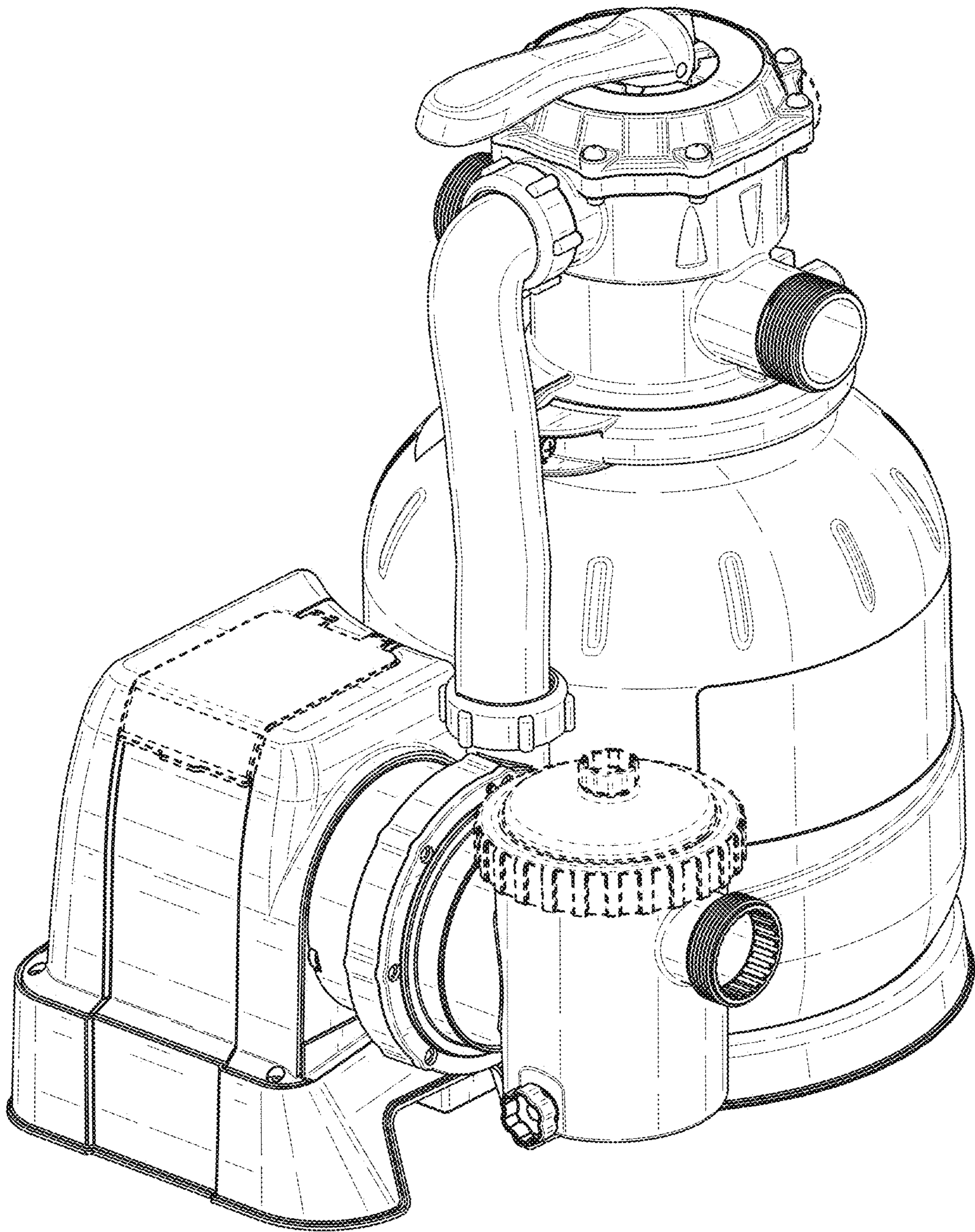


FIG. 2

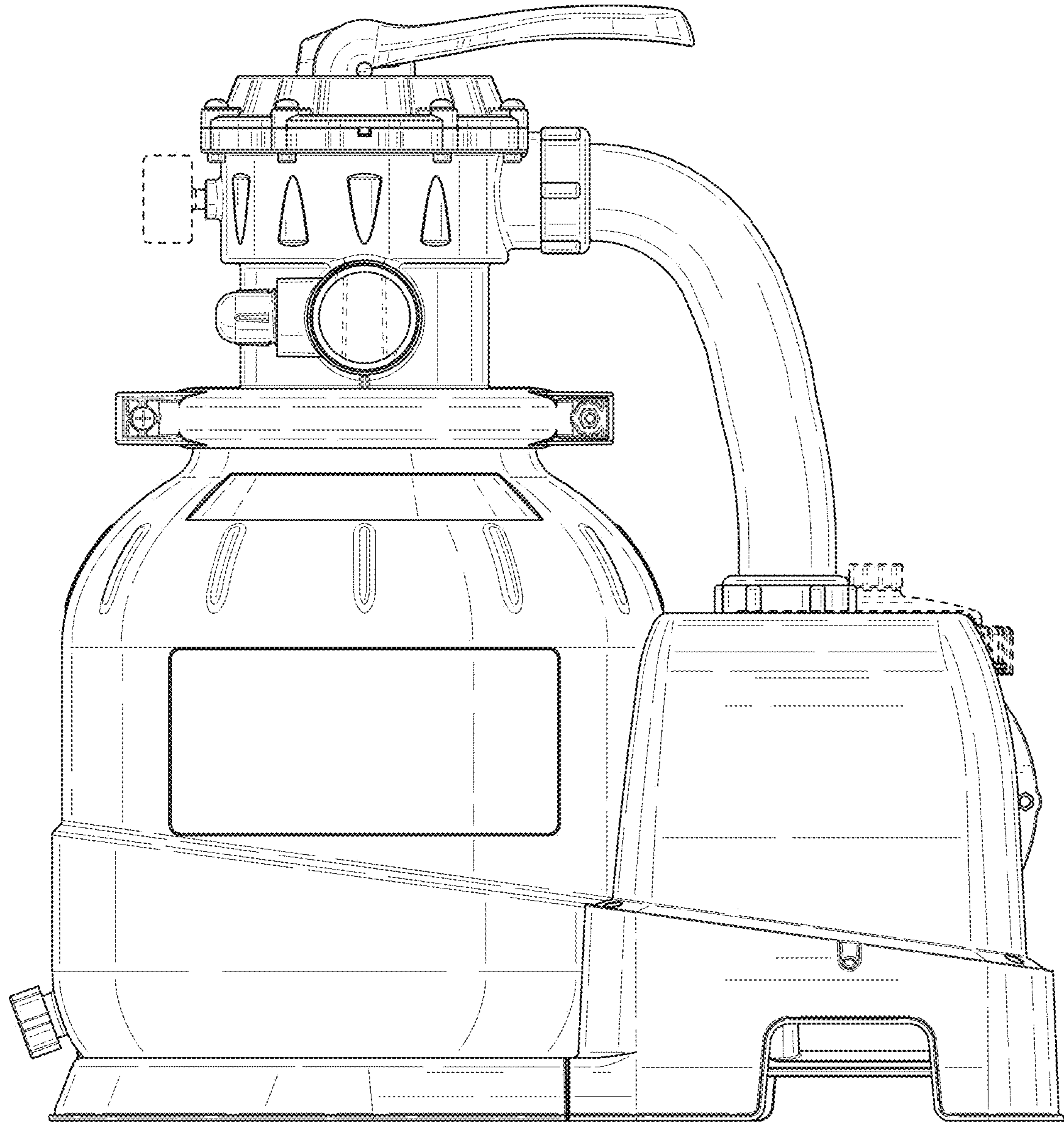


FIG. 3

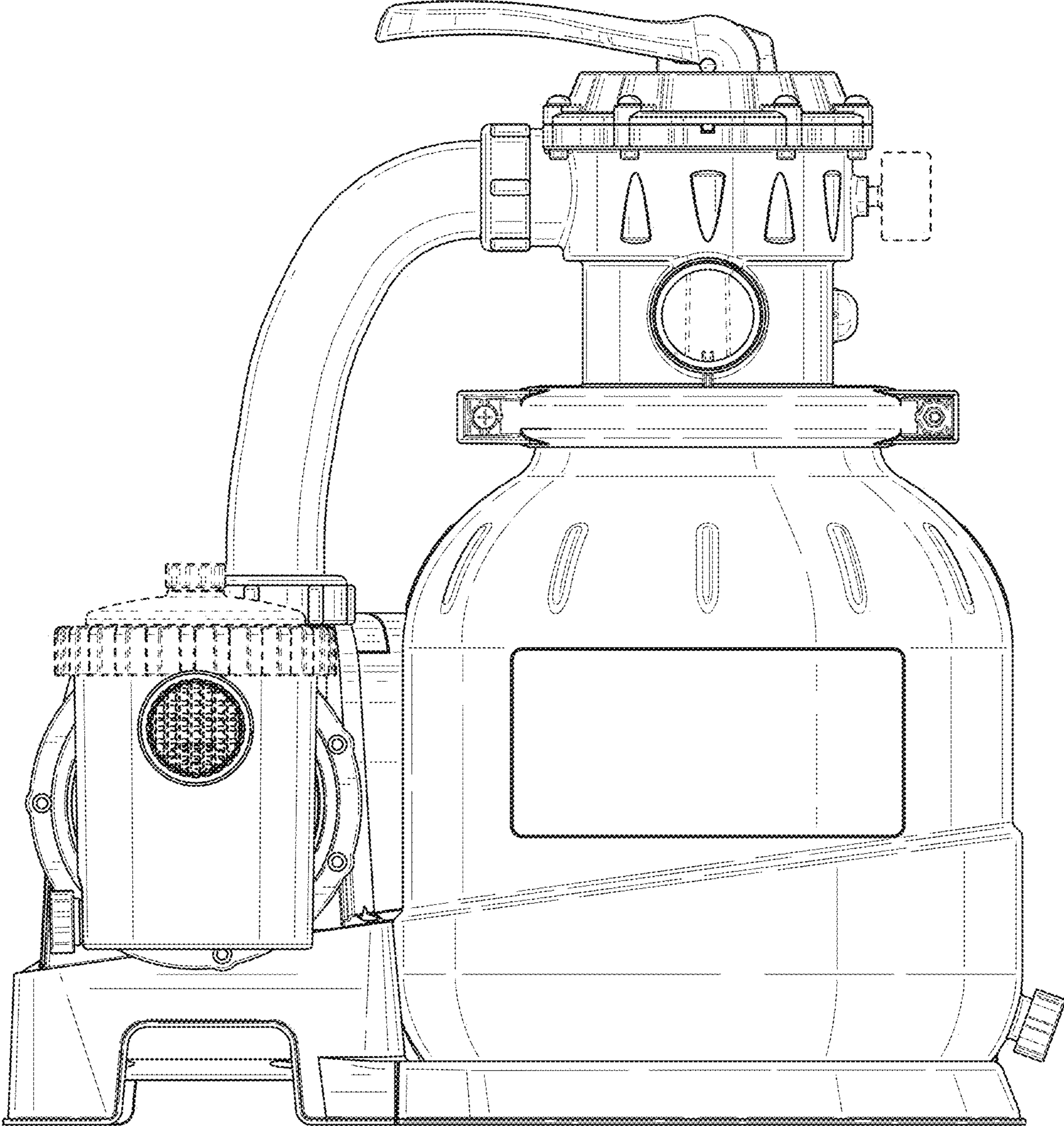


FIG. 4

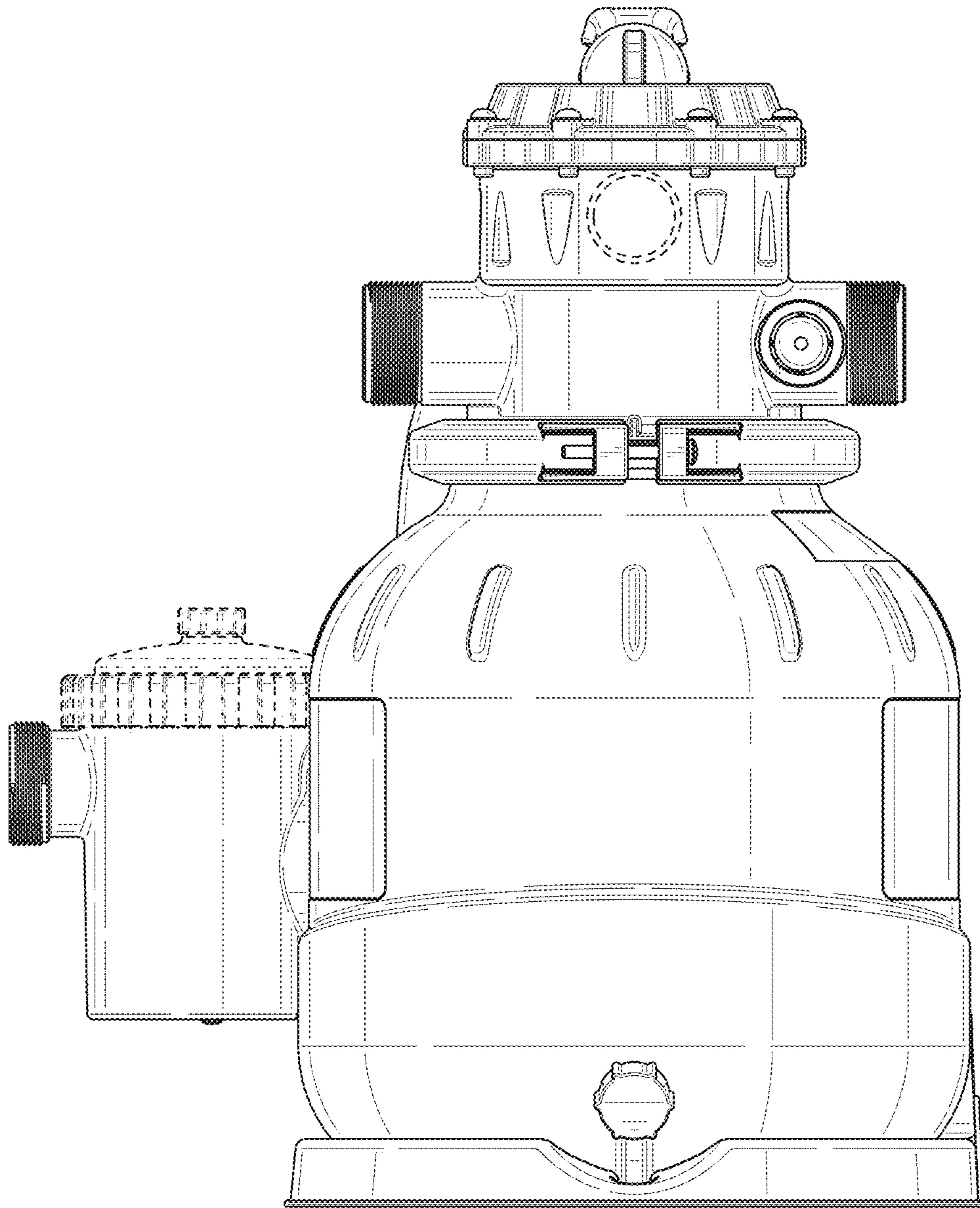


FIG. 5

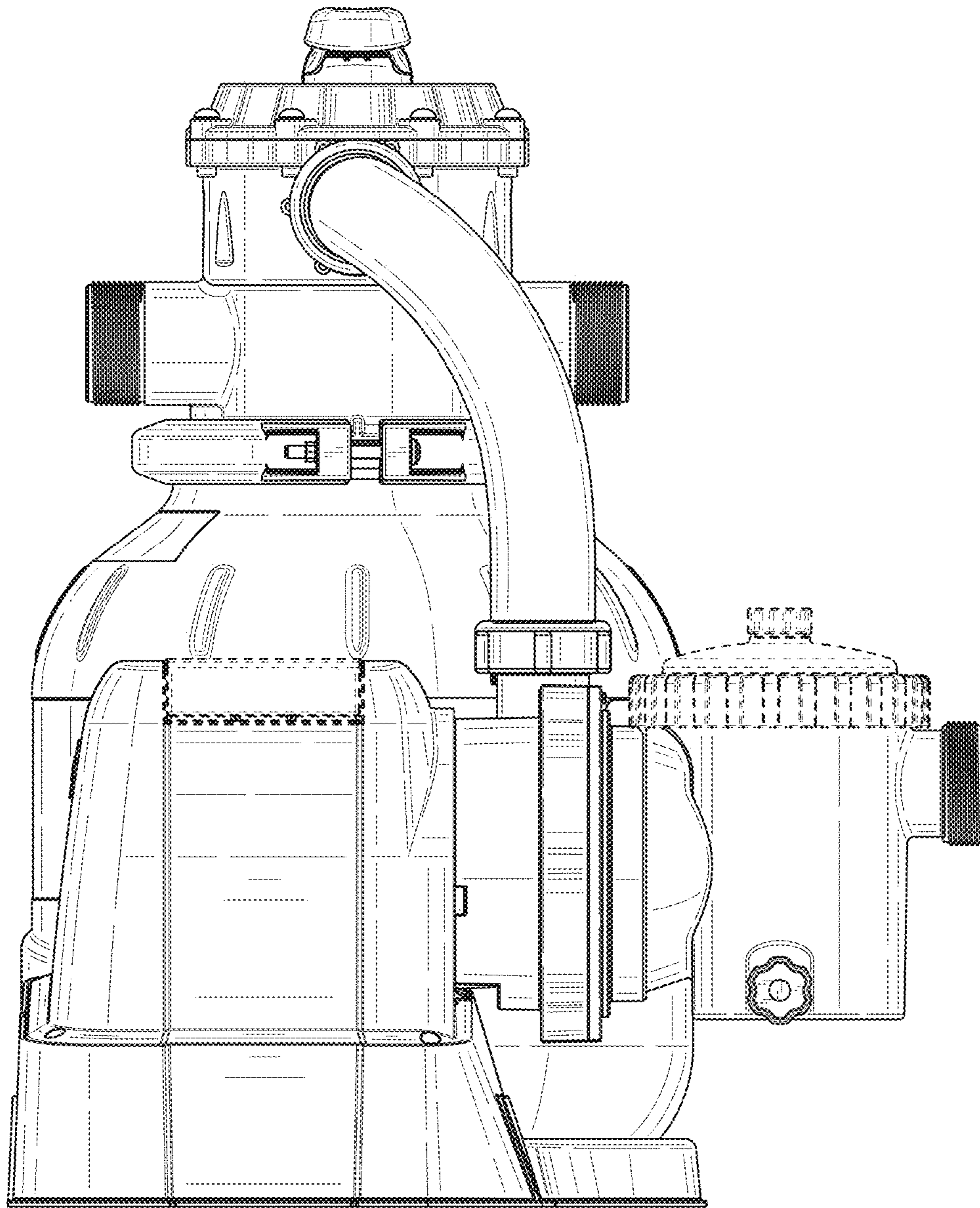


FIG. 6

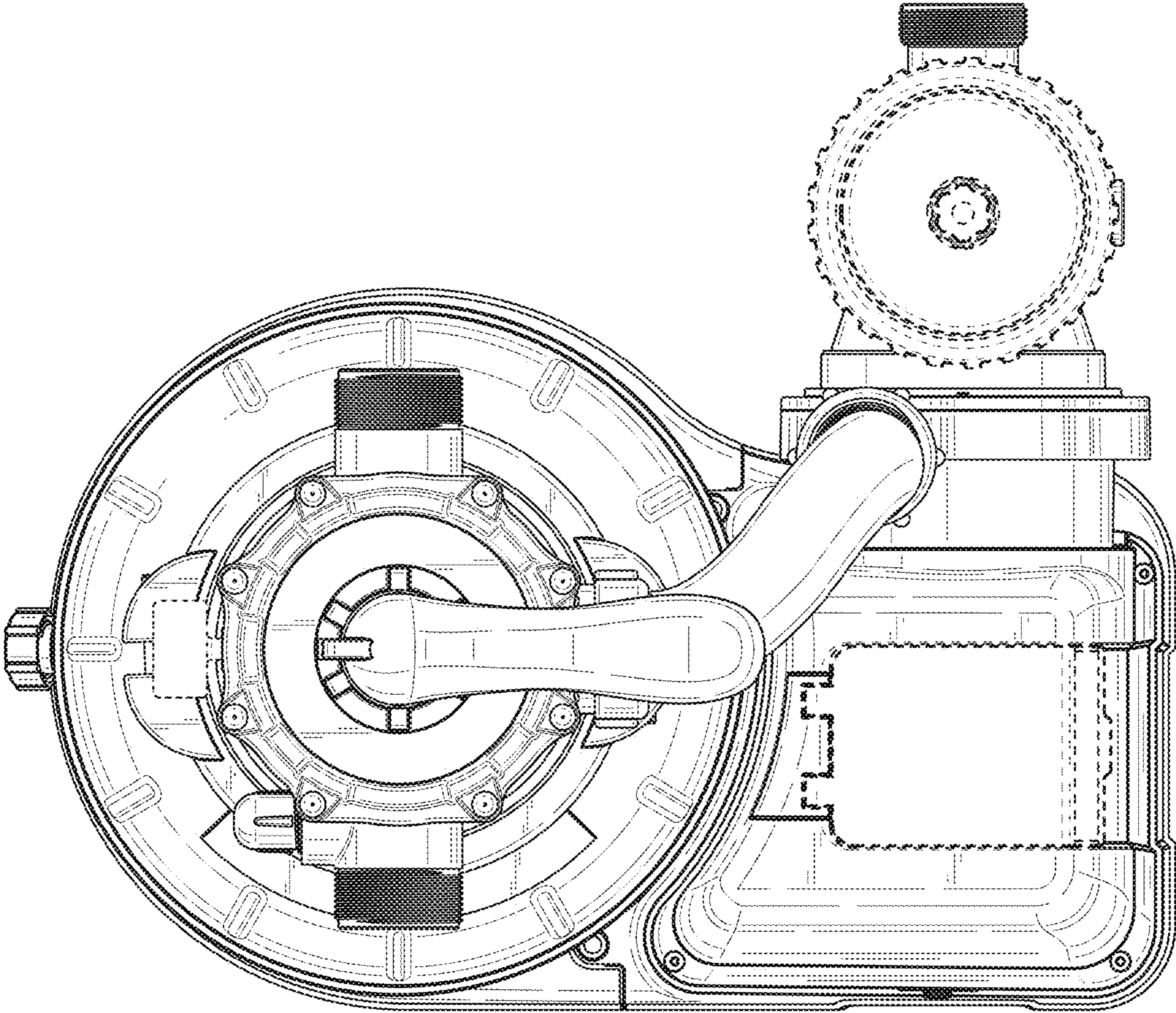


FIG. 7

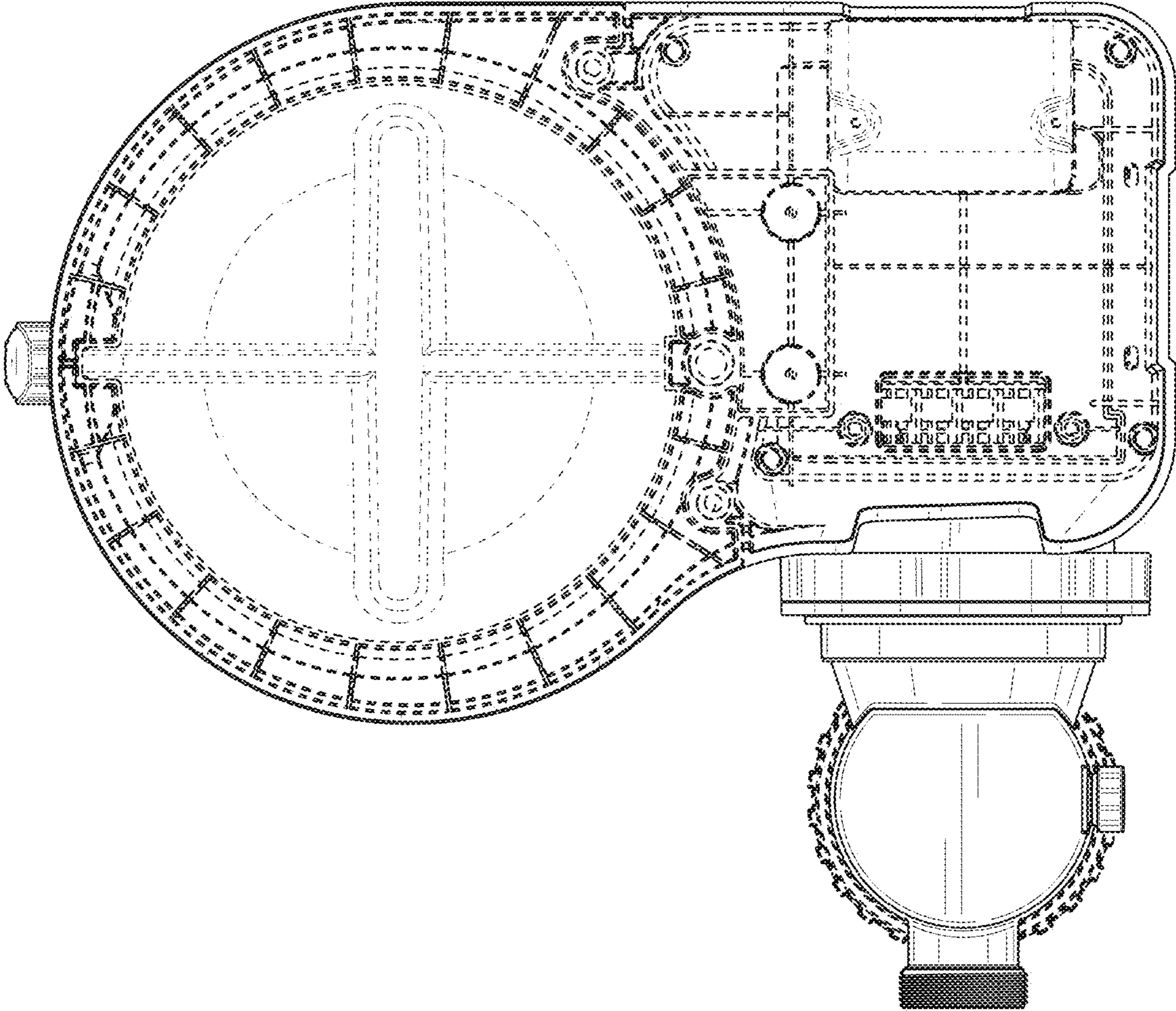


FIG. 8

UNITED STATES PATENT AND TRADEMARK OFFICE
CERTIFICATE OF CORRECTION

PATENT NO. : D884,032 S
APPLICATION NO. : 29/656722
DATED : May 12, 2020
INVENTOR(S) : Zhi Xiong Huang et al.

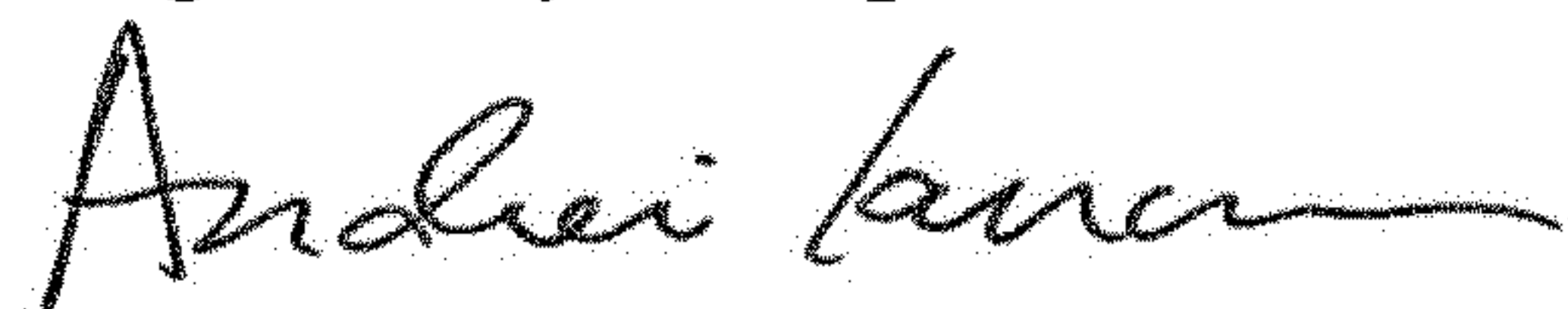
Page 1 of 1

It is certified that error appears in the above-identified patent and that said Letters Patent is hereby corrected as shown below:

On the Title Page

Column 1, under Foreign Application Priority Data item (30), the foreign priority reference number should read "201830021907.5".

Signed and Sealed this
Eighth Day of September, 2020



Andrei Iancu
Director of the United States Patent and Trademark Office