



US00D884031S

(12) **United States Design Patent**  
**Huang et al.**

(10) **Patent No.:** **US D884,031 S**

(45) **Date of Patent:** **\*\* May 12, 2020**

(54) **SAND FILTER PUMP**

(71) Applicant: **Intex Marketing Ltd.**, Tortola (VG)

(72) Inventors: **Zhi Xiong Huang**, Fujian (CN);  
**Yonggui Chen**, Fujian (CN); **Peilin Chen**, Fujian (CN); **Yaw Yuan Hsu**, Fujian (CN); **James Sener**, Glastonbury, CT (US); **Christopher David Hageman**, Glastonbury, CT (US); **Scott Herman Smith**, Hartford, CT (US)

(73) Assignee: **Intex Marketing Ltd.**, Tortola (VG)

(\*\*) Term: **15 Years**

(21) Appl. No.: **29/656,718**

(22) Filed: **Jul. 16, 2018**

(30) **Foreign Application Priority Data**

Jan. 17, 2018 (CN) ..... 2018 3 0021907

(51) **LOC (12) Cl.** ..... **15-02**

(52) **U.S. Cl.**  
USPC ..... **D15/7**

(58) **Field of Classification Search**  
USPC ..... D15/7-9  
CPC .... F02M 37/04; F02M 31/14; F04D 29/4286;  
F04D 29/22; F04D 29/046; F04D 29/2266; F04D 13/06; F04B 1/005  
See application file for complete search history.

(56) **References Cited**

**U.S. PATENT DOCUMENTS**

D237,011 S \* 9/1975 Stroberg et al. .... D15/7  
D262,113 S \* 12/1981 Durrum ..... D15/7  
D262,114 S \* 12/1981 Rowlands ..... D15/7  
D268,412 S \* 3/1983 Davis ..... D15/7  
D306,448 S \* 3/1990 Lannoch ..... D15/7

D450,327 S \* 11/2001 Mori ..... D15/7  
D466,522 S \* 12/2002 Huang ..... D15/7  
D479,533 S \* 9/2003 Song ..... D15/7  
D490,442 S \* 5/2004 Kuboshima ..... D15/7  
D498,241 S \* 11/2004 Song ..... D15/7  
D498,480 S \* 11/2004 Tsai ..... D15/7  
D556,780 S \* 12/2007 Tazioli ..... D15/7  
D591,311 S \* 4/2009 Tojo ..... D15/7  
D604,332 S \* 11/2009 Tokunaga ..... D15/7  
D604,745 S \* 11/2009 Sinico ..... D15/7  
D620,499 S \* 7/2010 Sulzer ..... D15/7  
D621,418 S \* 8/2010 Leu ..... D15/7  
D623,665 S \* 9/2010 Hunnekuhl ..... D15/7  
D644,555 S \* 9/2011 Dixon ..... D15/7

(Continued)

**OTHER PUBLICATIONS**

Intex, Krystal Clear Sand Filter Pumps, 2014 Above Ground Pool (AGP) Catalog, Copyright 2013, 3 pages.

(Continued)

*Primary Examiner* — Mitchell I. Siegel

(74) *Attorney, Agent, or Firm* — Faegre Drinker Biddle & Reath LLP

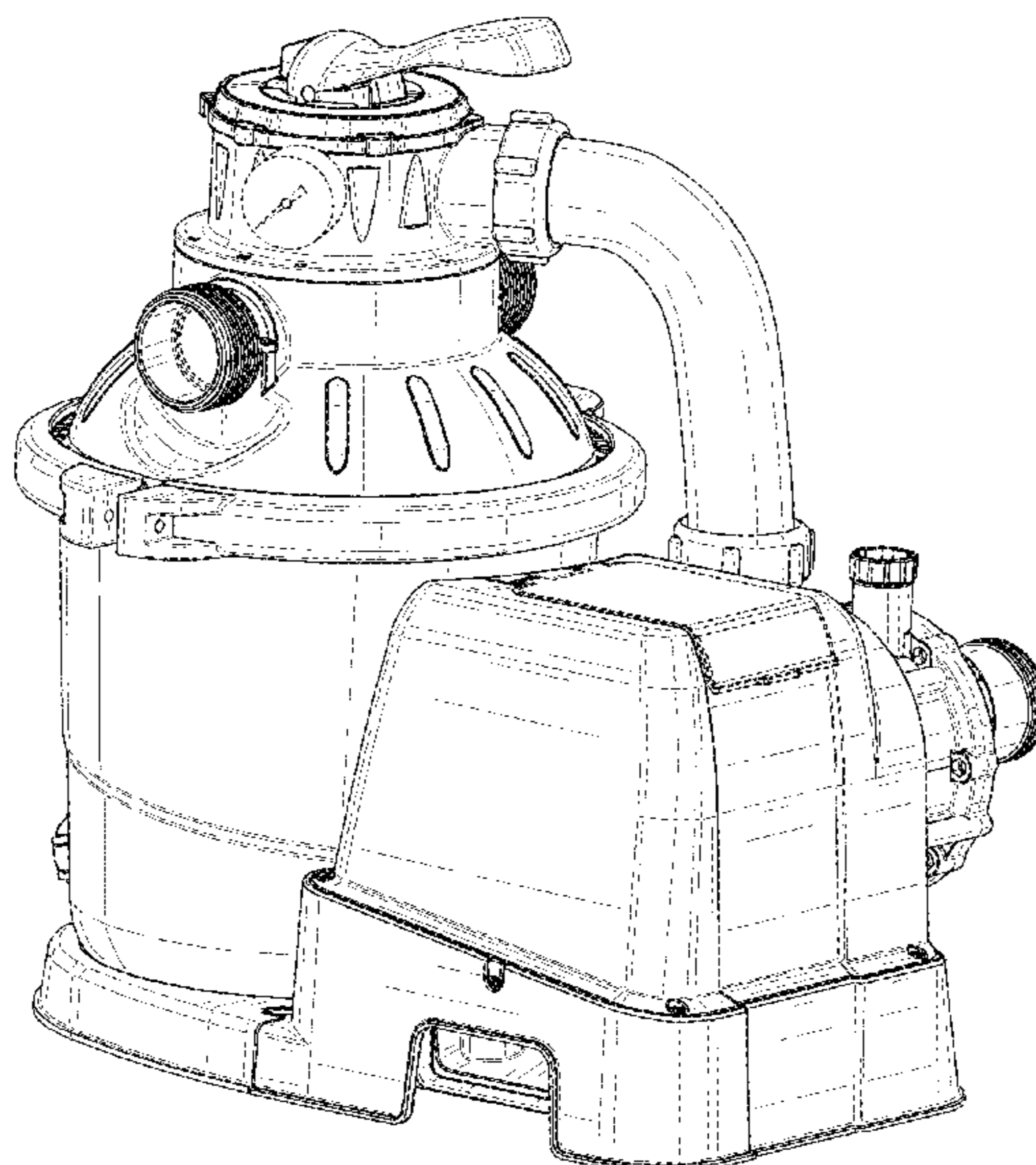
(57) **CLAIM**

We claim the ornamental design for a sand filter pump, as shown and described.

**DESCRIPTION**

FIG. 1 is a front perspective view of a sand filter pump; FIG. 2 is a rear perspective view thereof; FIG. 3 is a front elevational view thereof; FIG. 4 is a rear elevational view thereof; FIG. 5 is a left side elevational view thereof; FIG. 6 is a right side elevational view thereof; FIG. 7 is a top plan view thereof; and, FIG. 8 is a bottom plan view thereof. The broken lines in FIGS. 1-8 represent portions of the sand filter pump that form no part of the claimed design.

**1 Claim, 8 Drawing Sheets**



(56)

**References Cited**

U.S. PATENT DOCUMENTS

D656,518 S \* 3/2012 Varini ..... D15/7  
D699,763 S \* 2/2014 Fitch ..... D15/7  
D700,211 S \* 2/2014 Alexander ..... D15/7  
D719,192 S \* 12/2014 Schlenker ..... D15/7  
D721,390 S \* 1/2015 Walter ..... D15/7  
D736,265 S \* 8/2015 Walter ..... D15/7  
D763,322 S \* 8/2016 Haugaard ..... D15/7  
D813,911 S \* 3/2018 Luke ..... D15/7  
10,253,787 B2 \* 4/2019 Walter ..... F04F 5/16

OTHER PUBLICATIONS

Intex, Krystal Clear Sand Filter Pumps, 2016 Above Ground Pool  
(AGP) Catalog, Copyright 2015, 5 pages.

\* cited by examiner

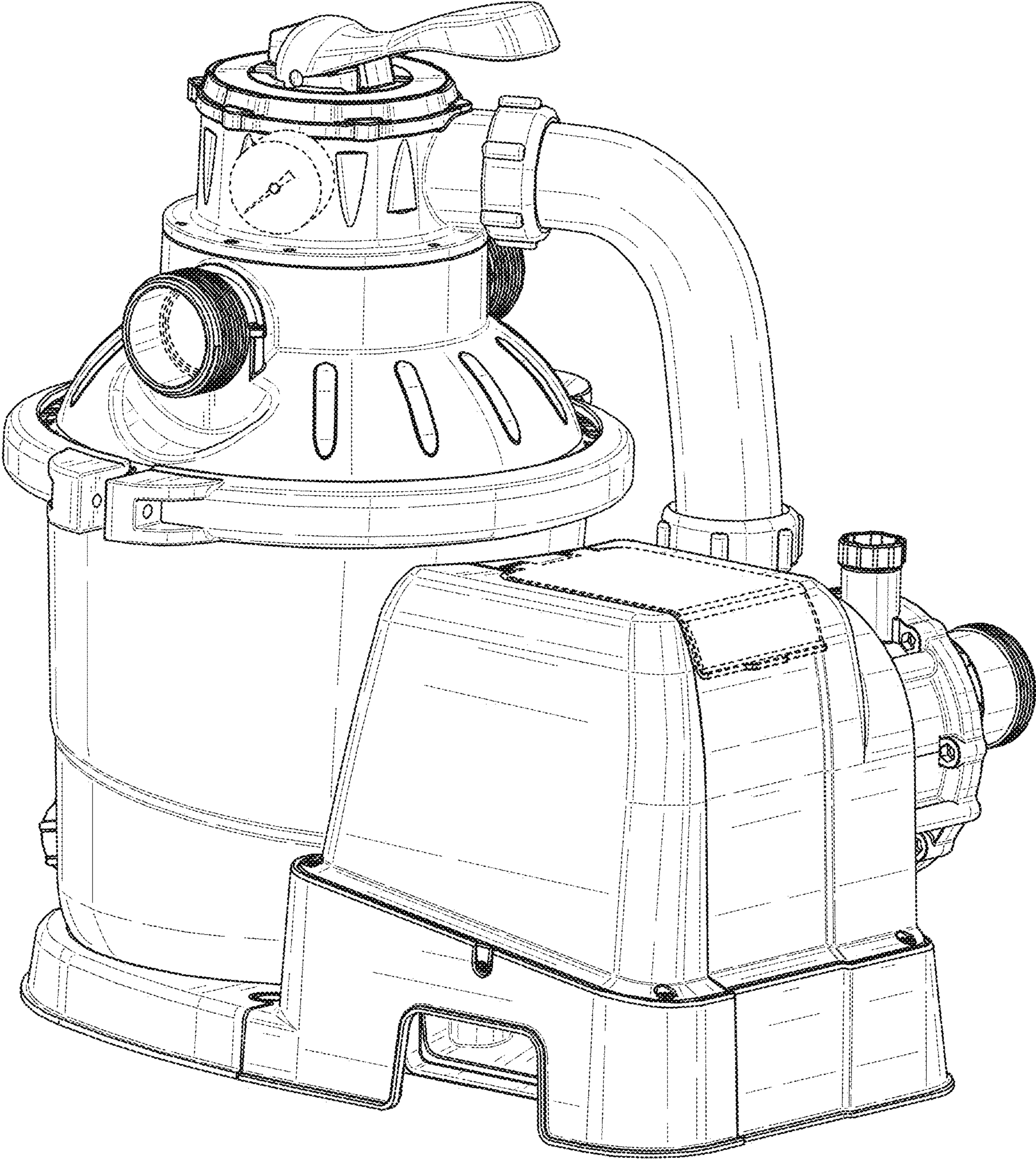


FIG. 1

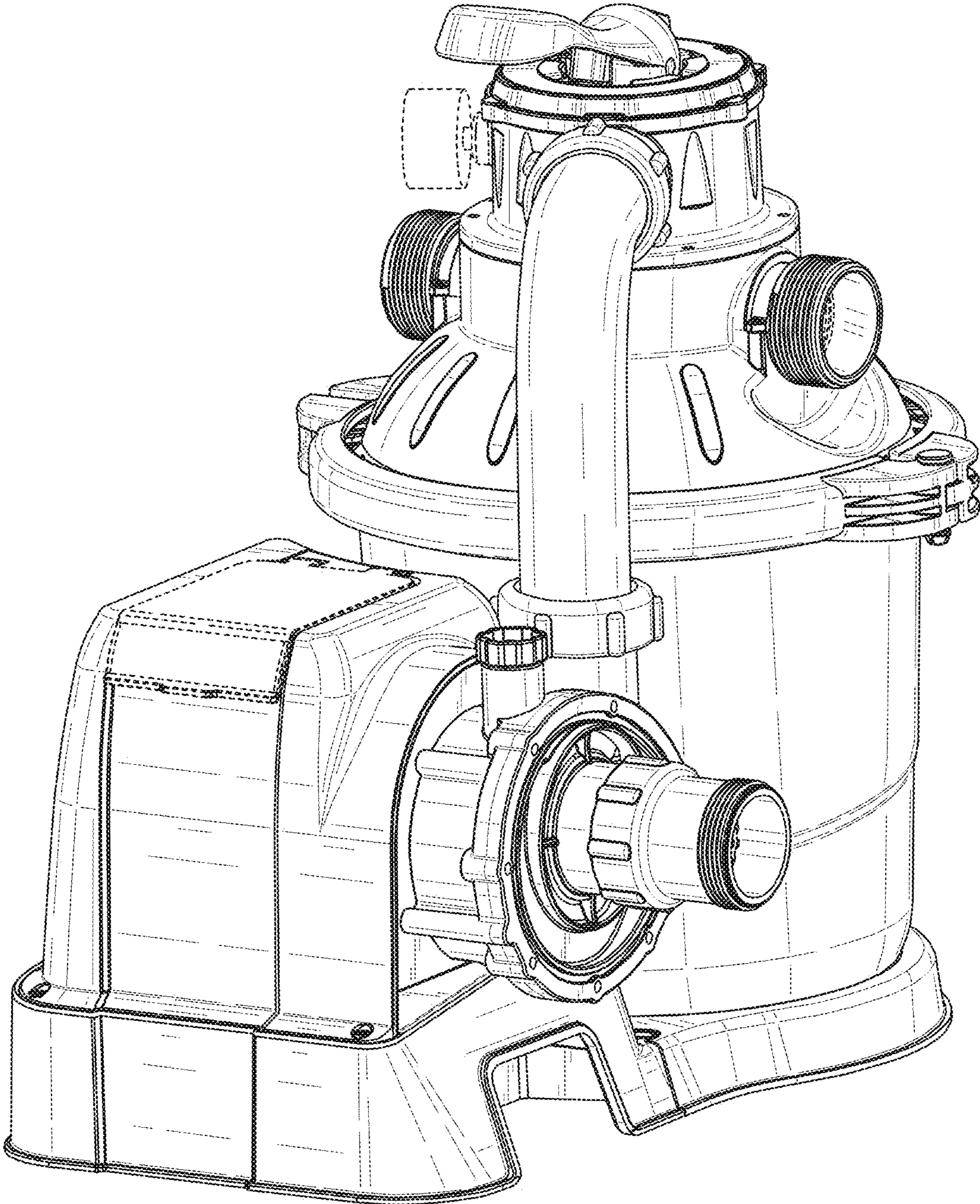


FIG. 2

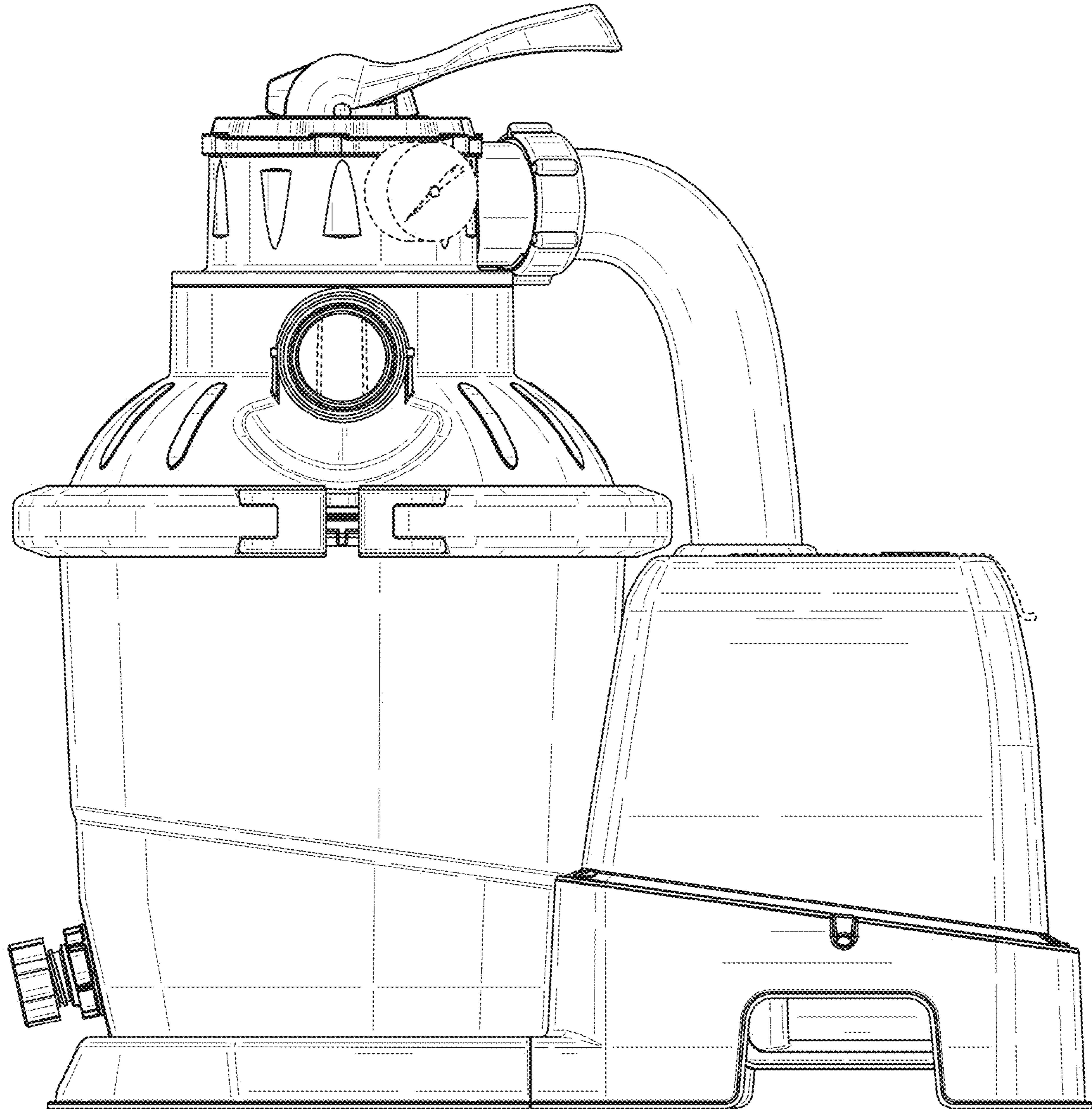


FIG. 3

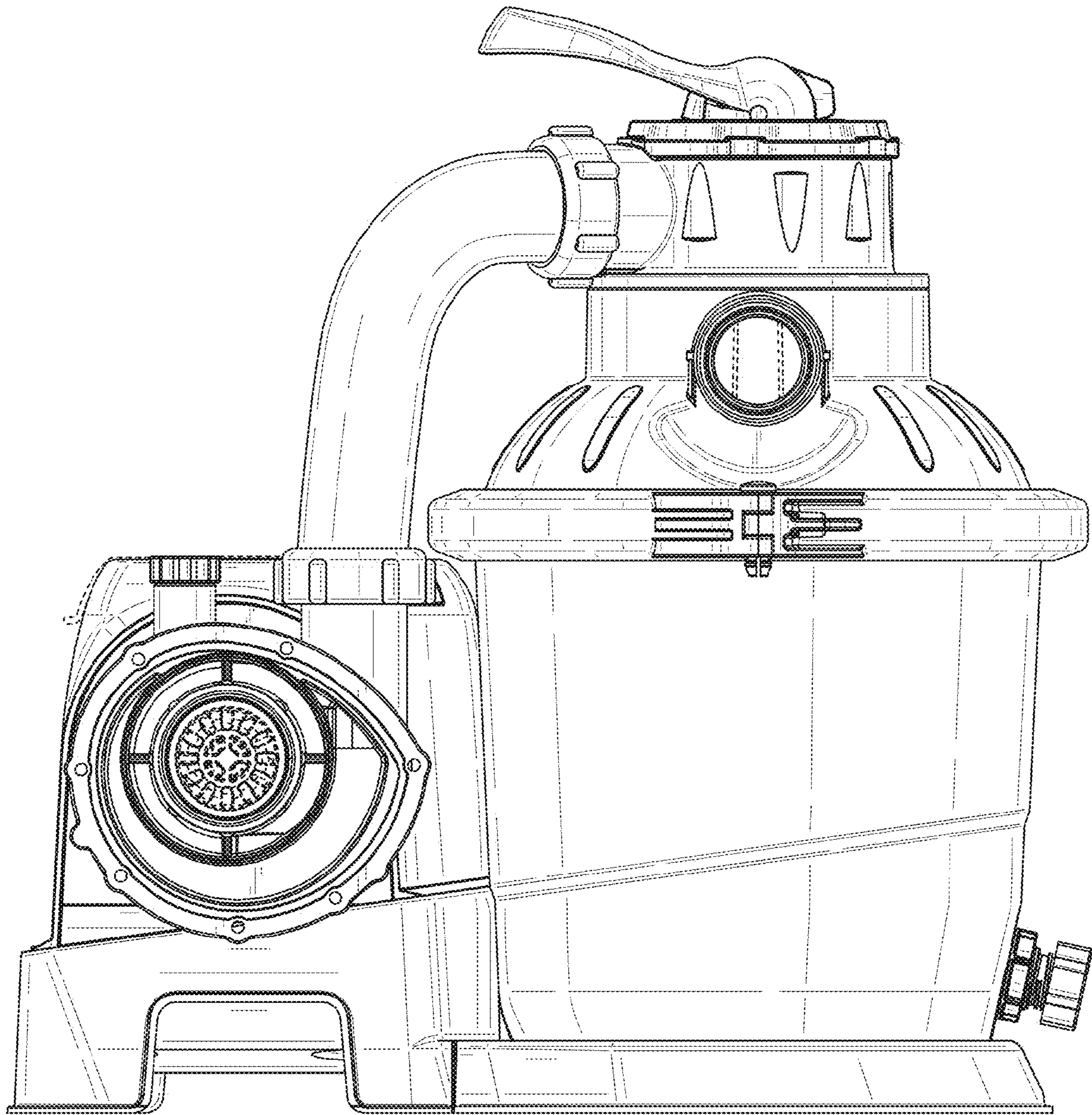


FIG. 4

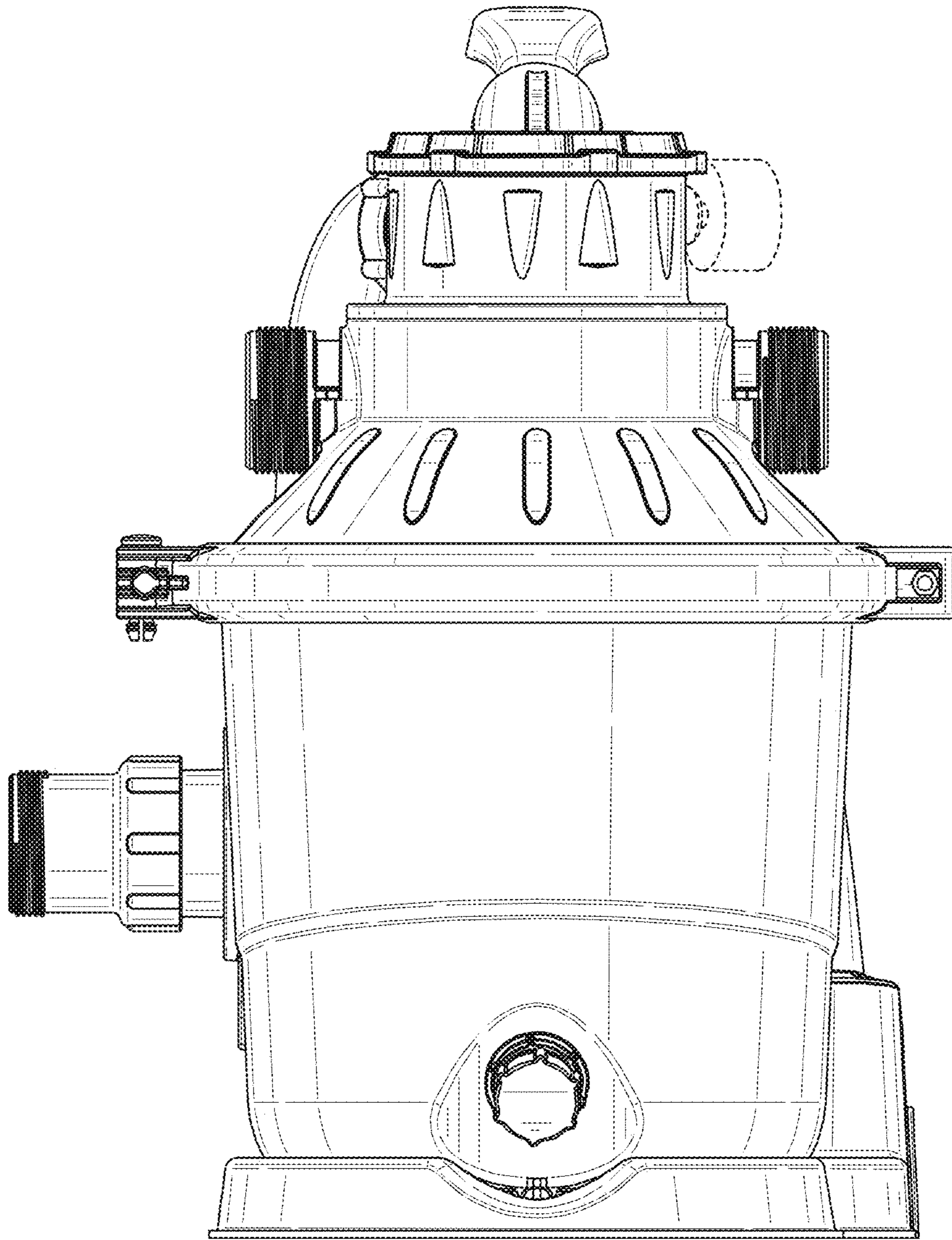


FIG. 5

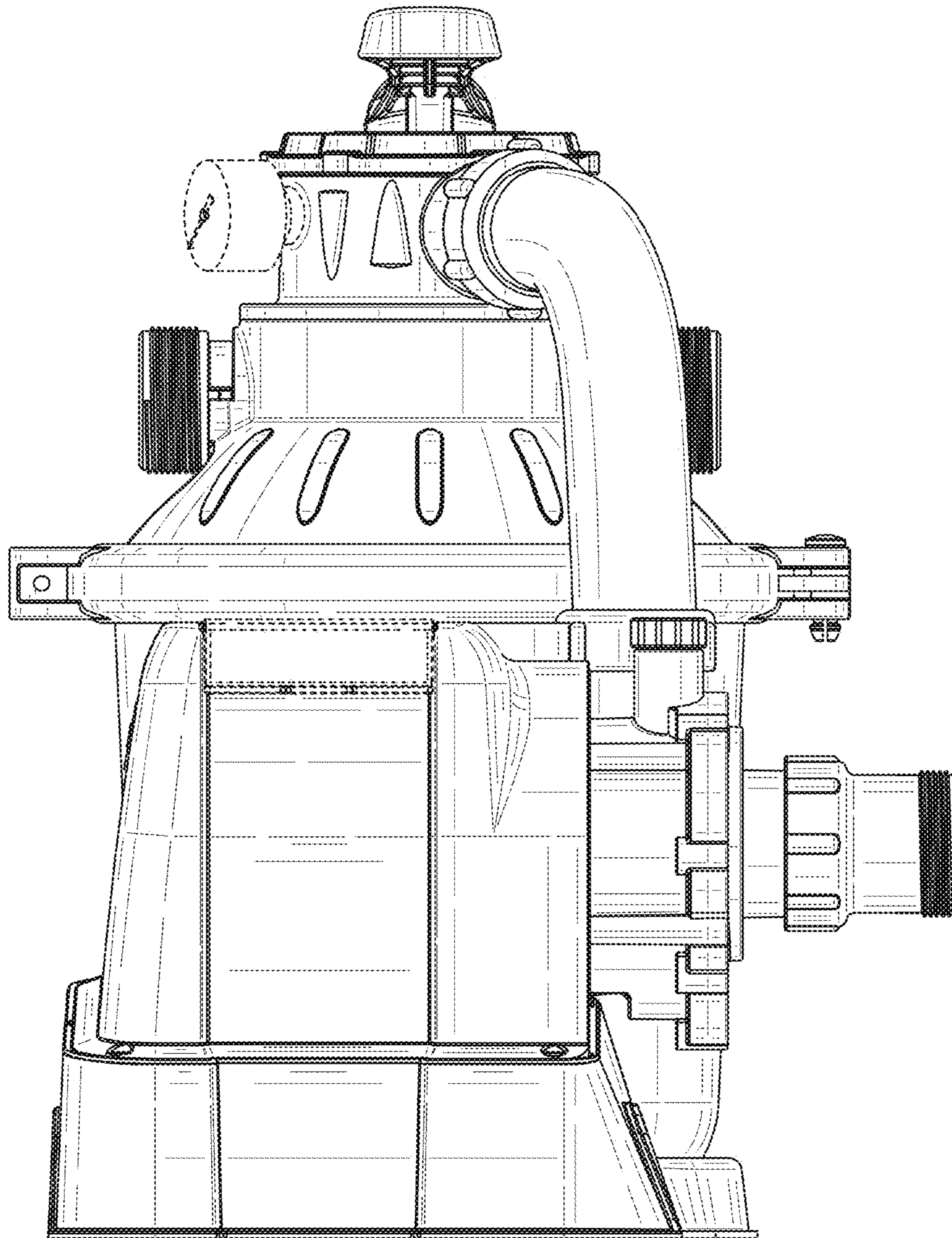


FIG. 6



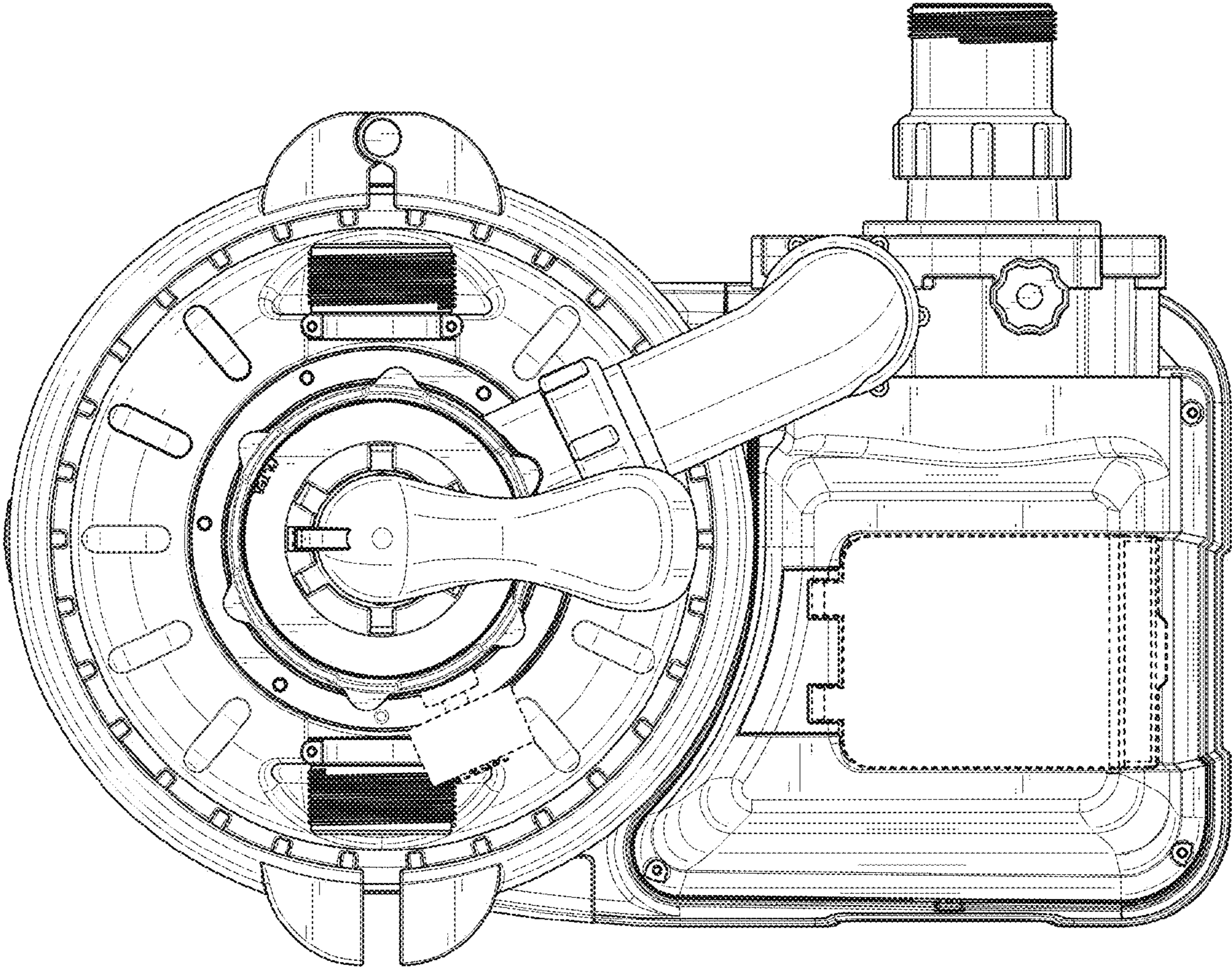


FIG. 7

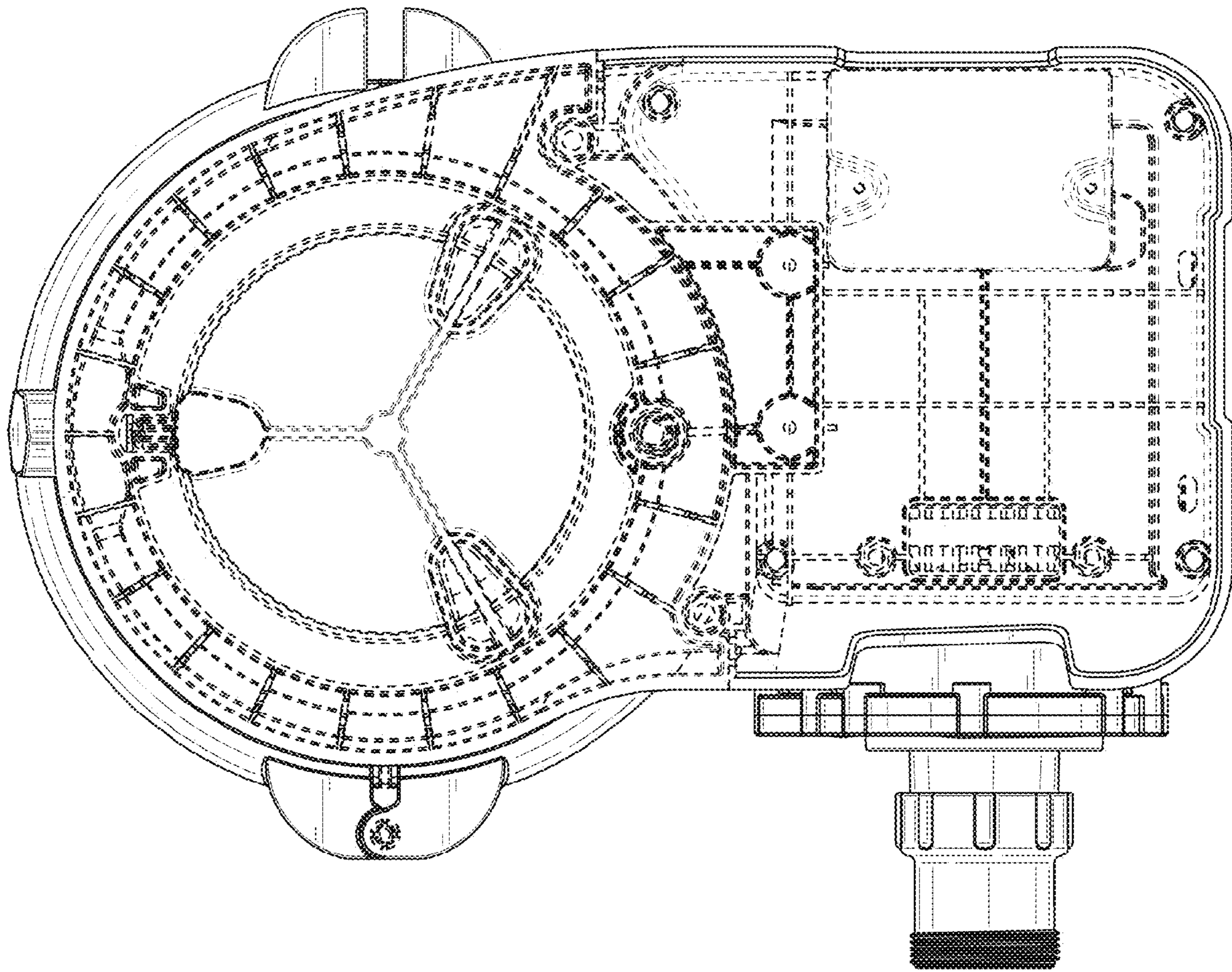


FIG. 8

UNITED STATES PATENT AND TRADEMARK OFFICE  
**CERTIFICATE OF CORRECTION**

PATENT NO. : D884,031 S  
APPLICATION NO. : 29/656718  
DATED : May 12, 2020  
INVENTOR(S) : Zhi Xiong Huang et al.

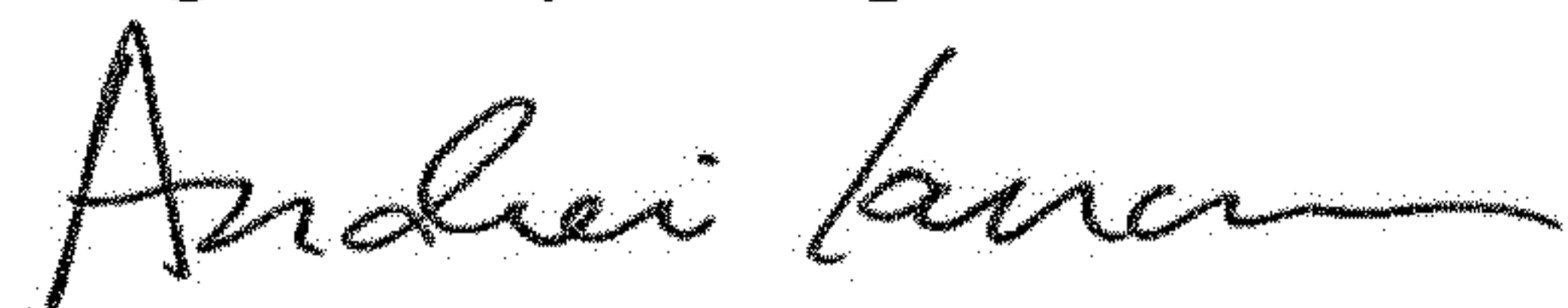
Page 1 of 1

It is certified that error appears in the above-identified patent and that said Letters Patent is hereby corrected as shown below:

On the Title Page

Column 1, under Foreign Application Priority Data item (30), the foreign priority reference number should read "201830021907.5".

Signed and Sealed this  
Eighth Day of September, 2020



Andrei Iancu  
*Director of the United States Patent and Trademark Office*