



US00D884030S

(12) **United States Design Patent**  
**Bird et al.**

(10) **Patent No.:** **US D884,030 S**

(45) **Date of Patent:** **\*\* May 12, 2020**

(54) **PLAYBACK DEVICE**

(71) Applicant: **Sonos, Inc.**, Santa Barbara, CA (US)

(72) Inventors: **Roland Bird**, Eindhoven (NL); **Niels van Hoof**, Eindhoven (NL); **Roger Swales**, Eindhoven (NL); **Mieko Kusano**, Santa Barbara, CA (US); **Tadeo T. Toulis**, Santa Barbara, CA (US)

(73) Assignee: **Sonos, Inc.**, Santa Barbara, CA (US)

(\*\*) Term: **15 Years**

(21) Appl. No.: **29/603,099**

(22) Filed: **May 5, 2017**

**Related U.S. Application Data**

(63) Continuation of application No. 29/499,304, filed on Aug. 13, 2014, now Pat. No. Des. 789,990.

(51) **LOC (12) Cl.** ..... **14-03**

(52) **U.S. Cl.**  
USPC ..... **D14/496**; D14/203

(58) **Field of Classification Search**  
USPC ..... D21/324-333; D14/496, 203.1-203.8, D14/356, 432, 434, 511, 137, 188, 160,  
(Continued)

(56) **References Cited**

**U.S. PATENT DOCUMENTS**

D2,834 S 11/1867 Scholfield  
111,983 A 2/1871 Shaw et al.  
(Continued)

**FOREIGN PATENT DOCUMENTS**

CN 303578888 \* 2/2016  
EM 002633024-0007 \* 4/2015  
(Continued)

**OTHER PUBLICATIONS**

Japanese Patent Office, "Office Action," issued in connection with Application No. 2015-002928, dated Jun. 2, 2015, 3 pages.

(Continued)

*Primary Examiner* — Catherine A Tuttle  
(74) *Attorney, Agent, or Firm* — KPPB LLP

(57) **CLAIM**

The ornamental design for the playback device, as shown and described.

**DESCRIPTION**

FIG. 1 is a front elevational view of a first playback device showing a first embodiment of our new design.

FIG. 2 is a perspective view of FIG. 1.

FIG. 3 is a front elevational view of a second playback device showing the first embodiment of our design.

FIG. 4 is a perspective view of FIG. 3.

FIG. 5 is a perspective view of a third playback device showing the first embodiment of our design.

FIG. 6 is a top view of FIG. 5.

FIG. 7 is a perspective view of a fourth playback device showing the first embodiment of our design.

FIG. 8 is an enlarged scale front elevational view of FIG. 7.

FIG. 9 is a front elevational view of a fifth playback device showing a second embodiment of our new design.

FIG. 10 is a perspective view of FIG. 9.

FIG. 11 is a perspective view of the third playback device showing the second embodiment of our design.

FIG. 12 is a top view of FIG. 11.

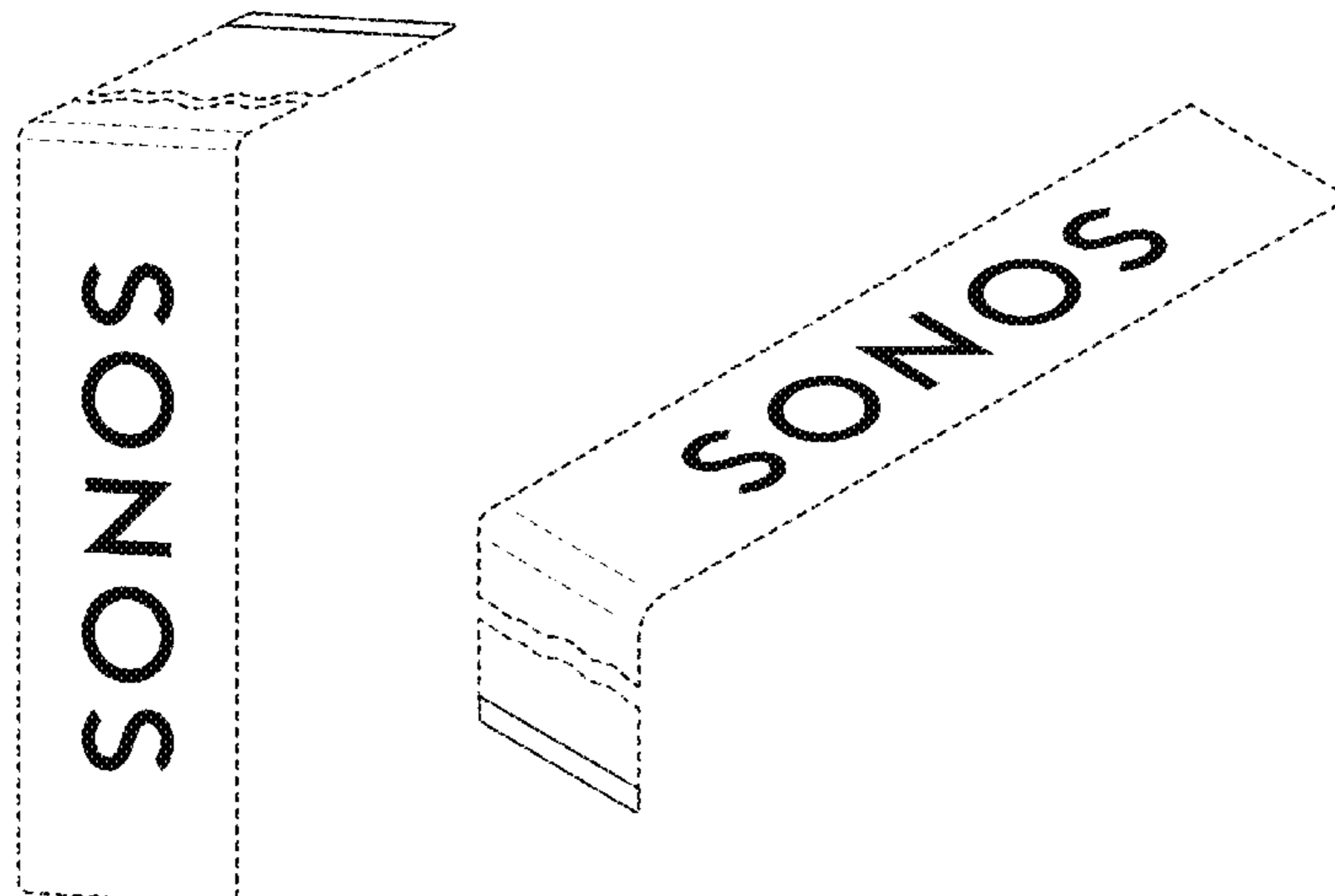
FIG. 13 is a front elevational view of the first playback device showing the second embodiment of our design.

FIG. 14 is a perspective view of FIG. 11.

FIG. 15 is an enlarged scale perspective view showing the first embodiment of the design isolated from the playback device shown in FIGS. 1-8; and,

FIG. 16 is an enlarged scale perspective view showing the second embodiment of the design isolated from the playback device shown in FIGS. 9-14.

(Continued)



The broken lines depict portions of the playback device that form no part of the claimed design.

**1 Claim, 12 Drawing Sheets**

**(58) Field of Classification Search**

USPC ..... D14/217, 490; D20/15.22–28.99;  
 220/640–644, 655; 273/148 B; 463/1,  
 463/29–47; 345/156  
 CPC .... A63F 9/00; A63F 9/24; A63F 13/00; A63F  
 13/02; A63F 13/08; A63F 13/25  
 See application file for complete search history.

**(56) References Cited**

U.S. PATENT DOCUMENTS

D25,274 S	3/1896	Deveaux	
1,119,839 A	12/1914	Kuhn	
D96,524 S	8/1935	Adams, Jr.	
D204,972 S	6/1966	Schmidgall	
4,865,321 A *	9/1989	Nakagawa	..... A63F 13/02 463/29
D366,065 S	1/1996	Lockard	
D455,755 S	4/2002	Levine et al.	
D500,807 S *	1/2005	Noell	..... D20/27
D508,388 S *	8/2005	Aglassinger	..... D8/69
D512,988 S *	12/2005	Green	..... D14/214
D560,656 S	1/2008	Andre et al.	
D560,685 S	1/2008	Lopez	
D575,800 S	8/2008	Kusano et al.	
D575,801 S	8/2008	Kusano et al.	
D582,429 S	12/2008	Kusano et al.	
D637,682 S	5/2011	Bentley et al.	
D651,994 S *	1/2012	Lundbom	..... D14/125
8,152,019 B1 *	4/2012	Miller	..... B65F 1/14 15/257.1
D687,010 S	7/2013	McManigal et al.	
D696,297 S *	12/2013	Fang	..... D14/496
D705,871 S *	5/2014	Jacobs	..... D14/496
D715,761 S *	10/2014	Kim	..... D14/188

D719,976 S	12/2014	Lee et al.	
D721,061 S	1/2015	Burlingame et al.	
D726,223 S	4/2015	Guerrero et al.	
9,094,706 B2 *	7/2015	Reily	..... H04N 21/4126
9,122,451 B2 *	9/2015	Calatayud	..... G06F 3/165
9,143,861 B2	9/2015	Schul et al.	
D742,382 S	11/2015	Shao et al.	
9,195,432 B2	11/2015	Reilly et al.	
D746,795 S	1/2016	Burlingame et al.	
9,232,288 B2	1/2016	Lien et al.	
D754,751 S	4/2016	Kusano et al.	
9,307,307 B2	4/2016	Florczak et al.	
D756,330 S	5/2016	Silvera	
D760,694 S *	7/2016	Kim	..... D14/214
D763,818 S	8/2016	Yang	
D768,602 S	10/2016	Reichert et al.	
D781,263 S	3/2017	Tong	
D789,990 S	6/2017	Bird et al.	
D789,991 S	6/2017	Bird et al.	
D806,678 S	1/2018	Reichert et al.	
D810,137 S *	2/2018	Tsang	..... D14/496
D815,062 S	4/2018	Bird et al.	
D827,671 S	9/2018	Nam et al.	
D831,646 S	10/2018	Kusano et al.	
2017/0085972 A1	3/2017	Reichert et al.	

FOREIGN PATENT DOCUMENTS

EM	002633024-0009	*	4/2015
EM	002633024-0011	*	4/2015
EM	002633024-0015	*	4/2015

OTHER PUBLICATIONS

Trademark Search, "SONOS", Jan. 27, 2005, retrieved from <http://tmsearch.uspto.gov/bin/gate.exe?f=doc&state=4808:g5tpr6.3.22> on Apr. 11, 2016, 3 pages.  
 "Printed Sealing Tape on Box", 2000, retrieved from [http://www.tritechforensics.com/uploaded\\_files/images/products/b\\_4129466984cdd169b2fff1515.3541962](http://www.tritechforensics.com/uploaded_files/images/products/b_4129466984cdd169b2fff1515.3541962) on Apr. 28, 2016, 1 pages.  
 Japanese Patent Office, "Office Action," issued in connection with Application No. 2015-002929, dated Jun. 2, 2015, 3 pages.

\* cited by examiner

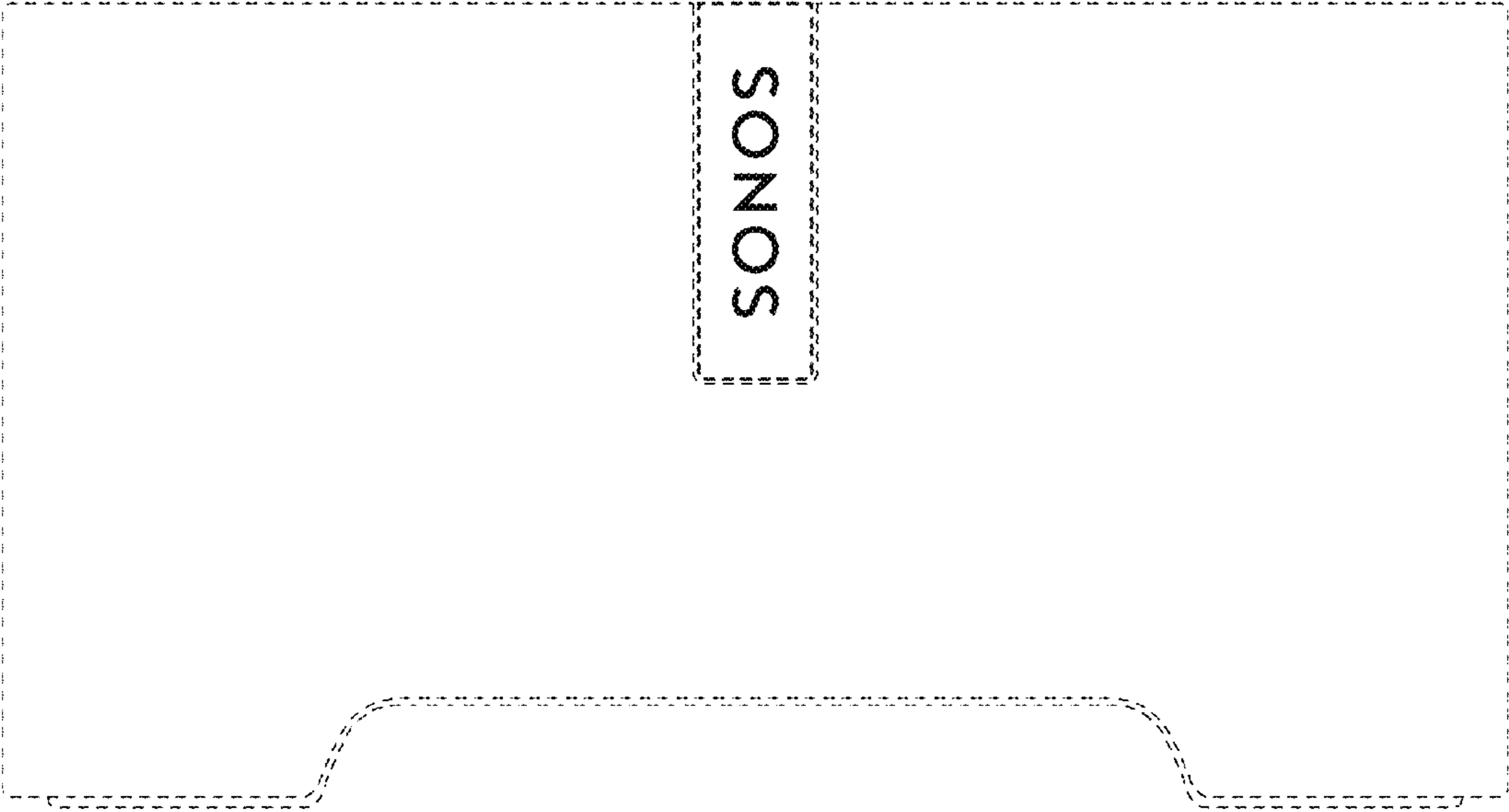


FIG. 1

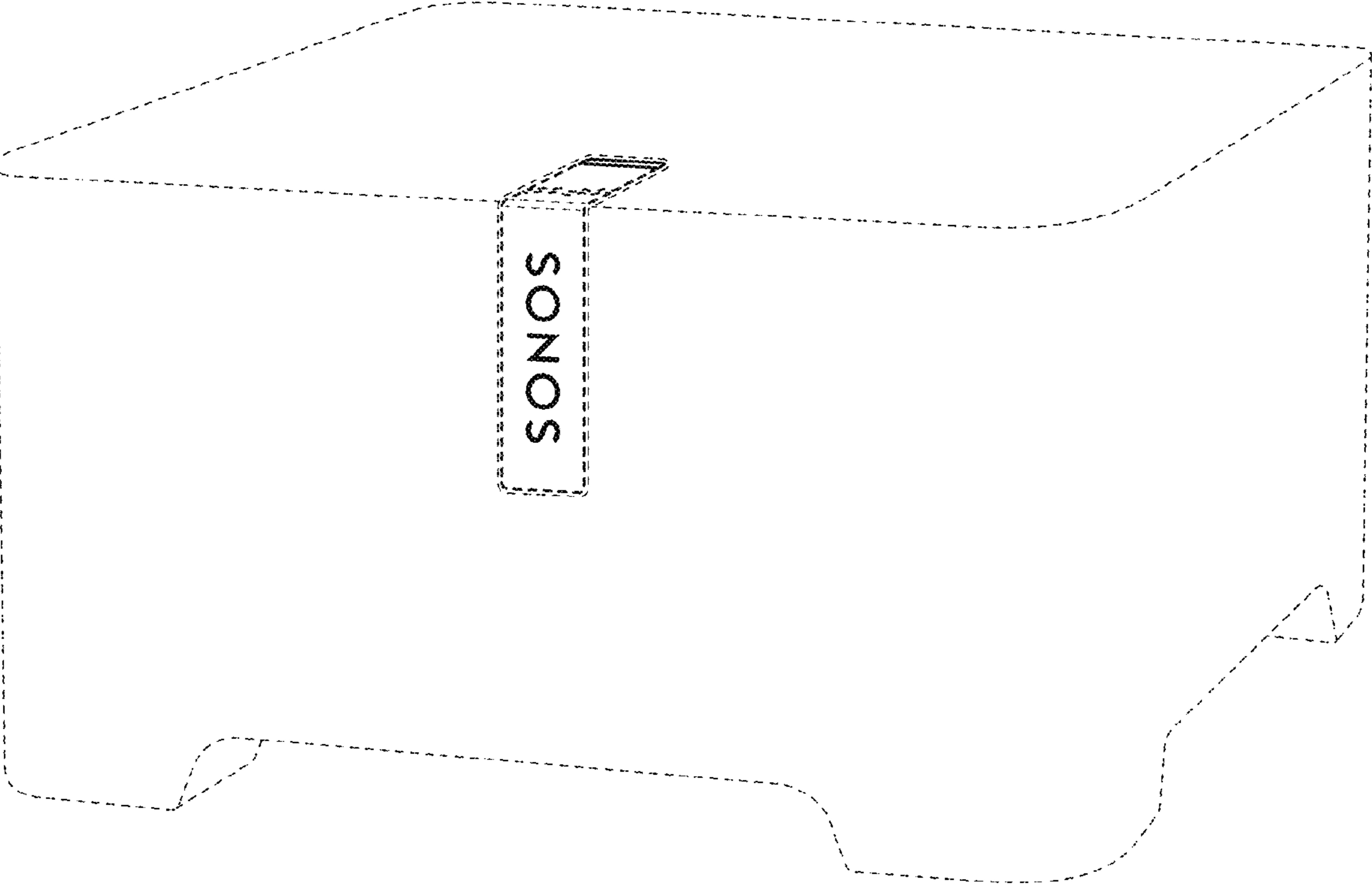


FIG. 2

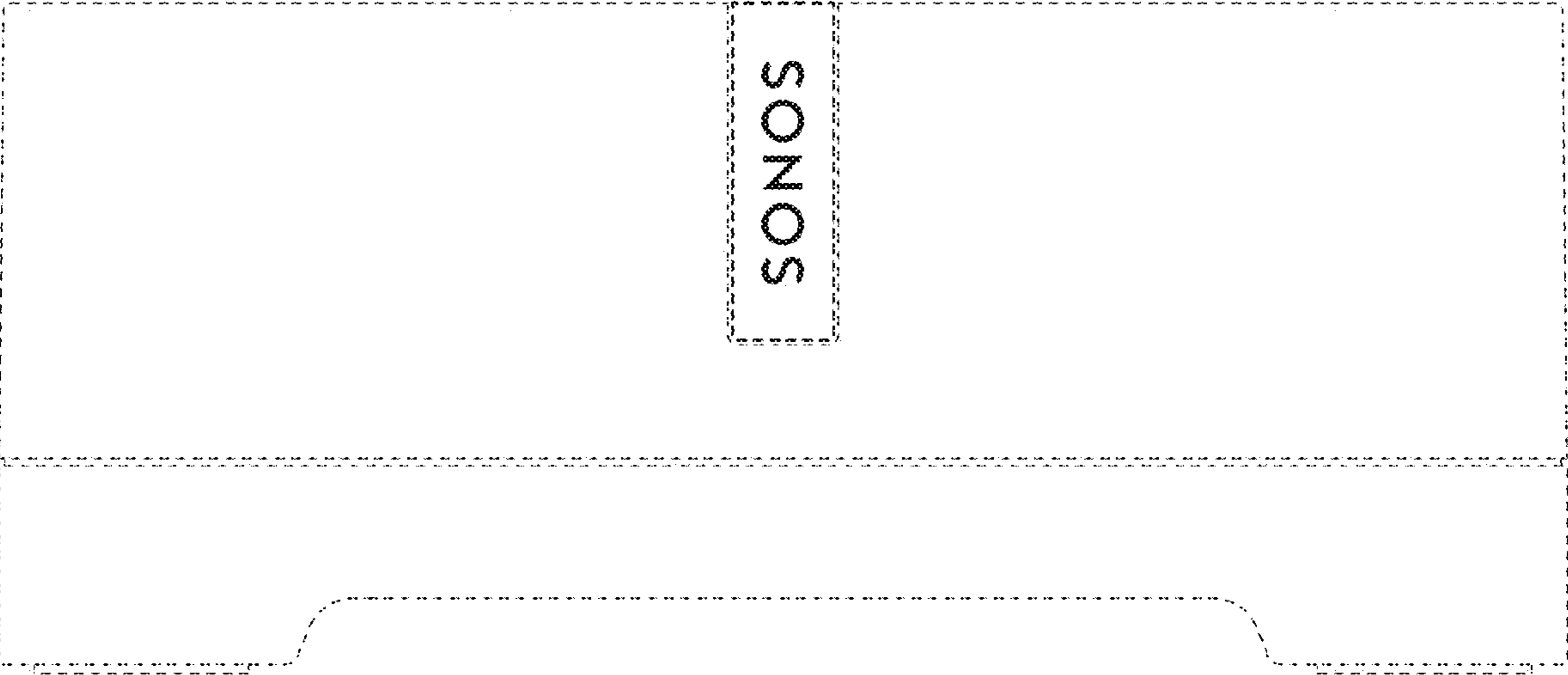


FIG. 3

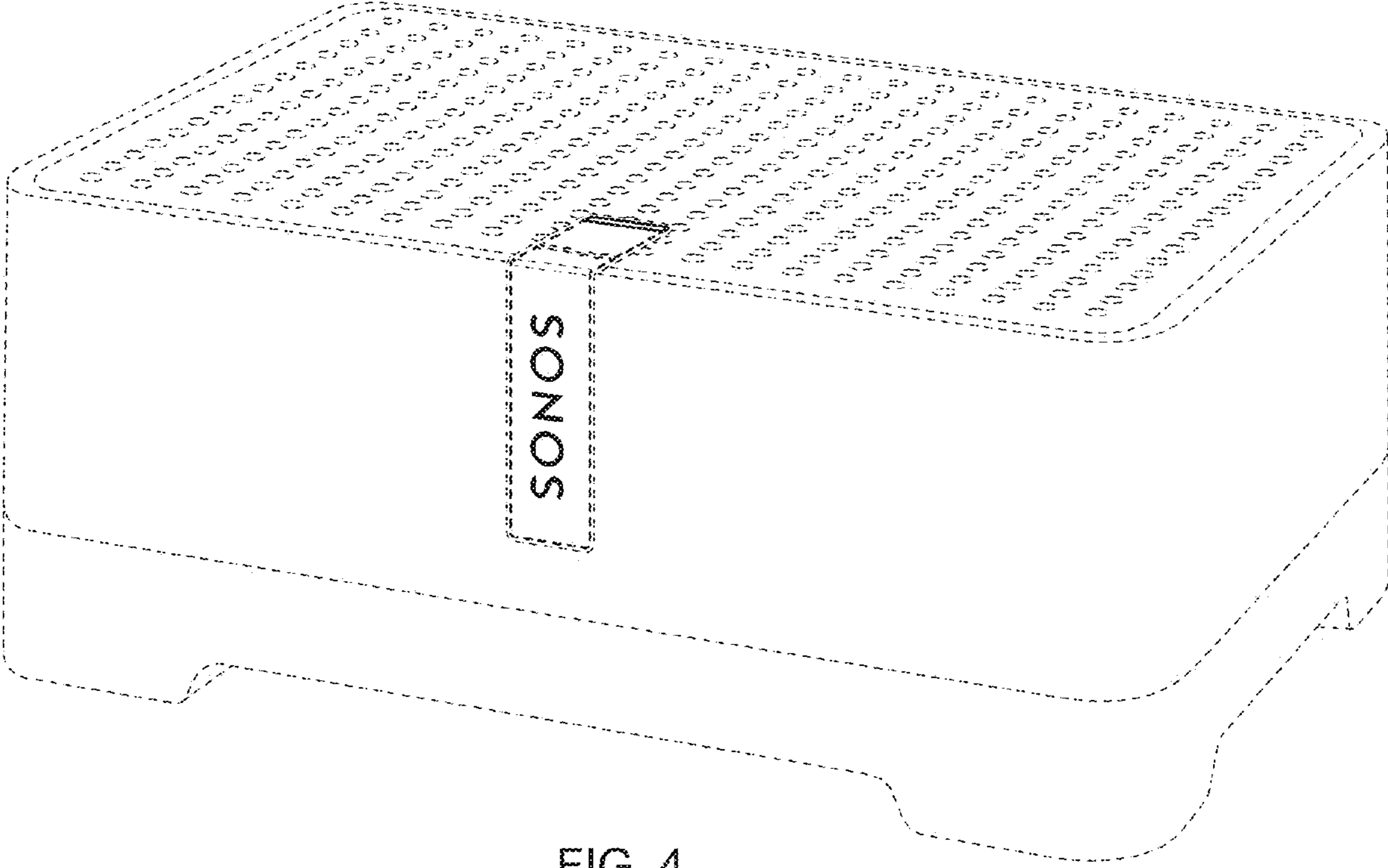


FIG. 4

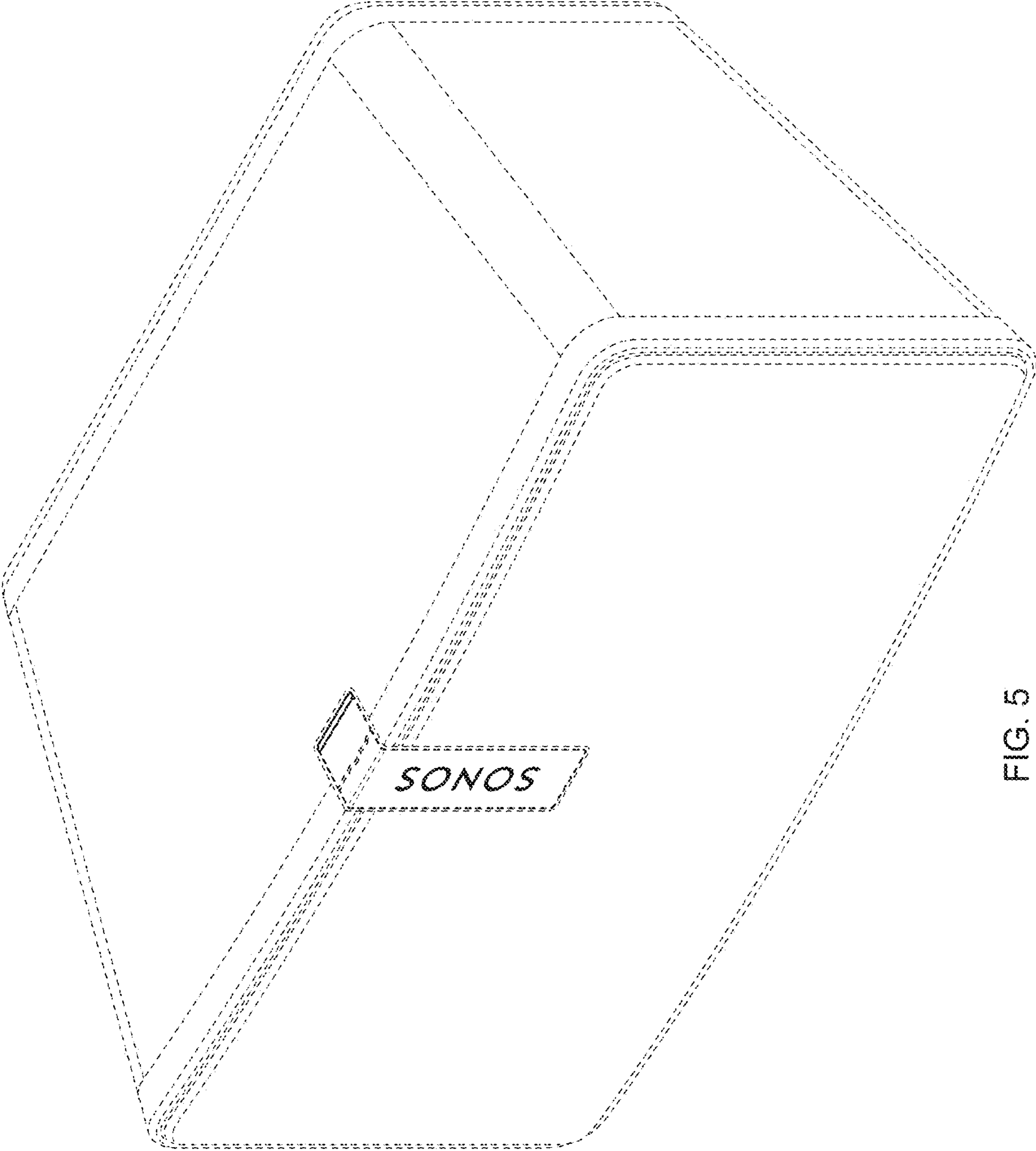


FIG. 5

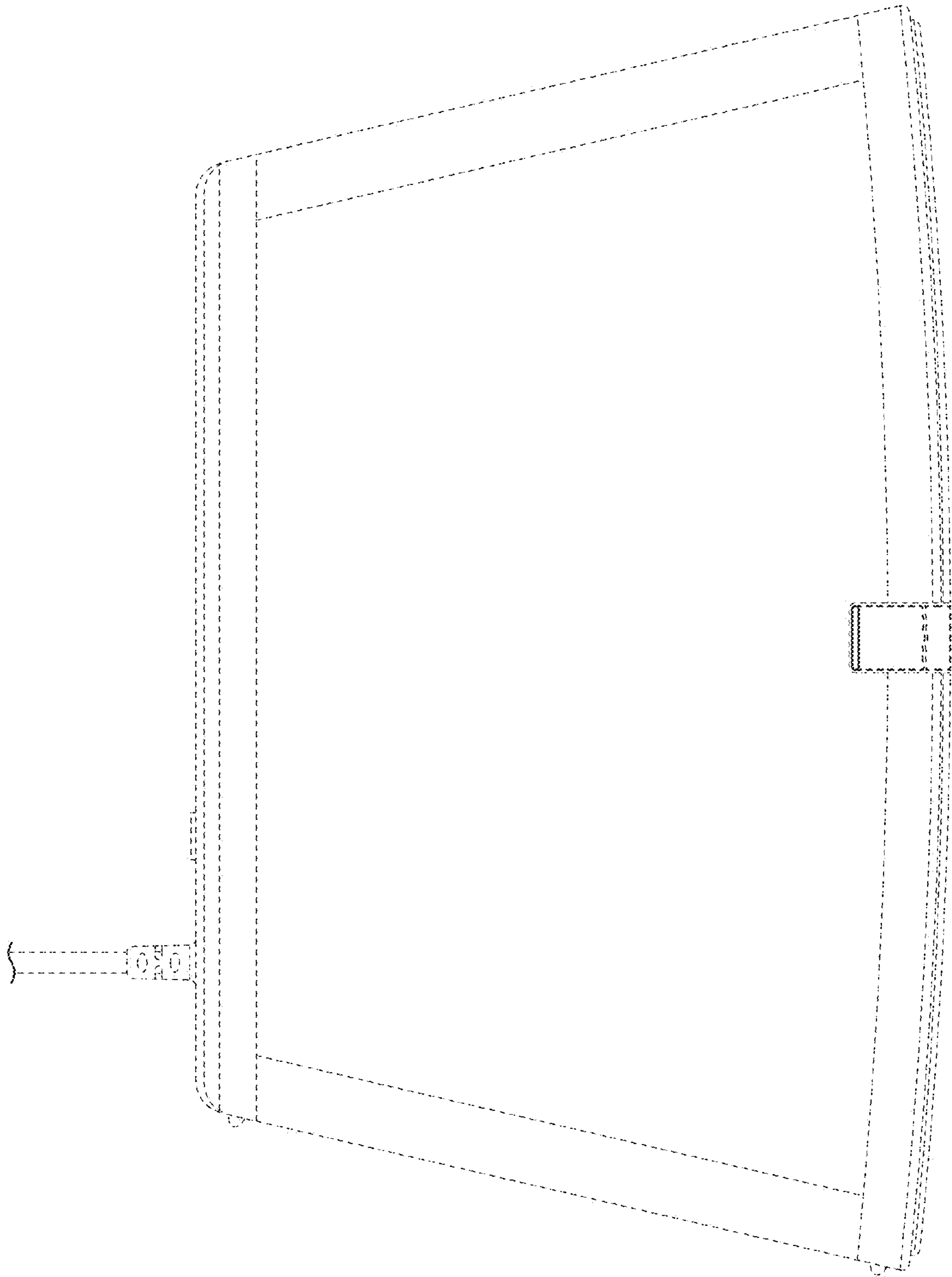


FIG. 6

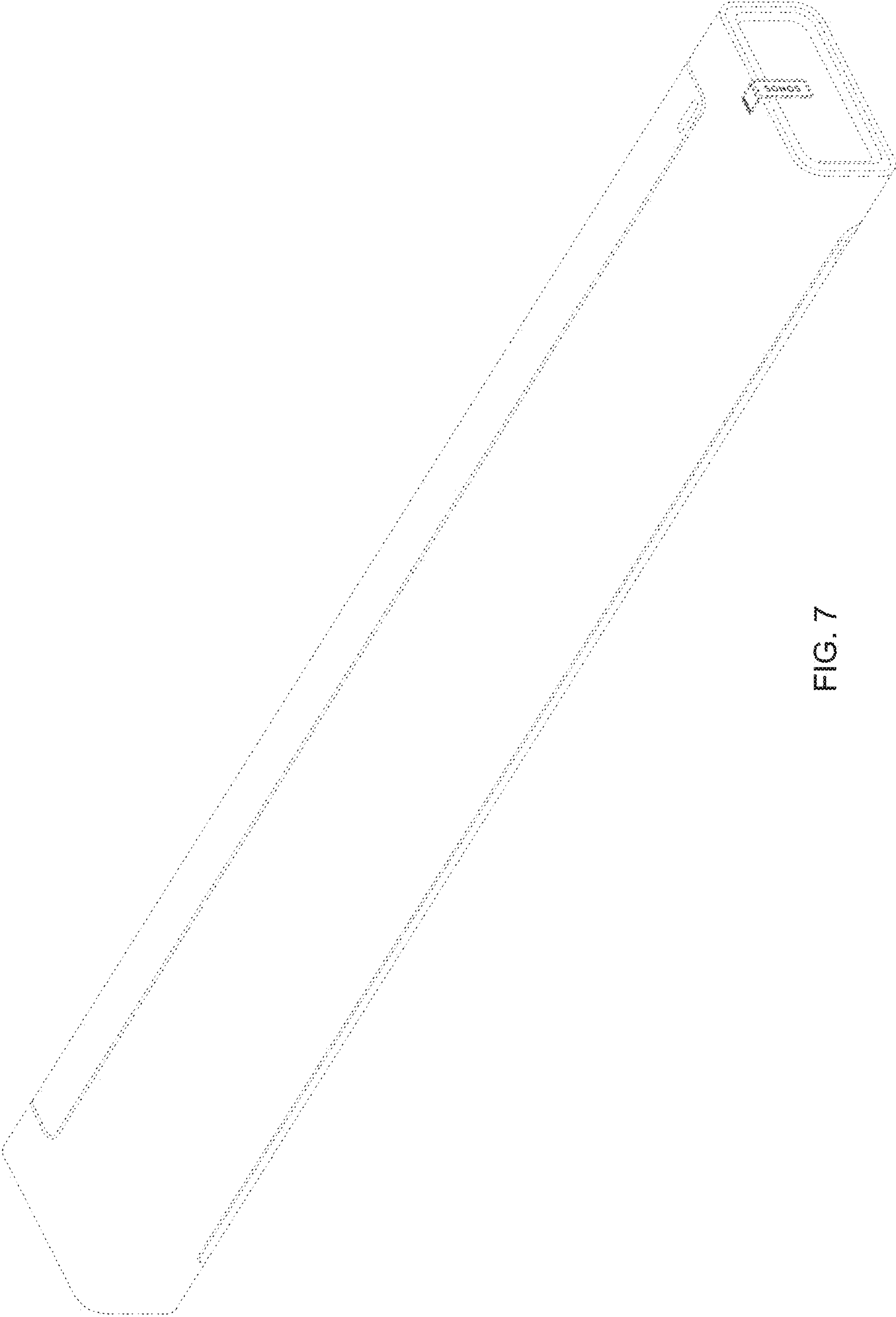


FIG. 7

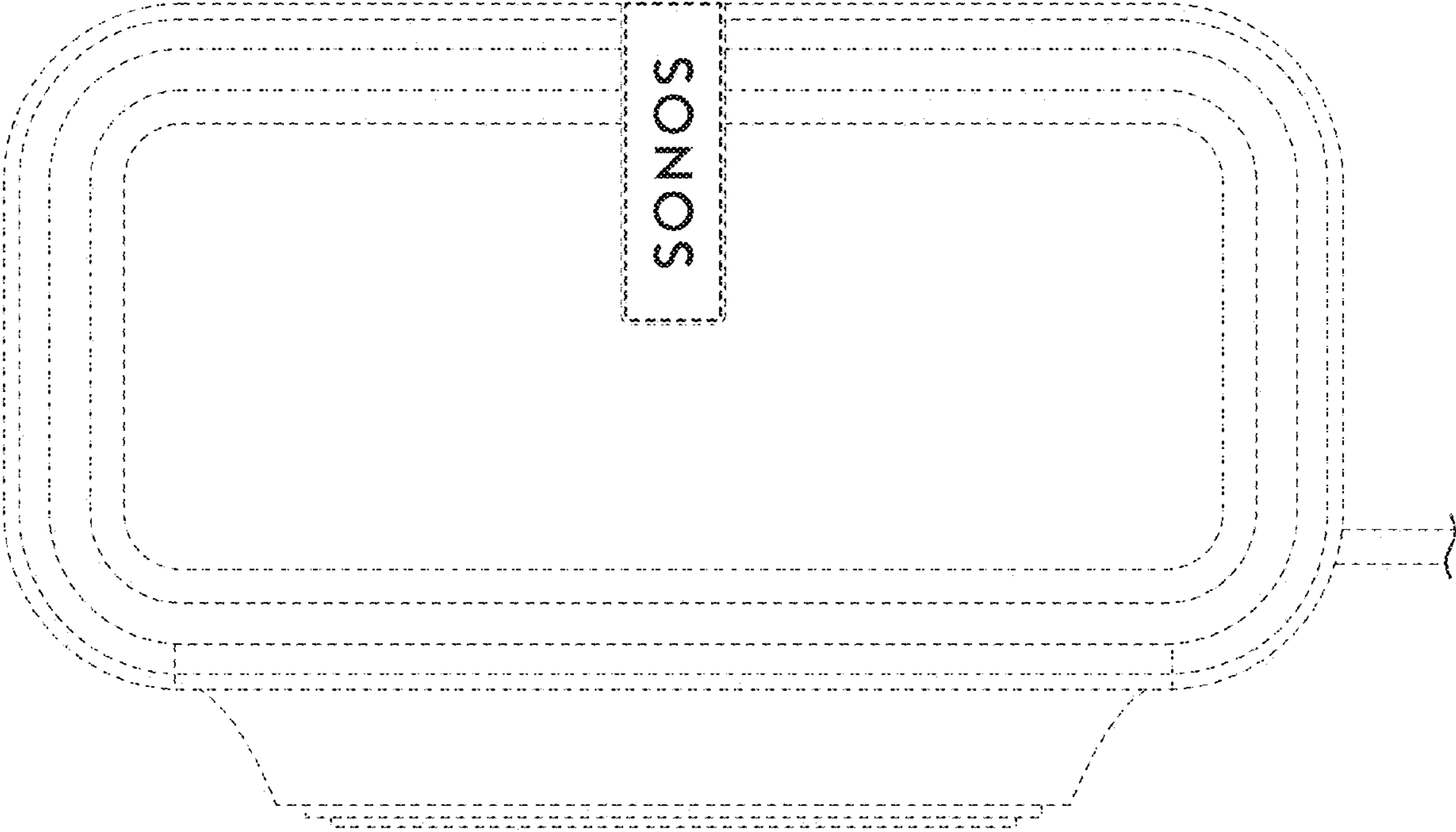


FIG. 8

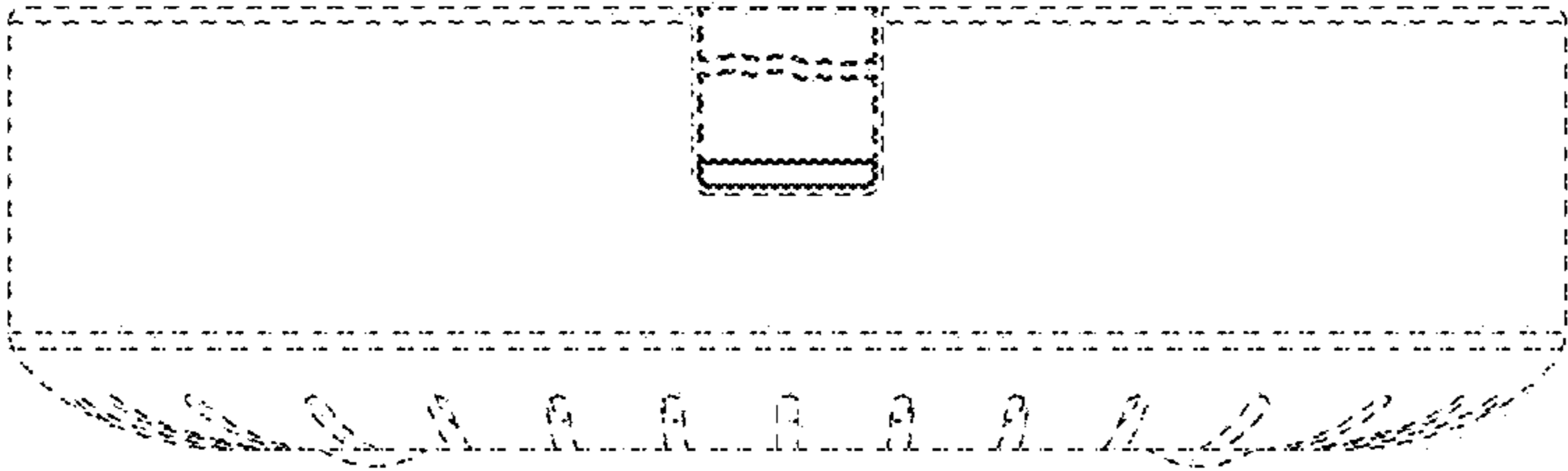


FIG. 9



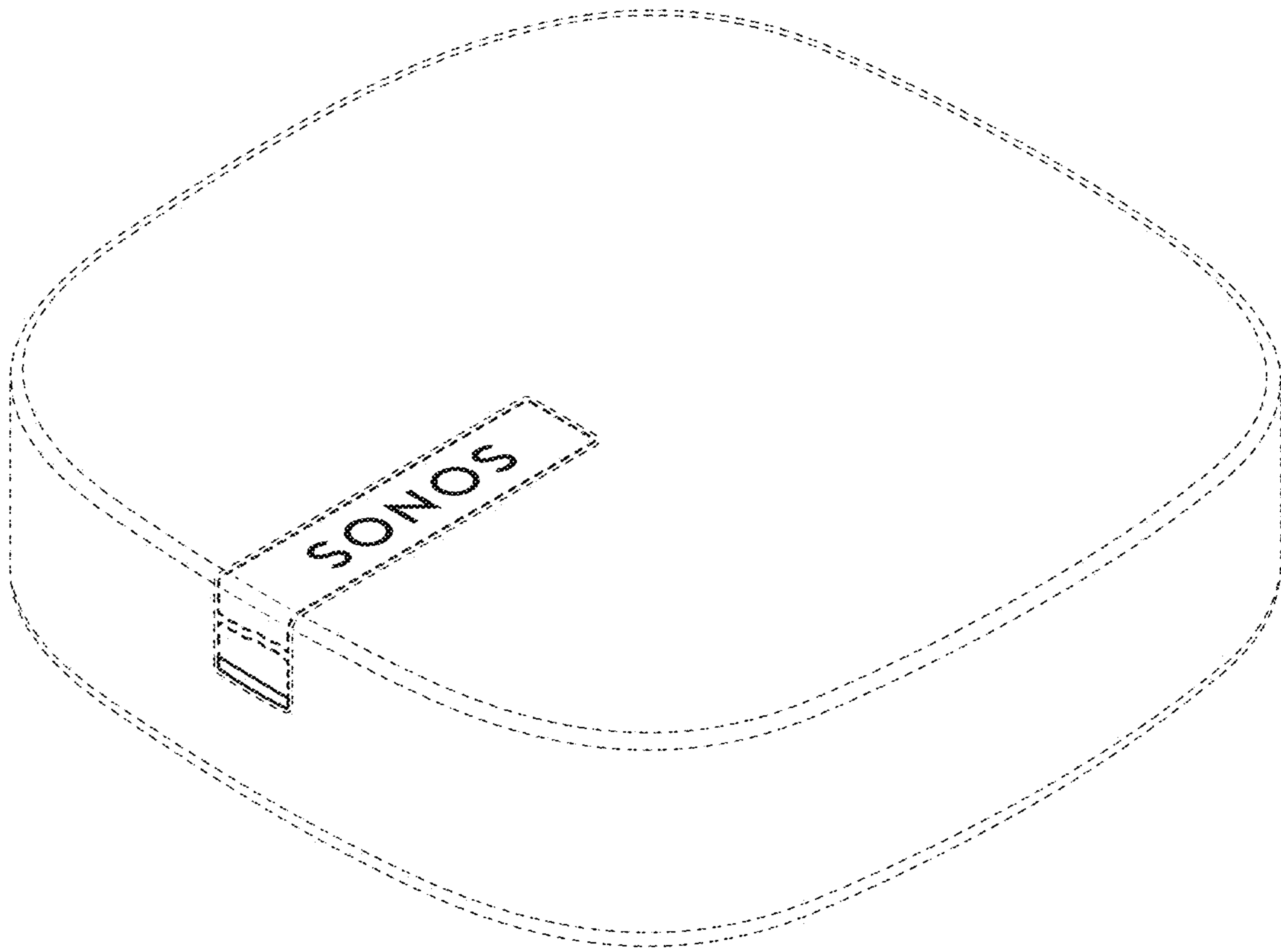


FIG. 10

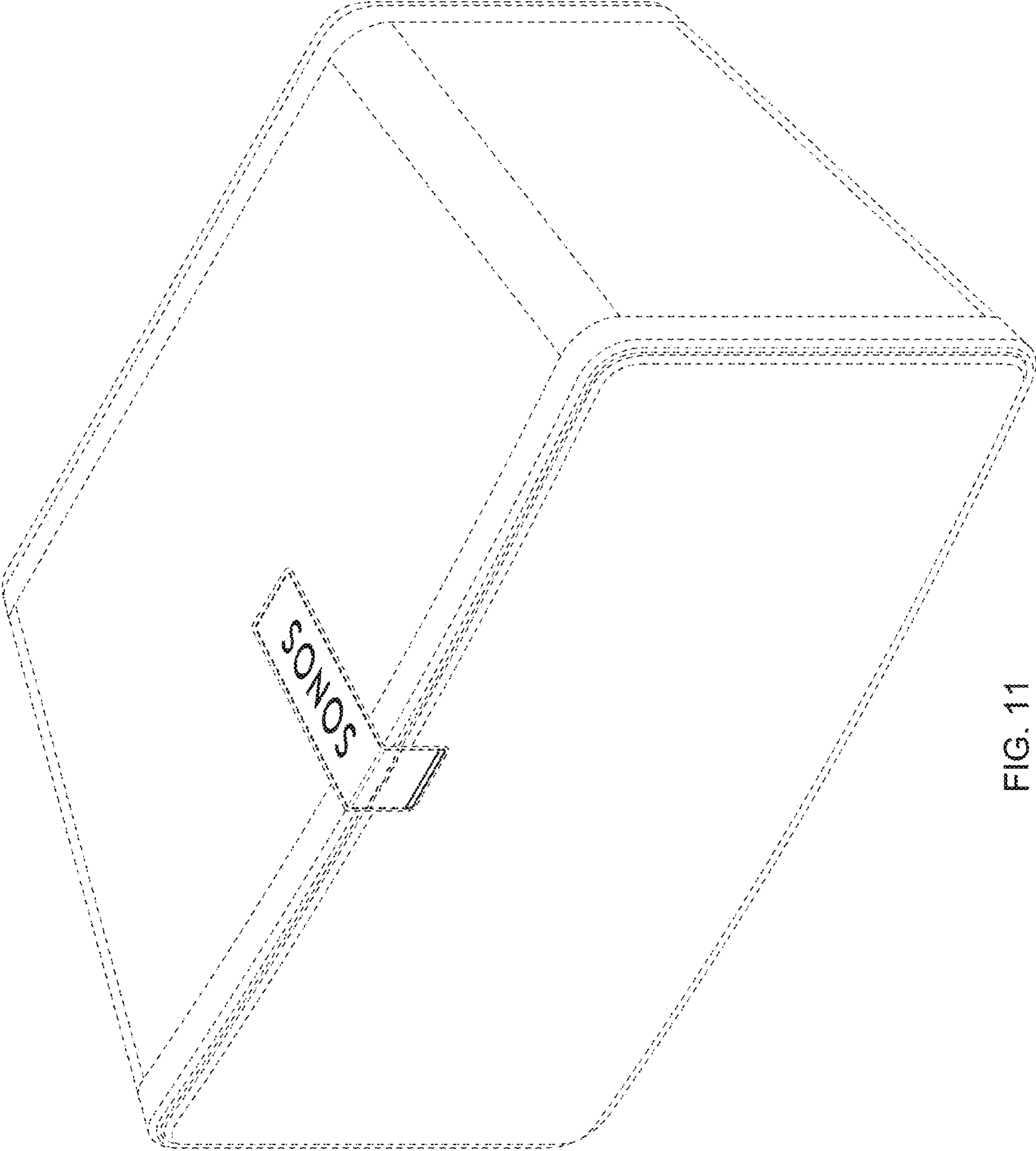


FIG. 11

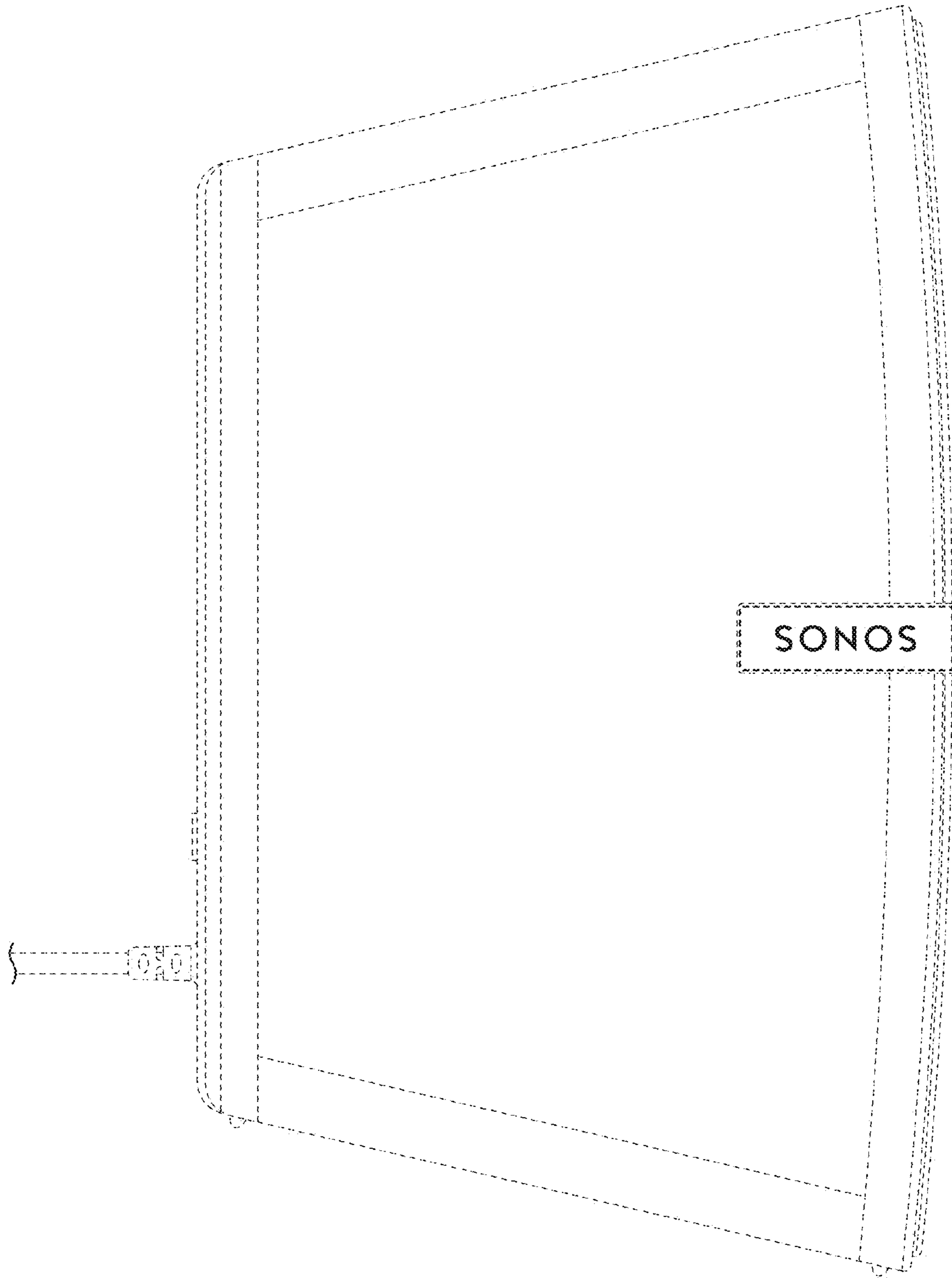


FIG. 12

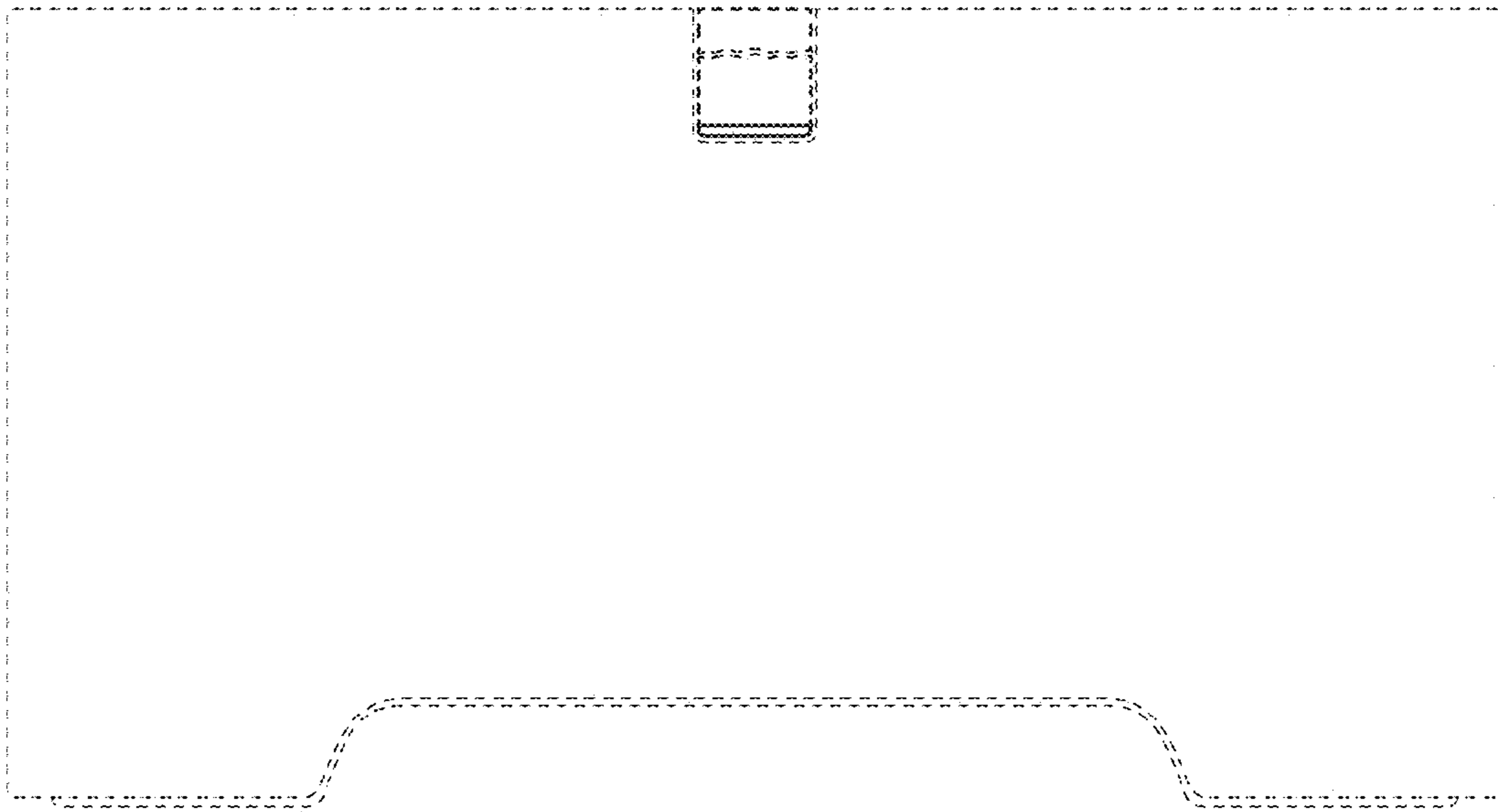


FIG. 13

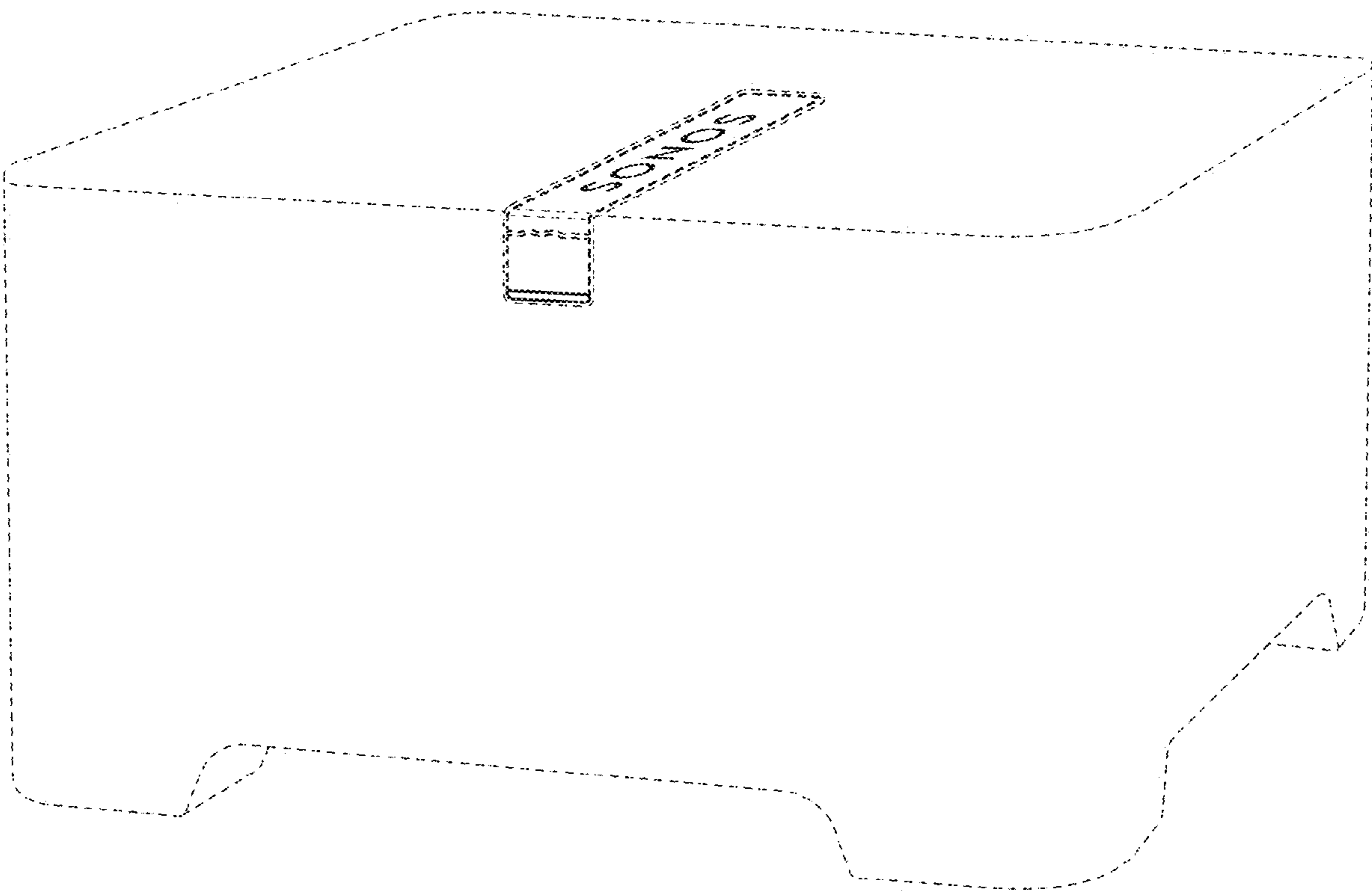


FIG. 14

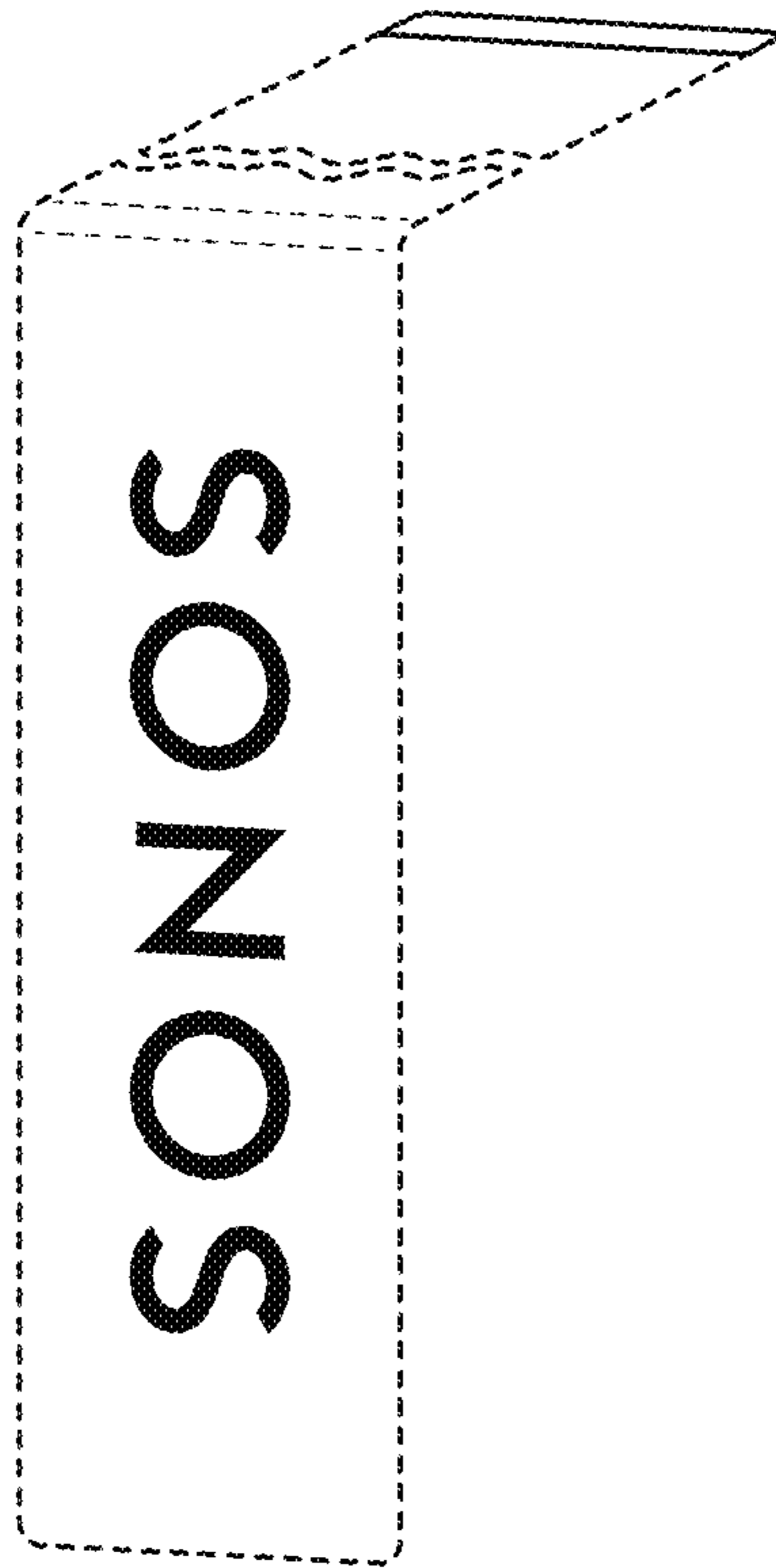


FIG. 15

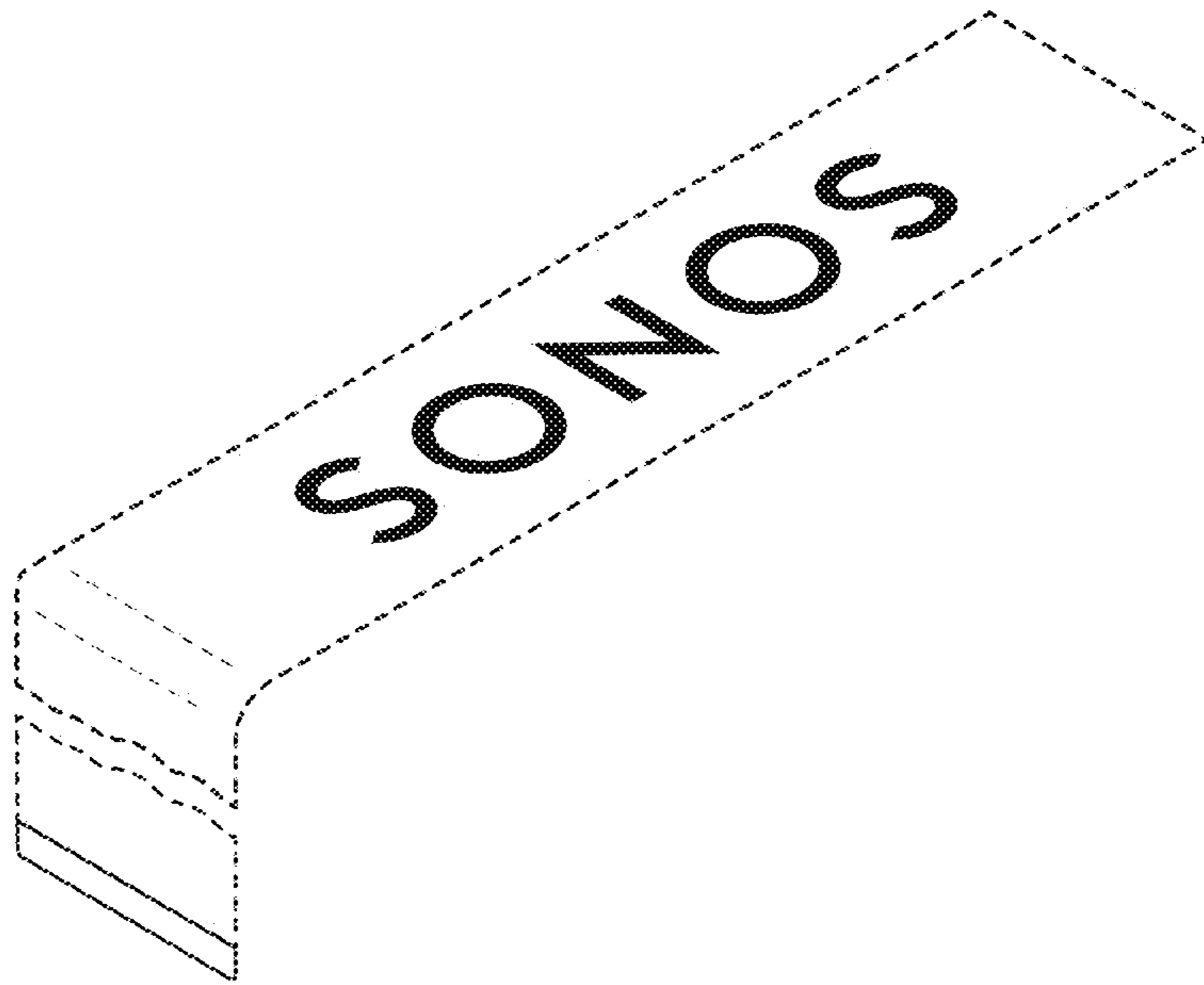


FIG. 16