



US00D884026S

(12) **United States Design Patent** (10) **Patent No.:** **US D884,026 S**  
**Pazmino et al.** (45) **Date of Patent:** **\*\* May 12, 2020**

(54) **DISPLAY PANEL OR PORTION THEREOF WITH A GRAPHICAL USER INTERFACE**

(71) Applicant: **MAGIC LEAP, INC.**, Plantation, FL (US)

(72) Inventors: **Lorena Pazmino**, Wilton Manors, FL (US); **Amy Dedonato**, Plantation, FL (US); **Andrea Isabel Montoya**, Plantation, FL (US)

(73) Assignee: **MAGIC LEAP, INC.**, Plantation, FL (US)

(\*\*) Term: **15 Years**

(21) Appl. No.: **29/657,579**

(22) Filed: **Jul. 24, 2018**

(51) **LOC (12) Cl.** ..... **14-04**

(52) **U.S. Cl.**  
USPC ..... **D14/492**; D14/489

(58) **Field of Classification Search**  
USPC ..... D14/485–495  
CPC ... G06N 20/00; G06T 19/006; G06T 2200/24;  
G06F 3/0482; G06F 3/017; G06F 3/011;  
G06F 3/012

See application file for complete search history.

(56) **References Cited**

**U.S. PATENT DOCUMENTS**

D270,271 S \* 8/1983 Steele ..... D14/490  
D588,154 S \* 3/2009 Bouchard ..... D14/489  
D593,120 S \* 5/2009 Bouchard ..... D14/489

D623,658 S \* 9/2010 Fitzmaurice ..... D14/489  
D730,390 S \* 5/2015 Moon ..... D14/488  
D750,123 S \* 2/2016 Subramanian ..... D14/487  
D755,849 S \* 5/2016 Kim ..... D14/489  
D757,809 S \* 5/2016 Choi ..... D14/492  
D758,403 S \* 6/2016 Lee ..... D14/486  
D760,252 S \* 6/2016 Engstrand ..... D14/485  
D768,147 S \* 10/2016 Yoo ..... D14/485  
D780,805 S \* 3/2017 van Os ..... D14/491  
D788,166 S \* 5/2017 Hsu ..... D14/489  
D789,383 S \* 6/2017 Bawazeer ..... D14/485

\* cited by examiner

*Primary Examiner* — Darlington Ly

*Assistant Examiner* — Katherine A Holbrow

(74) *Attorney, Agent, or Firm* — Vista IP Law Group LLP

(57) **CLAIM**

The ornamental design for display panel or portion thereof with a graphical user interface, as shown and described.

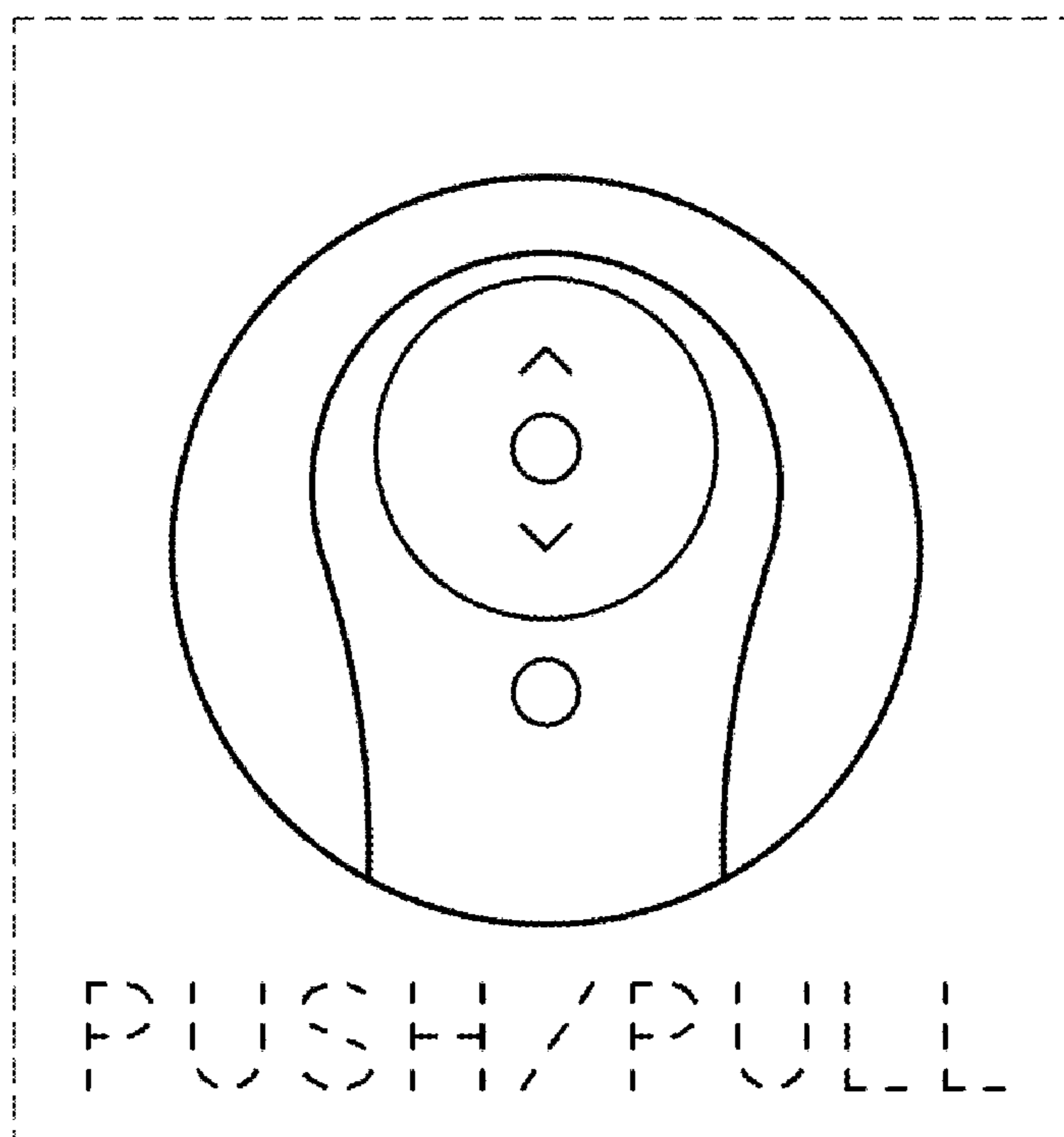
**DESCRIPTION**

FIG. 1 is a front view of a display panel or portion thereof with a graphical user interface showing a first embodiment of the new design; and,

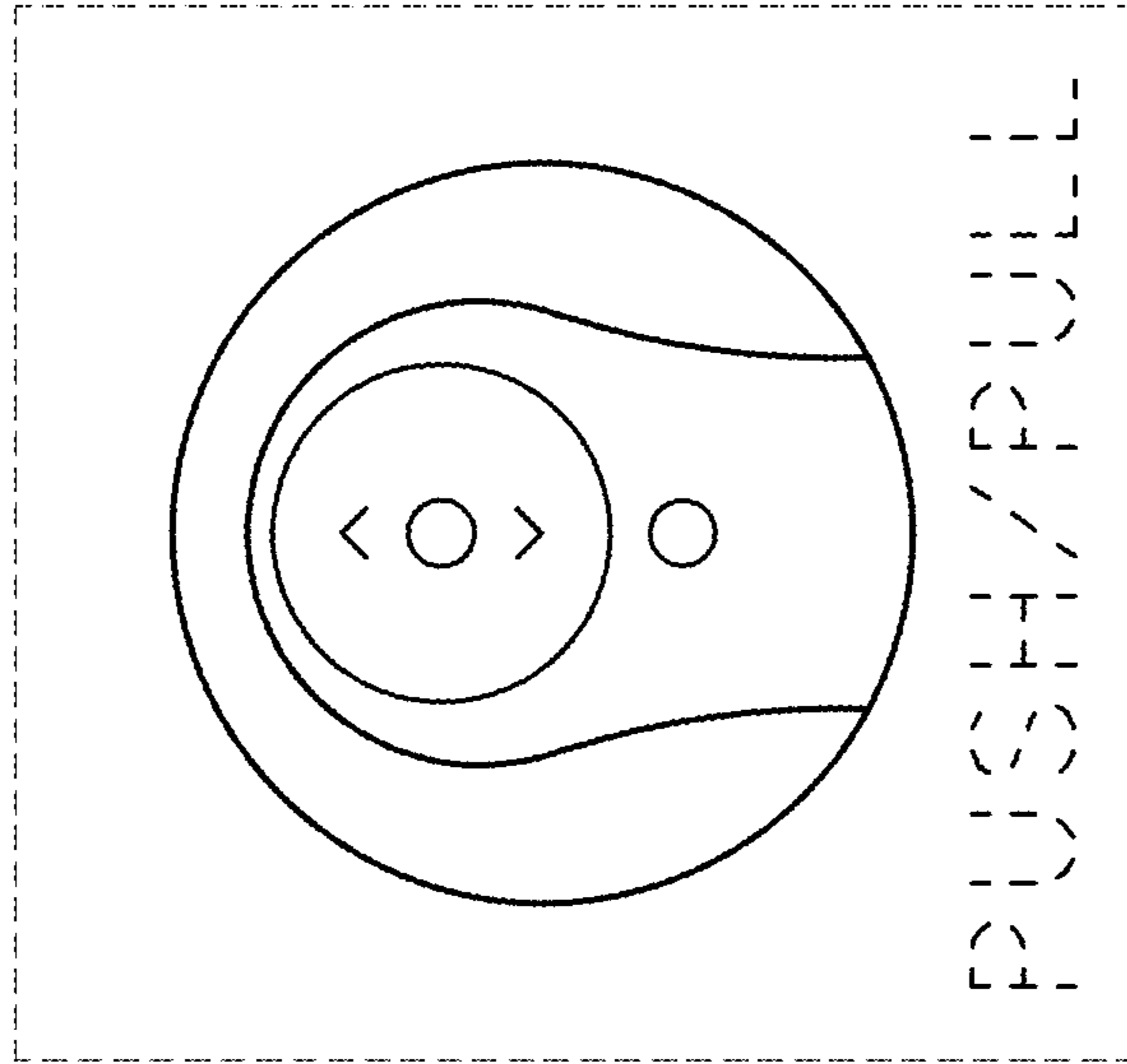
FIG. 2 is a front view of a second embodiment thereof.

The subject matter of the present disclosure includes graphical user interface components present. The broken lines depicting a display panel or portion thereof are included for the purpose of illustrating environmental structure and form no part of the design. The broken lines depicting portions of a graphical user interface are included for illustrating environmental aspects of a display panel or portion thereof with a graphical user interface and form no part of the design.

**1 Claim, 2 Drawing Sheets**



**FIG. 1**



**FIG. 2**

