



US00D883991S

(12) **United States Design Patent** (10) **Patent No.:** **US D883,991 S**
Moore (45) **Date of Patent:** **** May 12, 2020**

(54) **MONITOR FRAME**
(71) Applicant: **Marilyn Moore**, Bronx, NY (US)
(72) Inventor: **Marilyn Moore**, Bronx, NY (US)
(**) Term: **15 Years**
(21) Appl. No.: **29/673,815**
(22) Filed: **Dec. 18, 2018**
(51) **LOC (12) Cl.** **14-02**
(52) **U.S. Cl.**
USPC **D14/450**
(58) **Field of Classification Search**
USPC D14/371-382, 125-129, 336, 337,
D14/447-452, 492, 335, 376-382, 239,
D14/457, 439-441, 432, 251-253;
D8/349, 354, 363, 373, 376, 380;
D21/333; D12/415; D3/218; 348/180,
348/184, 325, 739, 825; 248/323, 278.1,
248/286.1; D6/660, 661, 671, 672, 675,
D6/675.1-675.3, 682, 677.1, 678.1, 678.2,
D6/681.2
CPC G06F 3/0412; G06F 3/016; G06F 3/0488;
G06F 3/011; G06F 3/038; G06F 3/03543;
G06F 3/0338; G06F 3/0202; G06F
3/0219; G06F 3/0213; G06F 1/1616;
G06F 3/023; G06F 3/04883; G02F
1/13338; G02F 1/1313; G02F 1/1333;
G02F 1/135; G02F 1/132; G02F
1/133308; G02F 1/134309; G02F
1/13718; G09G 3/3648; G06K 15/1252;
B41J 2/465; G03F 7/70291; G02B
27/0172; G02B 5/30; G02B 2027/0018;
G02B 27/0101; F16M 13/02; F16M
13/00; F16M 11/10; F16M 11/04; F16M
2200/08; F16M 11/2021; A47B 21/0314;
A47B 88/044; A47B 2200/08; A47B
2021/0335; H02G 3/126; F16B 47/00;
F16B 47/006; A47G 1/17; A47K 2201/00
See application file for complete search history.

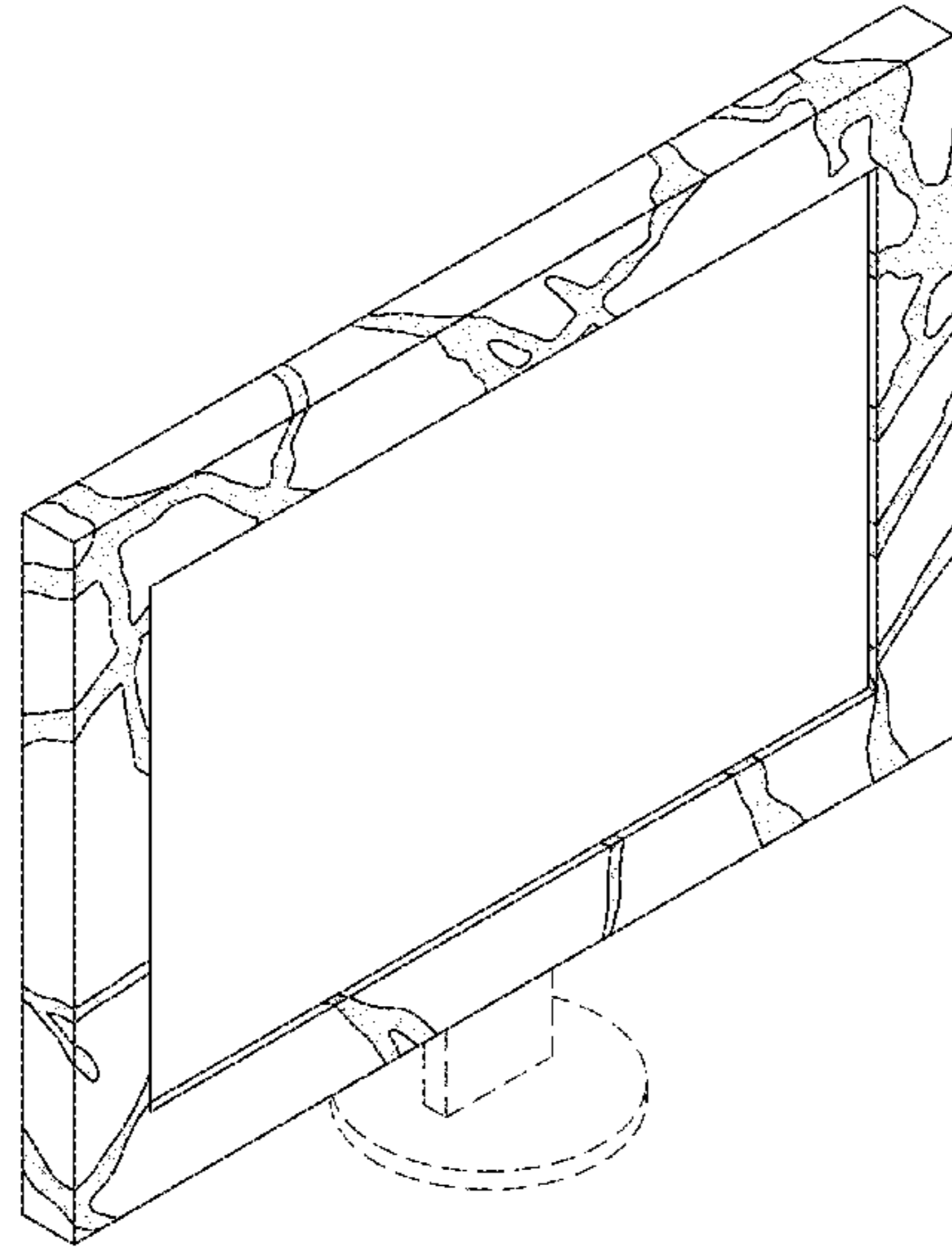
(56) **References Cited**
U.S. PATENT DOCUMENTS
2,028,948 A * 1/1936 Pohlmann D21H 19/68
428/203
6,127,022 A * 10/2000 Pretorius F41H 3/00
428/17
D456,049 S * 4/2002 Hood D21/515
D480,252 S * 10/2003 Jacob D6/608
6,826,863 B1 * 12/2004 Goodfellow G06F 1/1607
248/918
D613,075 S 4/2010 DeNicola
D619,327 S * 7/2010 Pierson D2/501
D623,653 S * 9/2010 Okoshi D14/450
7,808,563 B2 10/2010 Sanchez
D629,623 S * 12/2010 Lampe A41D 13/01
D5/62
D647,909 S * 11/2011 Chou D14/450
D672,157 S * 12/2012 Brookman D5/62
D712,856 S * 9/2014 Thompson D14/126
(Continued)

Primary Examiner — Katie Jane Stofko

(57) **CLAIM**
The ornamental design for a monitor frame, as shown and described.

DESCRIPTION
FIG. 1 is a front view of a monitor frame showing my new design;
FIG. 2 is a rear view of the monitor frame;
FIG. 3 is a right side view of the monitor frame;
FIG. 4 is a left side view of the monitor frame;
FIG. 5 is a top view of the monitor frame;
FIG. 6 is a bottom view of the monitor frame; and,
FIG. 7 is a top front side perspective view of the monitor frame in use.
The broken lines in FIG. 7 are illustrative of environmental structure forming no part of the claimed design.

1 Claim, 4 Drawing Sheets



(56)

References Cited

U.S. PATENT DOCUMENTS

D755,744	S	5/2016	Williams	
D823,759	S *	7/2018	Spencer	D12/193
2005/0047616	A1	3/2005	Lee	
2007/0046841	A1	3/2007	Jacobsmeier	
2007/0258203	A1	11/2007	Sturmthal	
2015/0274407	A1	3/2015	Wright	
2015/0123996	A1 *	5/2015	Ohashi	G02B 27/017 345/633
2016/0331157	A1	11/2016	Best	

* cited by examiner



FIG. 1

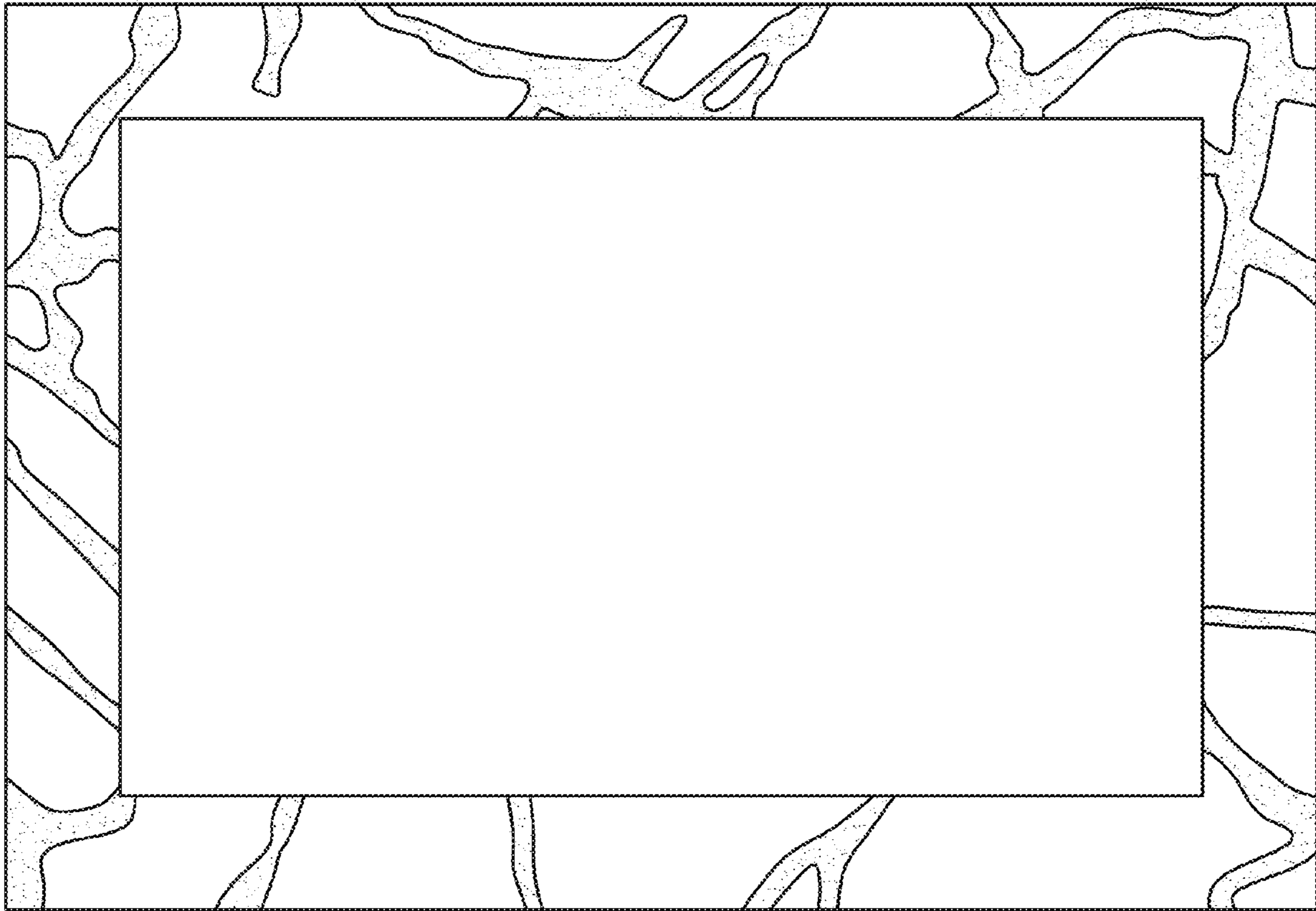


FIG. 2



FIG. 3



FIG. 4



FIG. 5



FIG. 6

FIG. 7

