



US00D883990S

(12) **United States Design Patent** (10) **Patent No.:** **US D883,990 S**  
**Yao et al.** (45) **Date of Patent:** **\*\* May 12, 2020**

(54) **COMPUTER MONITOR CLIP**

A47B 88/044; A47B 2021/0335; H02G 3/126; F16B 47/00; F16B 47/006; A47G 1/17; A47K 2201/00

(71) Applicant: **MOBILE PIXELS INC.**, Irwindale, CA (US)

See application file for complete search history.

(72) Inventors: **Xiaoliang Yao**, Burlington, MA (US); **Wenglong Ng**, Burlington, MA (US)

(56) **References Cited**

U.S. PATENT DOCUMENTS

(73) Assignee: **MOBILE PIXELS INC.**, Irwindale, CA (US)

D247,194	S	*	2/1978	Win	.....	D26/152
4,569,613	A	*	2/1986	Thomas	.....	B42D 3/18 281/45
4,614,838	A	*	9/1986	Sandstrom	.....	H02G 3/0425 174/70 C
D290,404	S	*	6/1987	Stoler	.....	D25/119
4,867,479	A	*	9/1989	Mizutani	.....	B42F 9/007 281/48
5,471,808	A	*	12/1995	De Pieri	.....	E04B 2/18 446/128
D374,650	S	*	10/1996	Shermeto	.....	D12/223
D456,796	S	*	5/2002	Silver	.....	D14/217
D534,588	S	*	1/2007	Nuttall	.....	D19/65
D665,123	S	*	8/2012	Douglas	.....	D26/138
D674,220	S	*	1/2013	Kim	.....	D6/702
D779,713	S	*	2/2017	Sonneman	.....	D26/138
D791,400	S	*	7/2017	Sonneman	.....	D26/138

(\*\*) Term: **15 Years**

(21) Appl. No.: **29/688,008**

(22) Filed: **Apr. 17, 2019**

(51) **LOC (12) Cl.** ..... **14-02**

(52) **U.S. Cl.**

USPC ..... **D14/448**

(58) **Field of Classification Search**

USPC ..... D14/371-382, 125-129, 336, 337, D14/447-452, 492, 335, 376-382, 239, D14/457, 439-441, 432, 251-253; D8/349, 354, 363, 367, 372, 373, 376, D8/380, 382; D21/333; D12/415; D3/10, 218; 348/180, 184, 325, 739, 348/825; 248/323, 278.1, 286.1

CPC ..... G06F 3/0412; G06F 3/016; G06F 3/0488; G06F 3/011; G06F 3/038; G06F 3/03543; G06F 3/0338; G06F 3/0202; G06F 3/0219; G06F 3/0213; G06F 1/1616; G06F 3/023; G06F 3/04883; G02F 1/13338; G02F 1/1313; G02F 1/1333; G02F 1/135; G02F 1/132; G02F 1/133308; G02F 1/134309; G02F 1/13718; G09G 3/3648; G06K 15/1252; G03F 7/70291; B41J 2/465; G02B 27/0172; G02B 5/30; G02B 2027/0118; G02B 27/0101; F16M 13/02; F16M 13/00; F16M 11/10; F16M 11/04; F16M 2200/08; F16M 11/2021; A47B 21/0314;

\* cited by examiner

*Primary Examiner* — Katie Jane Stofko

(74) *Attorney, Agent, or Firm* — Lando & Anastasi, LLP

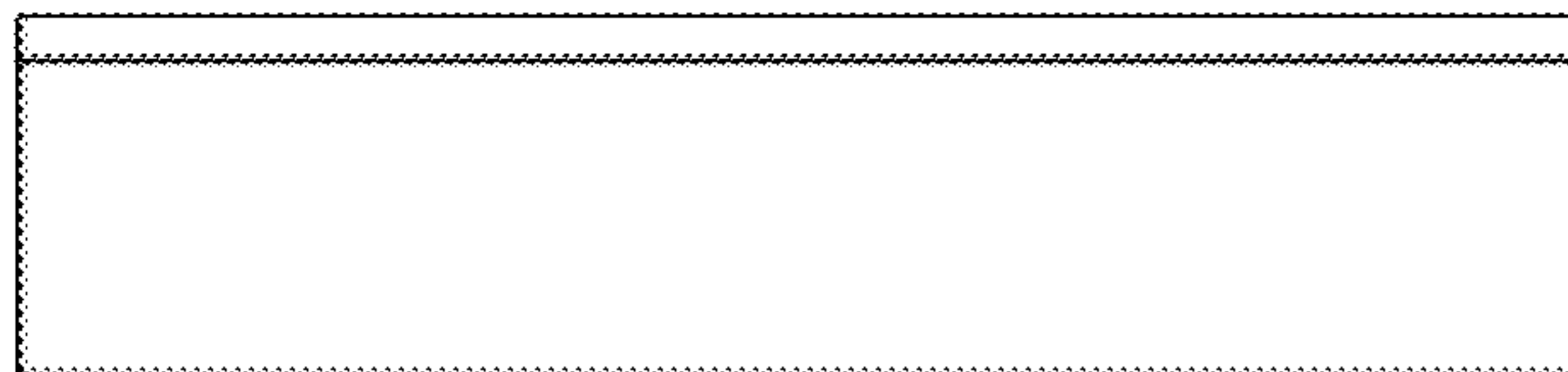
(57) **CLAIM**

The ornamental design for a computer monitor clip, as shown and described.

**DESCRIPTION**

FIG. 1 is a top plan view of a computer monitor clip design;  
 FIG. 2 is a bottom plan view thereof;  
 FIG. 3 is a front view thereof;  
 FIG. 4 is a right side view, with the left side view being a mirror image view thereof;  
 FIG. 5 is a top front perspective view thereof; and,  
 FIG. 6 is a bottom front perspective view thereof.

**1 Claim, 3 Drawing Sheets**



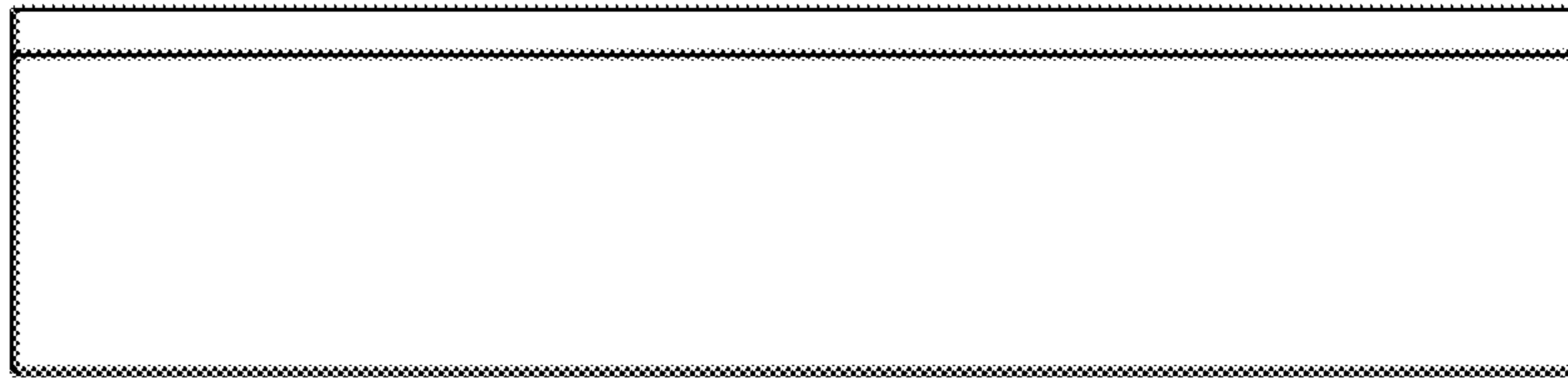


FIG. 1

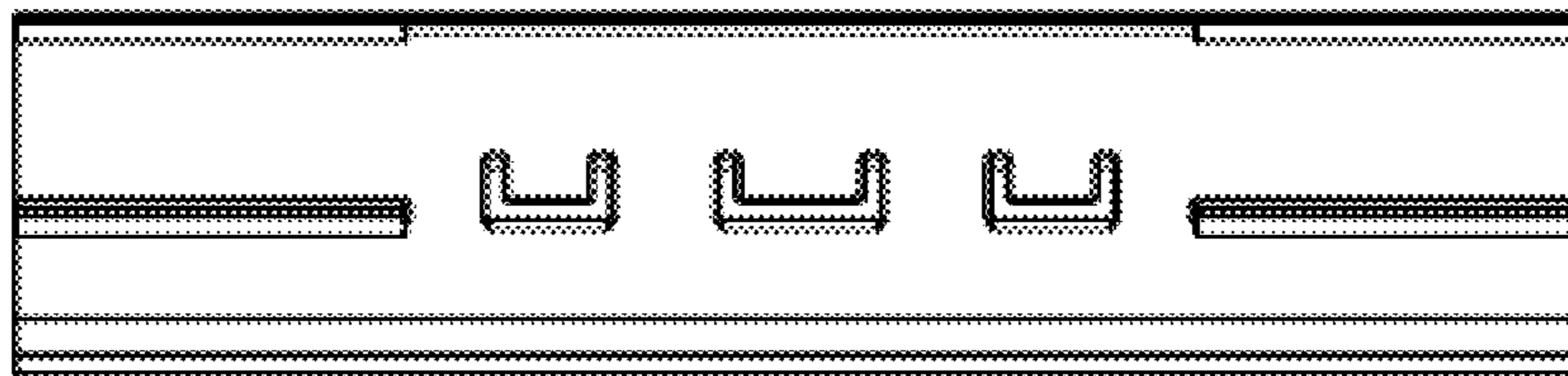


FIG. 2



FIG. 3

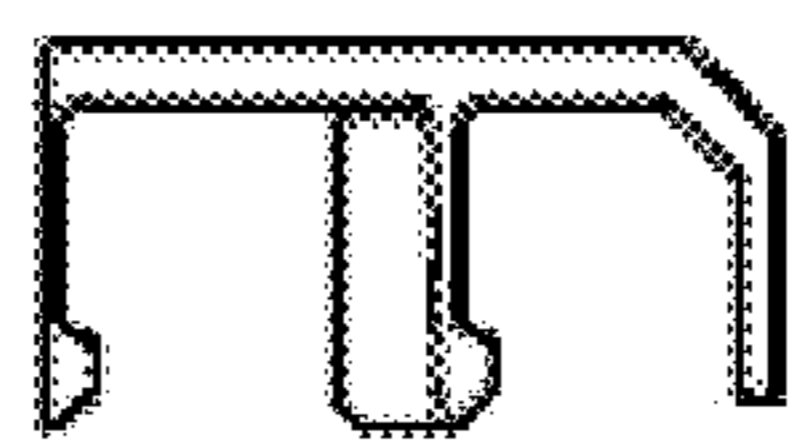


FIG. 4

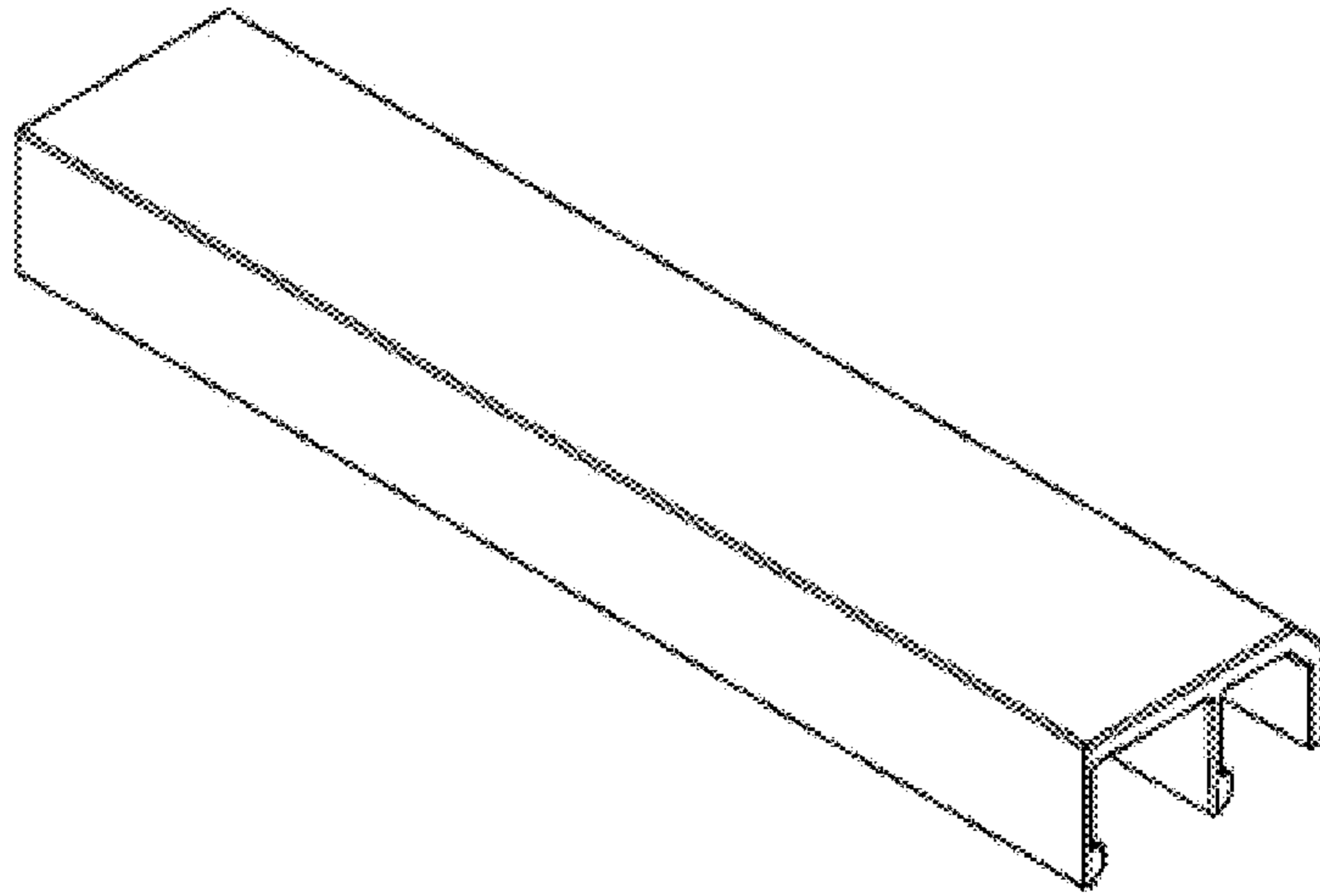


FIG. 5

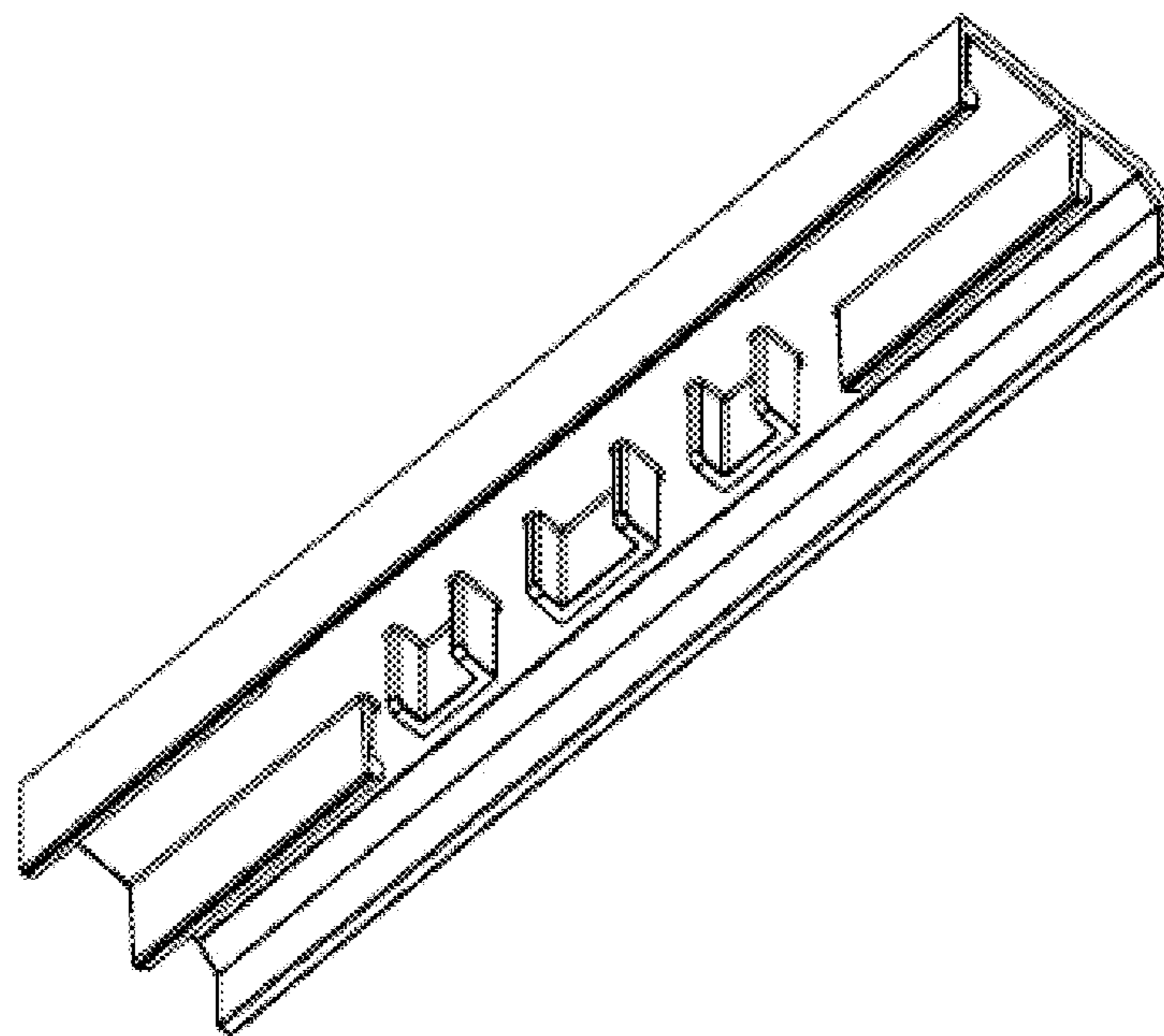


FIG. 6