



US00D883989S

(12) **United States Design Patent**
Cheng

(10) **Patent No.:** **US D883,989 S**

(45) **Date of Patent:** **** May 12, 2020**

(54) **TABLET CASE**

(71) Applicant: **Jinhua Cheng**, Anqing (CN)

(72) Inventor: **Jinhua Cheng**, Anqing (CN)

(**) Term: **15 Years**

(21) Appl. No.: **29/721,568**

(22) Filed: **Jan. 22, 2020**

(51) **LOC (12) Cl.** **14-02**

(52) **U.S. Cl.**
USPC **D14/440**

(58) **Field of Classification Search**
USPC D14/440, 447, 250; 206/45.23, 320,
206/45.2; 361/679.55; 294/25; 224/218;
D3/294; D9/420
CPC G06F 1/1628; G06F 1/1626; A47B 23/044
See application file for complete search history.

(56) **References Cited**

U.S. PATENT DOCUMENTS

D597,052 S *	7/2009	Kim	D14/138 AB
D634,314 S *	3/2011	Fahrendorff	D14/250
D649,144 S *	11/2011	Fathollahi	D14/250
D685,358 S *	7/2013	Armstrong	D14/250
D685,786 S *	7/2013	Seoc	D14/353
D690,292 S *	9/2013	Bibla	D14/250
D715,785 S *	10/2014	Jacob	D14/250
D719,144 S *	12/2014	Eulette	D14/250
D721,686 S *	1/2015	Jacob	D14/250
D733,696 S *	7/2015	Burgett	D14/250
D742,869 S *	11/2015	Odhwani	D14/250
D752,593 S *	3/2016	Diebel	G06F 1/1679 D14/440
D768,123 S *	10/2016	Armstrong	D14/250
D770,458 S *	11/2016	Corcoran	D14/440
D772,288 S *	11/2016	Montes	D14/488
D775,198 S *	12/2016	Montes	D14/489
D794,626 S *	8/2017	Armstrong	D14/250
D806,082 S *	12/2017	Armstrong	D14/440

D807,892 S *	1/2018	Wang	D14/440
D825,571 S *	8/2018	Shannon, III	D14/440
D832,269 S *	10/2018	Cheng	D14/440
D832,270 S *	10/2018	Cheng	D14/440
D832,271 S *	10/2018	Cheng	D14/440
10,148,307 B2 *	12/2018	Shannon, III	H04B 1/3888
D844,621 S *	4/2019	Chen	D14/440
D845,305 S *	4/2019	Xu	D14/440
D846,552 S *	4/2019	Feng	D14/440
D846,553 S *	4/2019	Feng	D14/440
D851,648 S *	6/2019	Tan	D14/440
D871,415 S	12/2019	Lin		
D872,093 S	1/2020	Xu		
2008/0029412 A1 *	2/2008	Ho	A47B 21/0314 206/320
2008/0167095 A1 *	7/2008	Kim	H04M 1/0216 455/575.3

(Continued)

Primary Examiner — Cynthia R Underwood

(74) *Attorney, Agent, or Firm* — HYIP

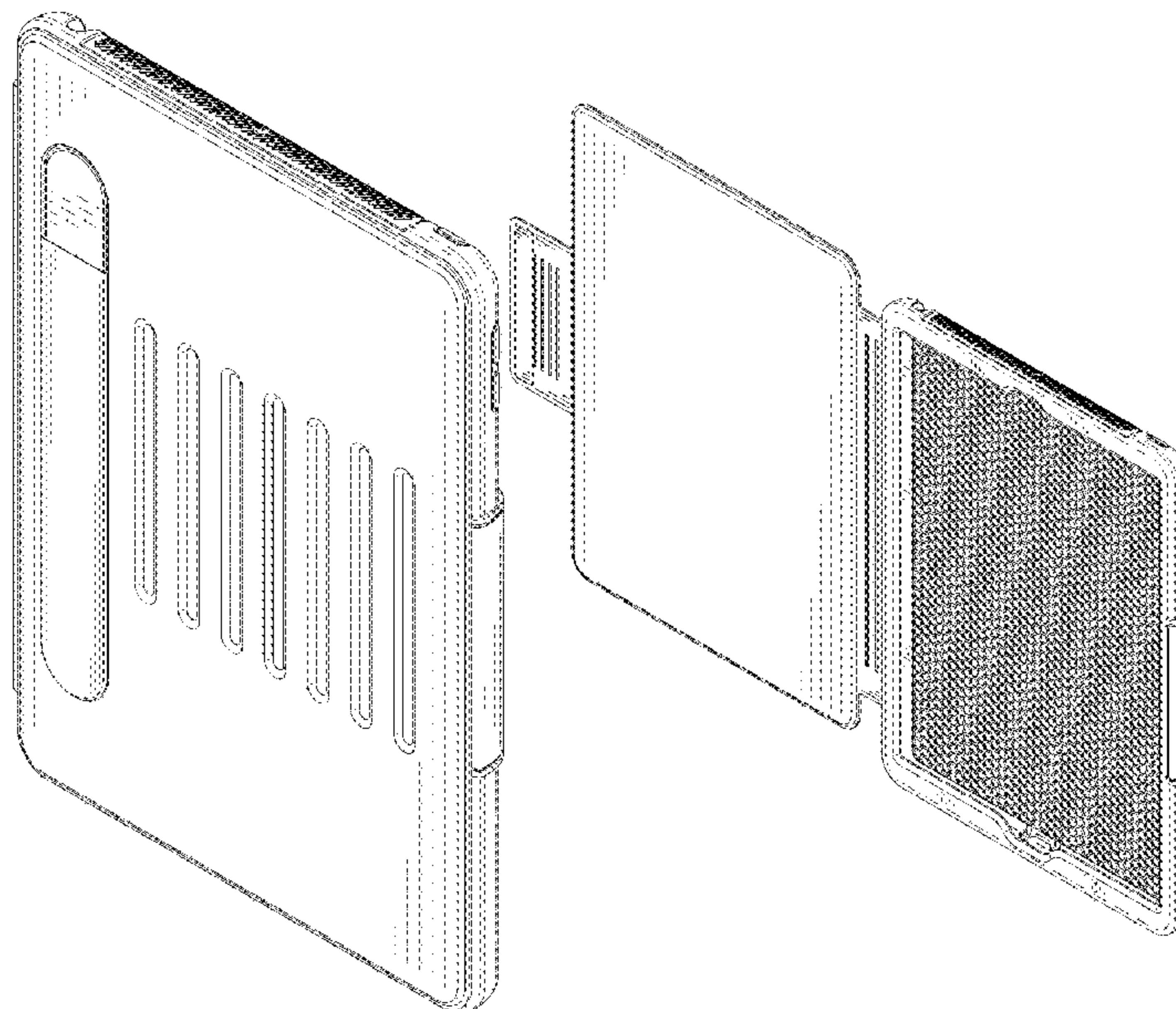
(57) **CLAIM**

The ornamental design for a tablet case, as shown and described.

DESCRIPTION

FIG. 1 is a first perspective view of a tablet case showing my new design;
FIG. 2 is a second perspective view thereof;
FIG. 3 is a front view thereof;
FIG. 4 is a back view thereof;
FIG. 5 is a left side view thereof;
FIG. 6 is a right side view thereof;
FIG. 7 is a top view thereof;
FIG. 8 is a bottom view thereof;
FIG. 9 is a perspective view of another state of the tablet case thereof; and,
FIG. 10 is an enlarged view of the selected portion in FIG. 2.

1 Claim, 10 Drawing Sheets



(56)

References Cited

U.S. PATENT DOCUMENTS

2009/0159763	A1*	6/2009	Kim	F16M 13/00	248/174
2009/0194209	A1*	8/2009	De Filippis	A45C 11/00	150/107
2011/0266194	A1*	11/2011	Bau	A45C 11/00	206/736
2011/0297566	A1*	12/2011	Gallagher	F16M 11/105	206/320
2012/0268891	A1*	10/2012	Cencioni	G06F 1/1626	361/679.55
2013/0088431	A1*	4/2013	Ballagas	G06F 1/1626	345/168
2013/0223005	A1*	8/2013	Smith	G06F 1/1628	361/679.55
2013/0233762	A1*	9/2013	Balaji	B65D 25/00	206/736
2013/0241381	A1*	9/2013	Hynecek	H05K 5/0217	312/240
2014/0246340	A1*	9/2014	Jiang	A45C 11/00	206/45.23
2015/0065208	A1*	3/2015	Balaji	H04M 1/04	455/575.8
2015/0151887	A1*	6/2015	Huang	A45C 11/00	224/191
2015/0237979	A1*	8/2015	Huang	A45C 11/00	206/45.25
2015/0263776	A1*	9/2015	Shyu	A45C 13/002	455/575.8
2015/0266610	A1*	9/2015	Melmon	B65D 5/5206	206/45.23
2015/0280768	A1*	10/2015	Huang	H04B 1/3888	455/575.8
2015/0296060	A1*	10/2015	Gu	H04M 1/0235	455/575.4
2019/0142992	A1*	5/2019	Davidson	C08G 18/10	424/445
2019/0144163	A1*	5/2019	Lim	B65D 19/0028	108/53.5
2019/0149808	A1*	5/2019	Ng	H04N 13/305	348/59
2019/0275714	A1*	9/2019	Kanoh	B29C 45/14065	

* cited by examiner

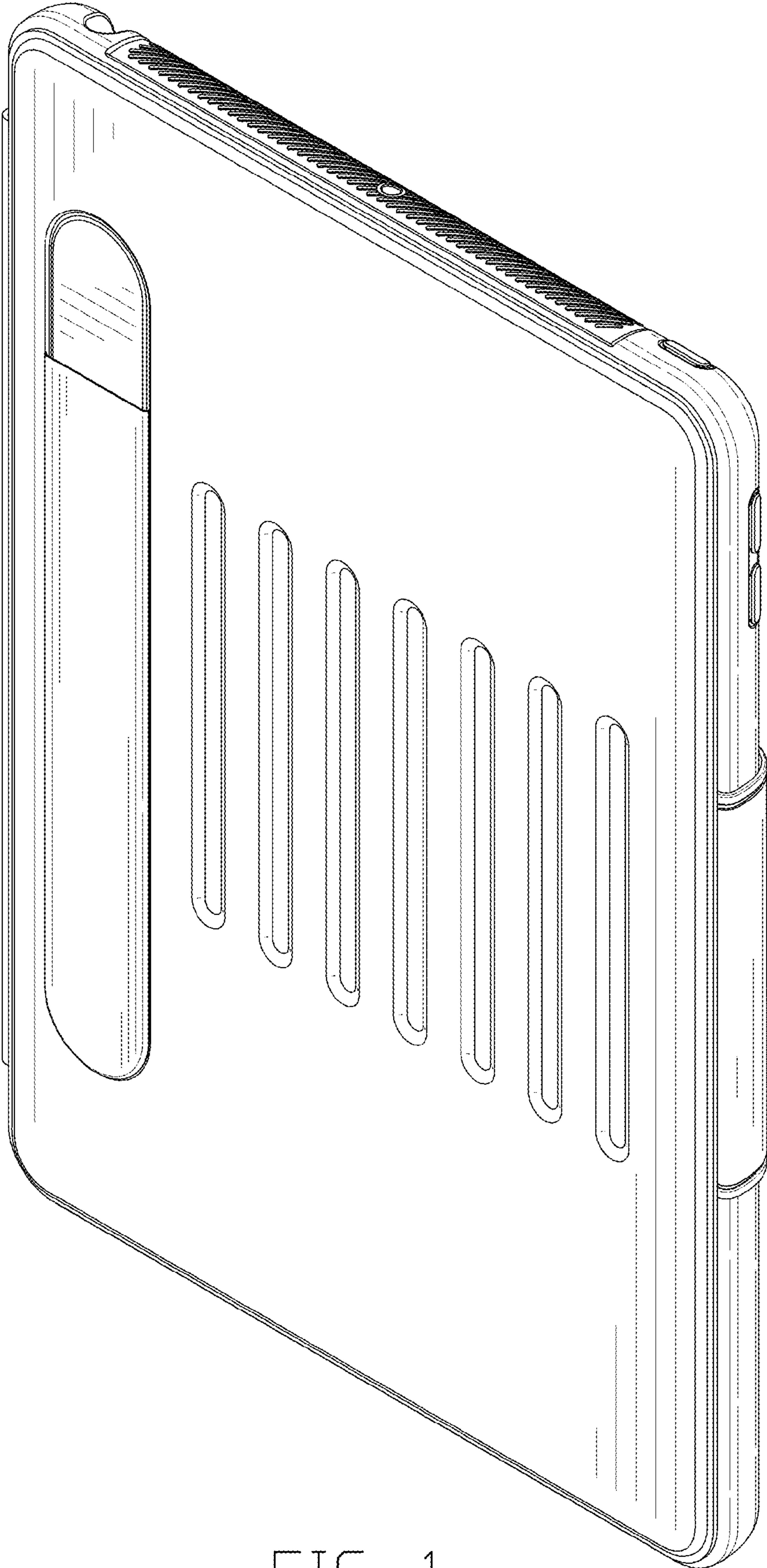


FIG. 1

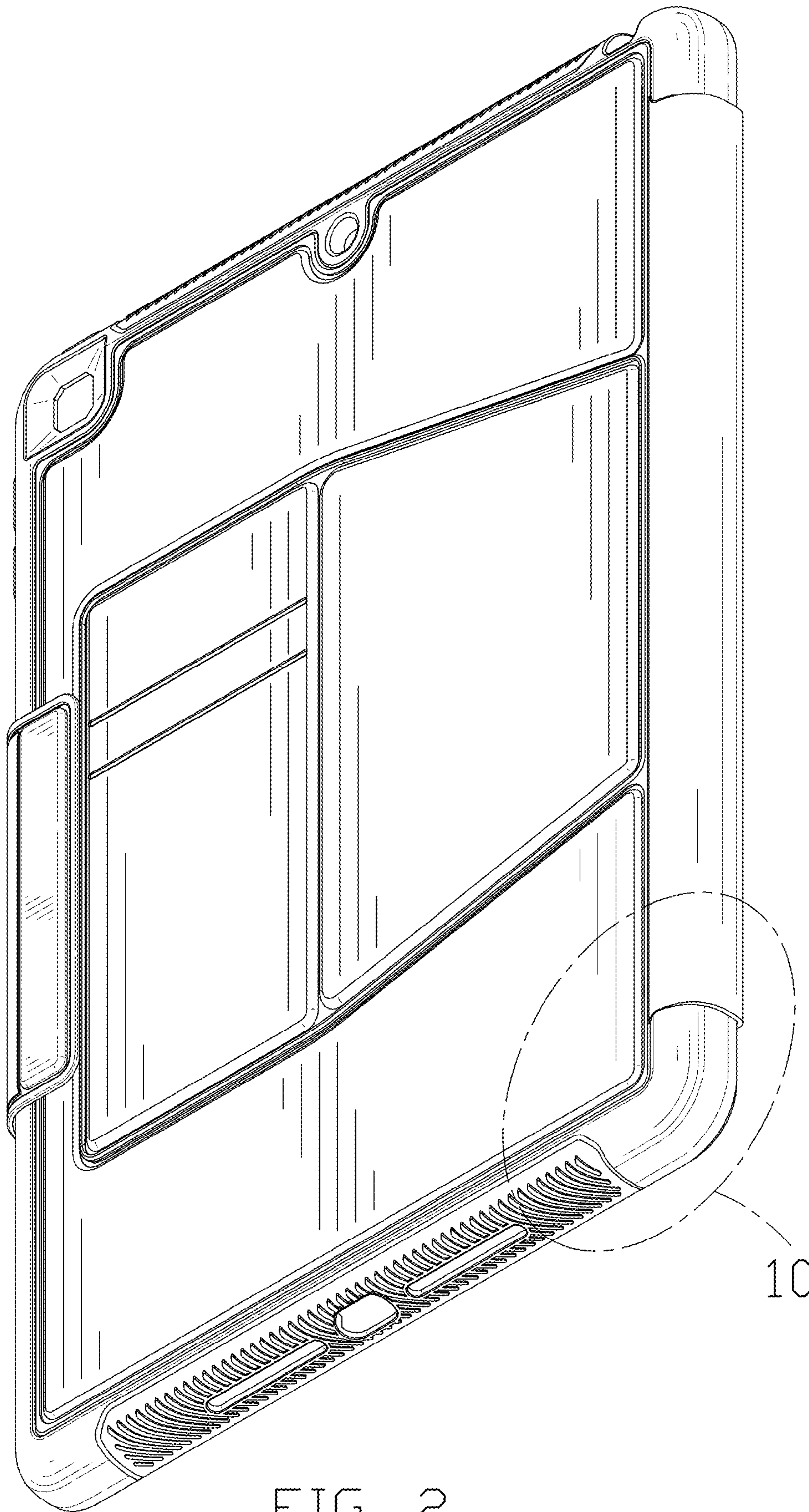


FIG. 2

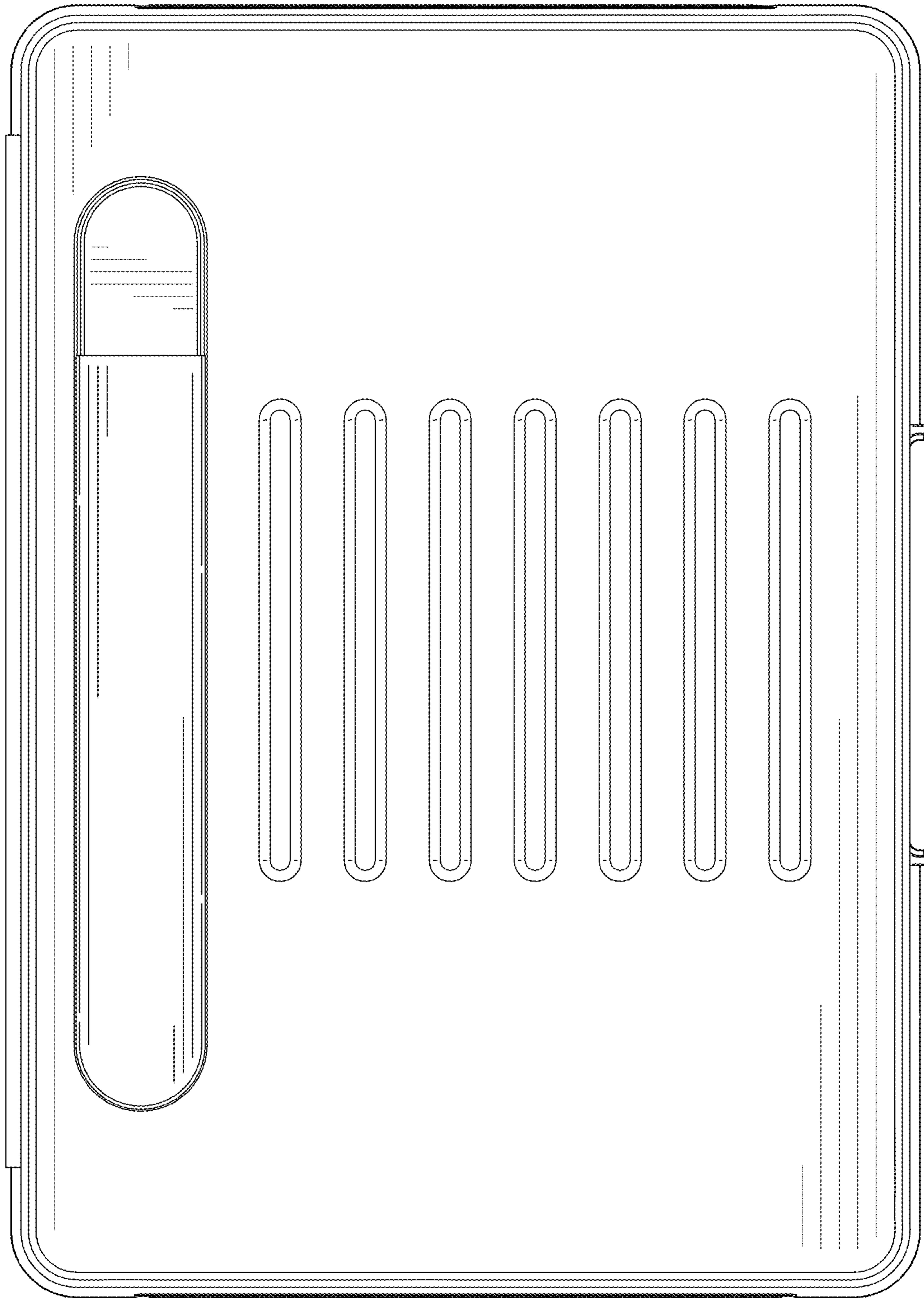


FIG. 3

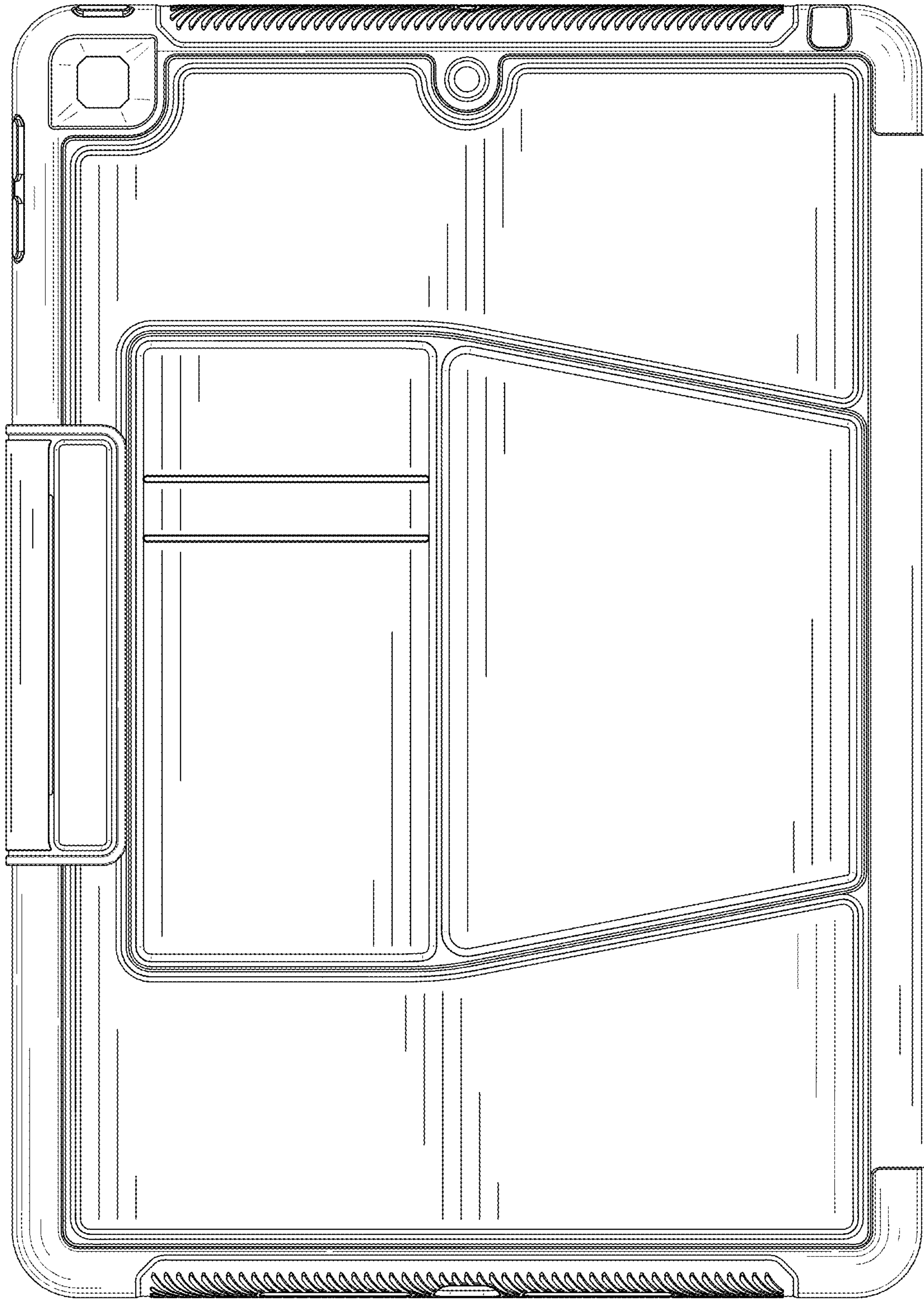


FIG. 4

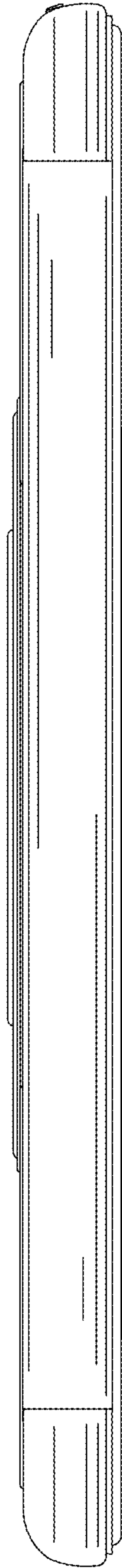


FIG. 5

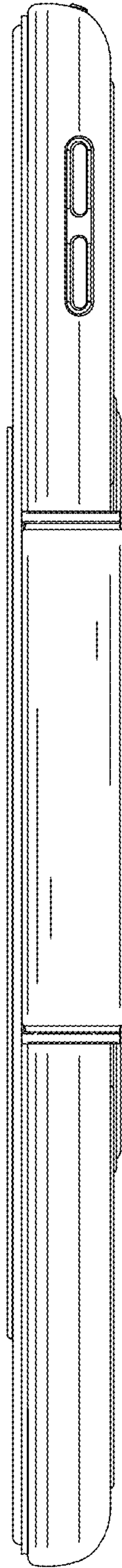


FIG. 6

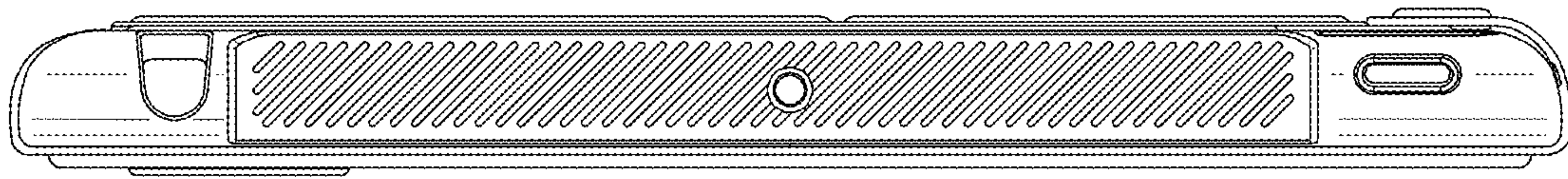


FIG. 7

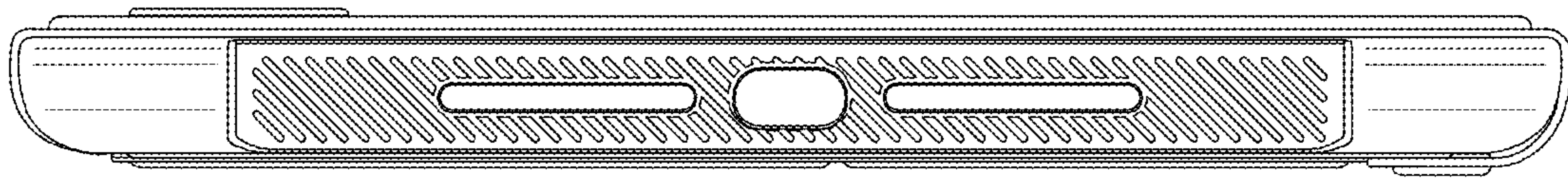


FIG. 8

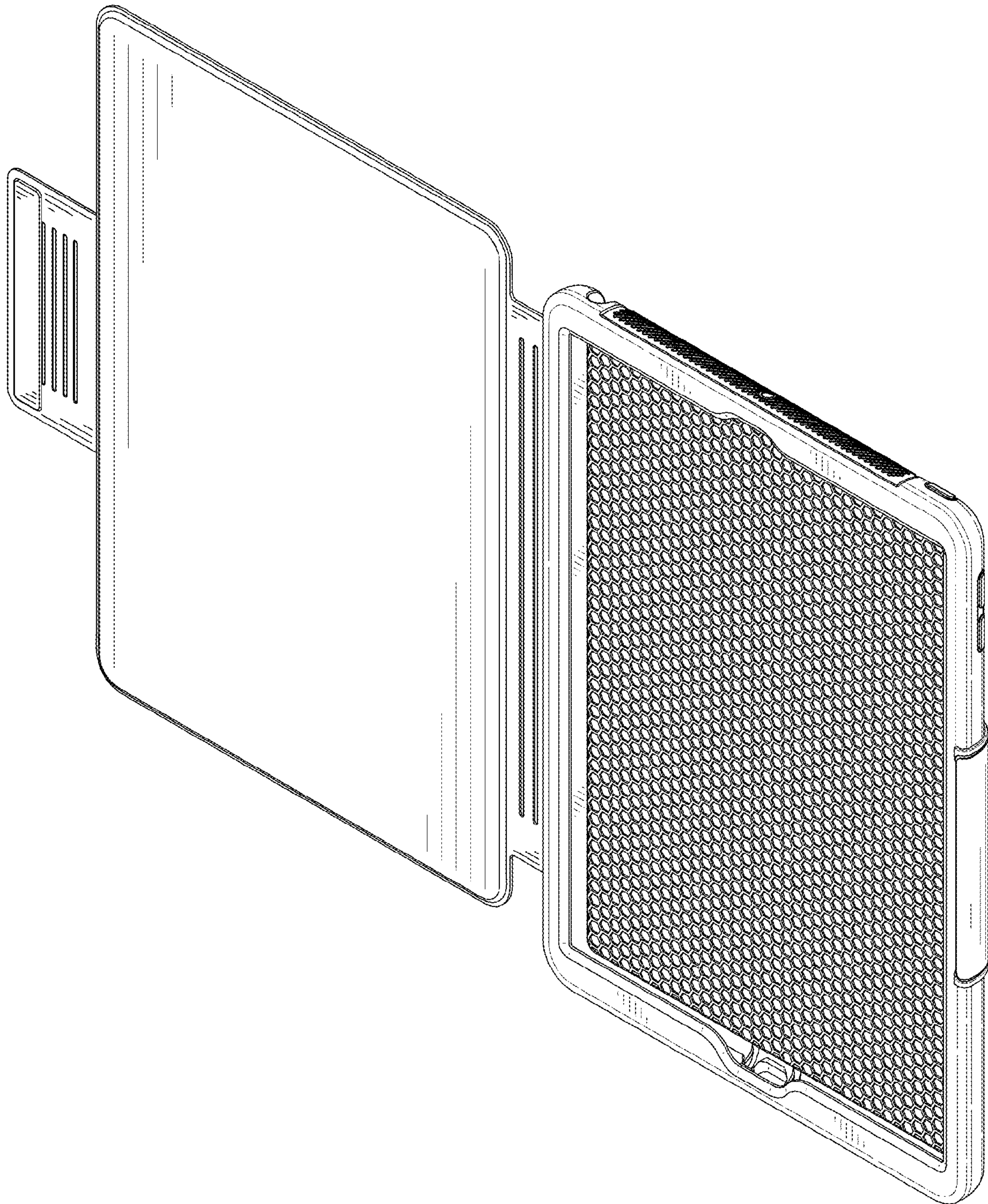


FIG. 9

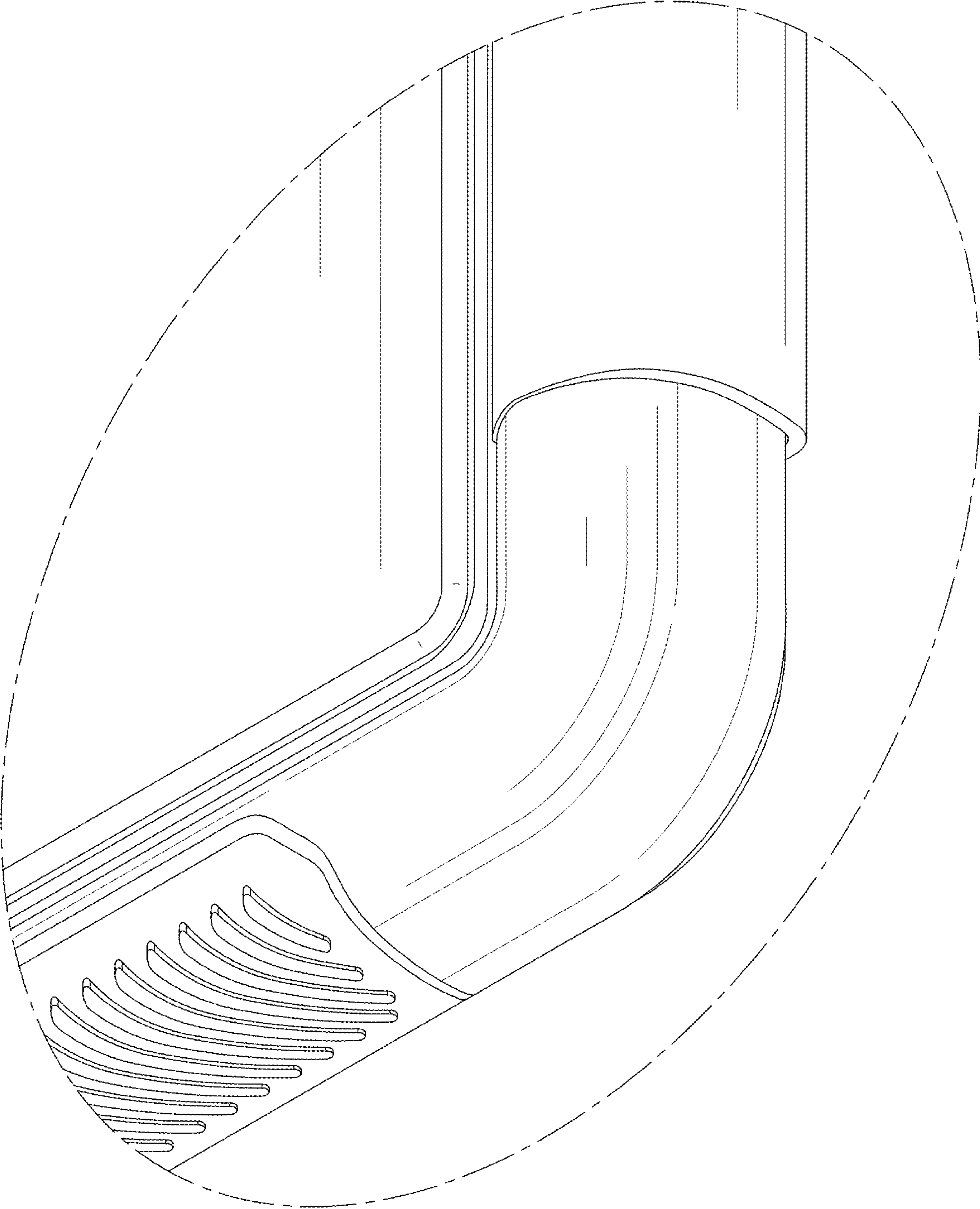


FIG. 10