



US00D883987S

(12) **United States Design Patent**
Cheng

(10) **Patent No.:** **US D883,987 S**

(45) **Date of Patent:** **** May 12, 2020**

(54) **PROTECTIVE COVER FOR LAPTOP**

(71) Applicant: **Jinhua Cheng**, Anhui (CN)

(72) Inventor: **Jinhua Cheng**, Anhui (CN)

(**) Term: **15 Years**

(21) Appl. No.: **29/674,758**

(22) Filed: **Dec. 26, 2018**

(51) **LOC (12) Cl.** **14-02**

(52) **U.S. Cl.**
USPC **D14/440**

(58) **Field of Classification Search**
USPC 206/320; D14/440, 447, 250;
361/679.55; 294/25; 224/218
See application file for complete search history.

(56) **References Cited**

U.S. PATENT DOCUMENTS

6,726,070	B2 *	4/2004	Lautner	A44C 5/0007 224/221
D721,376	S *	1/2015	Lee	D14/440
D747,321	S *	1/2016	London	D14/440
D749,592	S *	2/2016	Huang	D14/440
D806,083	S *	12/2017	Armstrong	D14/440
D811,412	S *	2/2018	McCurdy	D14/440
D817,316	S *	5/2018	Srouf	D14/251
D837,219	S *	1/2019	Gao	D14/440
D852,802	S *	7/2019	Gao	D14/440
2004/0226973	A1 *	11/2004	Kao	F16M 11/041 224/218
2007/0215512	A1 *	9/2007	Bellissimo	A47G 23/0625 206/557
2009/0219677	A1 *	9/2009	Mori	A45F 3/14 361/679.03

2011/0267748	A1 *	11/2011	Lane	A45F 5/00 361/679.01
2011/0309117	A1 *	12/2011	Roberts	A45F 5/00 224/217
2012/0091312	A1 *	4/2012	Baker	F16M 13/00 248/682
2014/0054910	A1 *	2/2014	Kim	H04B 1/385 294/158
2014/0152034	A1 *	6/2014	Tussy	F16M 13/04 294/142
2015/0009610	A1 *	1/2015	London	G06F 1/163 361/679.03

* cited by examiner

Primary Examiner — Cynthia R Underwood

(74) *Attorney, Agent, or Firm* — HYIP

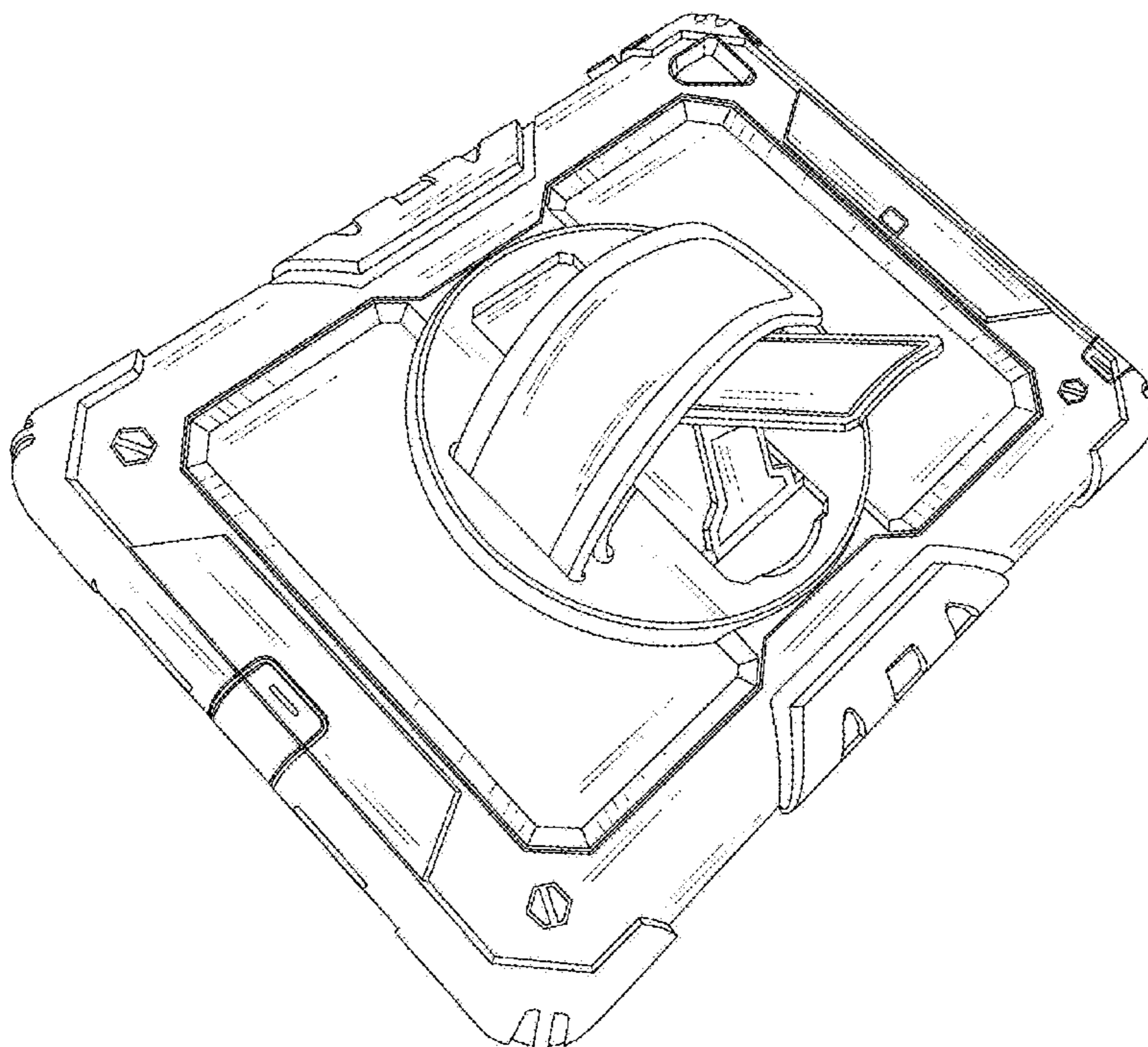
(57) **CLAIM**

The ornamental design for a protective cover for laptop, as shown and described.

DESCRIPTION

FIG. 1 is a front and right side perspective view of a protective cover for laptop showing my new design; FIG. 2 is a rear perspective view thereof; FIG. 3 is a front elevation view thereof; FIG. 4 is a rear elevation view thereof; FIG. 5 is a left side elevation view thereof; FIG. 6 is a right side elevation view thereof; FIG. 7 is a top plan view thereof; FIG. 8 is a bottom plan view thereof; and, FIG. 9 is another rear perspective view thereof, showing in a state of use.

1 Claim, 9 Drawing Sheets



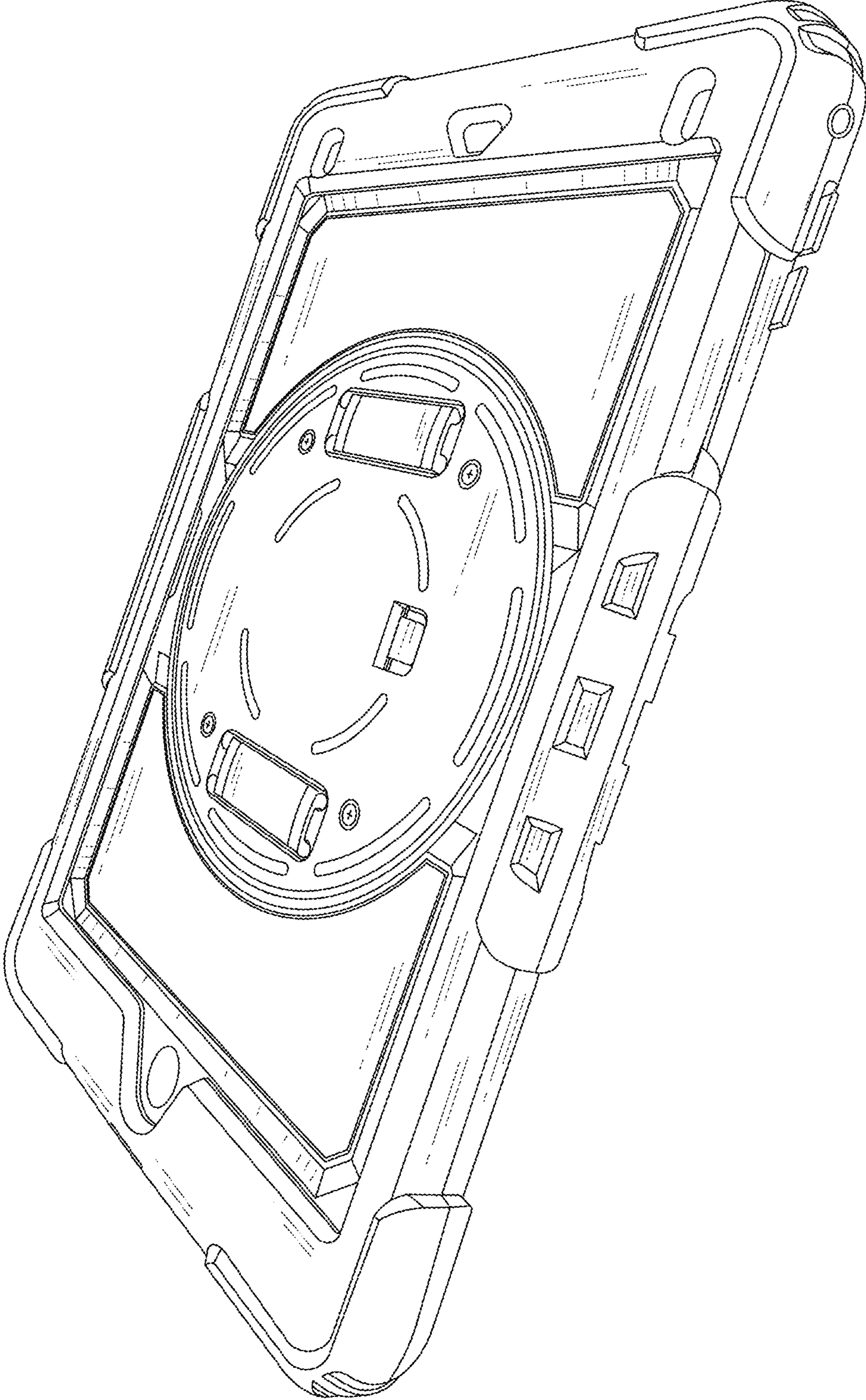


FIG.1

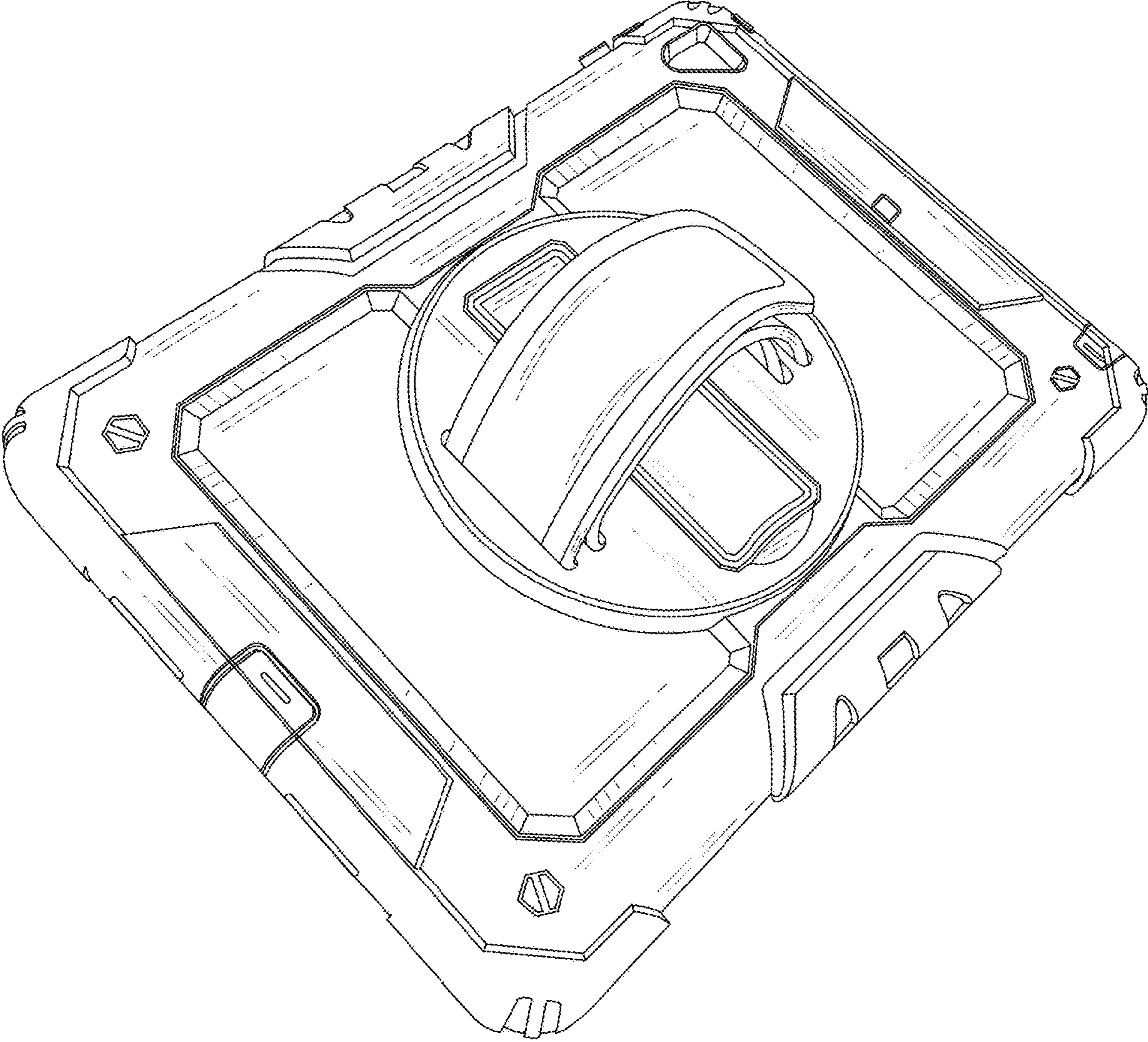


FIG.2

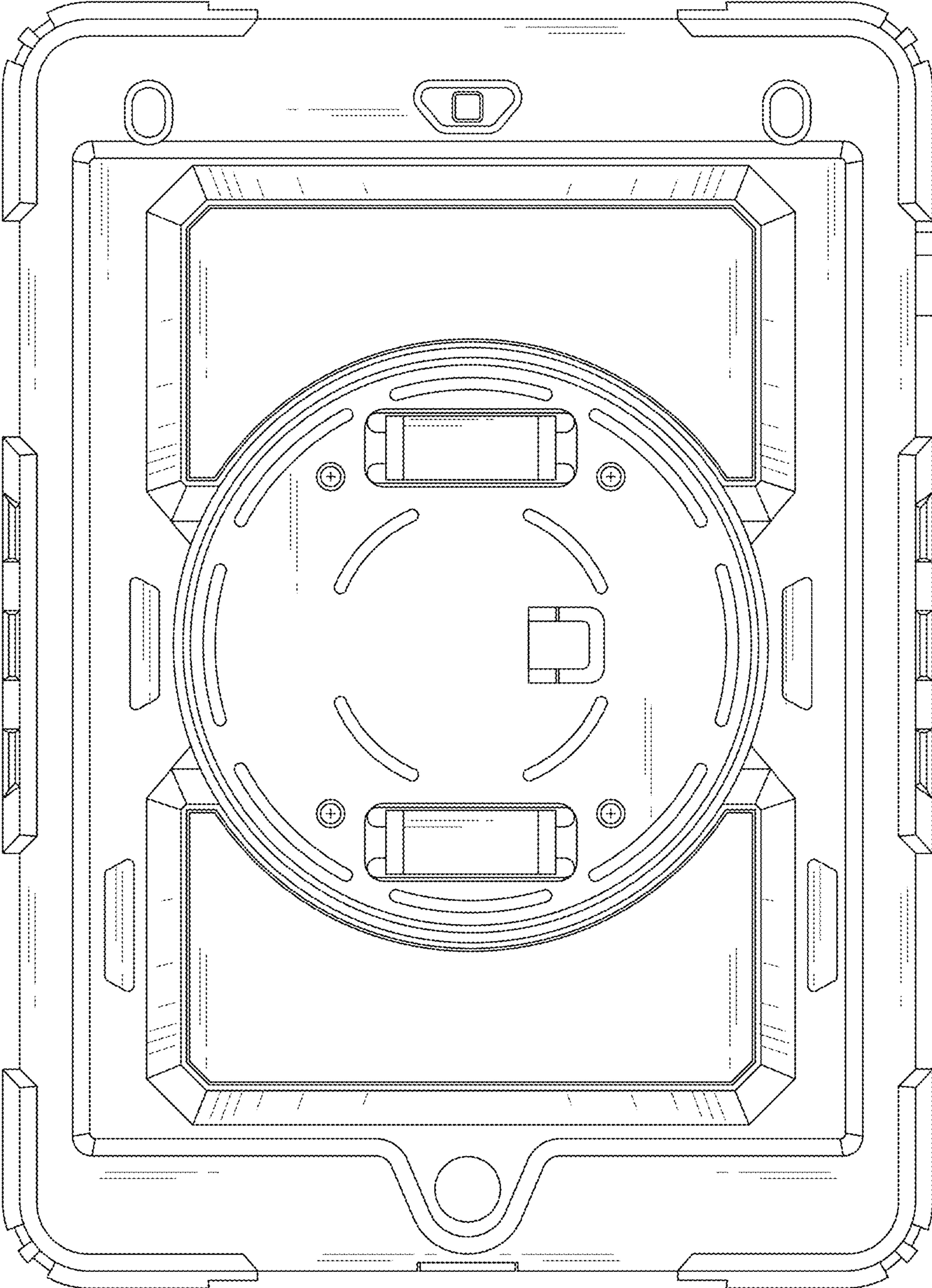


FIG.3

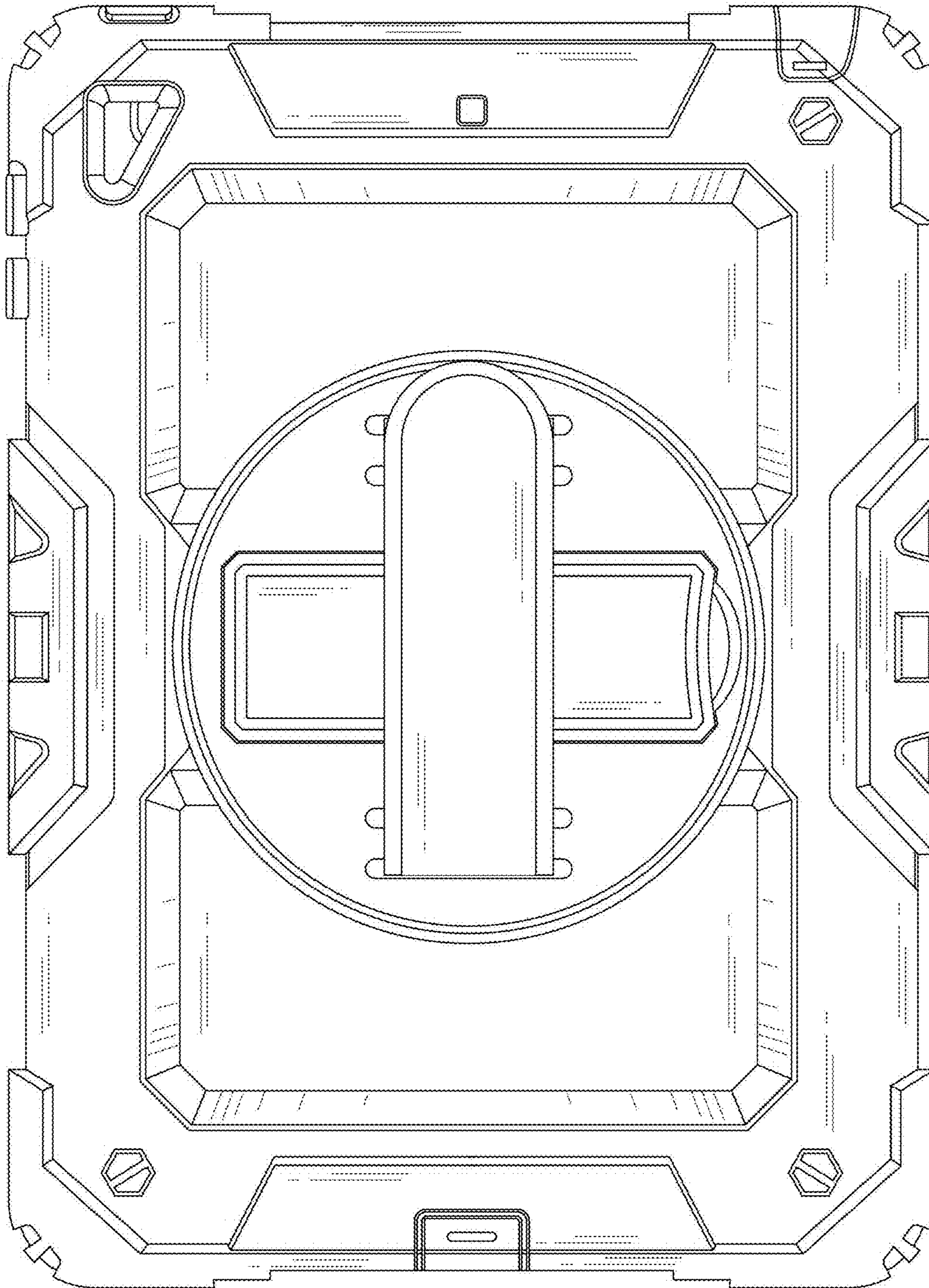


FIG.4

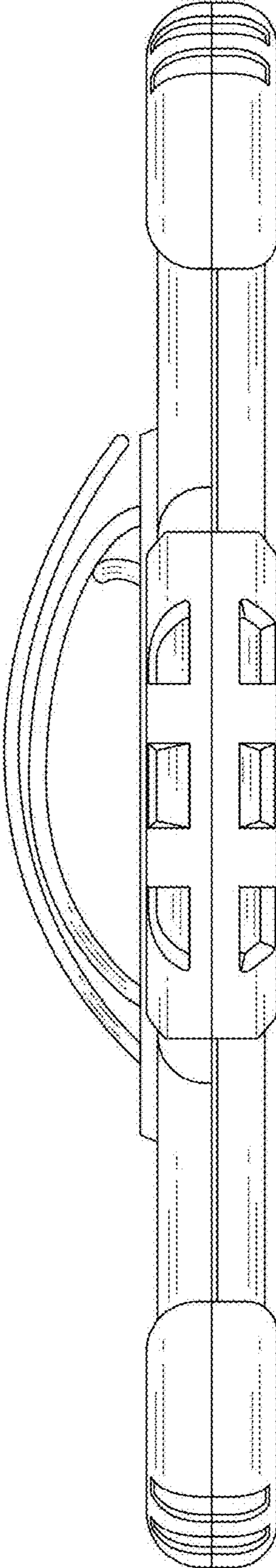


FIG.5

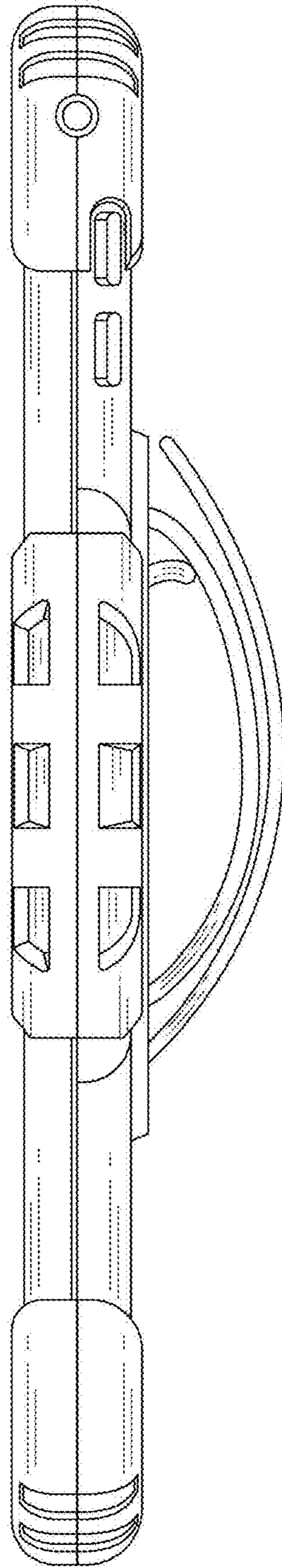


FIG.6

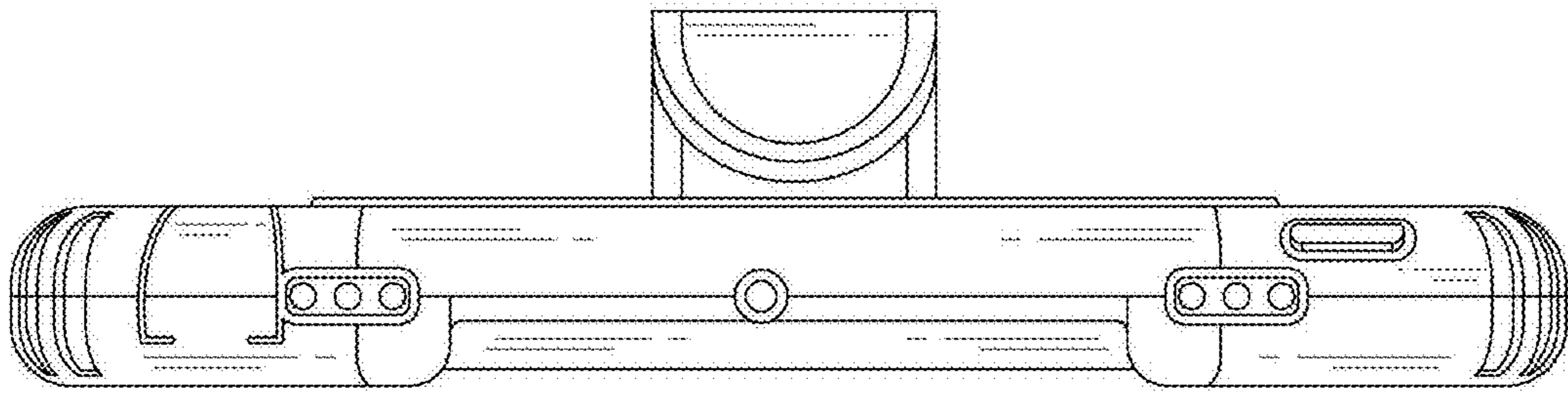


FIG.7

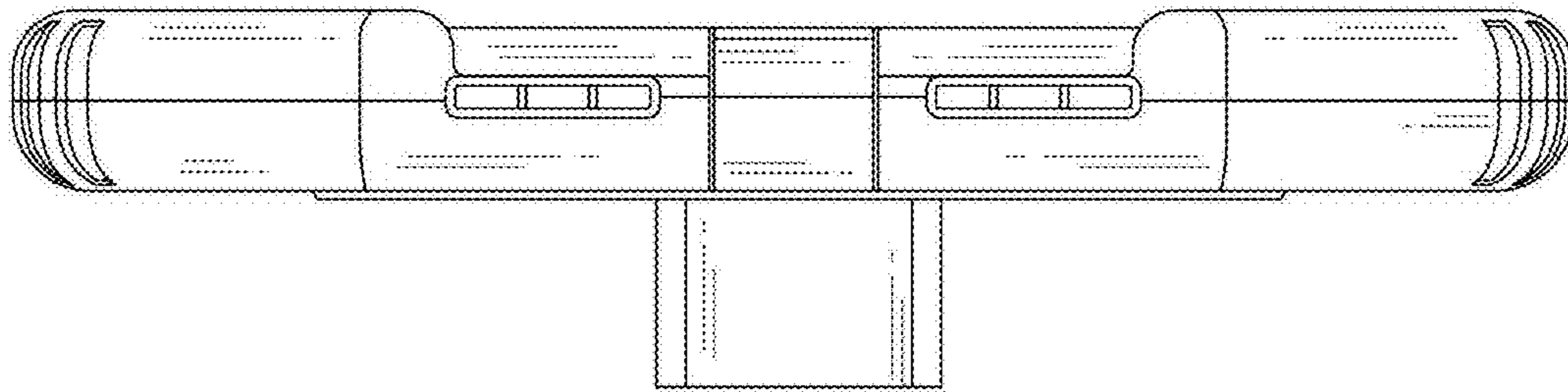


FIG. 8

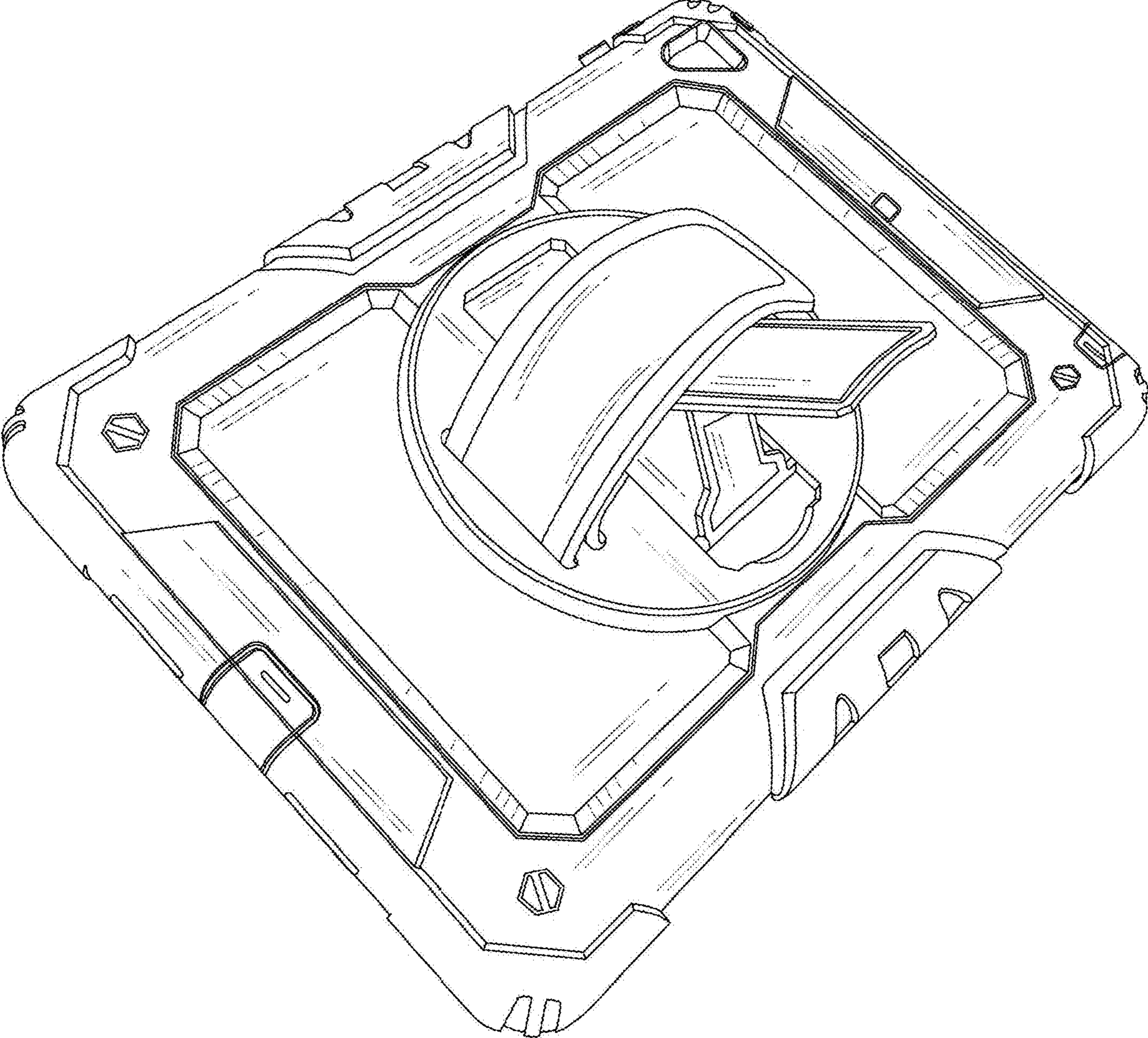


FIG. 9