



US00D883986S

(12) **United States Design Patent** (10) **Patent No.:** **US D883,986 S**
Akana et al. (45) **Date of Patent:** **** May 12, 2020**

(54) **COVER**

CPC G06F 1/1628; G06F 1/1626; A47B 23/044
See application file for complete search history.

(71) Applicant: **Apple Inc.**, Cupertino, CA (US)

(72) Inventors: **Jody Akana**, San Francisco, CA (US);
Molly Anderson, San Francisco, CA (US); **Bartley K. Andre**, Palo Alto, CA (US); **Shota Aoyagi**, San Francisco, CA (US); **Anthony Michael Ashcroft**, San Francisco, CA (US); **Marine C. Bataille**, San Francisco, CA (US); **Jeremy Bataillou**, San Francisco, CA (US); **Markus Diebel**, San Francisco, CA (US); **M. Evans Hankey**, San Francisco, CA (US); **Julian Hoenig**, San Francisco, CA (US); **Richard P. Howarth**, San Francisco, CA (US); **Jonathan P. Ive**, San Francisco, CA (US); **Julian Jaede**, San Francisco, CA (US); **Duncan Robert Kerr**, San Francisco, CA (US); **Peter Russell-Clarke**, San Francisco, CA (US); **Benjamin Andrew Shaffer**, San Jose, CA (US); **Mikael Silvanto**, San Francisco, CA (US); **Sung-Ho Tan**, San Francisco, CA (US); **Clement Tissandier**, San Francisco, CA (US); **Eugene Antony Whang**, San Francisco, CA (US); **Rico Zörkendörfer**, San Francisco, CA (US)

(56)

References Cited

U.S. PATENT DOCUMENTS

3,461,009 A	8/1969	Snyder et al.
D317,935 S	7/1991	Sawano
D364,191 S	11/1995	Allen
D409,175 S	5/1999	Renk
5,908,265 A	6/1999	Mostkoff et al.
D467,429 S	12/2002	Bone et al.
D516,079 S	2/2006	Solomon et al.
D525,980 S	8/2006	Wang et al.
D581,726 S	12/2008	Shamoon et al.
D592,211 S	5/2009	Ichise et al.
D604,300 S	11/2009	Andre et al.
D607,826 S	1/2010	Shaw et al.
D607,827 S	1/2010	Shaw et al.
D612,843 S	3/2010	Andre et al.
D616,886 S	6/2010	Andre et al.
D637,814 S	5/2011	Akana et al.
D639,296 S	6/2011	Tseng et al.
D640,695 S	6/2011	Andre et al.
D645,471 S	9/2011	Gardner et al.
D645,860 S	9/2011	Andre et al.
D653,665 S	2/2012	Maruyama et al.
8,124,216 B2	2/2012	Antonini et al.
D656,929 S	4/2012	Hsiung et al.
D658,186 S	4/2012	Akana et al.
D669,477 S	10/2012	Akana et al.
D671,114 S	11/2012	Akana et al.
D672,353 S	12/2012	Liu et al.
D672,360 S	12/2012	Lee et al.
D672,781 S	12/2012	Lu et al.
D674,800 S	1/2013	Kim et al.
D676,048 S	2/2013	McManigal et al.
D676,848 S	2/2013	Smith et al.
D677,668 S	3/2013	Phillips et al.
D678,260 S	3/2013	Bau et al.
D678,300 S	3/2013	Groene et al.
D679,279 S	4/2013	Yang et al.
D679,703 S	4/2013	Tanaka et al.
D682,832 S	5/2013	Smith et al.
D682,839 S	5/2013	Sampson et al.
D683,731 S	6/2013	Chiu et al.
D685,802 S	7/2013	Canizares et al.
D688,251 S	8/2013	Akana et al.
D689,059 S	9/2013	Tak et al.
D690,302 S	9/2013	Park et al.
D691,135 S	10/2013	Choi et al.
D691,151 S	10/2013	Hsu et al.

(73) Assignee: **Apple Inc.**, Cupertino, CA (US)

(**) Term: **15 Years**

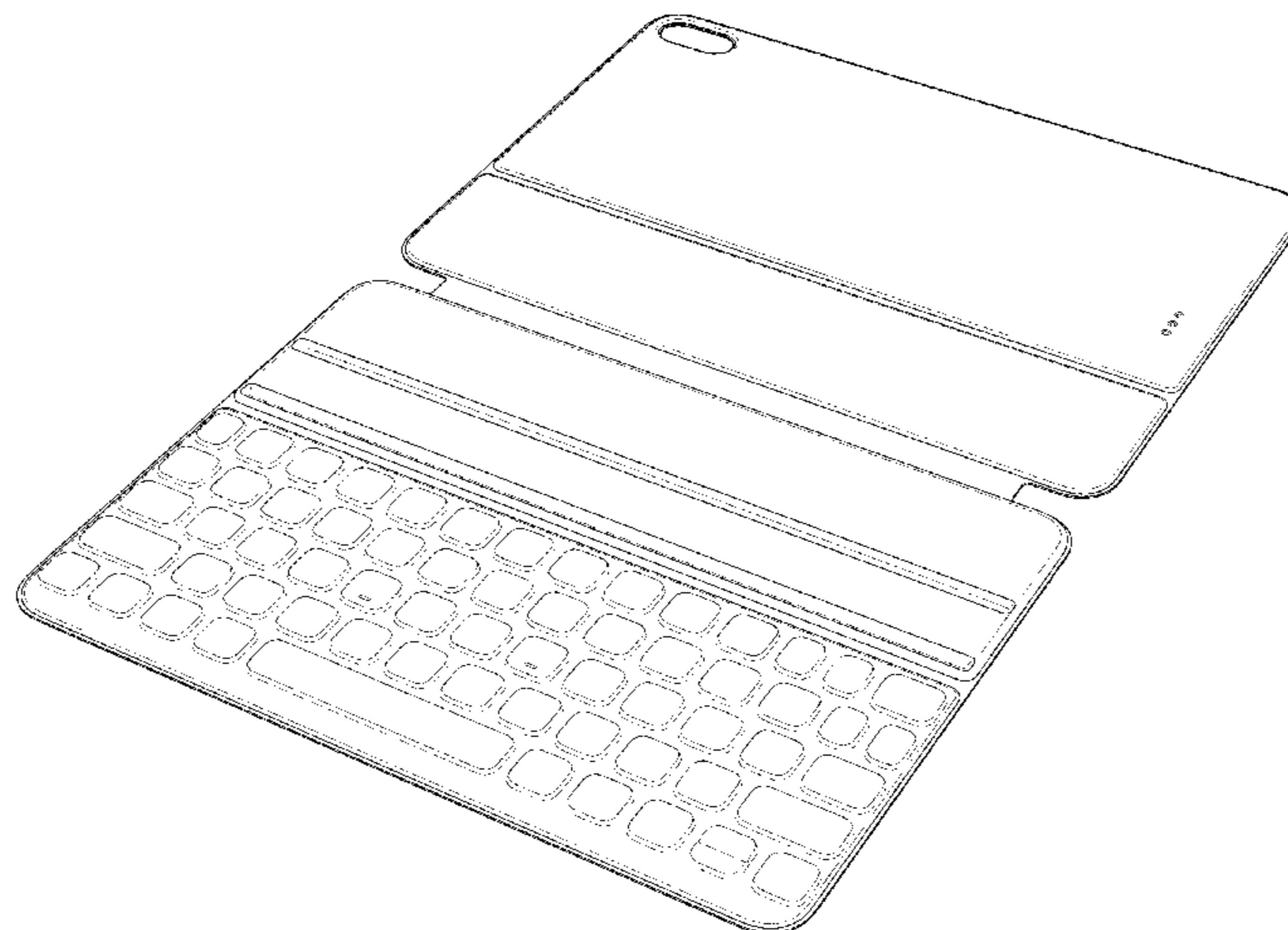
(21) Appl. No.: **29/656,624**

(22) Filed: **Jul. 13, 2018**

(51) **LOC (12) Cl.** **14-02**

(52) **U.S. Cl.**
USPC **D14/440**

(58) **Field of Classification Search**
USPC D14/440, 447, 250; 206/45.23, 320,
206/45.2; 361/679.55; 294/25; 224/218



US D883,986 S

D692,886 S	11/2013	Bates et al.		D805,080 S	12/2017	Lakraa et al.	
D692,902 S	11/2013	Groene et al.		D807,365 S	1/2018	Liu et al.	
D695,291 S	12/2013	Andre et al.		D807,889 S	1/2018	Kim et al.	
D695,464 S	12/2013	Hardy, III et al.		D808,394 S	1/2018	Lakraa et al.	
D695,743 S	12/2013	Akana et al.		D811,390 S *	2/2018	Kim	D14/345
D696,253 S	12/2013	Akana et al.		D820,838 S	6/2018	Akana et al.	
D696,254 S	12/2013	Groene et al.		D820,839 S	6/2018	Akana et al.	
D696,262 S	12/2013	Groene et al.		D820,840 S	6/2018	Akana et al.	
D696,667 S	12/2013	Helwig et al.		D837,792 S *	1/2019	Kim	D14/440
D701,205 S	3/2014	Akana et al.		D837,793 S *	1/2019	Ham	D14/440
D703,209 S	4/2014	Marcus et al.		D874,466 S *	2/2020	Lei	D14/440
D704,702 S	5/2014	Akana et al.		2007/0121311 A1	5/2007	Chou et al.	
D704,717 S	5/2014	Tanaka et al.		2008/0167095 A1 *	7/2008	Kim	H04M 1/0216 455/575.3
D705,227 S	5/2014	Groene et al.		2008/0266782 A1	10/2008	Zhang et al.	
D706,270 S	6/2014	Akana et al.		2009/0159763 A1 *	6/2009	Kim	F16M 13/00 248/174
D713,843 S	9/2014	Erdogan et al.		2009/0194209 A1 *	8/2009	De Filippis	A45C 11/00 150/107
D714,791 S	10/2014	Liu et al.		2009/0283393 A1	11/2009	Chen et al.	
D720,355 S	12/2014	Akana et al.		2011/0042195 A1	2/2011	Tsai et al.	
D720,747 S	1/2015	Kim et al.		2011/0227463 A1	9/2011	Hou et al.	
D720,748 S	1/2015	Groene et al.		2011/0290687 A1	12/2011	Han et al.	
D731,485 S	6/2015	Kim et al.		2012/0140396 A1	6/2012	Zeliff et al.	
D731,486 S	6/2015	Kim et al.		2012/0194448 A1	8/2012	Rothkopf et al.	
D734,333 S	7/2015	Lee et al.		2012/0211377 A1	8/2012	Sajid et al.	
D735,196 S	7/2015	Son et al.		2012/0261289 A1	10/2012	Wynner et al.	
D735,205 S	7/2015	Akana et al.		2012/0268891 A1 *	10/2012	Cencioni	G06F 1/1626 361/679.55
D735,212 S	7/2015	Son et al.		2012/0308981 A1 *	12/2012	Libin	G09B 3/00 434/362
D740,113 S	10/2015	Olenick et al.		2013/0020216 A1	1/2013	Chiou et al.	
D740,297 S	10/2015	Yoo et al.		2013/0088431 A1 *	4/2013	Ballagas	G06F 1/1626 345/168
D740,298 S	10/2015	Son et al.		2013/0214661 A1	8/2013	McBroom et al.	
D740,831 S	10/2015	Colby et al.		2013/0223005 A1 *	8/2013	Smith	G06F 1/1628 361/679.55
D742,740 S	11/2015	Kim et al.		2013/0233762 A1 *	9/2013	Balaji	B65D 25/00 206/736
D746,819 S	1/2016	Feiz et al.		2013/0241381 A1 *	9/2013	Hynecek	H05K 5/0217 312/240
D749,587 S	2/2016	Lee et al.		2013/0271373 A1 *	10/2013	Milhe	G06F 1/1671 345/168
D750,079 S	2/2016	Chen et al.		2014/0071654 A1 *	3/2014	Chien	H01H 13/704 362/23.03
D750,081 S	2/2016	Jeong et al.		2014/0158645 A1	6/2014	Thomas et al.	
D750,094 S	2/2016	Gengler et al.		2014/0186085 A1	7/2014	Zhang et al.	
D750,095 S	2/2016	Jeong et al.		2014/0246340 A1 *	9/2014	Jiang	A45C 11/00 206/45.23
D750,629 S	3/2016	Kim et al.		2015/0065208 A1 *	3/2015	Balaji	H04M 1/04 455/575.8
D751,553 S	3/2016	Kim et al.		2015/0151887 A1 *	6/2015	Huang	A45C 11/00 224/191
D751,567 S	3/2016	Seoc et al.		2015/0237979 A1 *	8/2015	Huang	A45C 11/00 206/45.25
D752,593 S *	3/2016	Diebel	G06F 1/1679 D14/440	2015/0263776 A1 *	9/2015	Shyu	A45C 13/002 455/575.8
D753,648 S	4/2016	Shyu et al.		2015/0266610 A1 *	9/2015	Melmon	B65D 5/5206 206/45.23
D754,652 S	4/2016	Roberts et al.		2015/0280768 A1 *	10/2015	Huang	H04B 1/3888 455/575.8
D754,659 S	4/2016	Kim et al.		2015/0296060 A1 *	10/2015	Gu	H04M 1/0235 455/575.4
D757,023 S	5/2016	Bowers et al.		2016/0018854 A1	1/2016	Yu et al.	
D758,377 S	6/2016	Warren et al.		2016/0119011 A1	4/2016	Thompson et al.	
D761,267 S	7/2016	Chen et al.					
9,419,669 B2	8/2016	Smith et al.					
D765,630 S	9/2016	Harata et al.					
D770,457 S	11/2016	Massucco et al.					
D772,880 S	11/2016	Corcoran et al.					
D772,885 S	11/2016	Akana et al.					
D772,886 S	11/2016	Akana et al.					
D773,474 S	12/2016	Akana et al.					
D775,133 S	12/2016	Akana et al.					
D776,116 S	1/2017	Akana et al.					
9,545,139 B2	1/2017	Kim et al.					
D779,485 S	2/2017	Akana et al.					
D779,489 S	2/2017	Akana et al.					
D779,490 S	2/2017	Akana et al.					
D780,758 S	3/2017	Bailey et al.					
D784,348 S	4/2017	Zhang et al.					
D786,249 S	5/2017	Feiz et al.					
D788,784 S	6/2017	Akana et al.					
D789,934 S	6/2017	Akana et al.					
D789,942 S	6/2017	Bailey et al.					
D791,780 S	7/2017	Bailey et al.					
D792,393 S	7/2017	Akana et al.					
D792,884 S	7/2017	Nyholm et al.					
9,729,685 B2	8/2017	Ive et al.					
9,735,824 B2	8/2017	Ko et al.					
D797,111 S	9/2017	Sauvage et al.					
9,769,293 B2	9/2017	Gu et al.					
D799,485 S	10/2017	Kim et al.					
D799,496 S	10/2017	Bailey et al.					
D801,343 S	10/2017	Akana et al.					
9,778,705 B2	10/2017	Esmacili et al.					
D801,973 S	11/2017	Feng et al.					

FOREIGN PATENT DOCUMENTS

JP	D1475195 S	7/2013
JP	D1517990 S	2/2015
JP	D1537210 S	11/2015
JP	D1547736 S	4/2016
KR	300779797	1/2015

TW D169480 S 8/2015
TW D185980 S 10/2017

OTHER PUBLICATIONS

Belkin International, Inc., “Belkin Expands Keyboard Lineup to New Apple iPad Mini,” dated Nov. 14, 2012.

Wayback Machine Internet Archive, Tangram Design Lab Inc., “Smart Top: iPad and Wireless Keyboard at a Time”, [retrieved on Oct. 13, 2012] Retrieved from the Internet: (URL: <https://web.archive.org/web/20121013124127/http://tangramdesignlab.com/smarttop/en/>), accessed Nov. 9, 2016.

* cited by examiner

Primary Examiner — Cynthia R Underwood
(74) *Attorney, Agent, or Firm* — Sterne, Kessler,
Goldstein & Fox P.L.L.C.

(57) **CLAIM**

The ornamental design for a cover, as shown and described.

DESCRIPTION

FIG. 1 is a bottom front perspective view of a cover showing the claimed design;

FIG. 2 is a front view thereof;

FIG. 3 is a rear view thereof;

FIG. 4 is a left side view thereof;

FIG. 5 is a right side view thereof;

FIG. 6 is a top view thereof;

FIG. 7 is a bottom view thereof;

FIG. 8 is a side view of the cover in an environment in which it may be used;

FIG. 9 is another side view of the cover in an environment in which it may be used;

FIG. 10 is another side view of the cover in an environment in which it may be used;

FIG. 11 is a bottom front perspective view of another embodiment of a cover showing the claimed design.

FIG. 12 is a front view thereof;

FIG. 13 is a rear view thereof;

FIG. 14 is a left side view thereof;

FIG. 15 is a right side view thereof;

FIG. 16 is a top view thereof;

FIG. 17 is a bottom view thereof;

FIG. 18 is a side view of the cover in an environment in which it may be used;

FIG. 19 is another side view of the cover in an environment in which it may be used; and,

FIG. 20 is another side view of the cover in an environment in which it may be used.

The broken lines in the figures show environment that forms no part of the claimed design.

1 Claim, 12 Drawing Sheets

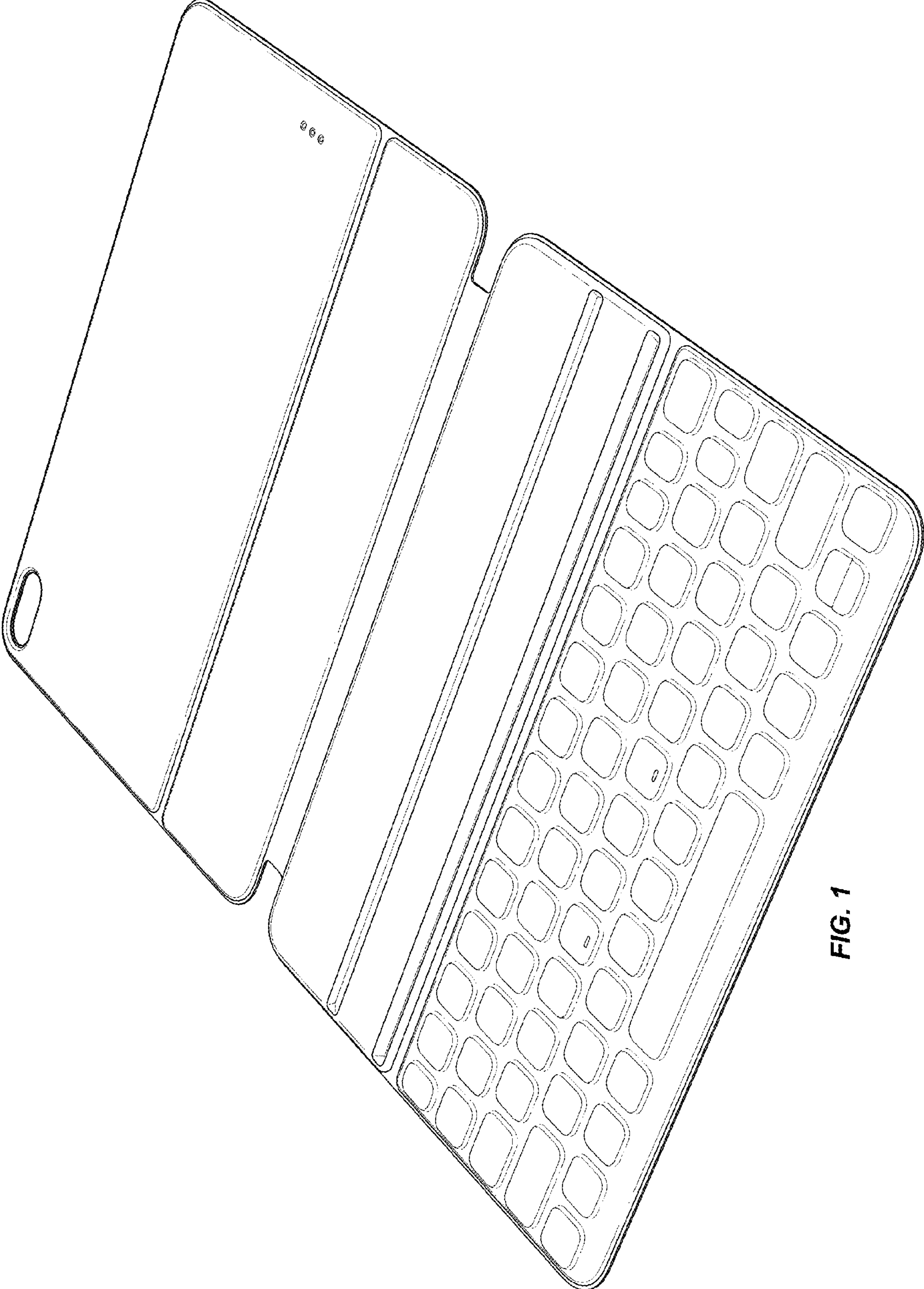


FIG. 1

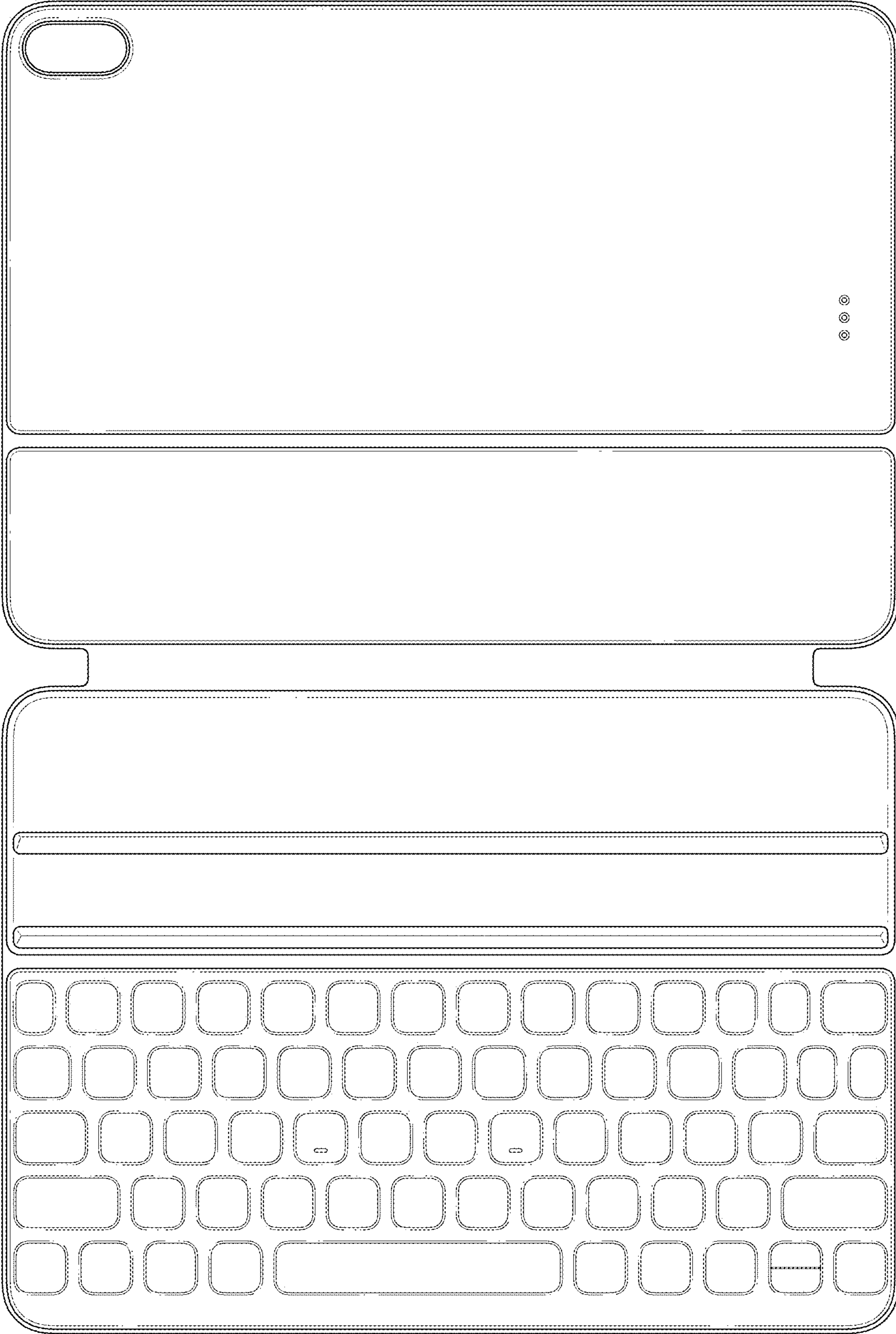


FIG. 2

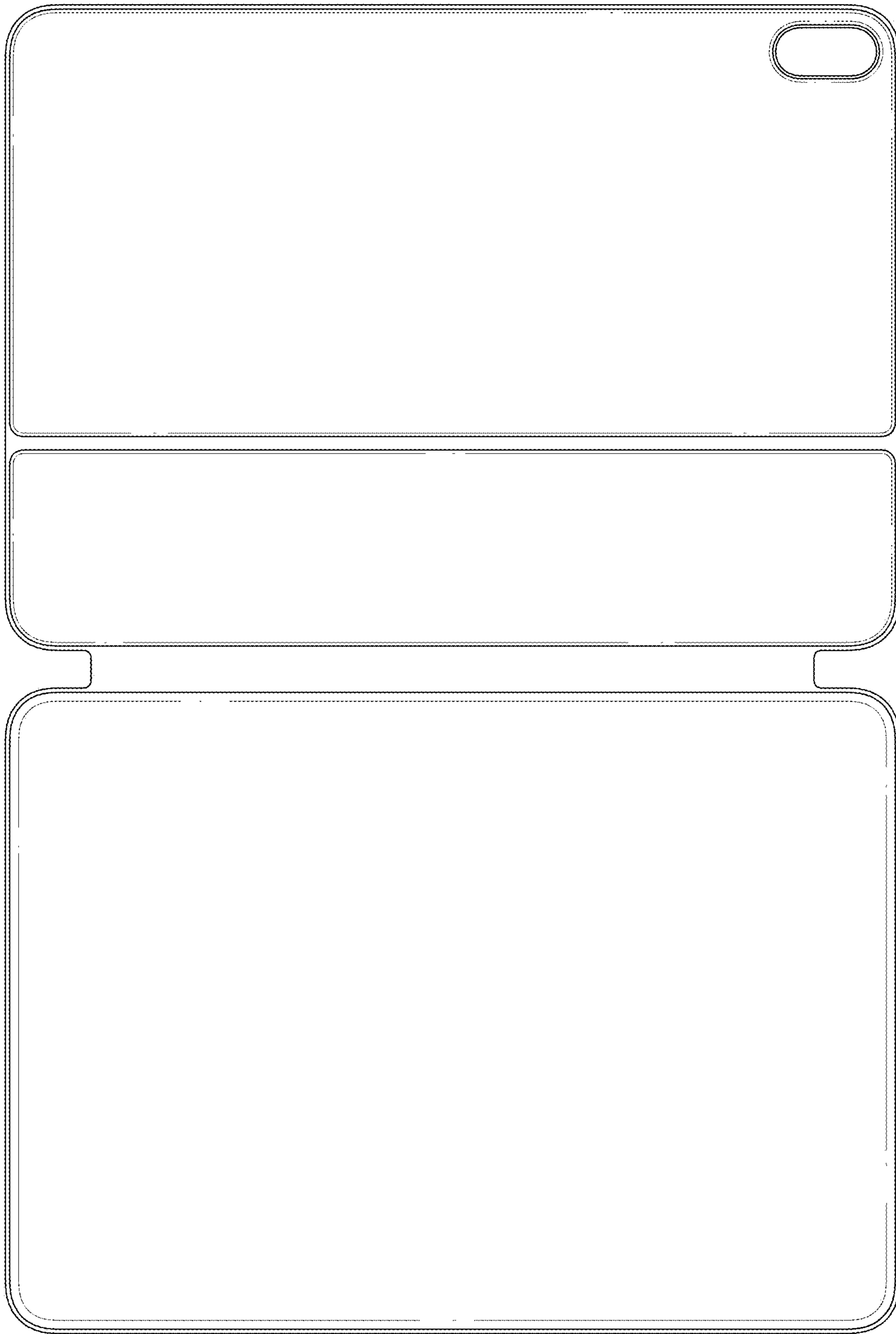


FIG. 3



FIG. 4

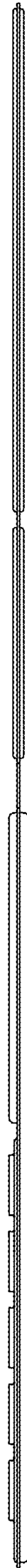


FIG. 5

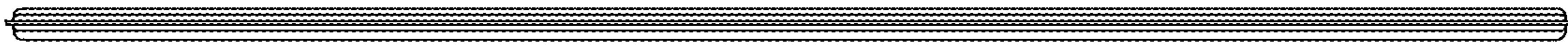


FIG. 6

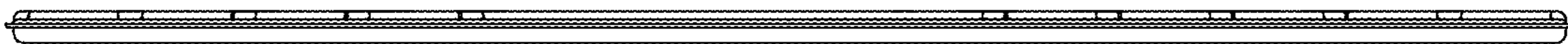


FIG. 7

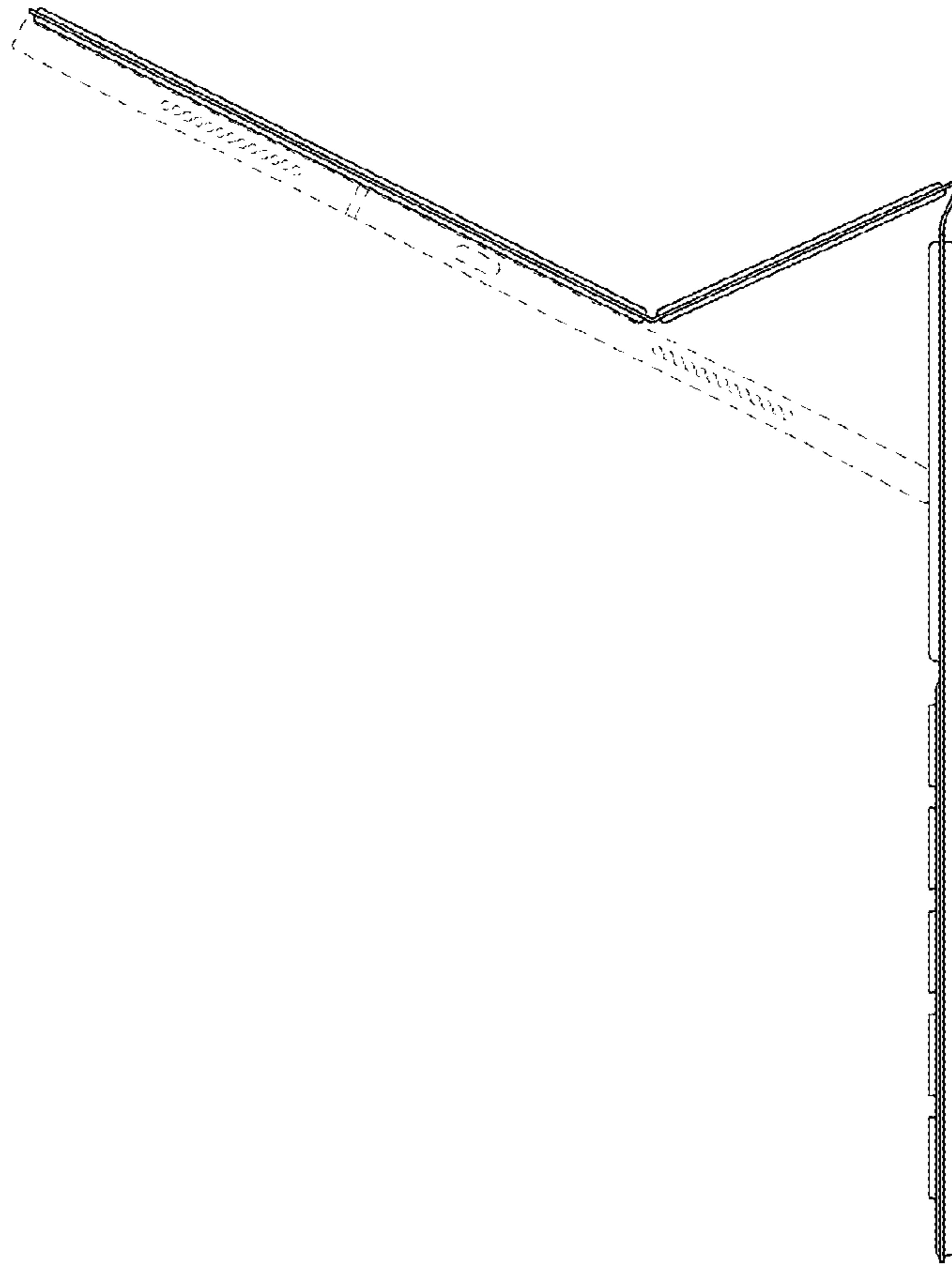


FIG. 9

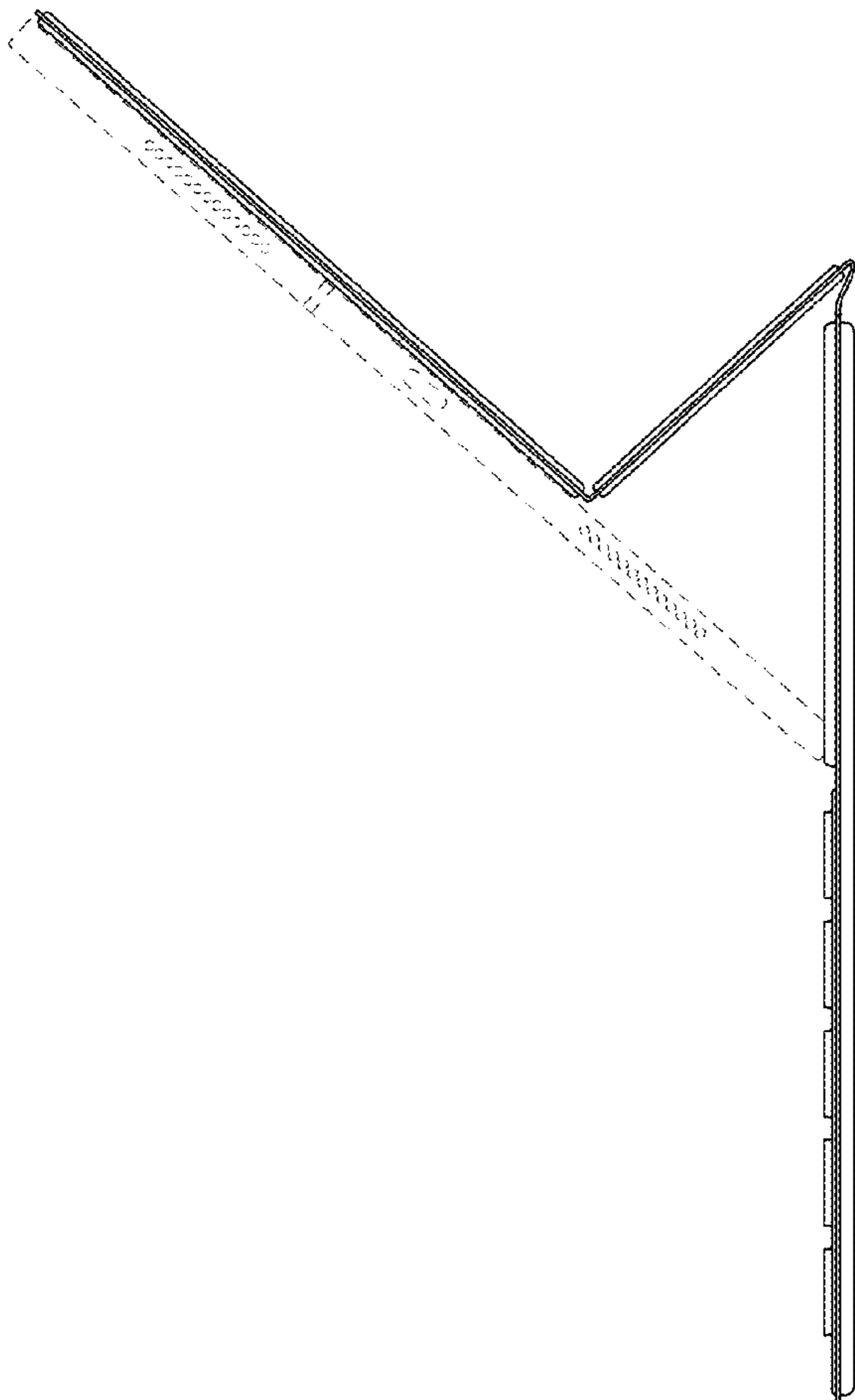


FIG. 8



FIG. 10

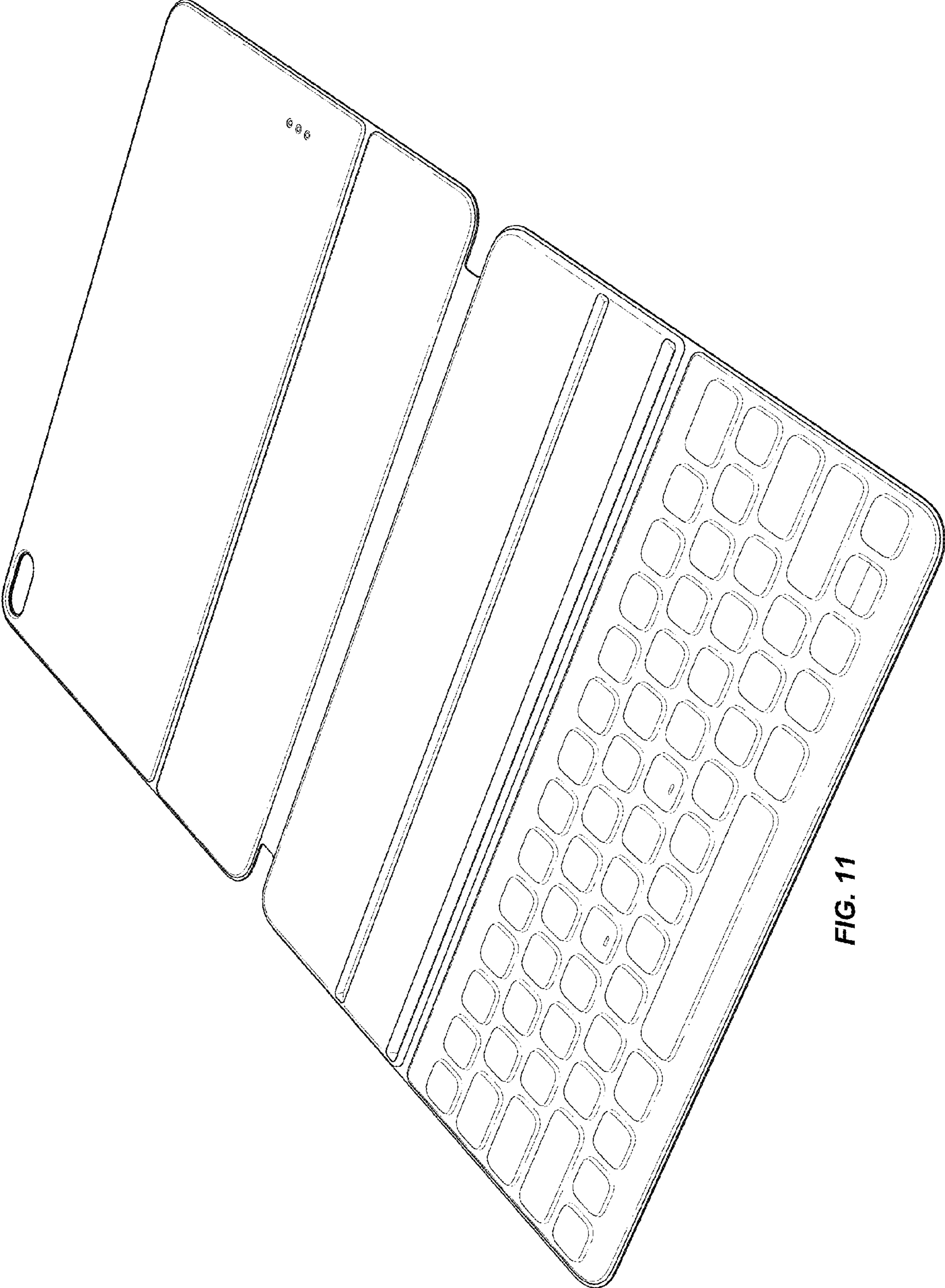


FIG. 11

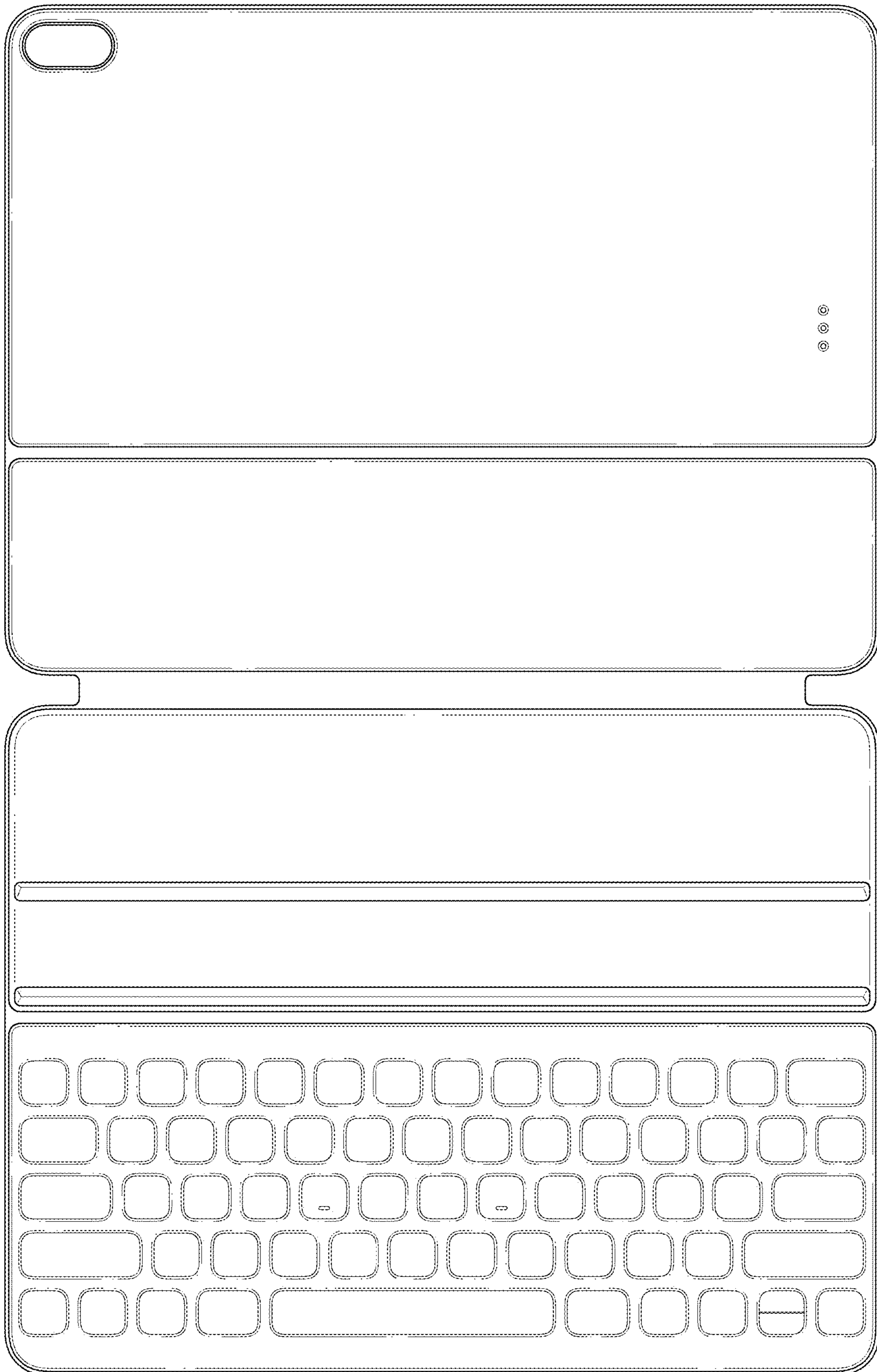


FIG. 12

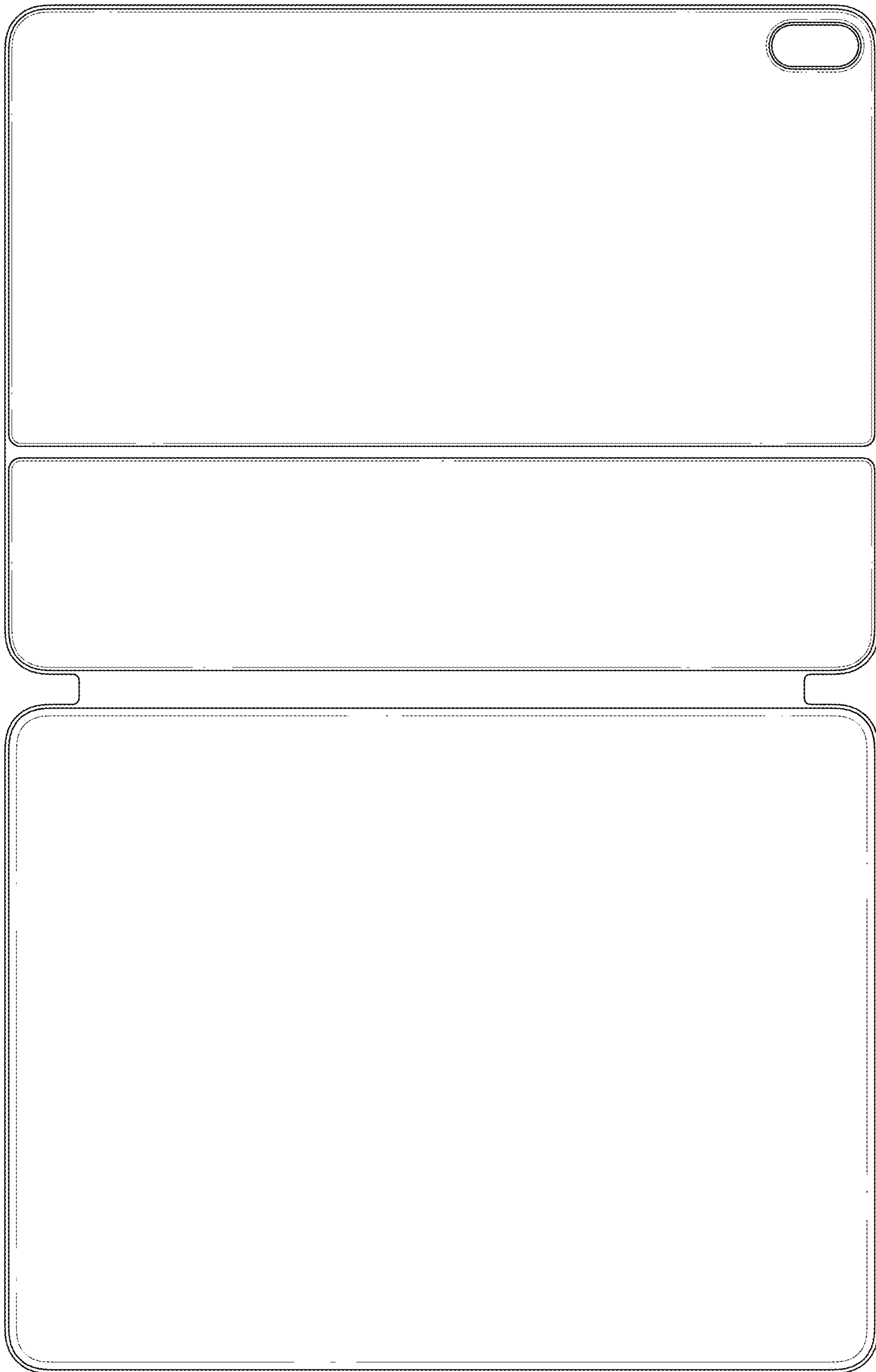


FIG. 13



FIG. 14



FIG. 15



FIG. 16

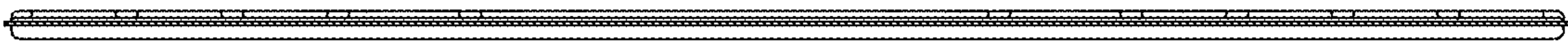


FIG. 17

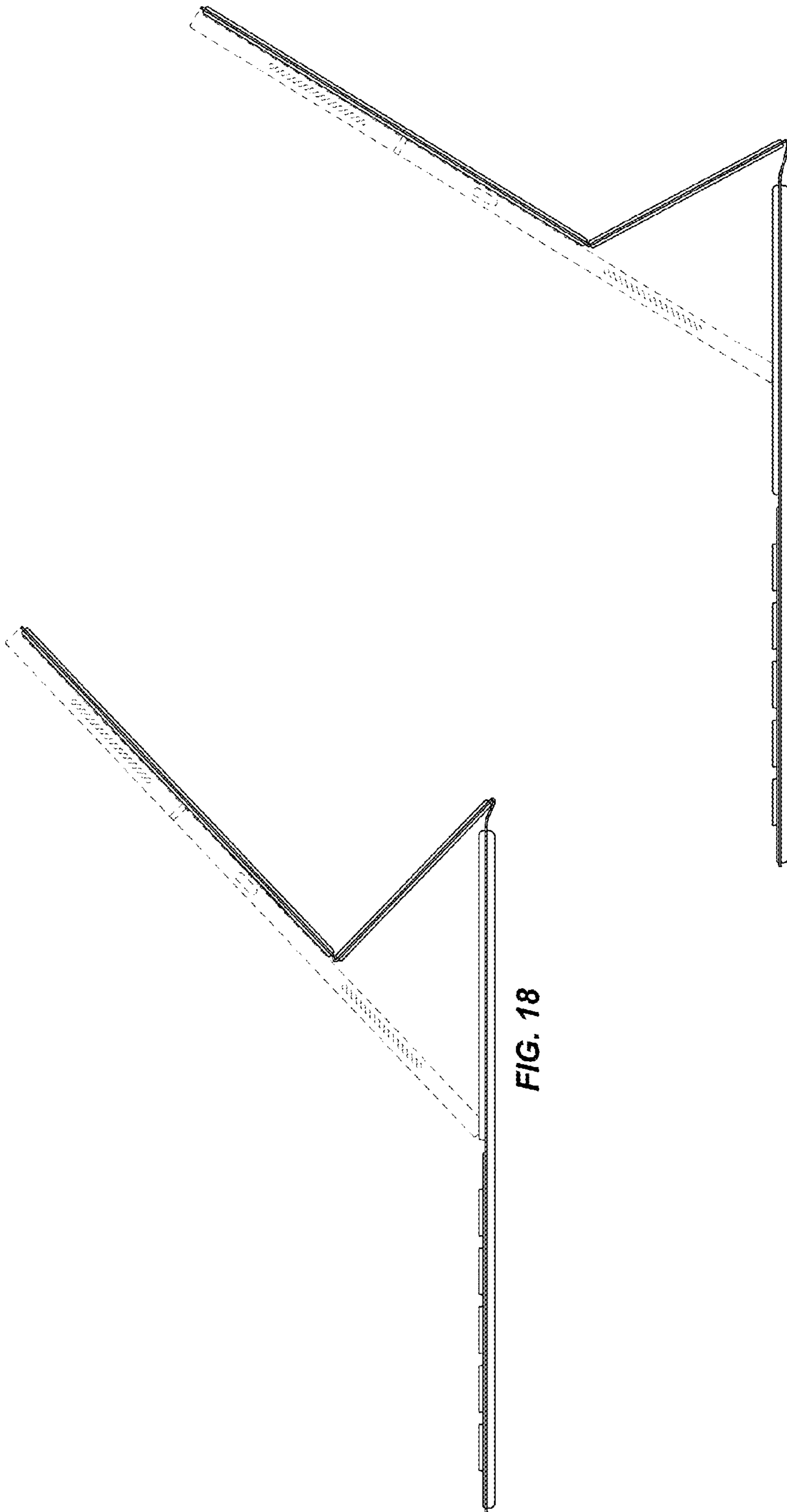


FIG. 18

FIG. 19

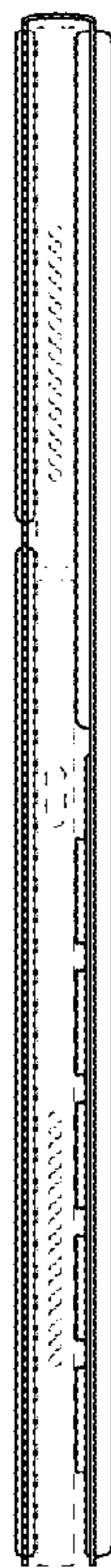


FIG. 20