



US00D883985S

(12) **United States Design Patent**  
**Zhang et al.**

(10) **Patent No.:** **US D883,985 S**

(45) **Date of Patent:** **\*\* May 12, 2020**

(54) **MULTI-PORT HUB**

(71) Applicants: **Qingsen Zhang**, Shenzhen (CN);  
**Junling Chen**, Shenzhen (CN);  
**Zhuohao Liang**, Zhongshan (CN)

(72) Inventors: **Qingsen Zhang**, Shenzhen (CN);  
**Junling Chen**, Shenzhen (CN);  
**Zhuohao Liang**, Zhongshan (CN)

(73) Assignee: **UGREEN GROUP LIMITED**,  
Shenzhen (CN)

(\*\*) Term: **15 Years**

(21) Appl. No.: **29/667,378**

(22) Filed: **Oct. 20, 2018**

(51) **LOC (12) Cl.** ..... **14-99**

(52) **U.S. Cl.**  
USPC ..... **D14/433**

(58) **Field of Classification Search**  
USPC ..... D14/240, 242, 356, 357, 358, 378, 383,  
D14/384, 385, 386, 433, 434, 435.1,  
D14/480.1, 480.4, 480.5, 204, 207-216;  
D13/103, 107, 108, 110, 146; D18/12,  
D18/12.1, 12.3; D16/203  
CPC .... H01R 25/003; H01R 25/006; H01R 27/02;  
H01R 31/005; H01R 13/60; H01R  
13/6658; H01R 13/72; G06F 1/1607;  
G06F 1/1632; G06F 1/1684; G06F  
13/382; G06F 13/4022  
See application file for complete search history.

(56) **References Cited**

**U.S. PATENT DOCUMENTS**

D512,989 S \* 12/2005 Brimhall ..... D14/215  
D540,779 S \* 4/2007 Joseph ..... D14/211  
D540,780 S \* 4/2007 Kim ..... D14/211

D547,747 S \* 7/2007 Allen ..... D14/211  
D551,655 S \* 9/2007 Kim ..... D14/214  
D570,333 S \* 6/2008 Cho ..... D14/215  
D583,801 S \* 12/2008 Son ..... D14/211  
D598,020 S \* 8/2009 Lu ..... D14/358  
D767,568 S \* 9/2016 McWilliam ..... D14/358  
D801,307 S \* 10/2017 Kim ..... D14/216  
D808,454 S \* 1/2018 Seflic ..... D16/200  
D825,530 S \* 8/2018 Chyzhov ..... D14/216  
D836,147 S \* 12/2018 Rao ..... D16/203

**OTHER PUBLICATIONS**

Table Top Power & Data Hub, online, no post date, URL: <https://www.cabletiesandmore.com/table-top-power-ethernet-hub>, retrieved Dec. 5, 2019.\*

\* cited by examiner

*Primary Examiner* — Jeffrey D Asch  
*Assistant Examiner* — Rebekah A Caruso

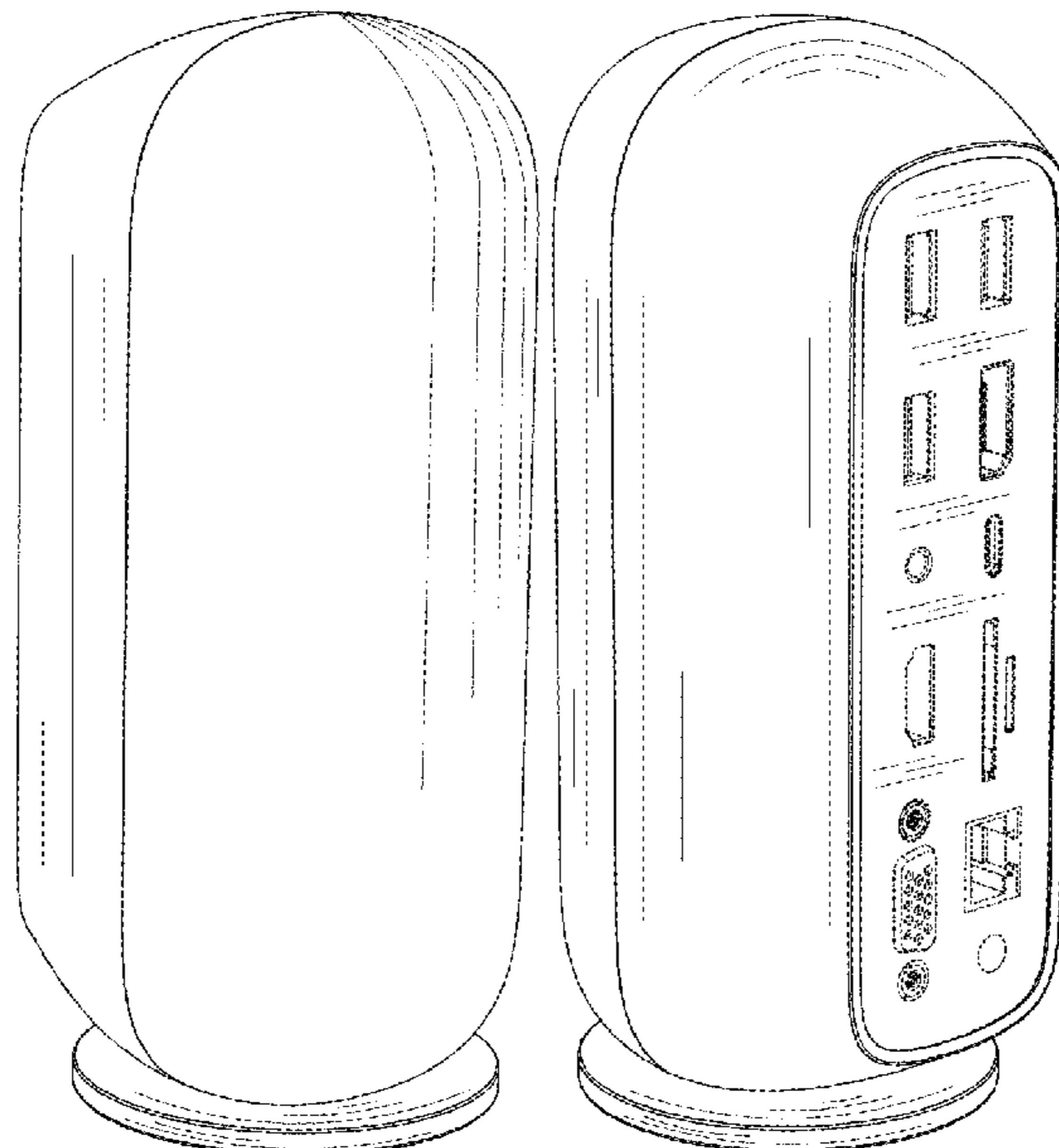
(57) **CLAIM**

The ornamental design for a multi-port hub, as shown and described.

**DESCRIPTION**

FIG. 1 is a front perspective view of a multi-port hub showing our new design;  
FIG. 2 is rear perspective view thereof;  
FIG. 3 is a top plan view thereof;  
FIG. 4 is a bottom plan view thereof;  
FIG. 5 is a left side elevational view thereof;  
FIG. 6 is a right side elevational view thereof;  
FIG. 7 is a front elevational view thereof; and,  
FIG. 8 is a rear elevational view thereof.  
The broken lines, showing all of the port and connector openings located on the rear of the article, depict environment that forms no part of the claimed design.

**1 Claim, 8 Drawing Sheets**



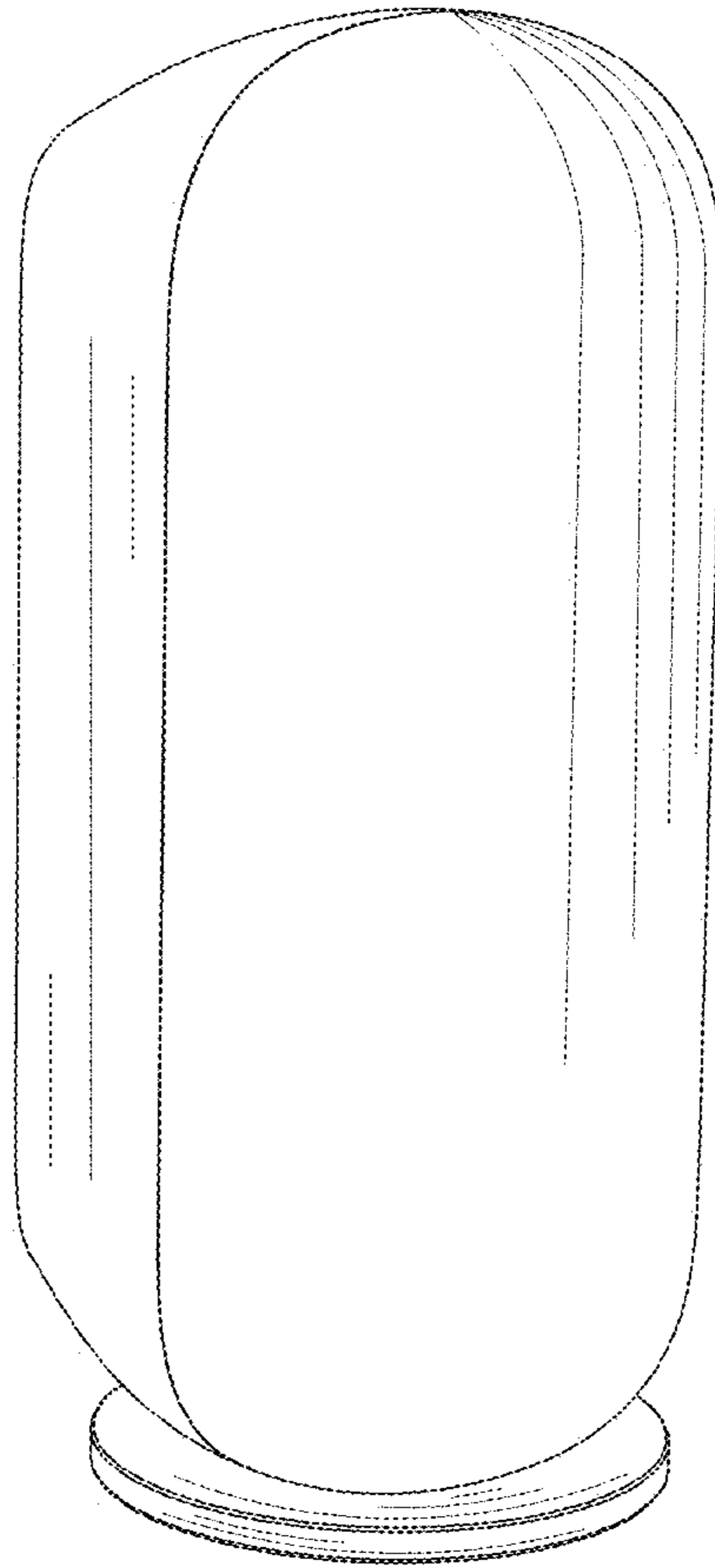


FIG. 1

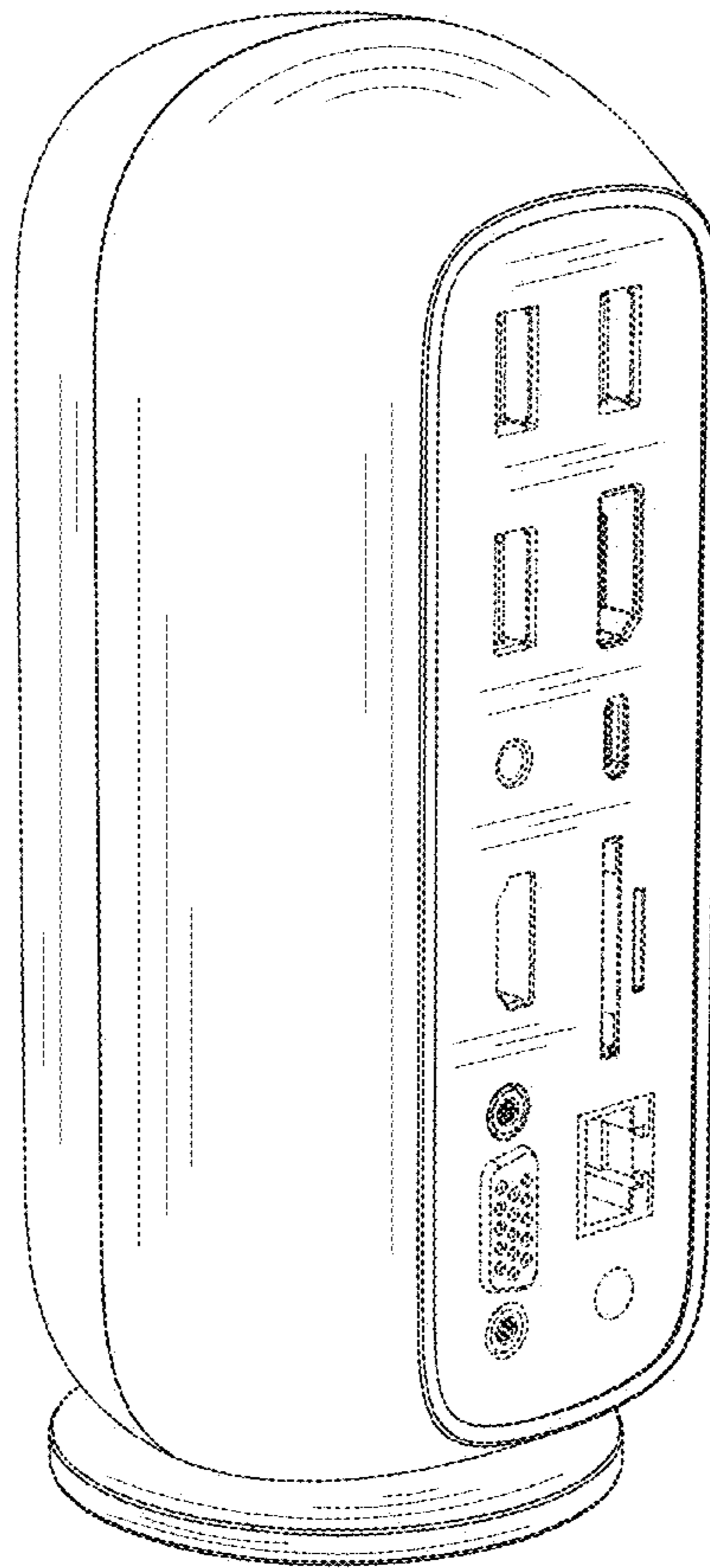


FIG. 2

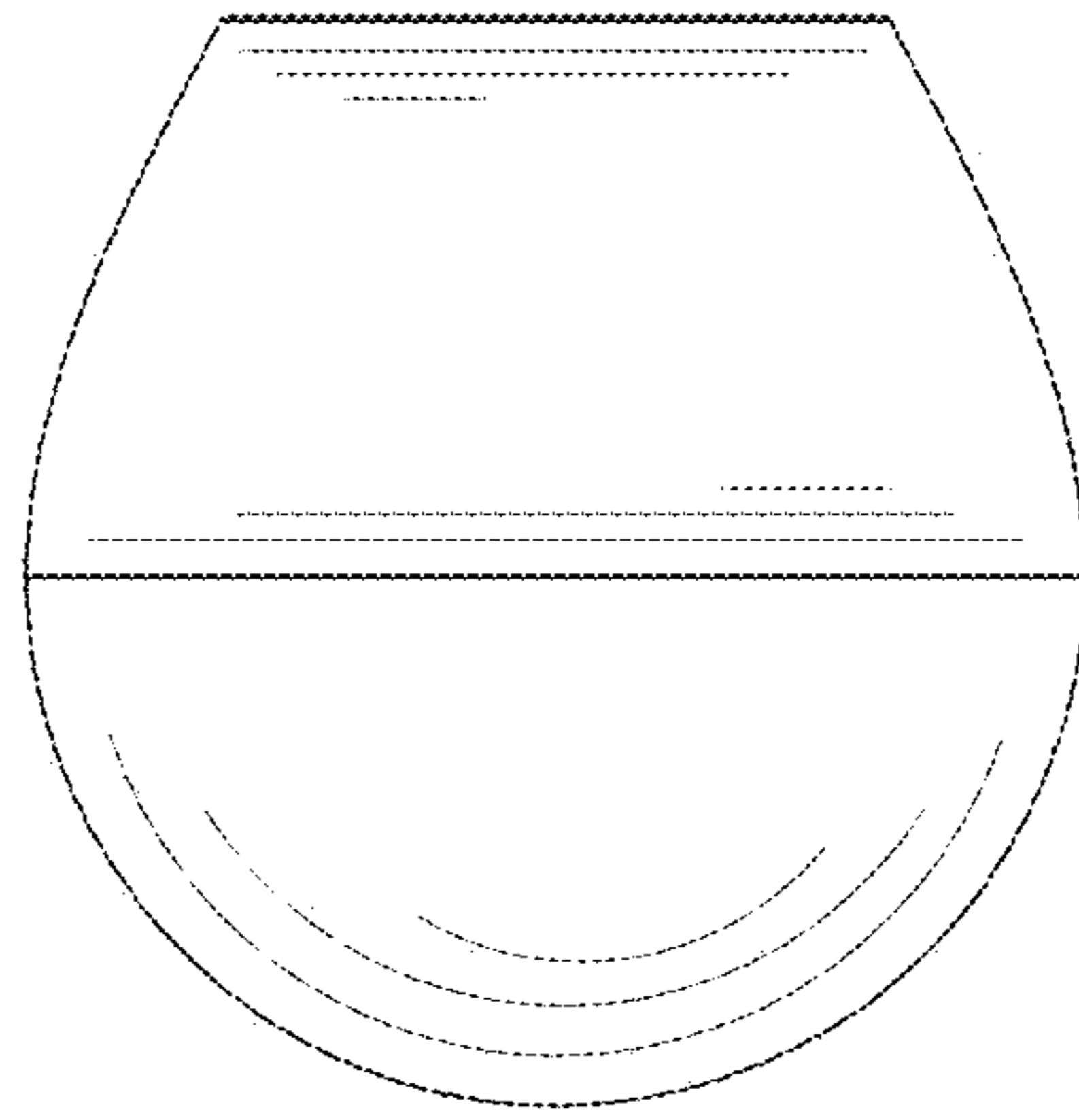


FIG. 3

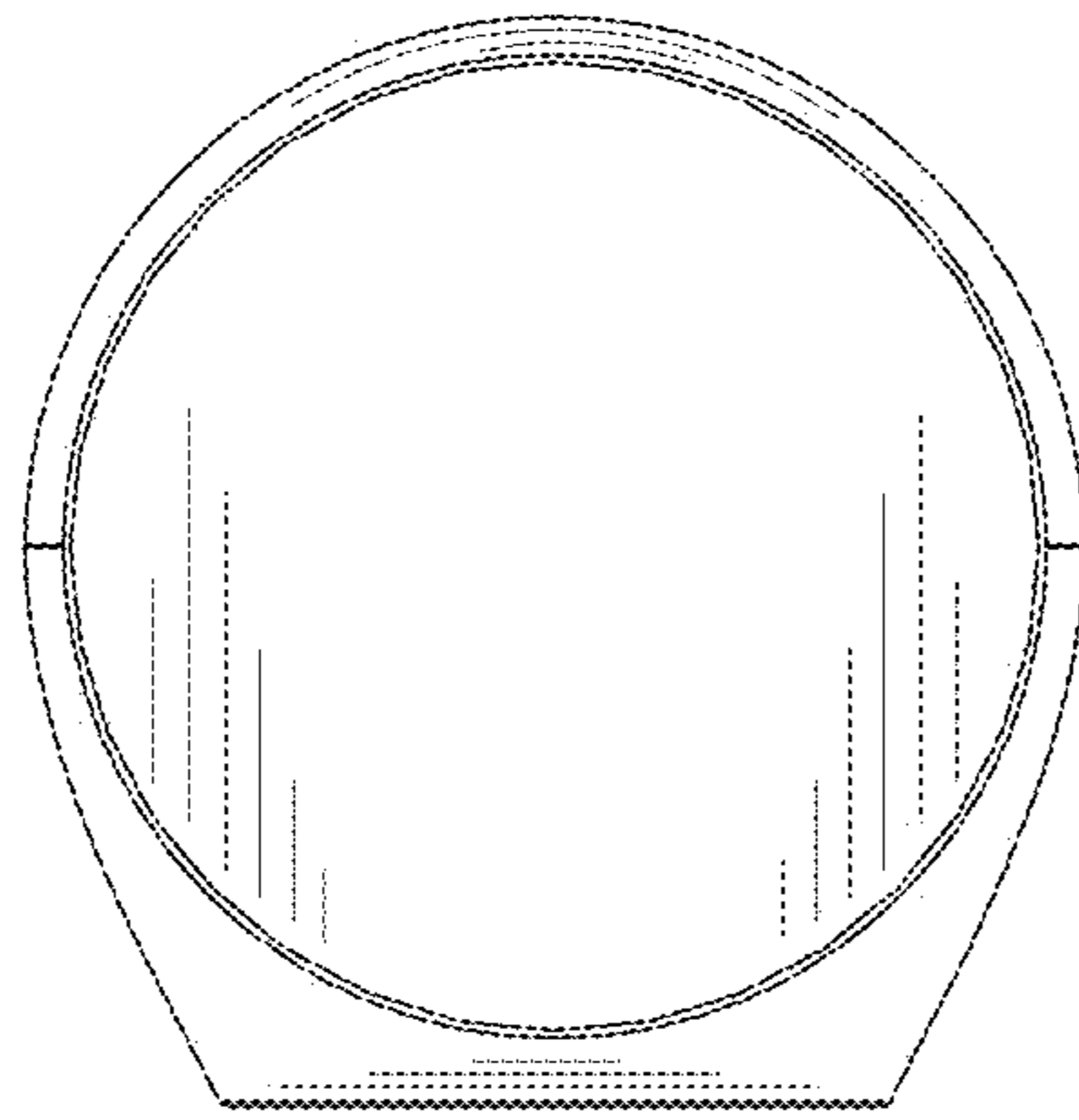


FIG. 4

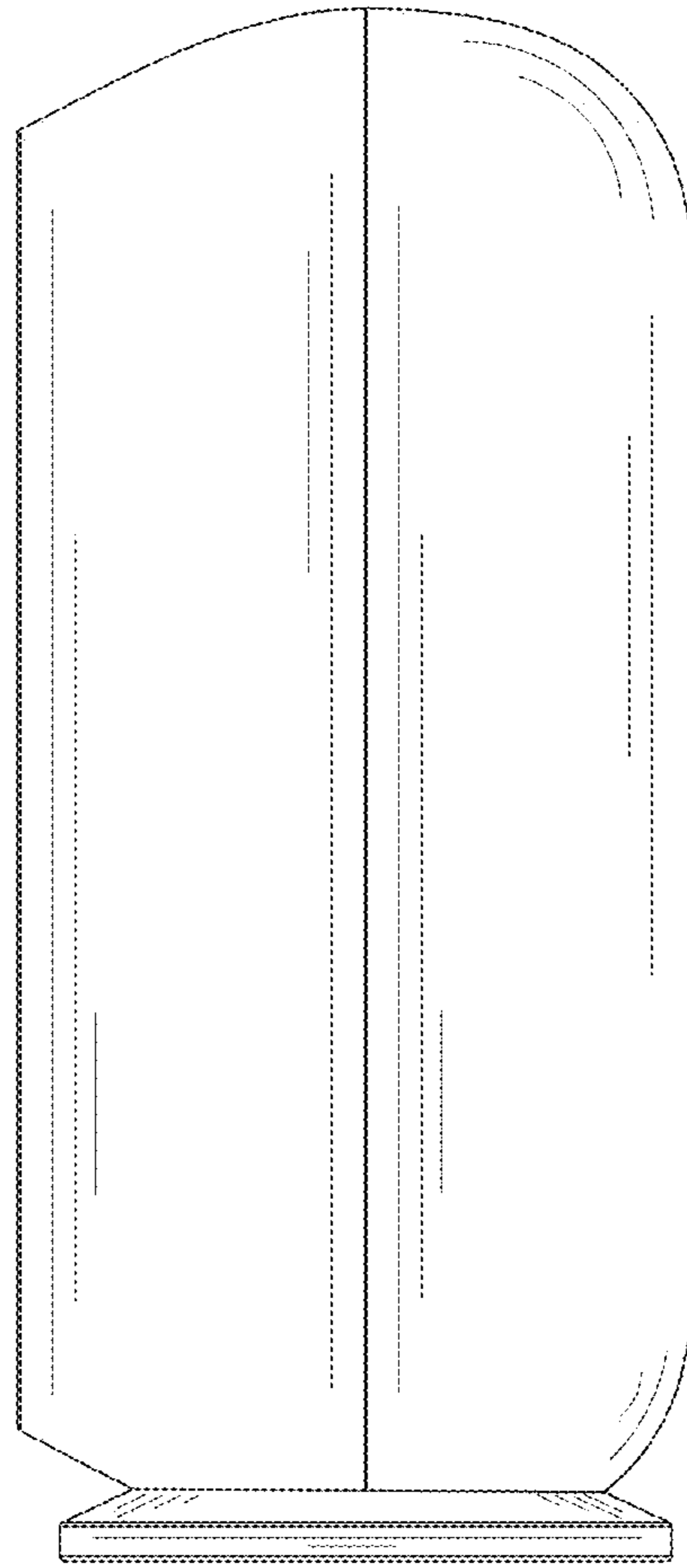


FIG. 5

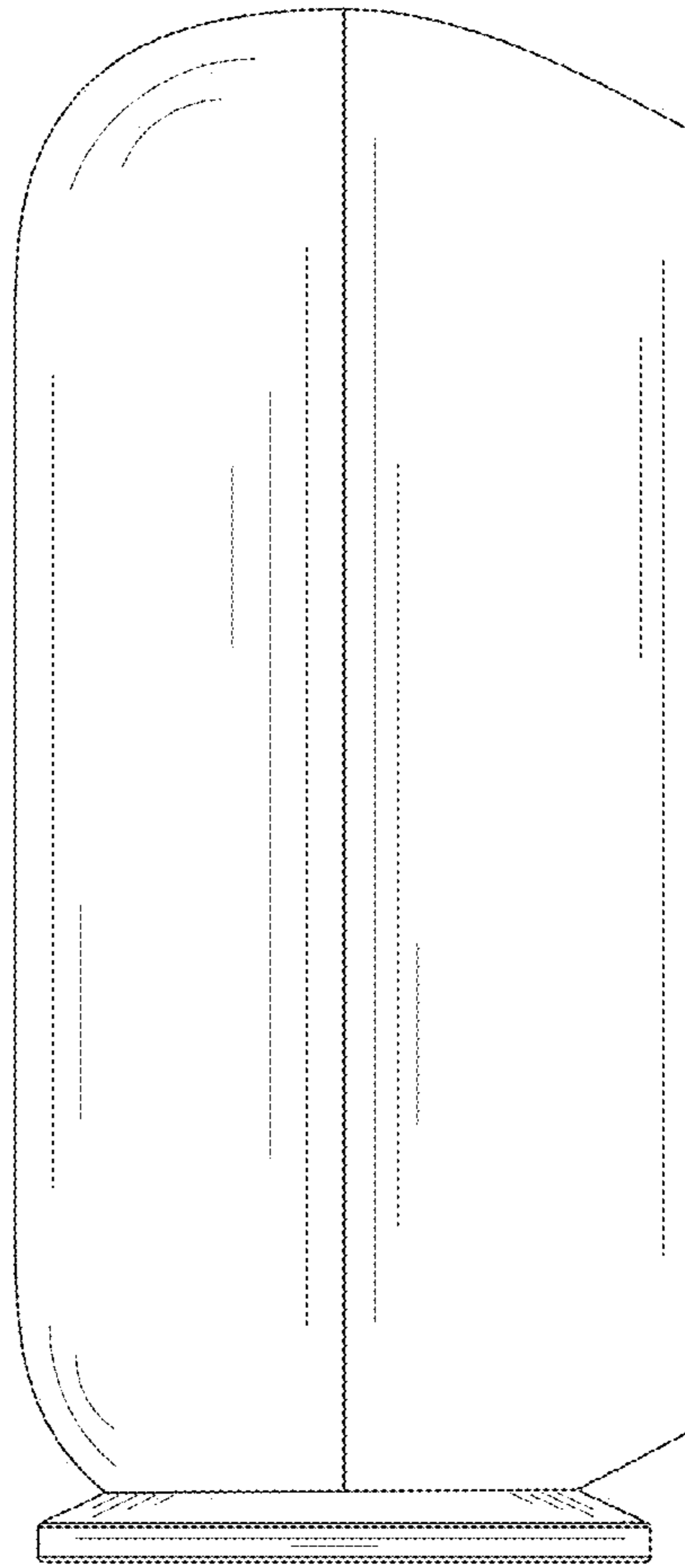


FIG. 6

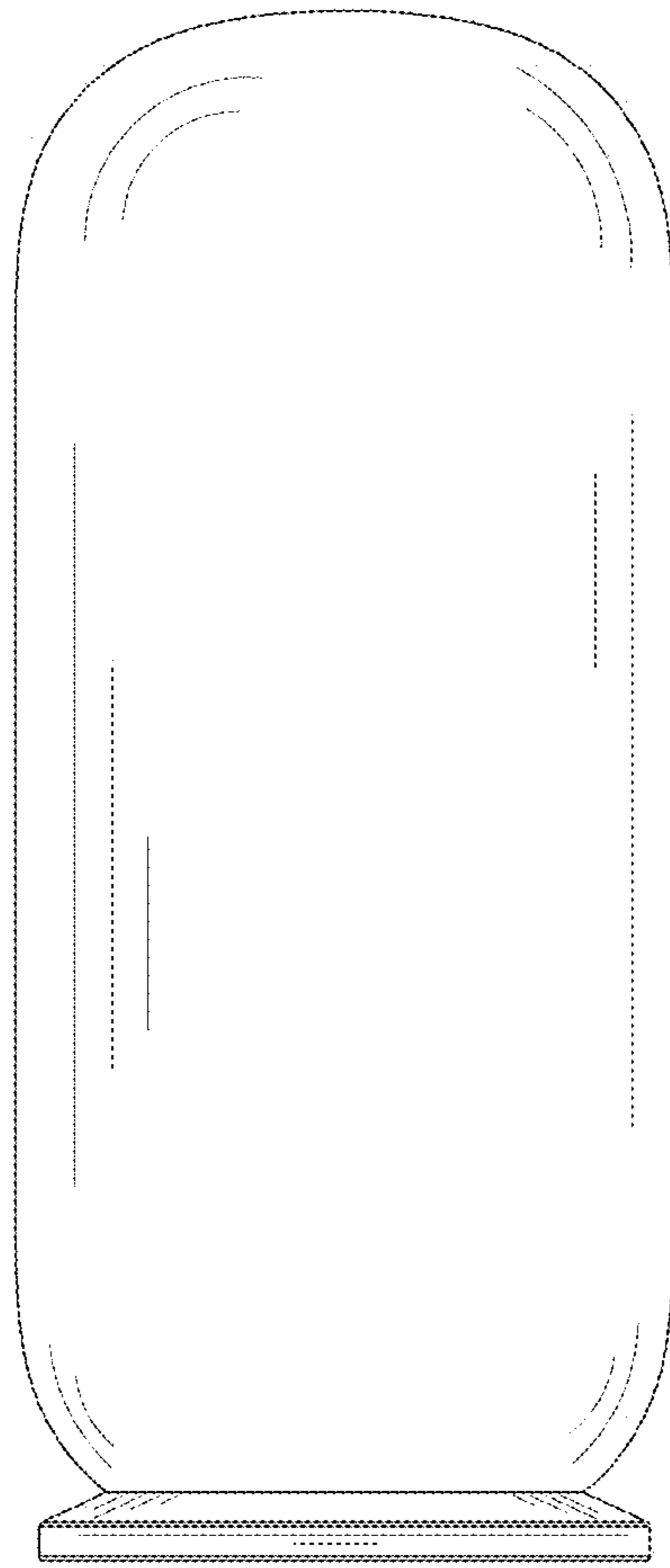


FIG. 7



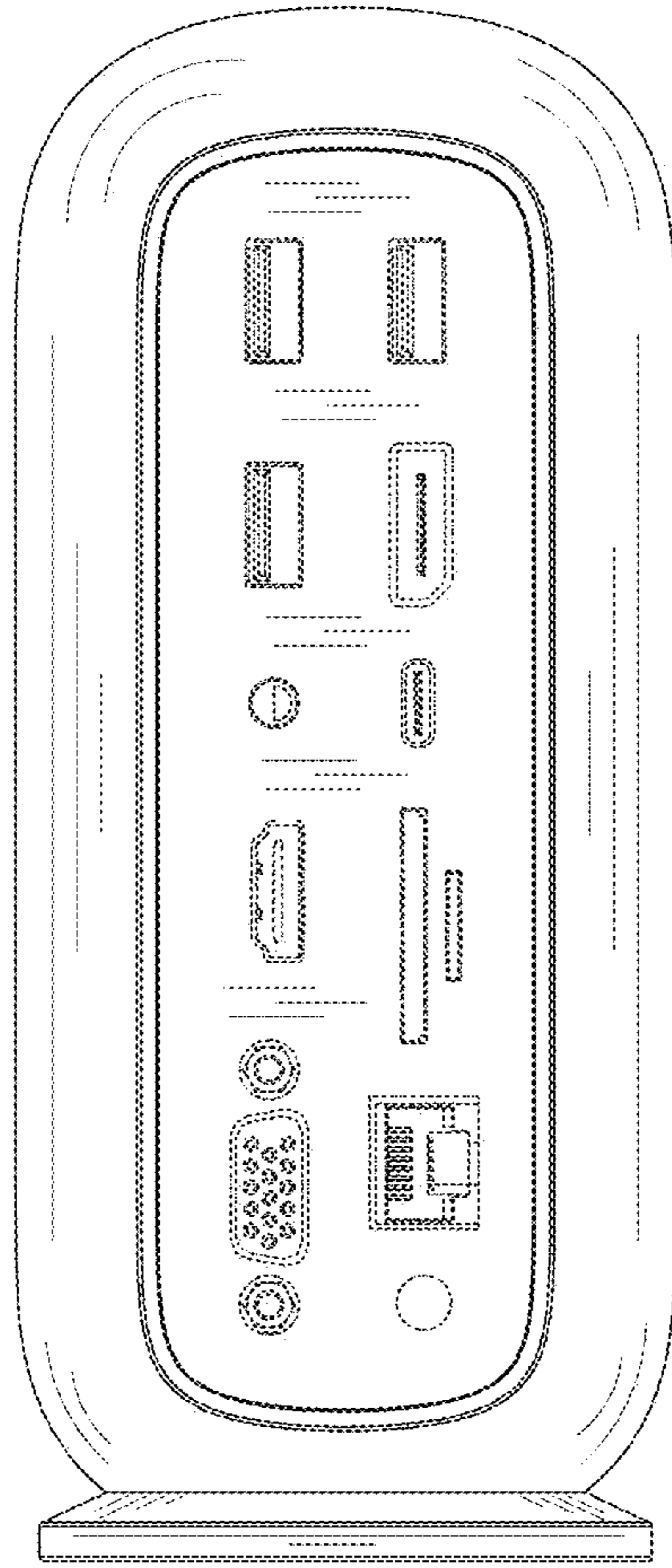


FIG. 8