



US00D883983S

(12) **United States Design Patent** (10) **Patent No.:** **US D883,983 S**  
**Zhang et al.** (45) **Date of Patent:** **\*\* May 12, 2020**

(54) **USB ADAPTER**

(71) Applicant: **Ugreen Group Limited**, Shenzhen (CN)

(72) Inventors: **Qingsen Zhang**, Shenzhen (CN); **Junling Chen**, Shenzhen (CN); **Long Luo**, Shenzhen (CN)

(\*\*) Term: **15 Years**

(21) Appl. No.: **29/666,644**

(22) Filed: **Oct. 15, 2018**

(51) **LOC (12) Cl.** ..... **14-99**

(52) **U.S. Cl.**  
USPC ..... **D14/433**

(58) **Field of Classification Search**  
USPC ..... D14/240, 242, 356, 357, 358, 378, 383, D14/384, 385, 386, 433, 434, 435.1, D14/480.1, 480.4, 480.5; D13/103, 107, D13/108, 110, 146; D18/12, 12.1, 12.3  
CPC .... H01R 25/003; H01R 25/006; H01R 27/02; H01R 31/005; H01R 13/60; H01R 13/6658; H01R 13/72; G06F 1/1607; G06F 1/1632; G06F 1/1684; G06F 13/382; G06F 13/4022  
See application file for complete search history.

(56) **References Cited**

**U.S. PATENT DOCUMENTS**

D631,838 S *	2/2011	Cheng	.....	D13/108
D692,024 S *	10/2013	Seong	.....	D14/496
D709,892 S *	7/2014	Lui	.....	D14/433
D807,290 S *	1/2018	Liao	.....	D13/110
D813,875 S *	3/2018	Liao	.....	D14/434
D828,839 S *	9/2018	Zhang	.....	D14/433
D828,841 S *	9/2018	Zhang	.....	D14/433
D830,366 S *	10/2018	Turksu	.....	D14/433
D853,396 S *	7/2019	Kong	.....	D14/434
D854,544 S *	7/2019	Liao	.....	D14/434
D855,054 S *	7/2019	Turksu	.....	D14/433

D855,616 S *	8/2019	Chin	.....	D14/433
D862,385 S *	10/2019	Turksu	.....	D13/108
D862,473 S *	10/2019	Liu	.....	D14/433
D864,205 S *	10/2019	Wang	.....	D14/433
D864,208 S *	10/2019	Duan	.....	D14/433
D864,209 S *	10/2019	Wang	.....	D14/434
D864,964 S *	10/2019	Lyu	.....	D14/433
D864,966 S *	10/2019	Sang	.....	D14/434

(Continued)

**OTHER PUBLICATIONS**

Ugreen USB Type-C Hub—Dual USB 3.0 ports / 4K HDMI interface / SD card reader, YouTube online, post date Aug. 3, 2017, URL: <https://www.youtube.com/watch?v=aJGyymRQd8c>, retrieved Dec. 4, 2019.\*

*Primary Examiner* — Jeffrey D Asch

*Assistant Examiner* — Rebekah A Caruso

(74) *Attorney, Agent, or Firm* — Jie Yang; ZANIP

(57) **CLAIM**

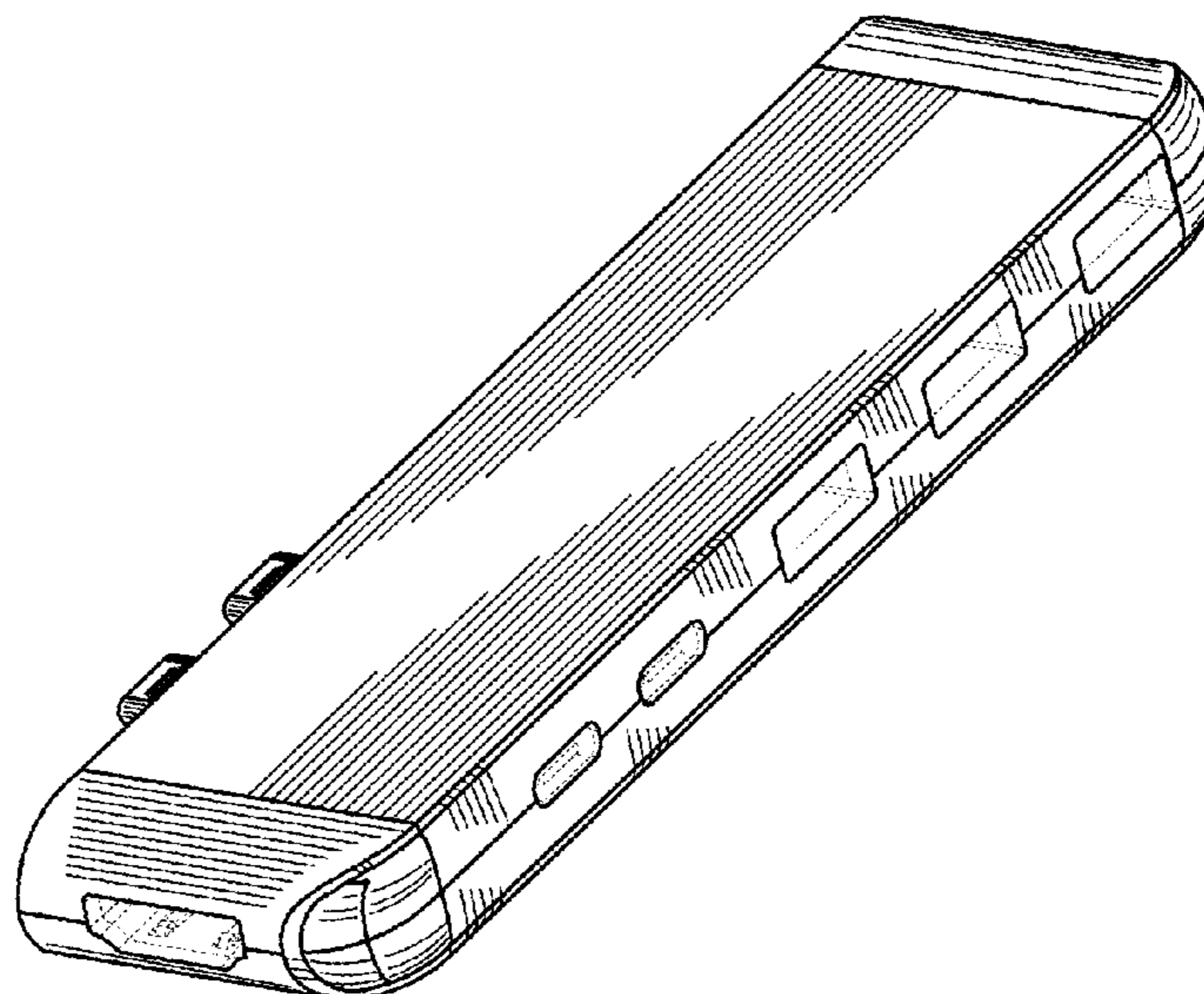
The ornamental design for a USB adapter, as shown and described.

**DESCRIPTION**

FIG. 1 is a Perspective view of a USB adapter showing our new design;  
FIG. 2 is a Front elevational view thereof;  
FIG. 3 is a Rear elevational view thereof;  
FIG. 4 is a Right side view thereof;  
FIG. 5 is a Left side view thereof;  
FIG. 6 is a Top plan view thereof; and,  
FIG. 7 is a Bottom plan view thereof.

The broken lines in the drawing, including the environment within the 5 port openings located on the right side of the article, the 1 port opening located on the bottom of the article, and the two stadium-shaped connectors located on the left side of the article, depict portions of USB adapter that form no part of the claimed design.

**1 Claim, 7 Drawing Sheets**



(56)

**References Cited**

U.S. PATENT DOCUMENTS

D866,557 S \* 11/2019 Xiong ..... D14/433  
2003/0148656 A1\* 8/2003 Huang ..... H01R 13/6658  
439/501  
2006/0085584 A1\* 4/2006 Chen ..... G06F 1/1632  
710/303

\* cited by examiner

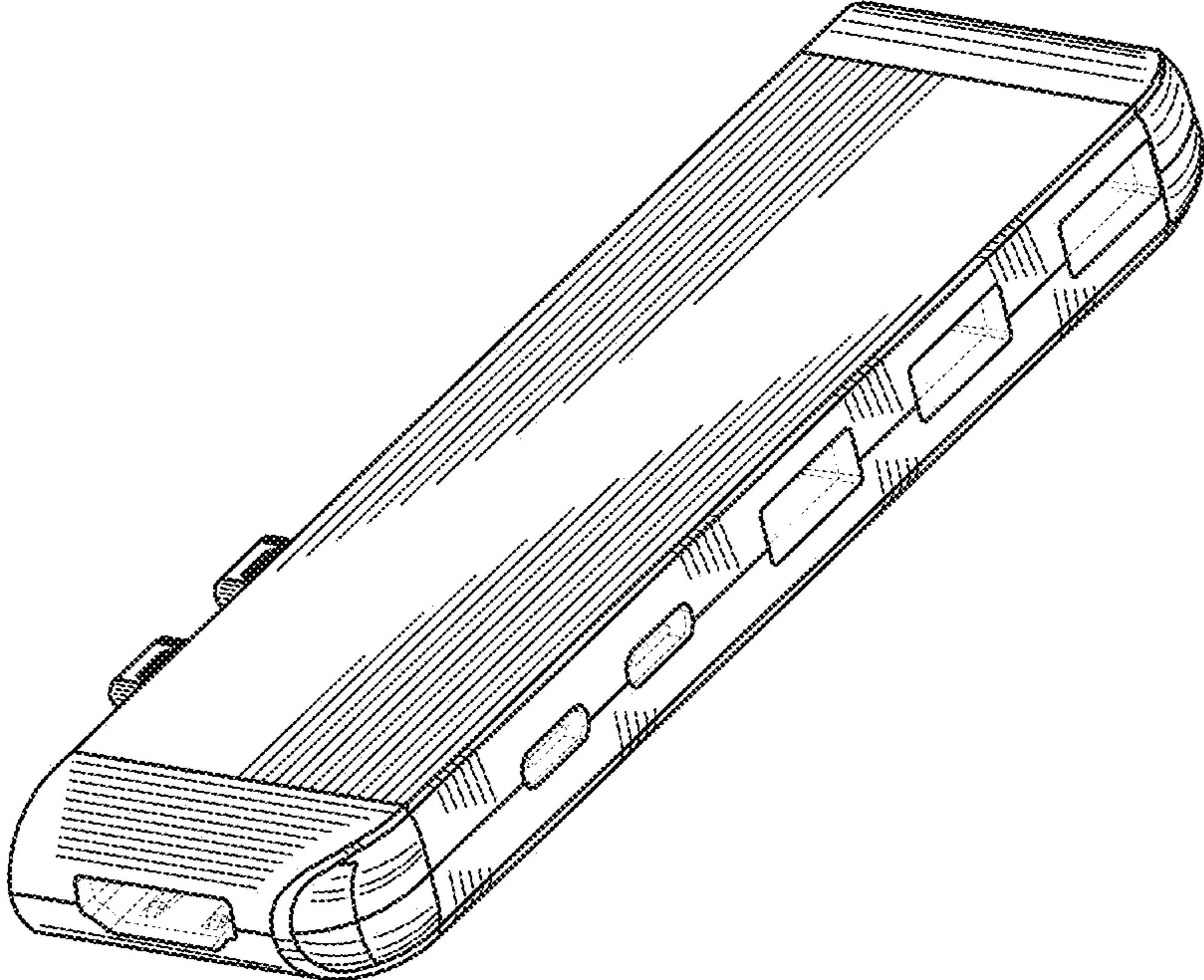


FIG.1

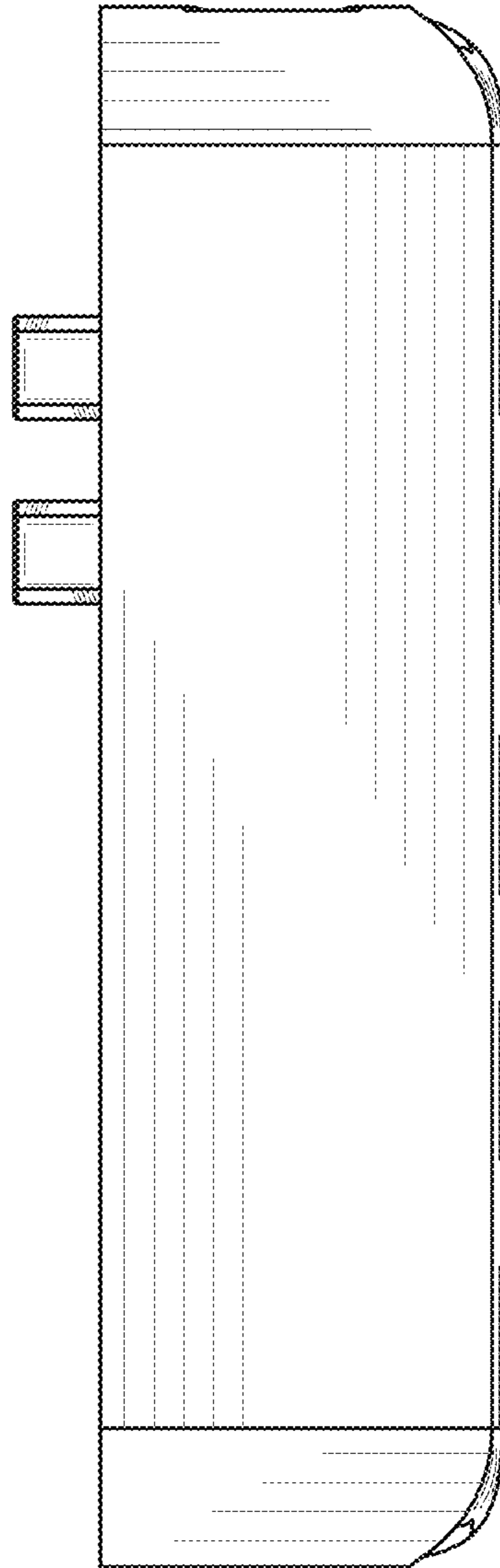


FIG.2

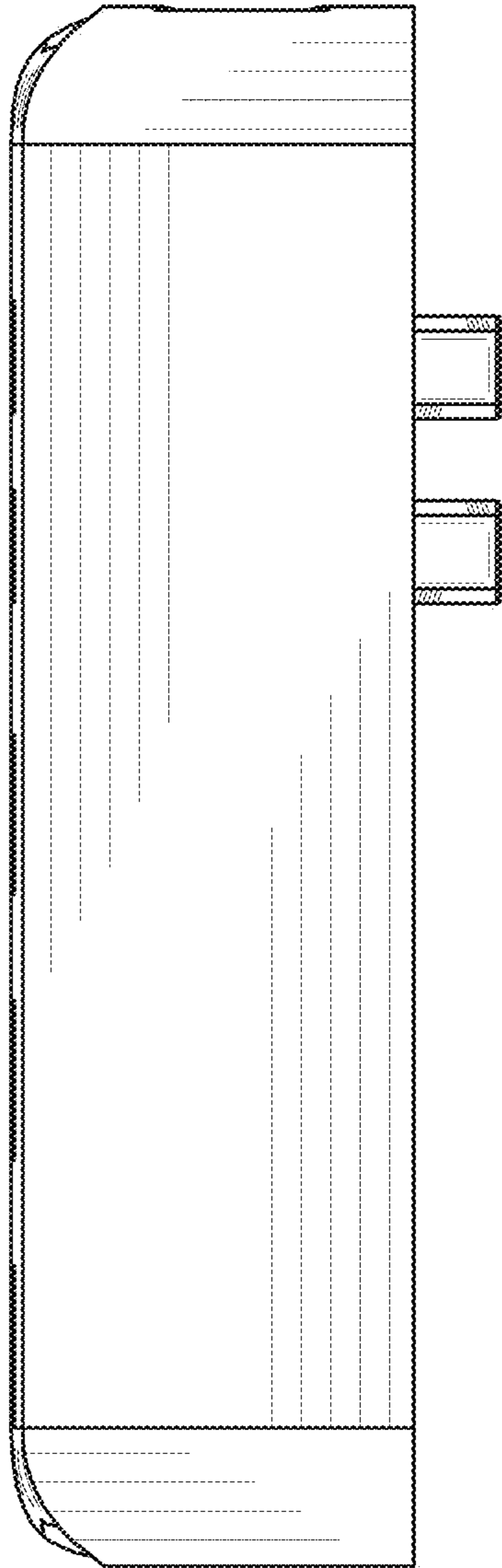


FIG.3

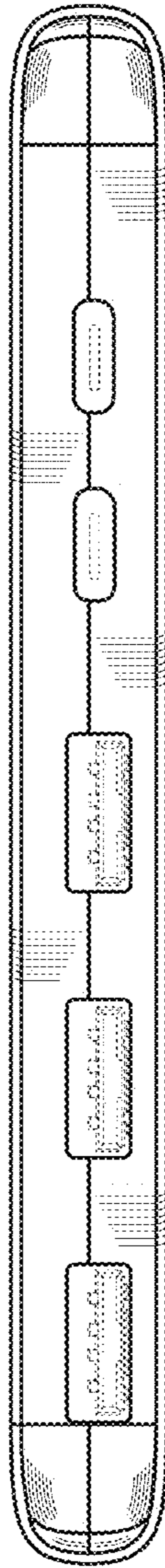


FIG.4



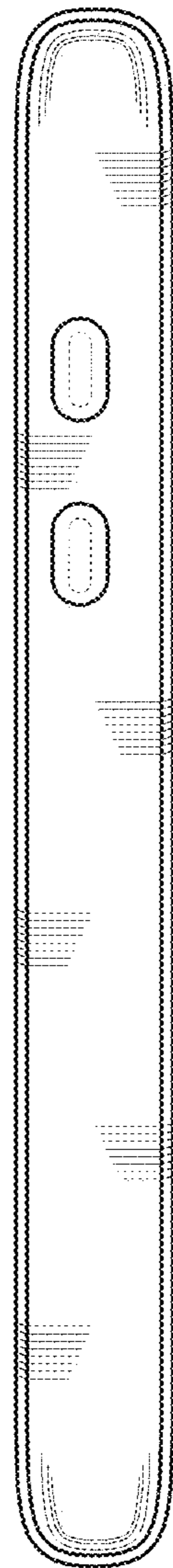


FIG.5

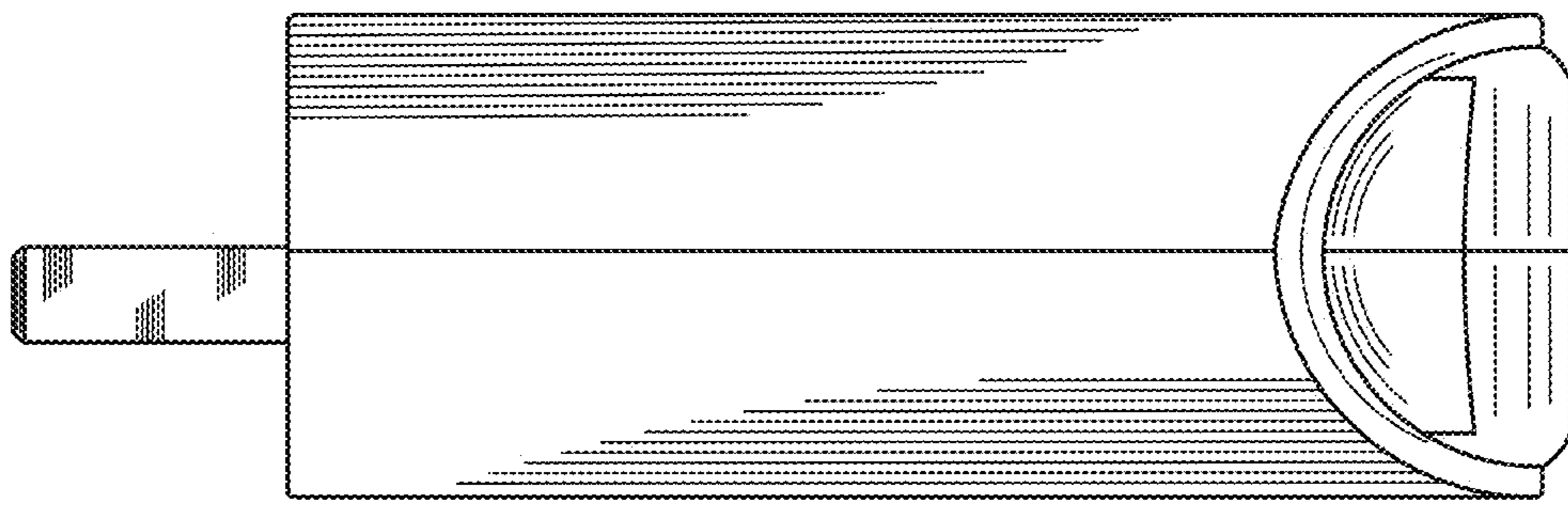


FIG.6



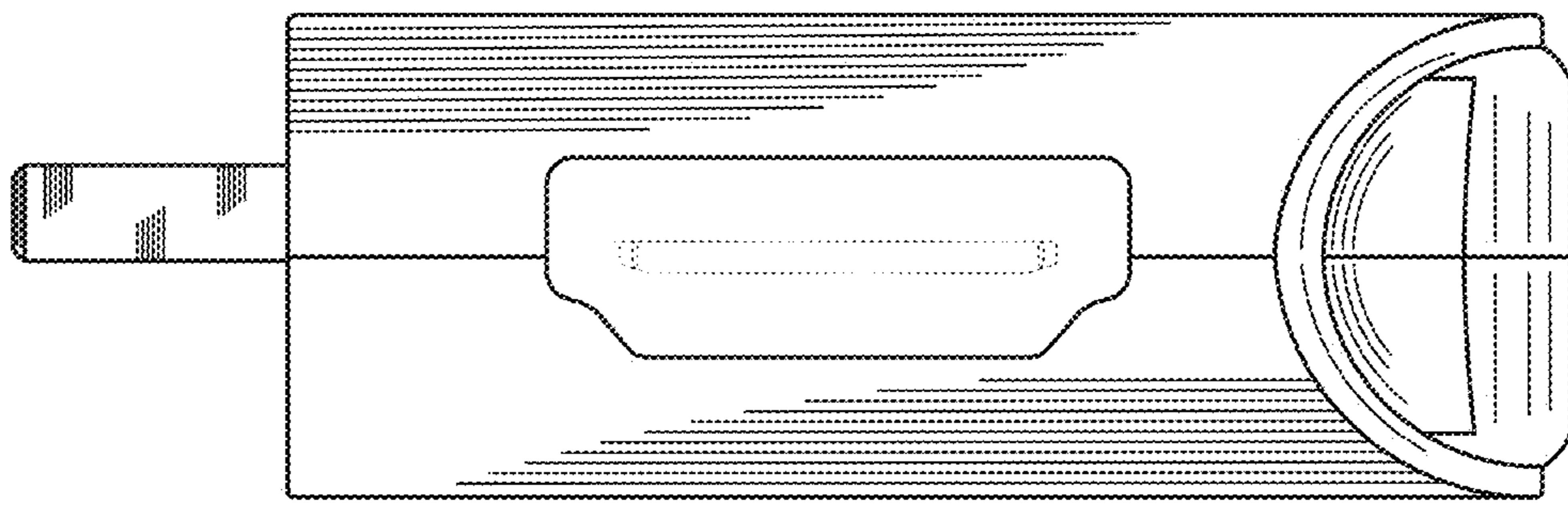


FIG.7