



US00D883979S

(12) **United States Design Patent**
Chen et al.

(10) **Patent No.:** **US D883,979 S**

(45) **Date of Patent:** **** May 12, 2020**

(54) **HEAD-MOUNTED DISPLAY DEVICE**

(71) Applicant: **Acer Incorporated**, New Taipei (TW)

(72) Inventors: **Wei-Chang Chen**, New Taipei (TW);
Jung-Wei Tsao, New Taipei (TW)

(73) Assignee: **Acer Incorporated**, New Taipei (TW)

(**) Term: **15 Years**

(21) Appl. No.: **29/684,793**

(22) Filed: **Mar. 25, 2019**

(30) **Foreign Application Priority Data**

Sep. 27, 2018 (TW) 107305783

(51) **LOC (12) Cl.** **14-02**

(52) **U.S. Cl.**
USPC **D14/372**

(58) **Field of Classification Search**

USPC D14/372, 496, 432, 371, 125, 126, 129,
D14/299; D16/300-342; 351/158, 153,
351/144; 345/7-9, 905; 455/344;
348/115, 53, 121, 739
CPC G02B 27/017; G02B 27/0158; G02B
27/0161; G02B 27/0181; G02B 27/0185;
G02B 27/0189

See application file for complete search history.

(56) **References Cited**

U.S. PATENT DOCUMENTS

D812,612 S * 3/2018 Gribetz D14/372
D819,635 S * 6/2018 Miller D14/372

D833,432 S * 11/2018 Lin D14/372
D840,399 S * 2/2019 Miller D14/372
D858,521 S * 9/2019 Neil D14/372
D859,406 S * 9/2019 Wei D14/372
D860,199 S * 9/2019 McGinty, Jr. D14/372
D860,200 S * 9/2019 McGinty, Jr. D14/372
D865,763 S * 11/2019 Lau D14/372
D865,764 S * 11/2019 Miller D14/372
D867,362 S * 11/2019 Chou D14/372
D872,079 S * 1/2020 Huang D14/372
D872,082 S * 1/2020 Denhez D14/372
D873,825 S * 1/2020 Lionel D14/372
D875,094 S * 2/2020 Miller D14/372

* cited by examiner

Primary Examiner — Austin Murphy

(74) *Attorney, Agent, or Firm* — JCIPRNET

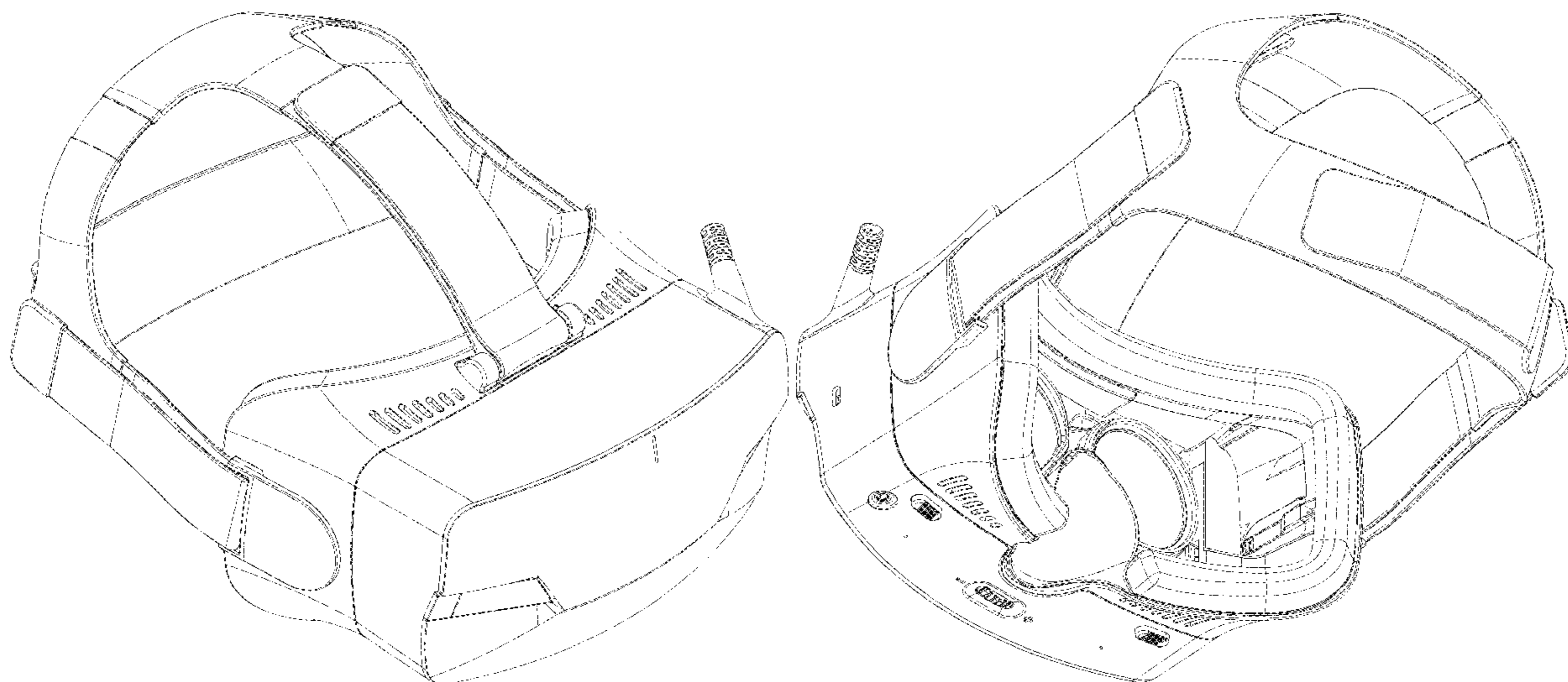
(57) **CLAIM**

The ornamental design for a head-mounted display device,
as shown.

DESCRIPTION

FIG. 1 is a front, left side, top perspective view of a
head-mounted display device showing our new design;
FIG. 2 is a rear, right side, bottom perspective view thereof;
FIG. 3 is a front, right side, bottom perspective view thereof;
FIG. 4 is a rear, left side, top perspective view thereof;
FIG. 5 is a front view thereof;
FIG. 6 is a rear view thereof;
FIG. 7 is a left side view thereof;
FIG. 8 is a right side view thereof;
FIG. 9 is a top view thereof;
FIG. 10 is a bottom view thereof; and,
FIG. 11 is an exploded right side view thereof.

1 Claim, 11 Drawing Sheets



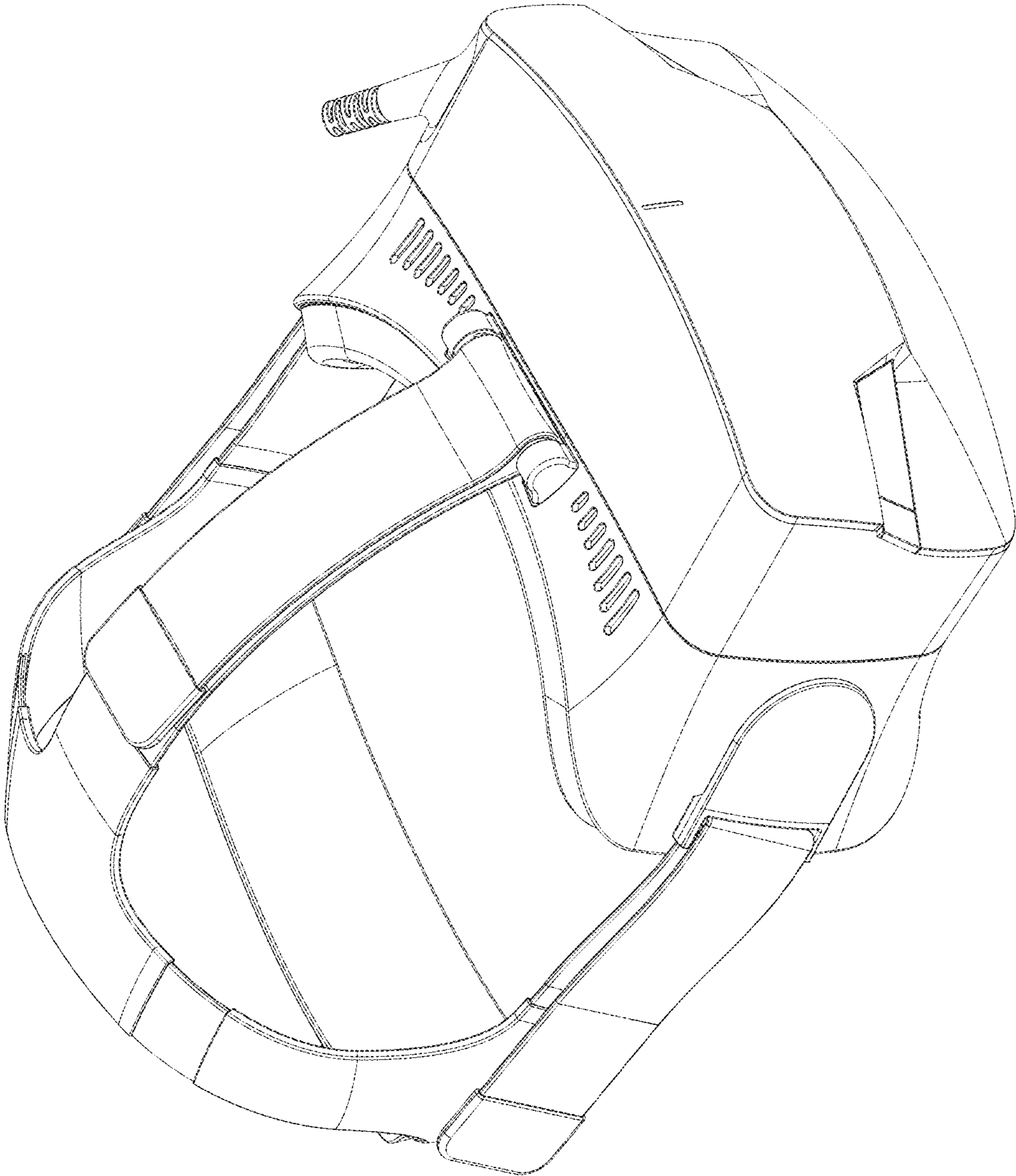


FIG. 1

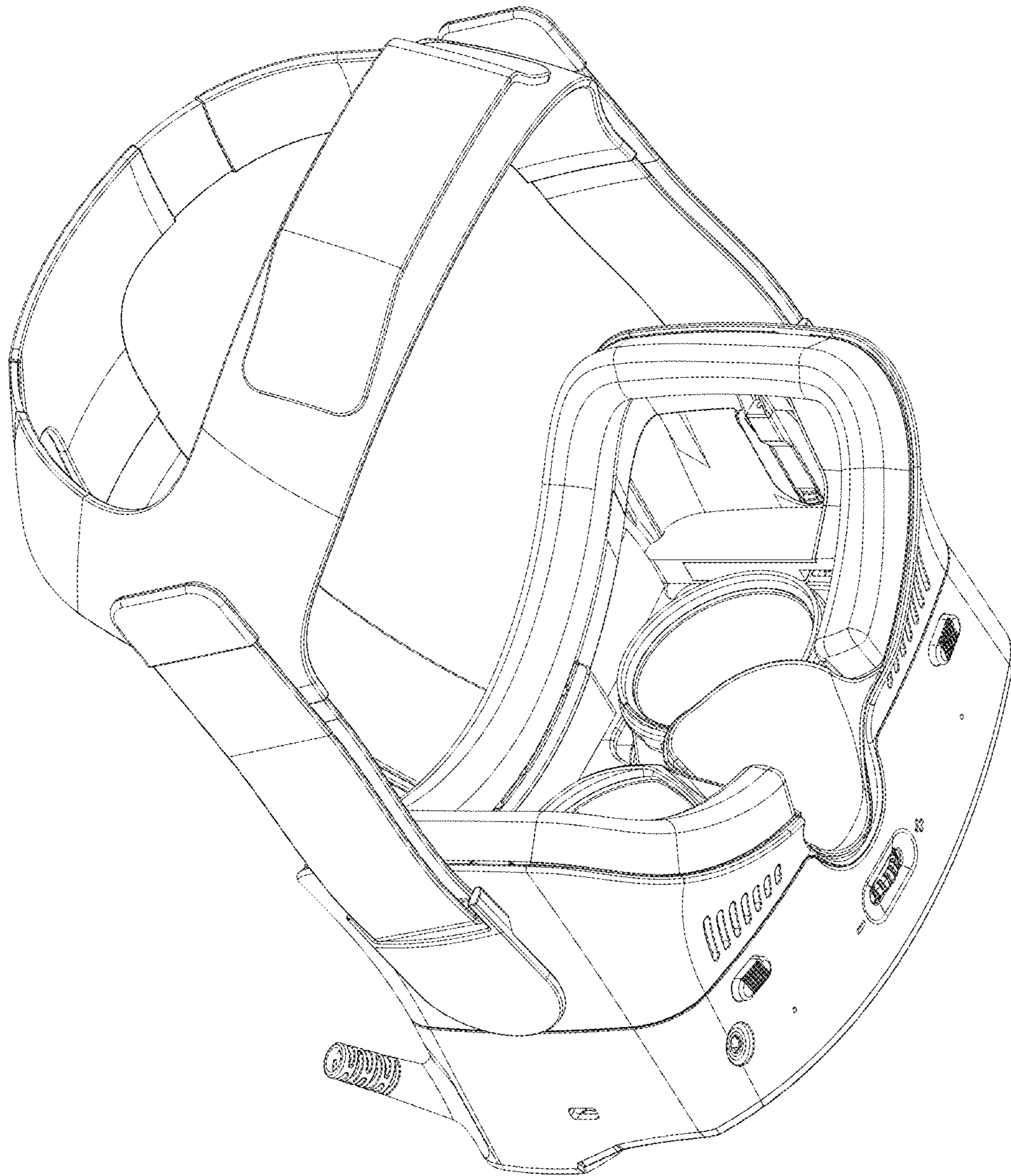


FIG. 2

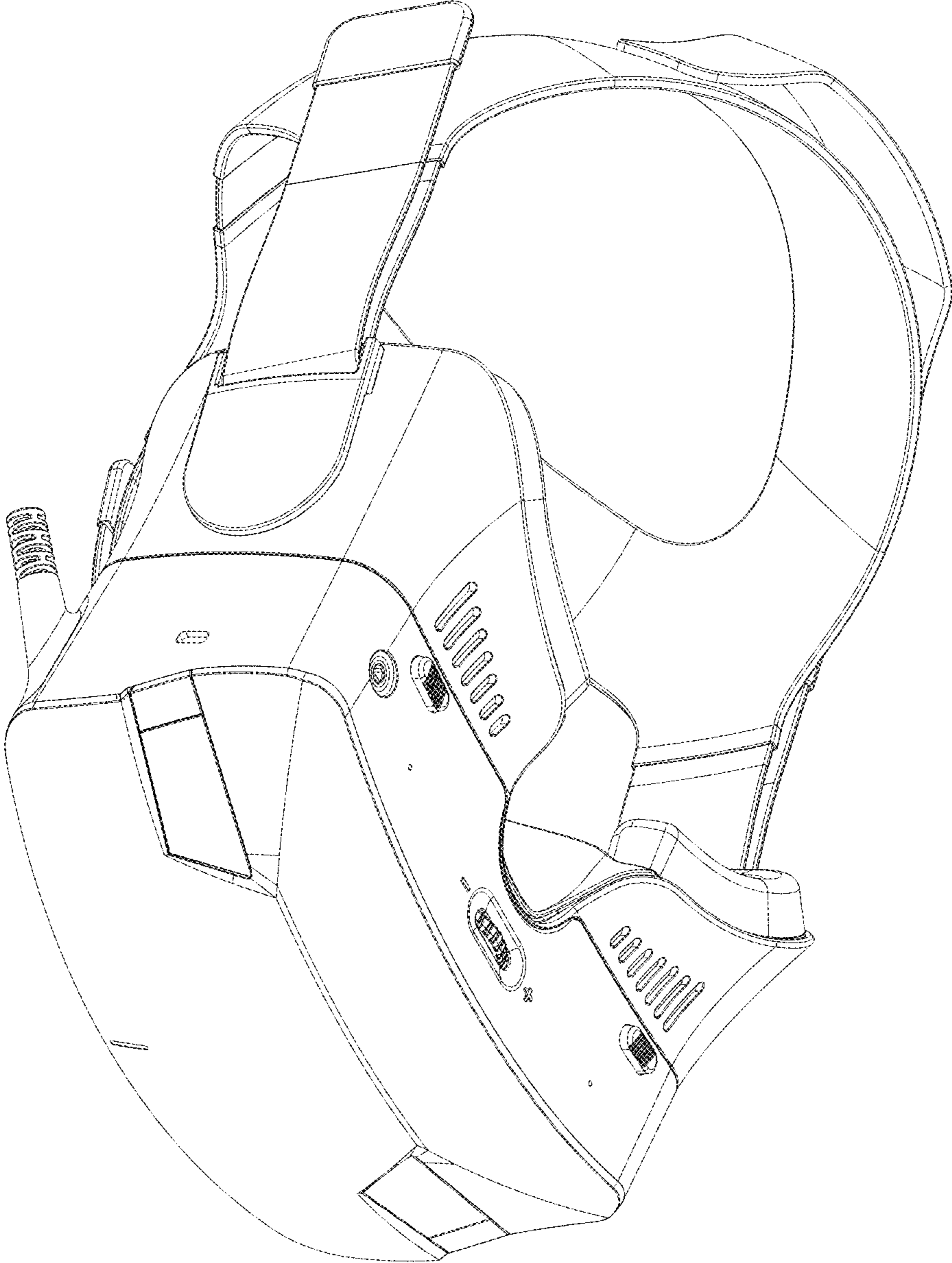


FIG. 3

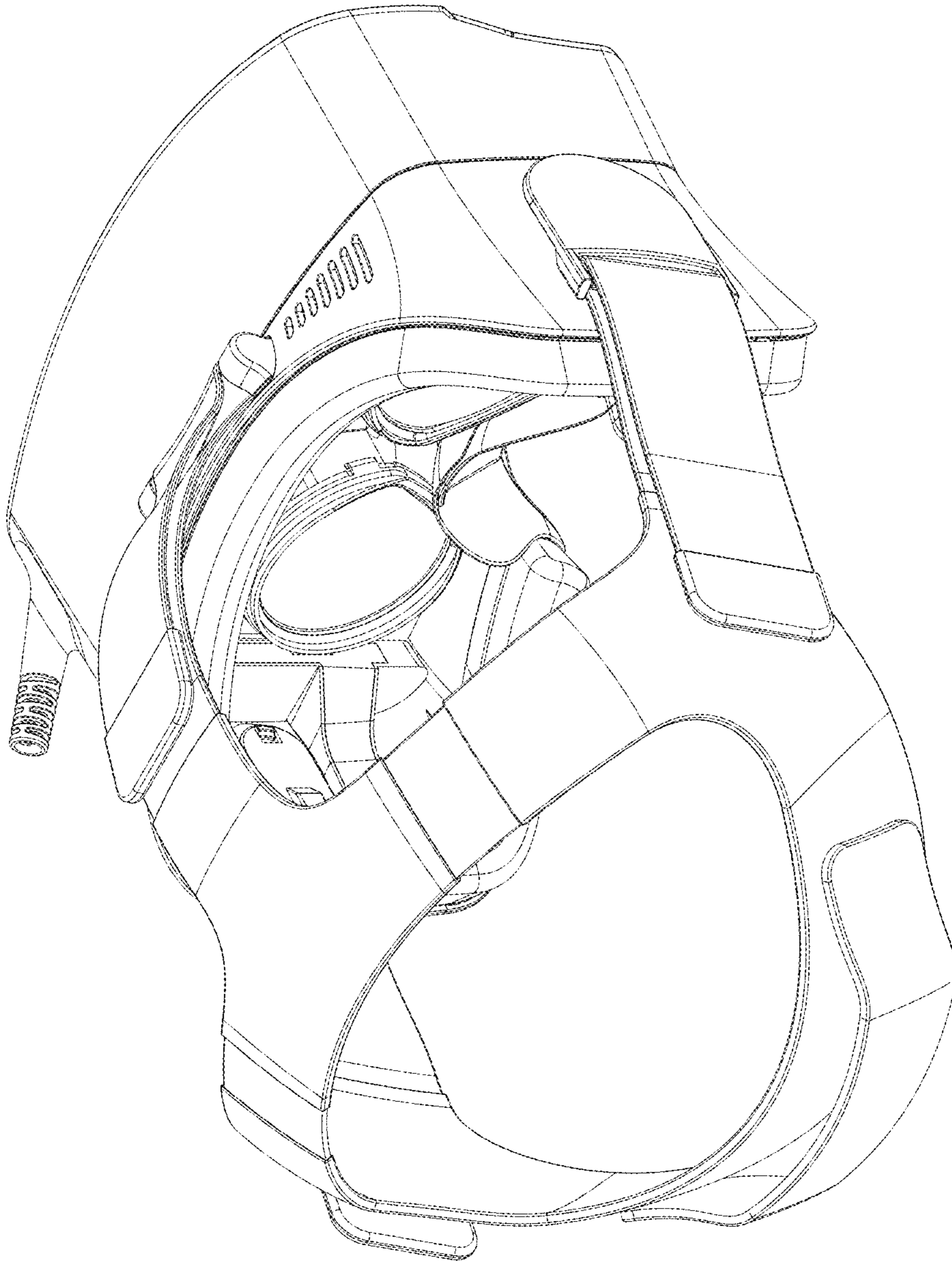


FIG. 4

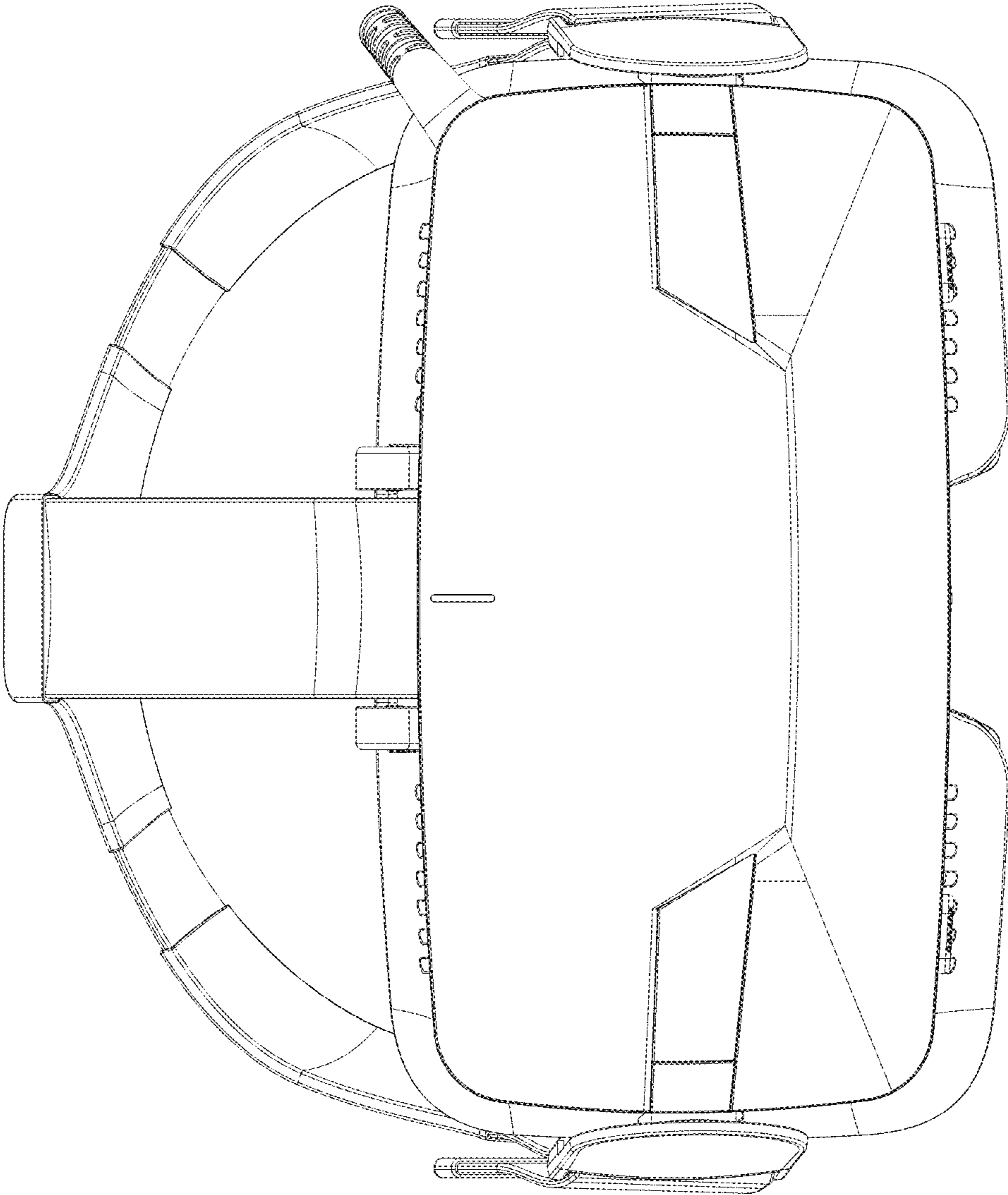


FIG. 5

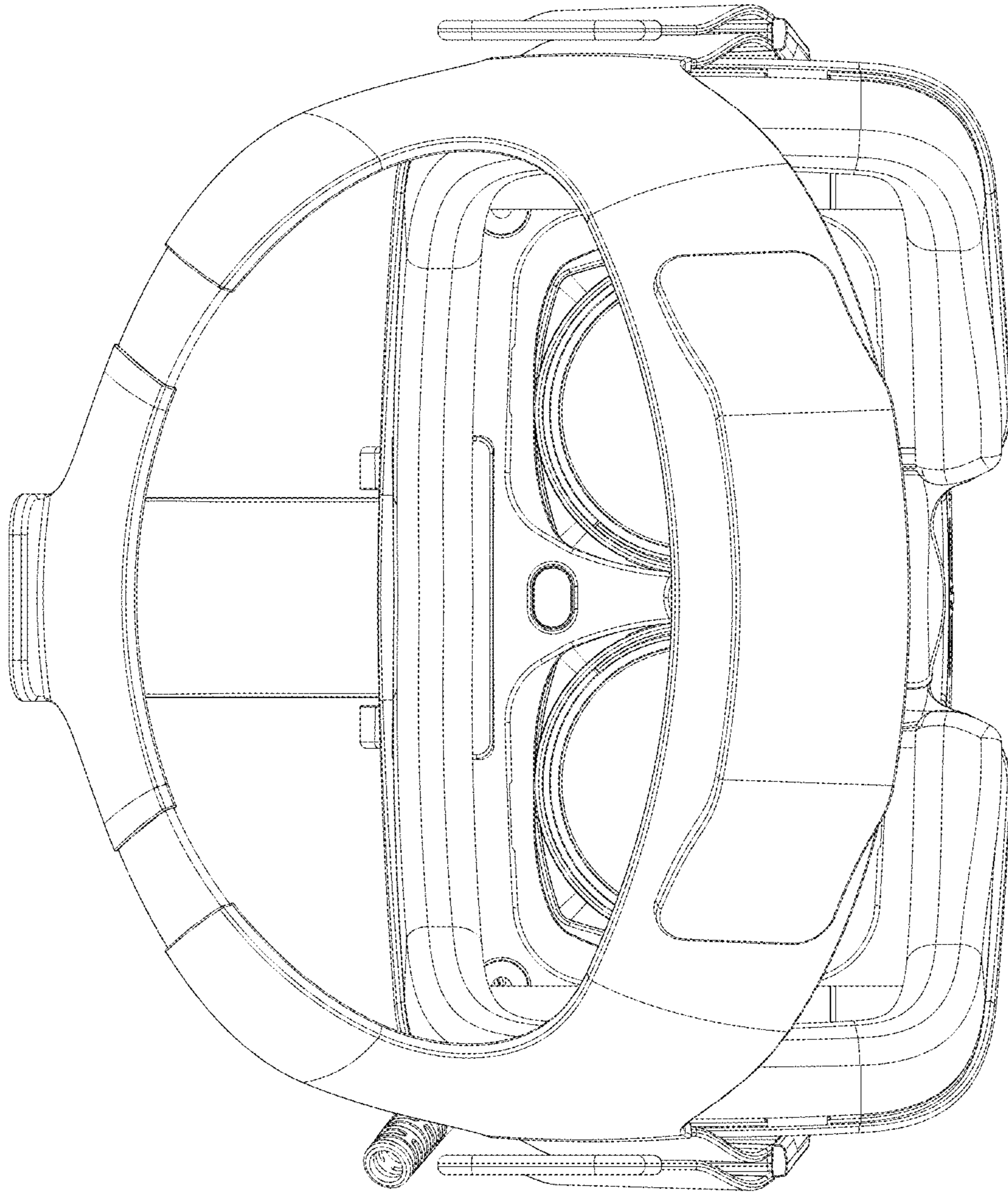


FIG. 6

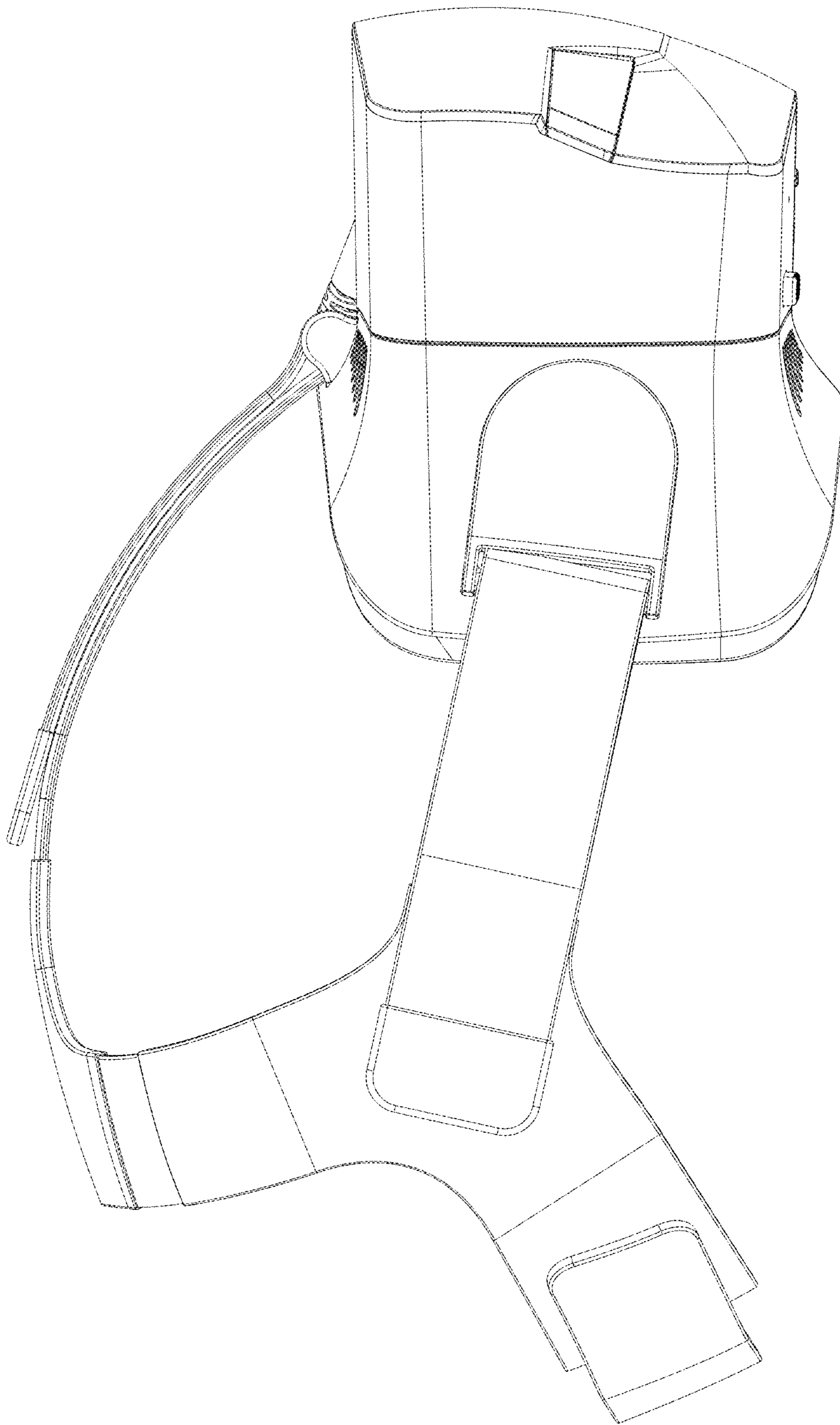


FIG. 7

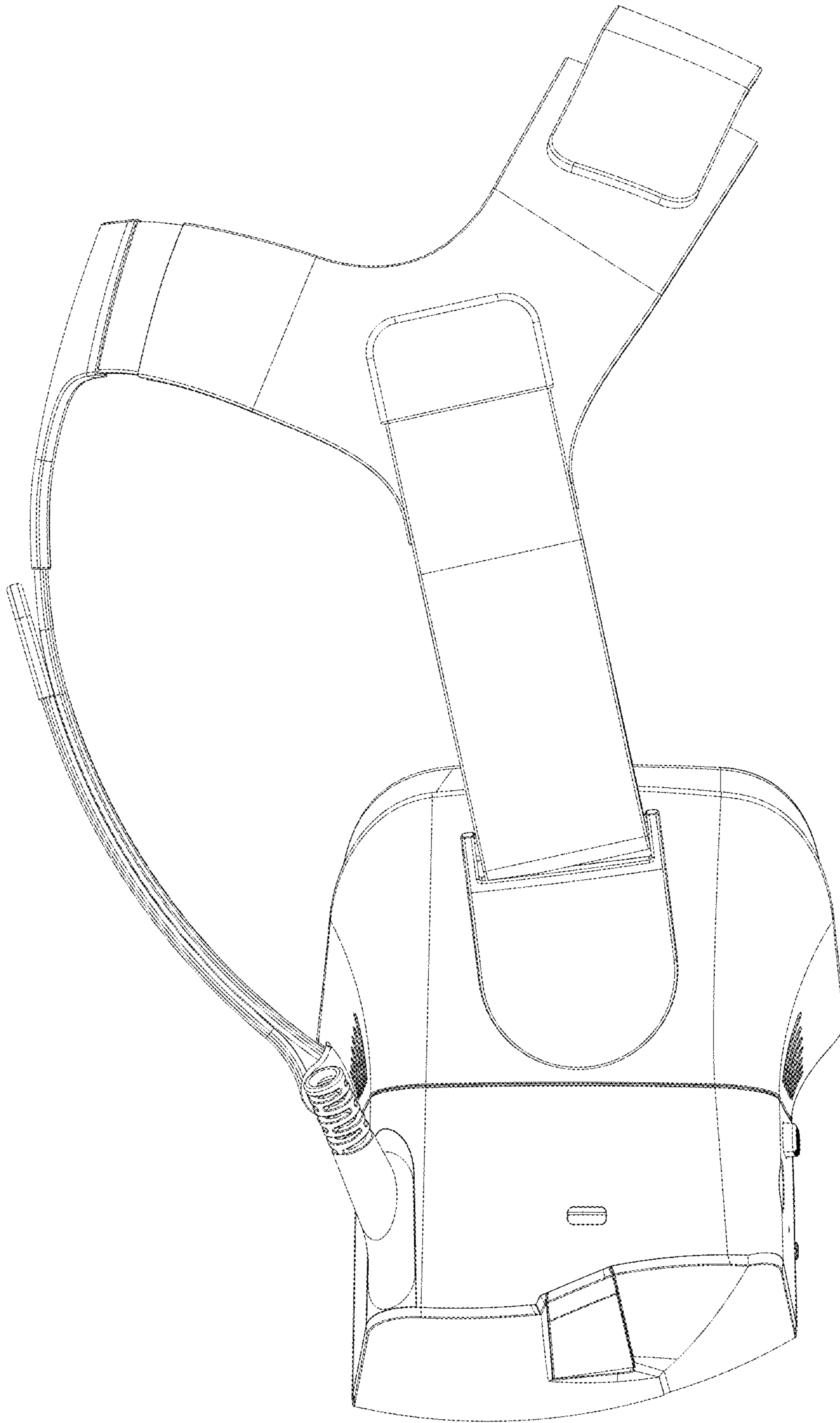


FIG. 8

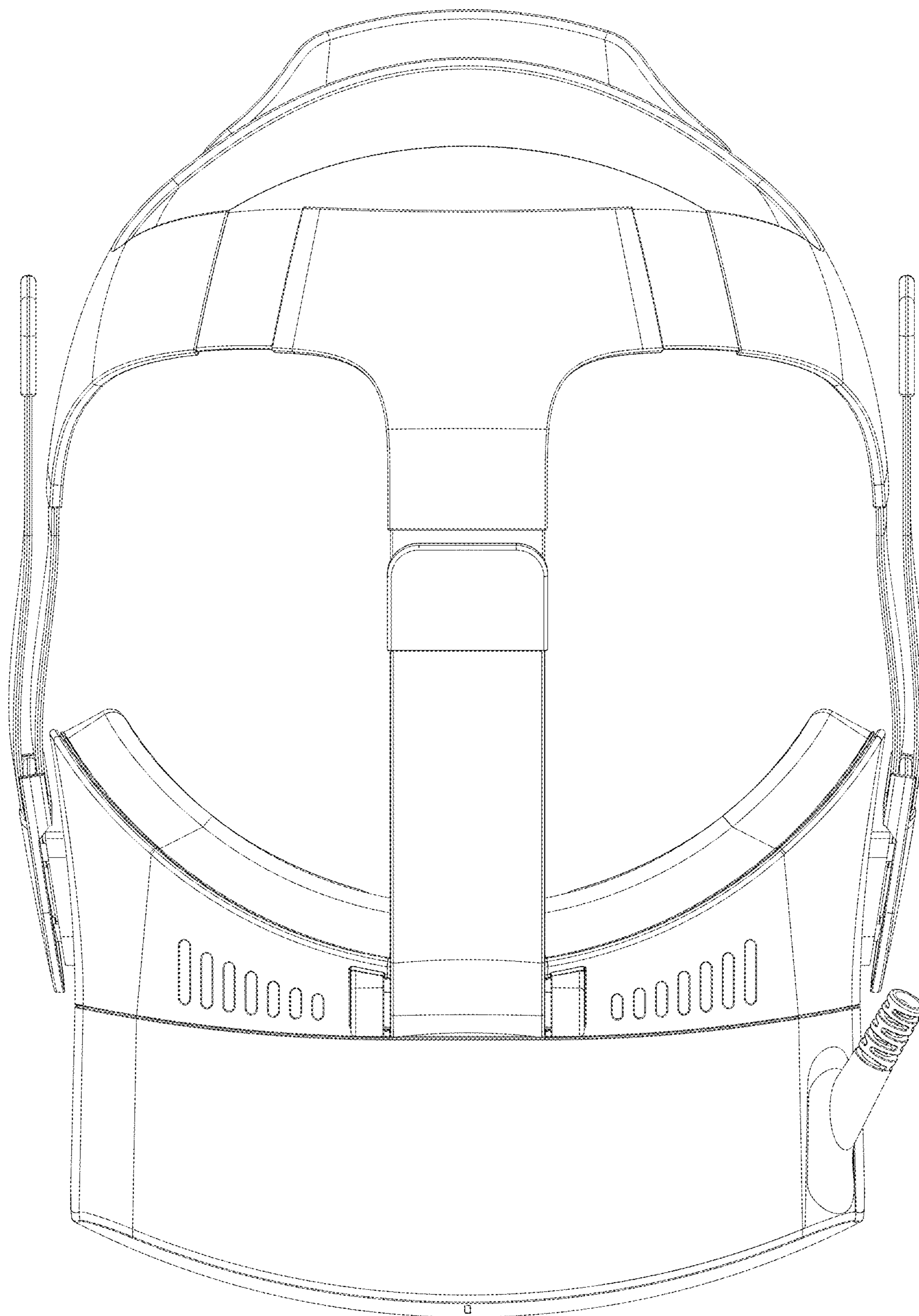


FIG. 9

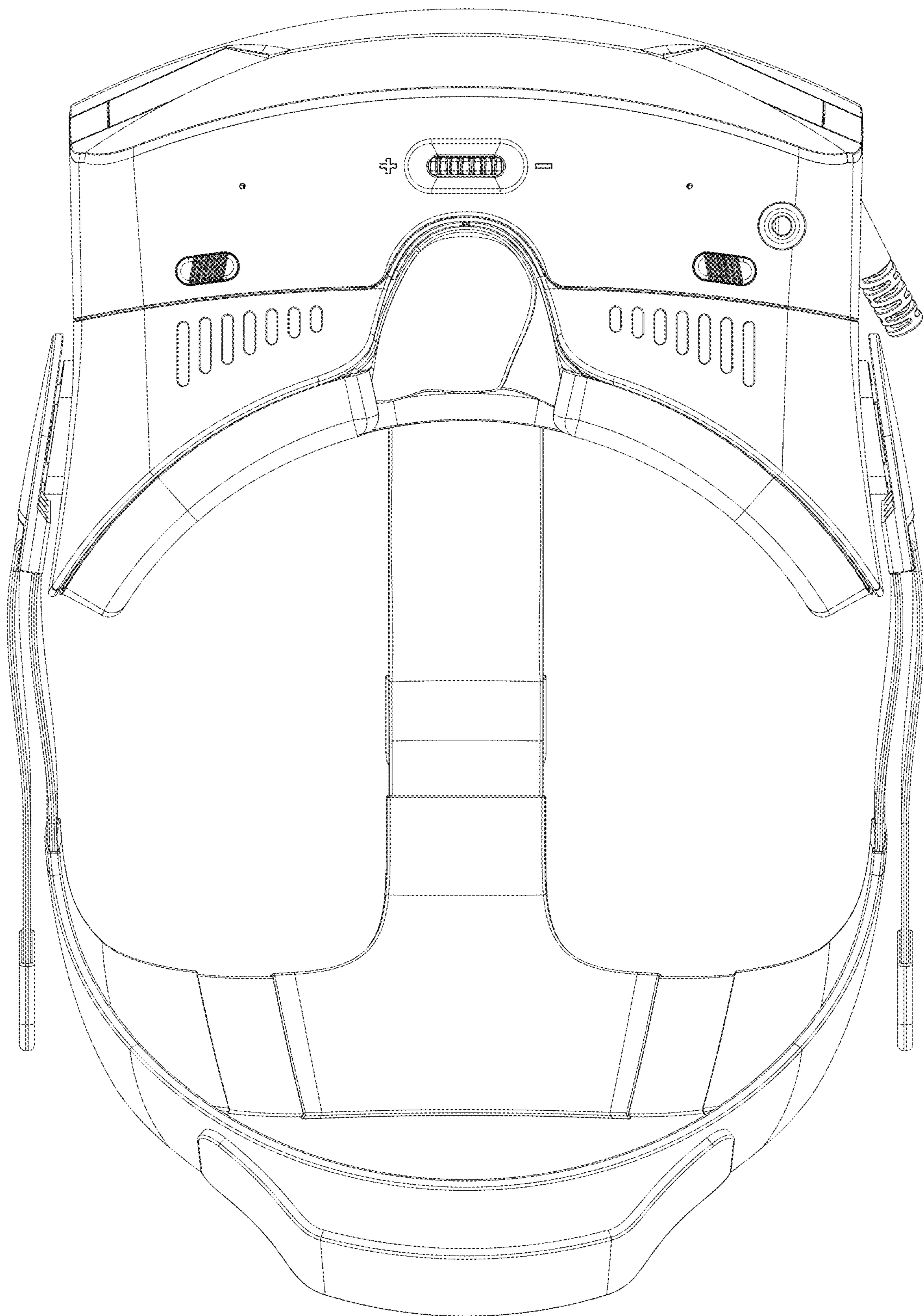


FIG. 10

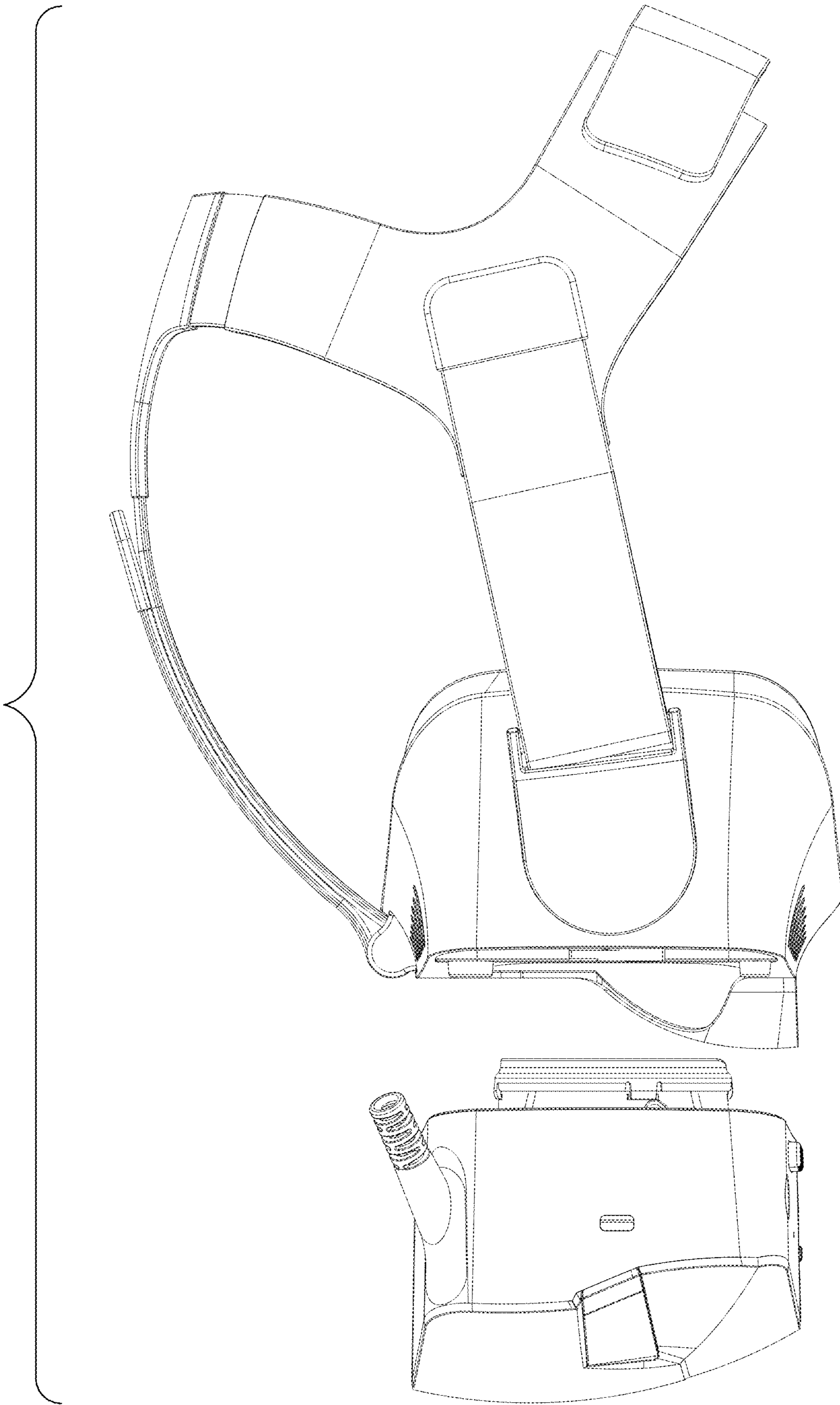


FIG. 11