



US00D883976S

(12) **United States Design Patent**  
**Akana et al.**

(10) **Patent No.:** **US D883,976 S**

(45) **Date of Patent:** **\*\* May 12, 2020**

(54) **WEARABLE DEVICE**

(71) Applicant: **Apple Inc.**, Cupertino, CA (US)

(72) Inventors: **Jody Akana**, San Francisco, CA (US);  
**Bartley K. Andre**, Palo Alto, CA (US);  
**Shota Aoyagi**, San Francisco, CA (US);  
**Anthony Michael Ashcroft**, San Francisco, CA (US);  
**Jeremy Bataillou**, San Francisco, CA (US);  
**Daniel J. Coster**, San Francisco, CA (US);  
**Daniele De Iuliis**, San Francisco, CA (US);  
**M. Evans Hankey**, San Francisco, CA (US);  
**Julian Hoenig**, San Francisco, CA (US);  
**Richard P. Howarth**, San Francisco, CA (US);  
**Jonathan P. Ive**, San Francisco, CA (US);  
**Duncan Robert Kerr**, San Francisco, CA (US);  
**Marc A. Newson**, London (GB);  
**Matthew Dean Rohrbach**, San Francisco, CA (US);  
**Peter Russell-Clarke**, San Francisco, CA (US);  
**Benjamin Andrew Shaffer**, San Jose, CA (US);  
**Mikael Silvanto**, San Francisco, CA (US);  
**Christopher J. Stringer**, Woodside, CA (US);  
**Eugene Antony Whang**, San Francisco, CA (US);  
**Rico Zörkendörfer**, San Francisco, CA (US)

(73) Assignee: **Apple Inc.**, Cupertino, CA (US)

(\*\*) Term: **15 Years**

(21) Appl. No.: **29/662,900**

(22) Filed: **Sep. 10, 2018**

**Related U.S. Application Data**

(63) Continuation of application No. 29/615,074, filed on Aug. 25, 2017, now Pat. No. Des. 828,352, which is a continuation of application No. 29/583,454, filed on Nov. 4, 2016, now Pat. No. Des. 795,864, which is a

continuation of application No. 29/499,082, filed on Aug. 11, 2014, now Pat. No. Des. 771,036.

(51) **LOC (12) CI.** ..... **14-02**

(52) **U.S. CI.**  
USPC ..... **D14/344**

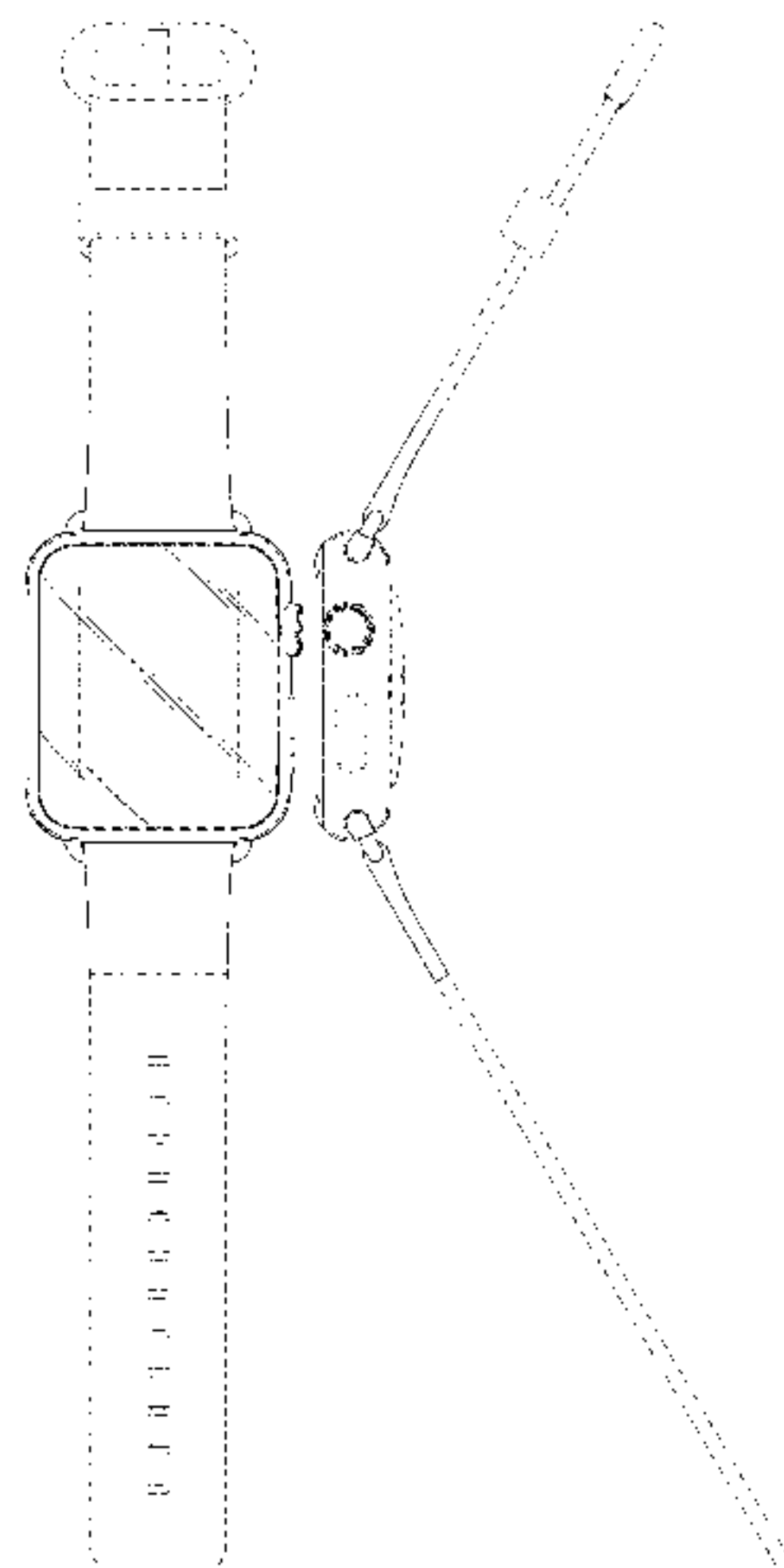
(58) **Field of Classification Search**  
USPC ... D14/138 R, 144, 341, 344, 358, 388, 218,  
D14/485-495; D10/30-39, 70, 98;  
D11/3, 4, 26, 93-94, 78.1, 79, 86;  
D24/167, 169, 186-187, 164  
CPC ..... A41D 1/002; A41D 19/0034; G06F 1/04;  
G06F 1/08; G06F 1/10; G06F 1/14; G06F  
1/1626; G06F 1/1628; G06F 1/163; G06F  
1/1635; G06F 1/3203; G06Q 20/10;  
G06Q 20/12; G06Q 20/108; G06Q  
20/145; H04B 1/3833; H04B 1/385;  
H04B 1/3888; H04M 1/02; H04M 1/03;  
H04M 1/04; H04M 1/05; H04M 1/667;  
H04M 1/6058; Y02B 60/1217

See application file for complete search history.

(56) **References Cited**

U.S. PATENT DOCUMENTS

|             |         |                 |
|-------------|---------|-----------------|
| 2,280,490 A | 4/1942  | Keltie          |
| 2,397,797 A | 4/1946  | Curto           |
| D152,491 S  | 1/1949  | Osier           |
| 3,030,686 A | 4/1962  | Burkhardt       |
| 3,640,065 A | 2/1972  | Lederrey et al. |
| 3,665,565 A | 5/1972  | Kruger          |
| 3,675,284 A | 7/1972  | Rieth           |
| D269,254 S  | 6/1983  | Kishimoto       |
| D287,471 S  | 12/1986 | Sato            |
| D299,718 S  | 2/1989  | Steer et al.    |
| D305,422 S  | 1/1990  | Steer et al.    |
| D320,356 S  | 10/1991 | Boyer et al.    |
| D331,020 S  | 11/1992 | Ishii et al.    |
| D333,626 S  | 3/1993  | Chang           |
| D349,864 S  | 8/1994  | Dunlap et al.   |
| 5,363,351 A | 11/1994 | Carney          |
| D355,375 S  | 2/1995  | Bandy, II       |
| 5,386,933 A | 2/1995  | Greene et al.   |
| 5,574,701 A | 11/1996 | Harilela        |
| D377,914 S  | 2/1997  | Riley           |
| D379,327 S  | 5/1997  | Navera          |
| D379,775 S  | 6/1997  | Gazzola         |
| D383,985 S  | 9/1997  | Davenport       |







WO WO-DM/079044-003 9/2012  
 WO WO-2013182397 A1 12/2013  
 WO WO-2014135709 A2 9/2014

## OTHER PUBLICATIONS

Alvarez, Edgar, "Basis Peak to get its smartwatch-like features in December," *engadget.com*, < <http://www.engadget.com/2014/11/20/basis-peak-new-features/>>, dated Nov. 20, 2014, accessed Dec. 15, 2014.

Apple Watch: What We Know So Far, posted Feb. 24, 2015] Retrieved from Internet, (URL: <https://watchaware.com/post/4552/apple-watch-what-we-know-so-far-test-title>), accessed on Jun. 19, 2017.

Battle of the Smart watches: Apple Watch vs. the Android Wear Host [Design] The Apple Watch is here, but what will you choose?, posted Sep. 10, 2014, Retrieved from Internet, (URL: [http://news.softpedia.com/news/Battle-of-the-Smartwatches-Apple-Watch-vs-the-Android-Wear-Host-Design-458328.shtml#sgal\\_1](http://news.softpedia.com/news/Battle-of-the-Smartwatches-Apple-Watch-vs-the-Android-Wear-Host-Design-458328.shtml#sgal_1)), accessed on Jun. 19, 2017.

Cool Material, "Braun Square Digital Watch," < <http://web.archive.org/web/20111125033014/http://coolmaterial.com/style/braun-square-digital-watch/>>, dated Nov. 25, 2011, accessed Dec. 18, 2014.

Emily, "Nixon—The Newton Digital," < <http://www.freshnessmag.com/2009/09/08/nixon-the-newton-digital/>>, *freshnessmag.com*, dated Sep. 8, 2009, accessed Oct. 9, 2014.

etsy.com, "1 Set Silver End Cap Clasp—Findings Large Toggle Clasp End Caps Buckle Connector with Five Inside Loops for Jewelry Making 26mm," < <http://www.etsy.com/listing/101269004/1-set-silver-end-cap-clasp-findings?ref=market>>, Listed on Aug. 29, 2014, accessed Oct. 9, 2014.

"Field Ops Watch Band Kit" < <http://www.511tactical.com/field-ops-watch-band-kit.html>>, accessed Nov. 25, 2014.

Fitbit, "Fitbit Surge™ Fitness Super Watch" < <https://www.fitbit.com/surge>>, accessed Dec. 15, 2014.

geekbuying.com, "Makibes unisex red led digital wrist watch with square case silicone watchband—white," < <http://www.geekbuying.com/item/Unisex-Red-LED-Digital-Wrist-Watch-with-Square-Case-Silicone-Watchband---White-326443.html>>, accessed Oct. 9, 2014.

Google's upcoming smartwatch is an Android project not X Lab, posted Mar. 22, 2013, [retrieved Jul. 22, 2016]. Retrieved from Internet, <URL: <http://www.talkandroid.com/155456-google-upcoming-smartwatch-is-an-android-project-not-x-lab/>>.

Hiemstra, Graham, "Worn & Wound Model 1 Horween Watch Strap," < <http://www.coolhunting.com/style/worn-wound-model-1-horween-watch-strap>>, dated Aug. 27, 2013, accessed Nov. 25, 2014.

Hilbourne, Jason, "Wide Body: straps for Pebble," < <https://www.kickstarter.com/projects/1171859847/wide-body-straps-for-pebble>>, Listed Apr. 2, 2013, accessed Nov. 25, 2014.

Hodinkee.com, "Apple iPod Nano Now Available With Mickey Mouse Dial, Also Cheesy, Mechanically Inaccurate Open-Worked Dial," < <http://web.archive.org/web/20111006043916/http://www.hodinkee.com/blog/2011/10/5/apple-ipod-nano-now-available-with-mickey-mouse-dial-also-ch.html>>, dated Oct. 6, 2011, accessed Dec. 18, 2014.

Homego, "M6 Silver Smart Watch Cell Phone 1.54 inch Bluetooth 3.0 Dialer Outdoor Sports Pedometer," *amazon.com*, < <http://www.amazon.com/Silver-Bluetooth-Dialer-Outdoor-Pedometer/dp/B00MQTBGK6>>, accessed Dec. 15, 2014.

Ikepod, "Original Ikepod Watch With GMT—Marc Newson Design," *Watchbox.be*, < <http://www.watchbox.be/prod/Others-Watches/Marc%20Newson%20Design/item7165.htm#.VJLm2fAo5D8>>, accessed Dec. 17, 2014.

LG Life's Good, "LG G Watch (W100)," < <http://www.lg.com/us/smart-watches/lg-W100-g-watch>>, accessed Dec. 18, 2014.

Metawatch, "Frame—Black (MW3005)," < <http://meta.watch/collections/smartwatch-all/products/frame-ss-black-leather>>, accessed Dec. 15, 2014.

Omate, "Omate TrueSmart: Water-resistant standalone Smartwatch 2.0," < <http://www.kickstarter.com/projects/omate/omate-truesmart-water-resistant-standalone-smartwa>>, dated Aug. 21, 2013, accessed Oct. 8, 2014.

Omate Smartwatch Launches on Kickstarter Offering a Wealth of Features, posted Aug. 22, 2013, [retrieved Jul. 22, 2016]. Retrieved from Internet, URL: <http://www.geeky-gadgets.com/omate-smartwatch-launches-on-kickstarter-offering-a-wealth-offeatures-video-22-08-2013/>.

Omate, "The TrueSmart™ is the world's first standalone smartwatch 2.0 running on top of Android and OUI 2.0," < <http://www.omate.com/product.html>>, accessed Dec. 15, 2014.

[Online] [http://a.abcnews.com/images/Business/HT\\_gold\\_apple\\_iwatch\\_jef\\_140909\\_4x3\\_992.jpg](http://a.abcnews.com/images/Business/HT_gold_apple_iwatch_jef_140909_4x3_992.jpg), Retrieved on Feb. 4, 2015, 1 page.

Pebble, "Pebble Smartwatch," *getpebble.com*, < <https://getpebble.com/checkout>>, accessed Dec. 15, 2014.

Samsung, "Samsung Gear™ 2 Charcoal Black SM-R3800VSAXAR," < <http://www.samsung.com/us/mobile/wearable-tech/SM-R3800VSAXAR>>, accessed Dec. 15, 2014.

Samsung, "Samsung Gear S™, (Sprint), Black SM-R750PZKASPR," < <http://www.samsung.com/us/mobile/wearable-tech/SM-R750PZKASPR>>, accessed Dec. 15, 2014.

Samsung, "Galaxy Gear™ Live, Black SM-R3820ZKAXAR," < <http://www.samsung.com/us/mobile/wearable-tech/SM-R3820ZKAXAR>>, accessed Dec. 15, 2014.

Sony, "SmartWatch 3 SWR50," < <http://www.sonymobile.com/us/products/smartwear/smartwatch-3-swr50/>>, accessed Dec. 15, 2014.

Sony, "SmartWatch," < <http://www.sonymobile.com/us/products/accessories/smartwatch/>>, accessed Dec. 15, 2014.

Stables, James, "Clevercare smartwatch aims to help Alzheimer's suffers and carers: Revamped Sony SmartWatch 2 designed for users that need care," *Wearable News*, < <http://www.wearable.com/wearable-tech/clevercare-smartwatch-aims-to-help-alzheimers-suffers-and-carers-585>>, dated Dec. 15, 2014.

Team Luxe, "Collectors Edition: Hermes Carre H Watch," *Luxpresso*, < <http://luxpresso.com/news-couture/collectors-edition-hermes-carre-h-watch/2814>>, dated Jan. 10, 2011, accessed Dec. 18, 2014.

Ted Baker, "Ted Baker Men's TE1054 Time Flies Contemporary Square Digital Case Watch," < <http://www.amazon.com/Ted-Baker-TE1054-Contemporary-Digital/dp/B0045CRTYO%3FSubscriptionId%3DAKIAJ3U4YRIBWCGGKZ2A%26tag%3Dfrases365-20%26linkCode%3Dsp1%26camp%3D2025%26creative%3D165953%26creativeASIN%3DB0045CRTYO>>, accessed Oct. 9, 2014.

"Timex Men's Q7B808 Ironman Triathlon 30-Lap Resin 16mm Replacement Watchband" < [http://www.amazon.com/Timex-Ironman-Triathlon-Replacement-Watchband/dp/B003OPZ5D0/ref=sr\\_1\\_1?s=apparel&ie=UTF8&qid=1416701895&sr=1-1&keywords=Timex+Men%27s+Q7B808+Ironman+Triathlon+30-Lap+Resin+16mm+Replacement+Watchband](http://www.amazon.com/Timex-Ironman-Triathlon-Replacement-Watchband/dp/B003OPZ5D0/ref=sr_1_1?s=apparel&ie=UTF8&qid=1416701895&sr=1-1&keywords=Timex+Men%27s+Q7B808+Ironman+Triathlon+30-Lap+Resin+16mm+Replacement+Watchband)>, accessed Nov. 25, 2014.

Velazco, Chris, "ASUS ZenWatch review: subtle and stylish, with a few shortcomings," *Engadget.com*, < <http://www.engadget.com/2014/12/11/asus-zenwatch-review/>>, dated Dec. 11, 2014, accessed Dec. 15, 2014.

Watches Infoniac.com, "Hermes Carre H Watch—Extremely Contemporary Design," < <http://watches.infoniac.com/carre-h-watch-hermes.html>>, dated Aug. 13, 2010, accessed Dec. 18, 2014.

Watchismo, "Braun BN0042 Black Date Leather," < <http://web.archive.org/web/20130815073830/http://www.watchismo.com/braun-bn0042bkbk.aspx>>, dated Aug. 15, 2013, accessed Dec. 18, 2014.

\* cited by examiner

*Primary Examiner* — Shannon W Morgan

*Assistant Examiner* — Kristin E Reed

(74) *Attorney, Agent, or Firm* — Sterne, Kessler, Goldstein & Fox P.L.L.C.

(57)

## CLAIM

The ornamental design for a wearable device, as shown and described.

## DESCRIPTION

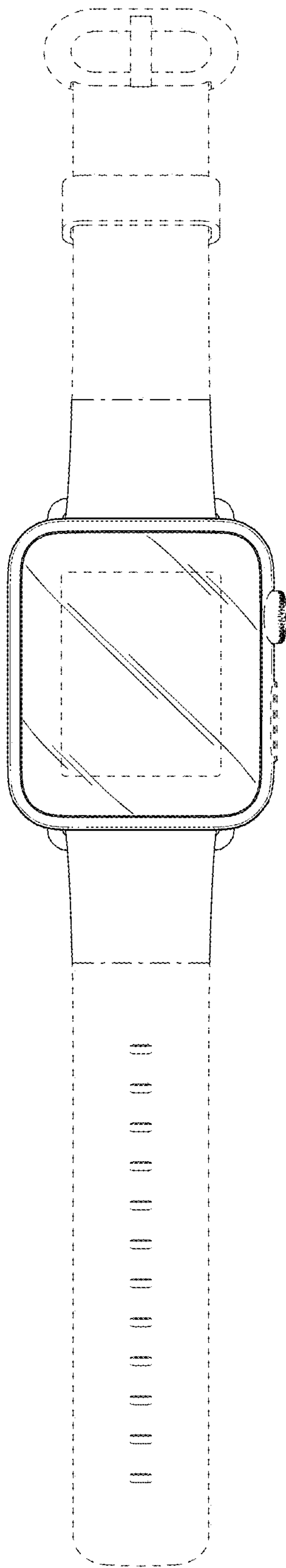
FIG. 1 is a front view of a wearable device showing the claimed design;

FIG. 2 is a rear view thereof;  
FIG. 3 is a right side view thereof;  
FIG. 4 is a left side view thereof;  
FIG. 5 is a top view thereof; and,  
FIG. 6 is a bottom view thereof.

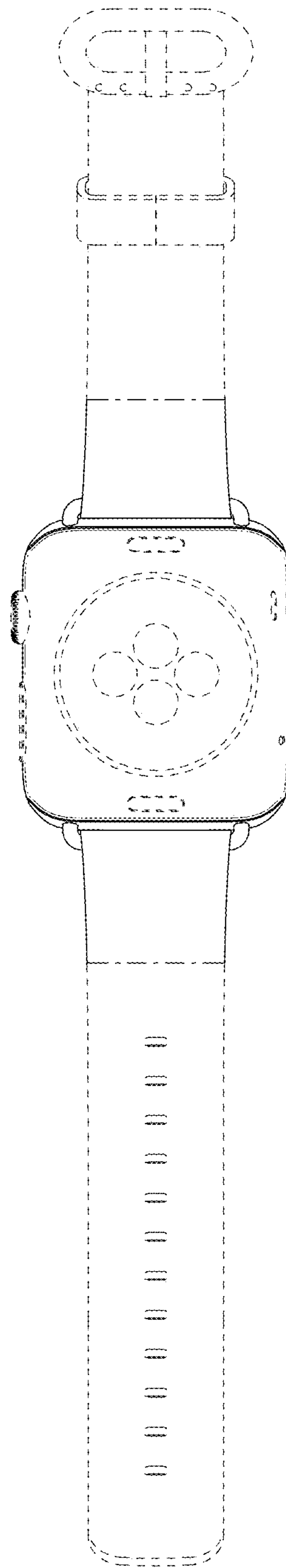
The dashed broken lines in the figures show portions of the wearable device that form no part of the claimed design.

The dot-dash broken lines in the figures show boundaries that form no part of the claimed design.

**1 Claim, 4 Drawing Sheets**

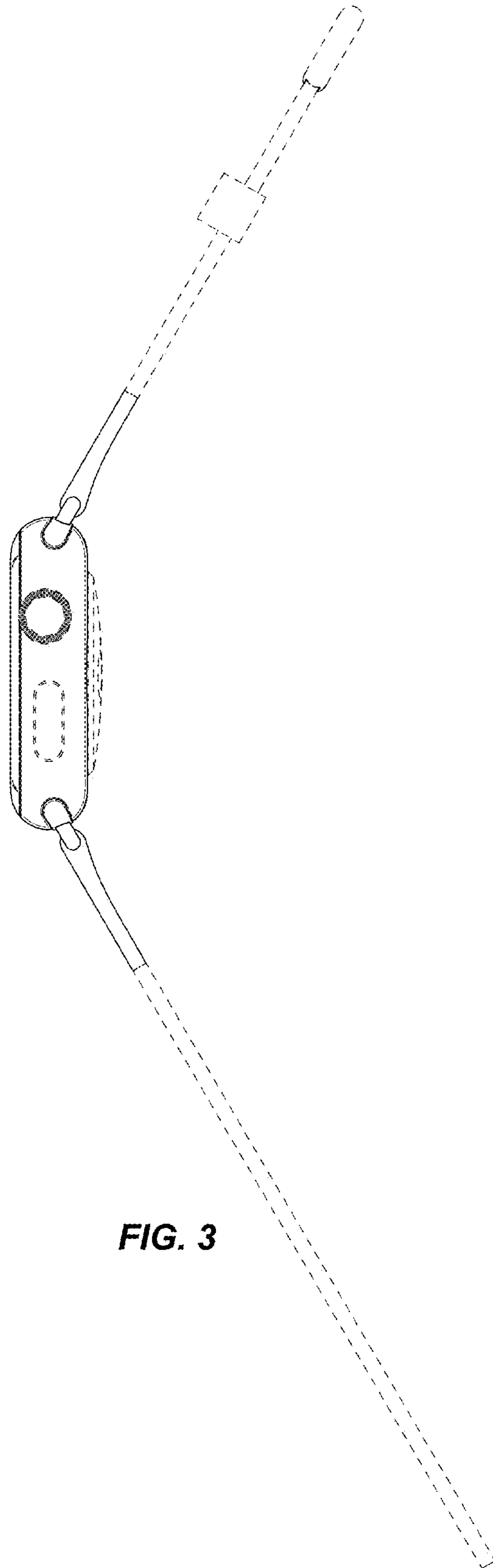


**FIG. 1**

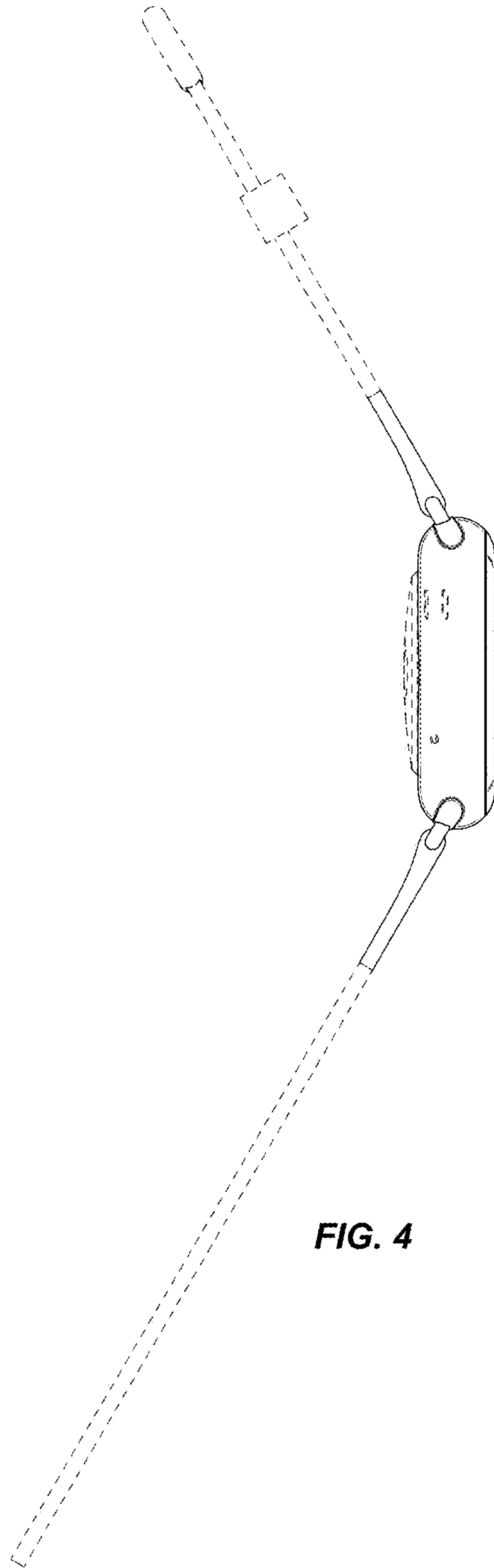


**FIG. 2**

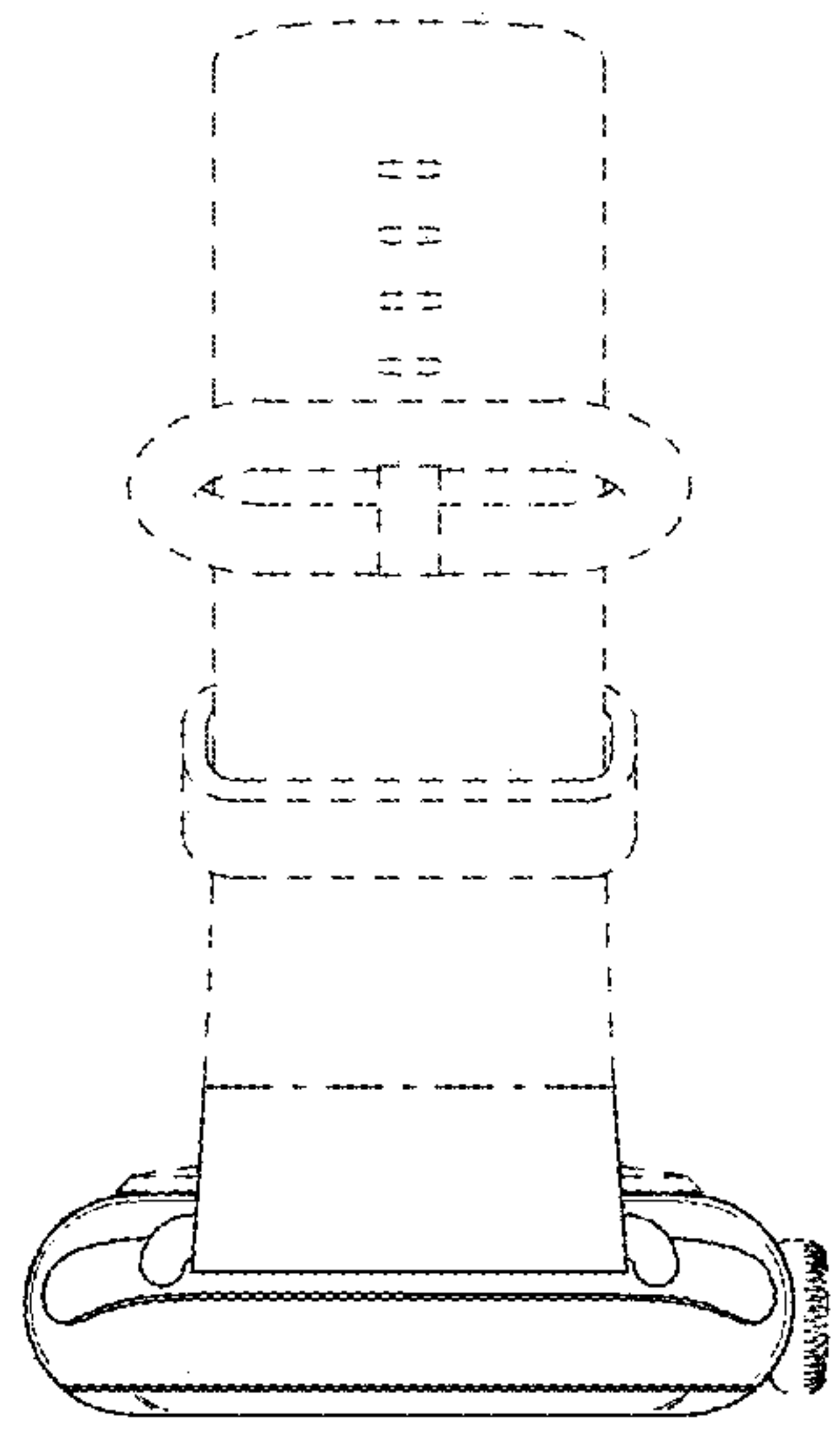




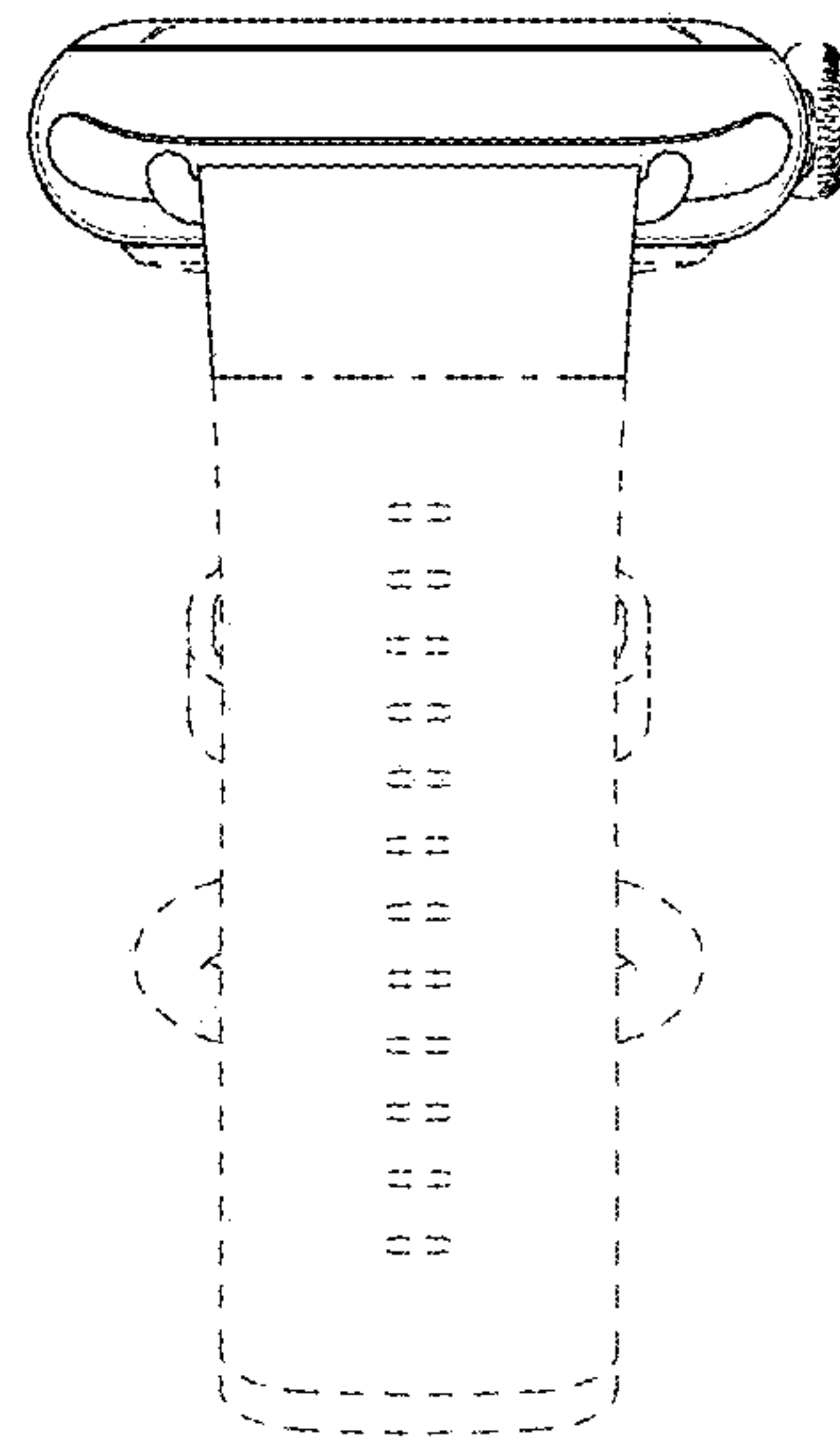
**FIG. 3**



**FIG. 4**



**FIG. 5**



**FIG. 6**