



US00D883975S

(12) **United States Design Patent** (10) **Patent No.:** **US D883,975 S**
Munro et al. (45) **Date of Patent:** **** May 12, 2020**

(54) **TERMINAL**

(71) Applicant: **NCR Corporation**, Atlanta, GA (US)

(72) Inventors: **Marshall Munro**, Scotland (GB);
Philip N. Day, Scotland (GB); **Stephen W. Swaine**, Scotland (GB); **Elina Jokisuu**, Scotland (GB)

(73) Assignee: **NCR Corporation**, Atlanta, GA (US)

(**) Term: **15 Years**

(21) Appl. No.: **29/660,426**

(22) Filed: **Aug. 21, 2018**

(51) **LOC (12) Cl.** **14-02**

(52) **U.S. Cl.**
USPC **D14/307**

(58) **Field of Classification Search**
USPC D14/302-307, 900-902; D13/163;
D20/10; D21/332, 325, 369, 370;
D99/28; D6/397, 466; 194/206;
361/679.01, 679.02, 679.04, 679.21,
361/679.57, 725
CPC G06Q 20/18; G06Q 20/10; G06Q 20/123;
G06Q 20/20; G06Q 30/02; G06Q 30/06;
A47F 9/047

See application file for complete search history.

(56) **References Cited**

U.S. PATENT DOCUMENTS

D707,676 S * 6/2014 Azuma D14/307
D721,695 S * 1/2015 Birgeoglu D14/307

D734,314 S * 7/2015 Swaine D14/307
D763,247 S * 8/2016 Yopez D14/307
D828,831 S * 9/2018 Ragland D14/307
D831,639 S * 10/2018 Terry D14/307
D848,414 S * 5/2019 Gardens D14/307
D850,438 S * 6/2019 Koenigsknecht D14/307
D857,007 S * 8/2019 Pitallano D14/307
D861,778 S * 10/2019 Day D18/4.4

* cited by examiner

Primary Examiner — Austin Murphy

(74) *Attorney, Agent, or Firm* — Schwegman, Lundberg & Woessner

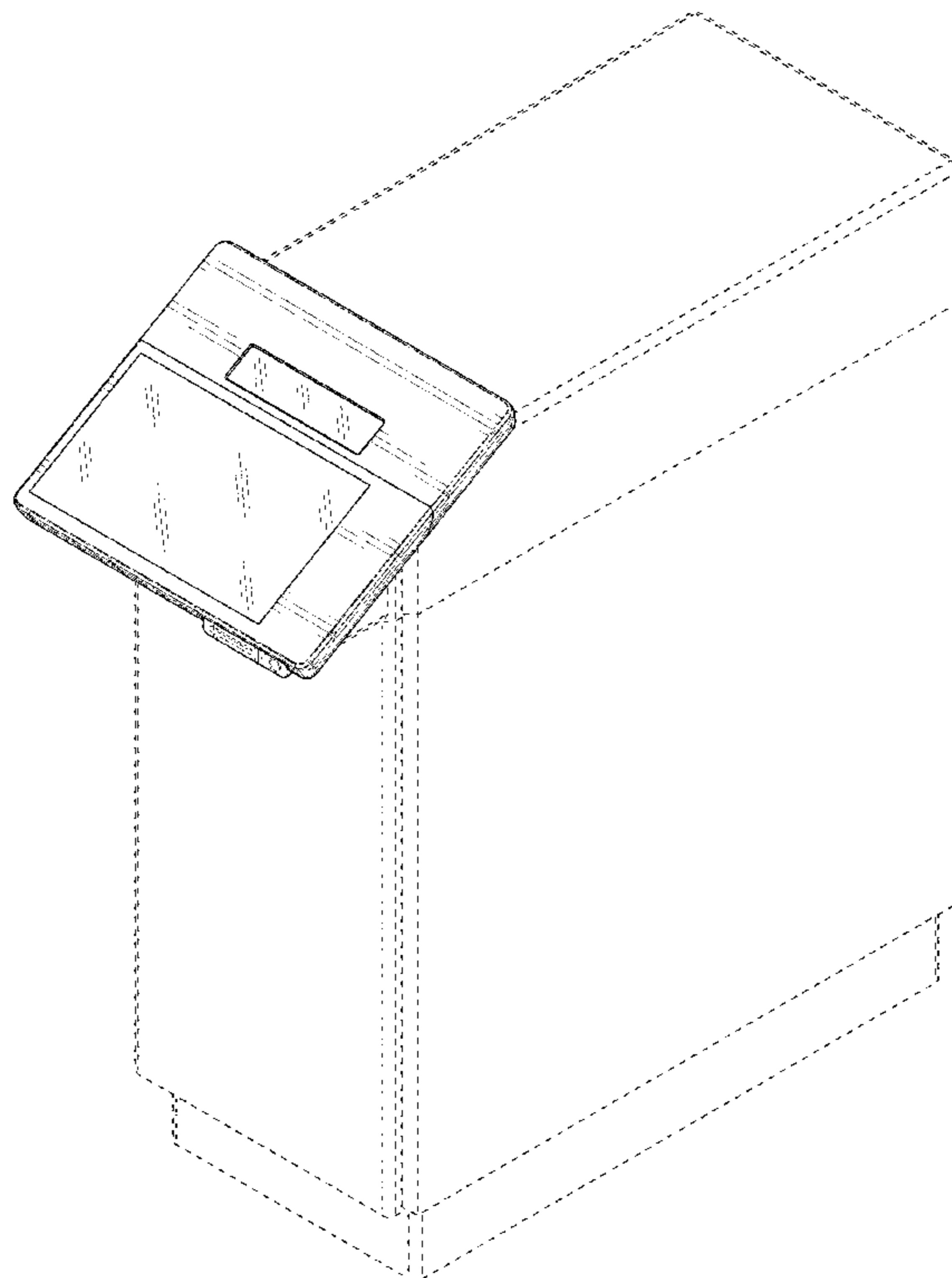
(57) **CLAIM**

The ornamental design for a terminal, as shown and described.

DESCRIPTION

FIG. 1 is a front perspective view of a terminal showing our new design;
FIG. 2 is a right side view thereof;
FIG. 3 is a left side view thereof;
FIG. 4 is a front view thereof;
FIG. 5 is a rear view thereof;
FIG. 6 is a top view thereof; and,
FIG. 7 is a bottom view thereof.

1 Claim, 7 Drawing Sheets



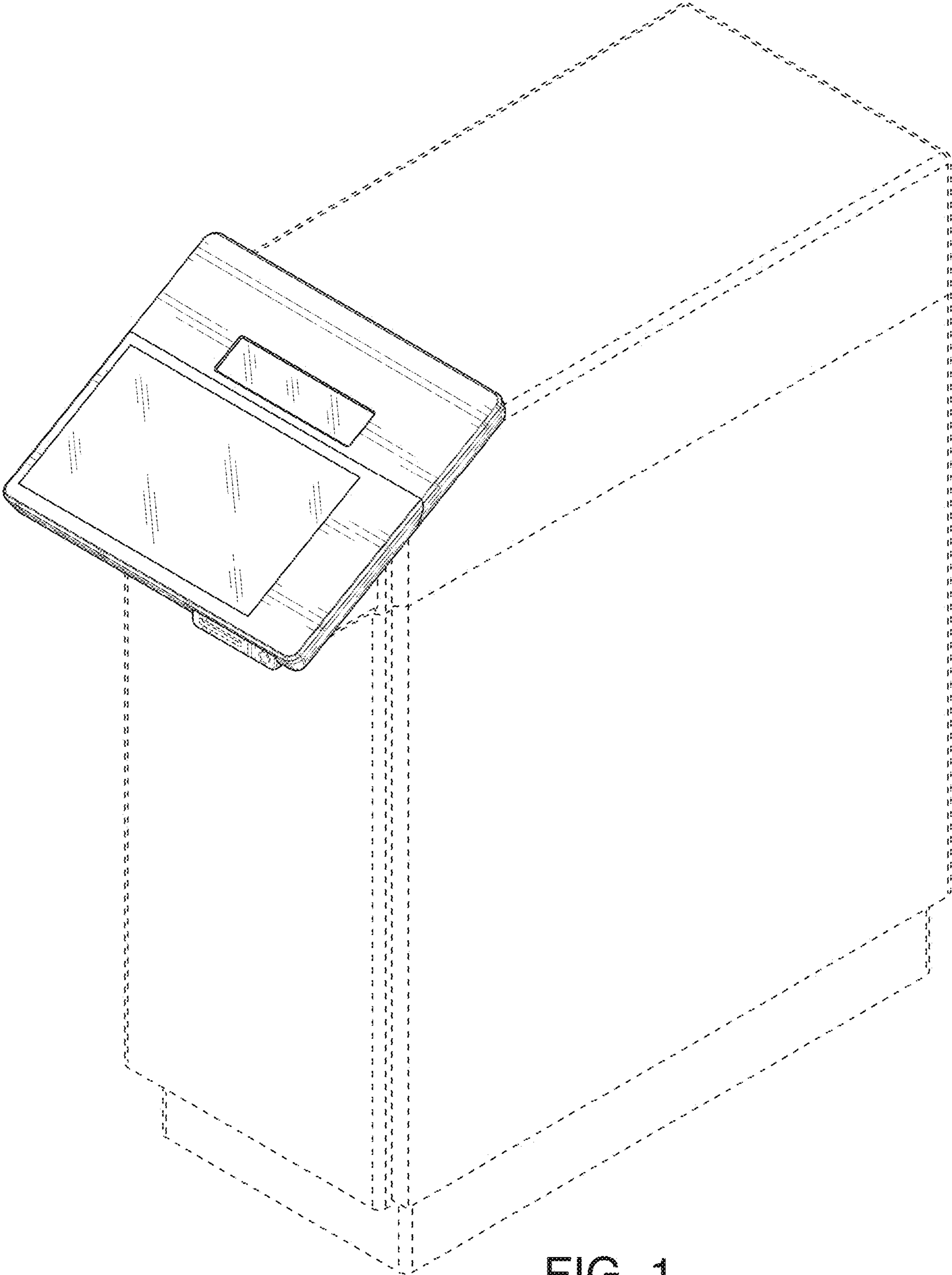


FIG. 1

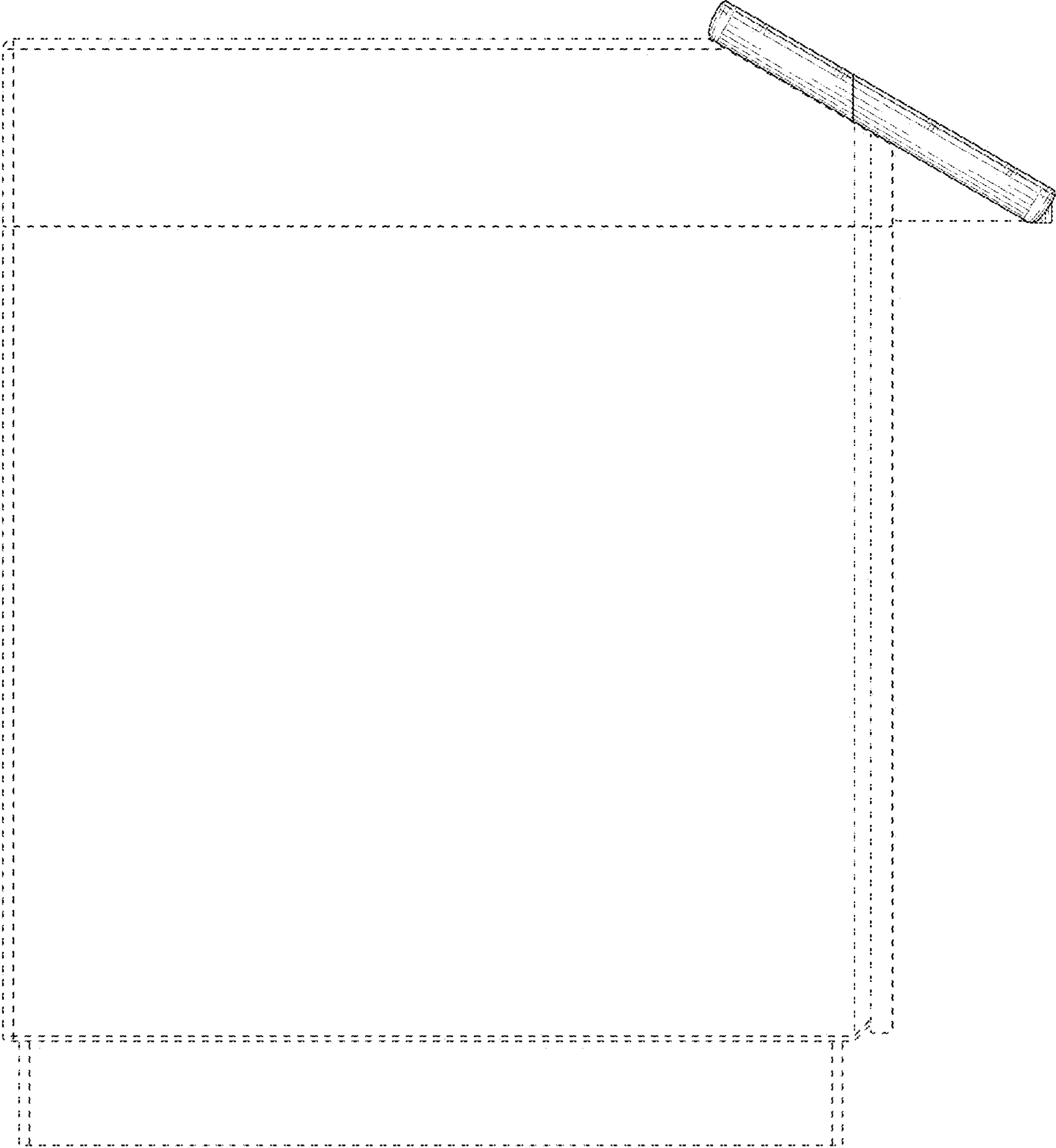


FIG. 2

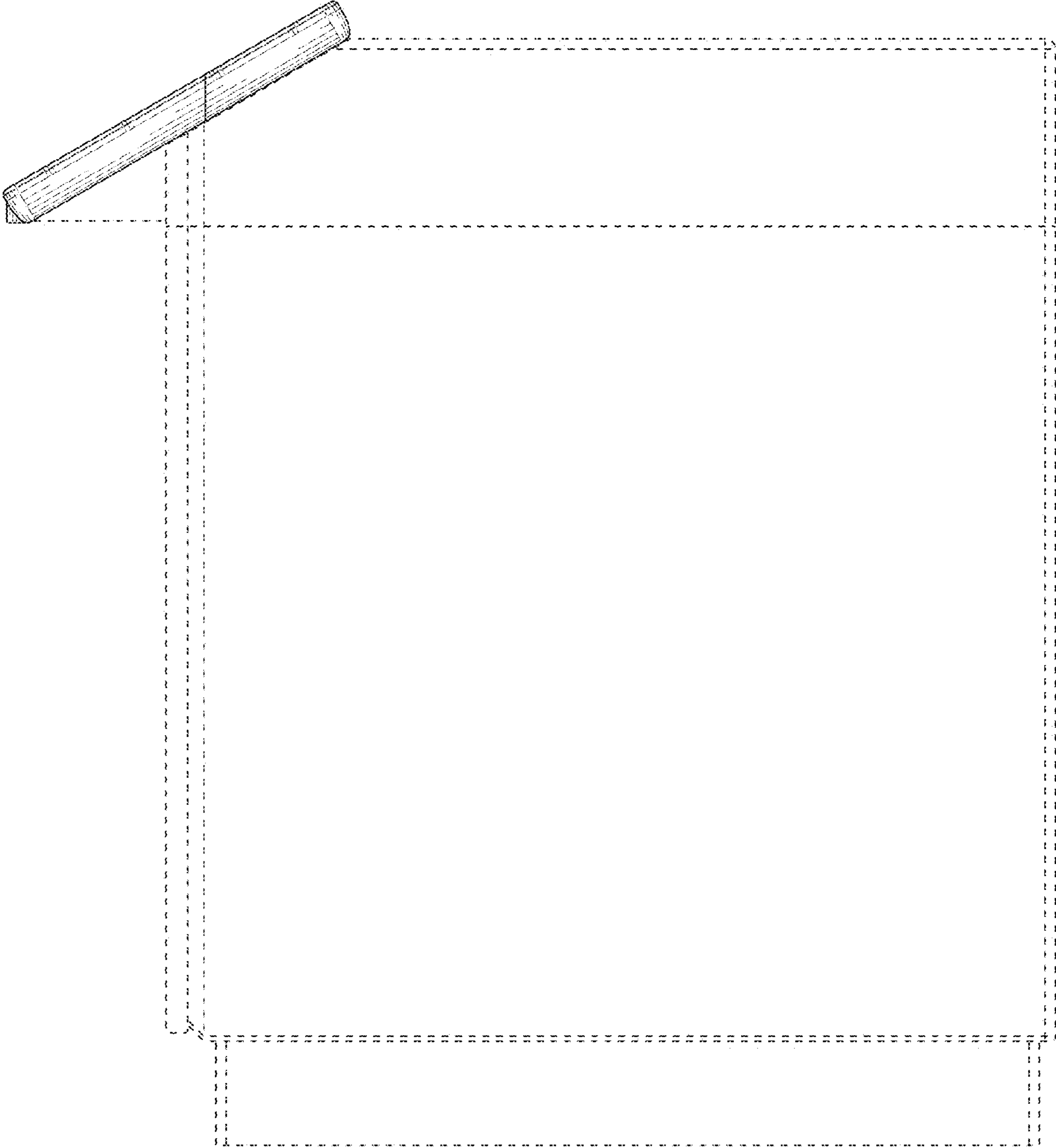


FIG. 3

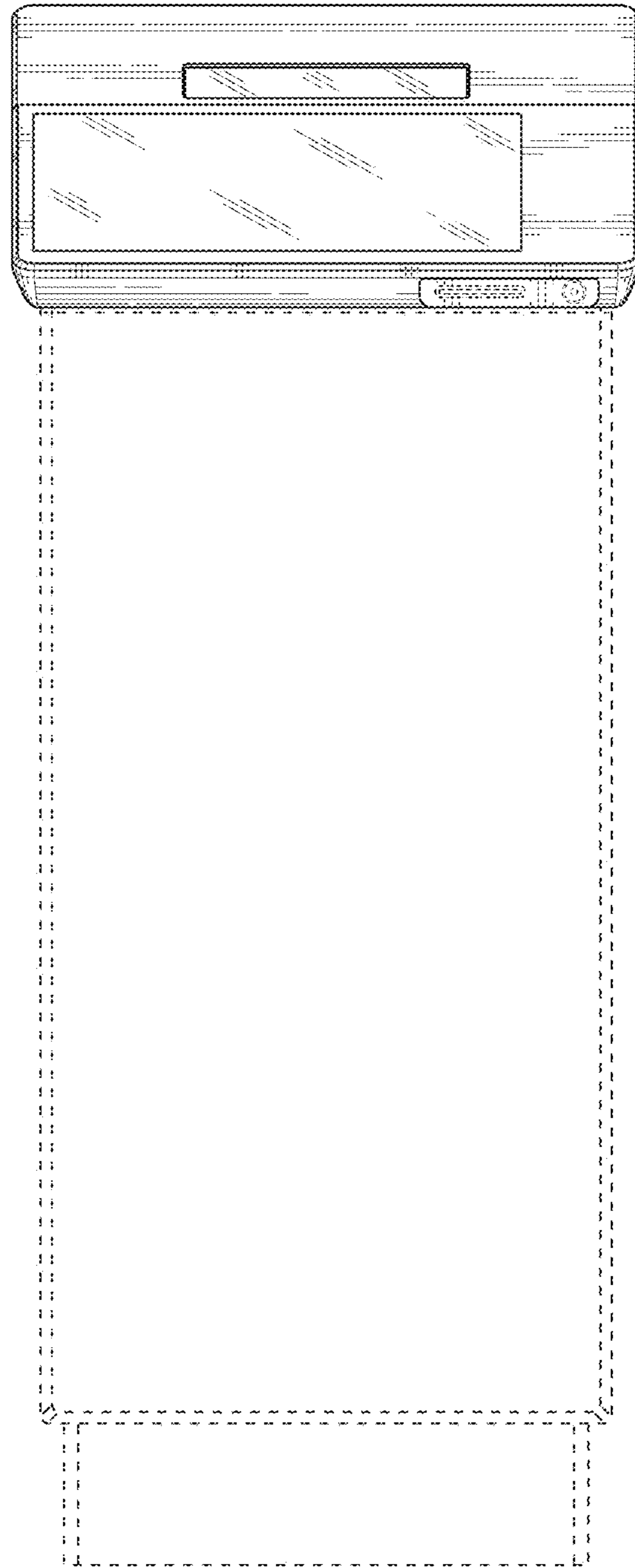


FIG. 4

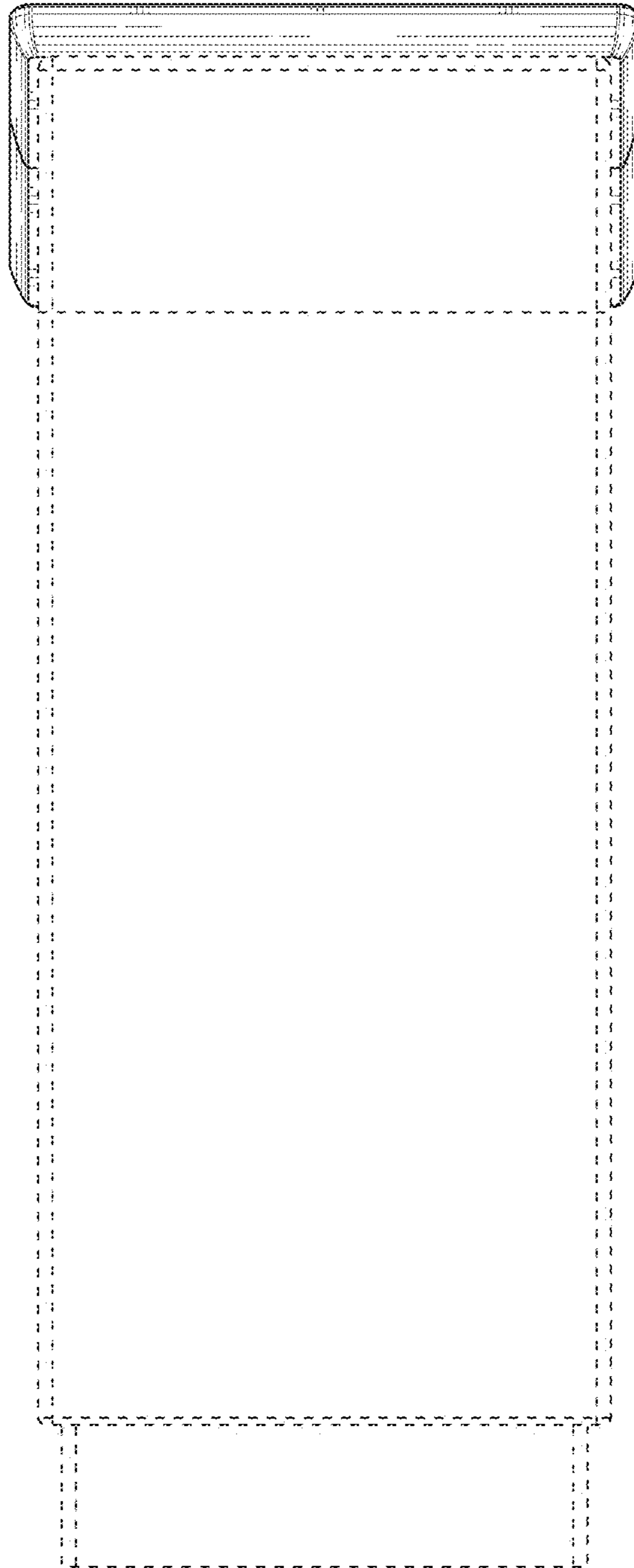


FIG. 5

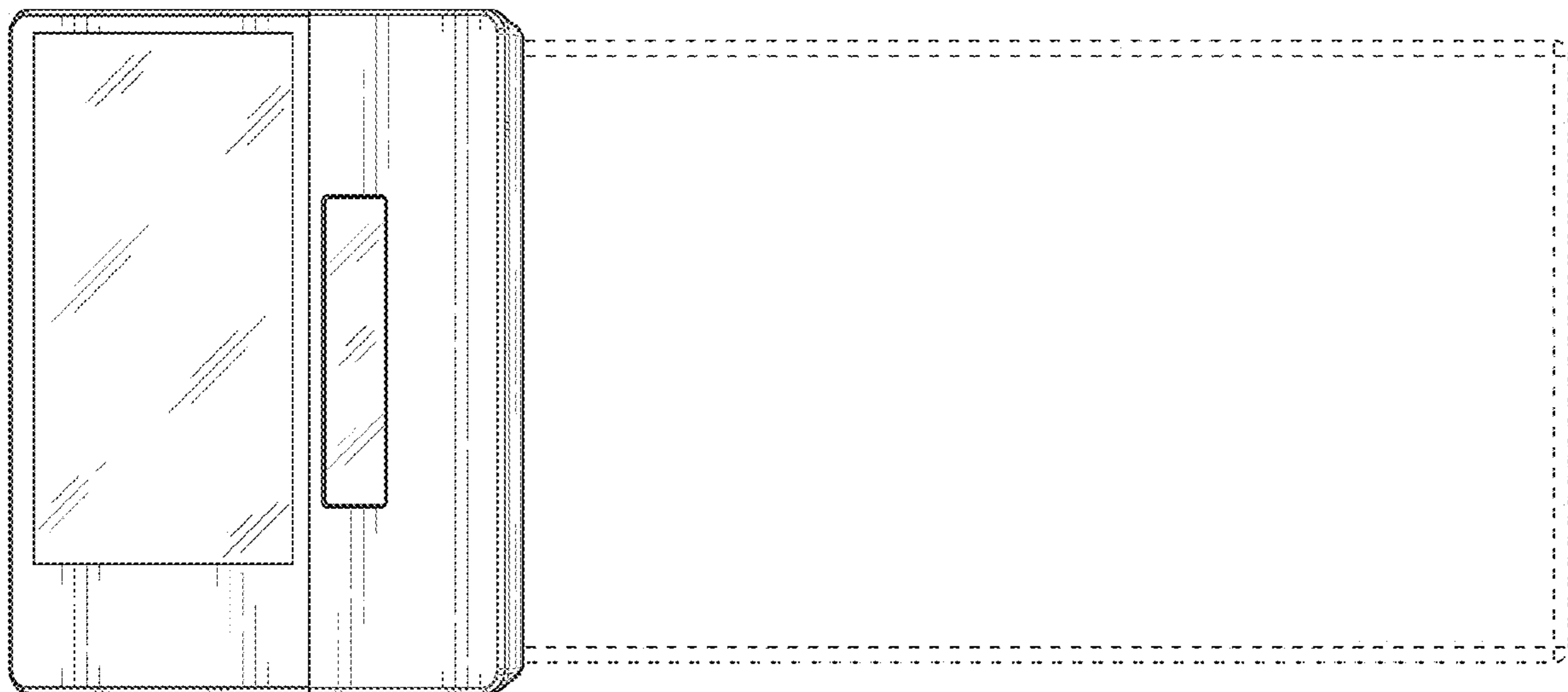


FIG. 6

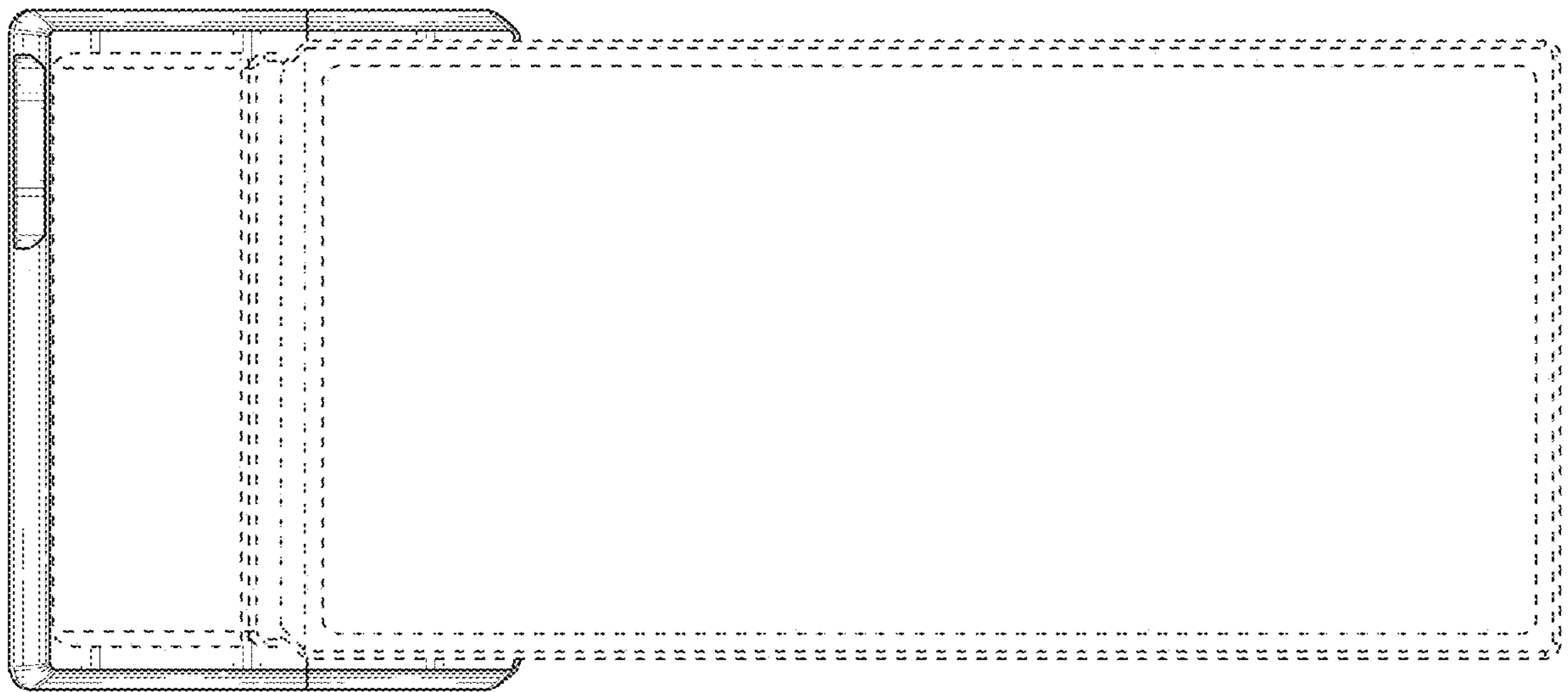


FIG. 7