



US00D883973S

(12) **United States Design Patent**
Lu

(10) **Patent No.:** **US D883,973 S**

(45) **Date of Patent:** **** May 12, 2020**

(54) **COMBINED MOBILEPHONE CASE AND CARD CASE**

(71) Applicant: **Shenzhen Cainiao Leather Products Co., Ltd.**, Shenzhen, Guangdong (CN)

(72) Inventor: **Shaofeng Lu**, Guangdong (CN)

(**) Term: **15 Years**

(21) Appl. No.: **29/711,286**

(22) Filed: **Oct. 30, 2019**

(51) **LOC (12) Cl.** **14-03**

(52) **U.S. Cl.**
USPC **D14/250**

(58) **Field of Classification Search**
USPC D14/250; D3/247, 249–253
CPC A45C 1/06; A45C 3/08
See application file for complete search history.

(56) **References Cited**

U.S. PATENT DOCUMENTS

D312,351 S	*	11/1990	Bishop	D3/251
D750,888 S	*	3/2016	Johnson	D3/249
D760,708 S		7/2016	Hirst		
D793,082 S	*	8/2017	Zhang	D3/249
D793,725 S	*	8/2017	Zhang	D3/249
D814,185 S	*	4/2018	Liu	D3/249

D842,289 S * 3/2019 Feng D14/250

* cited by examiner

Primary Examiner — Holly H Baynham

(74) *Attorney, Agent, or Firm* — ZANIP

(57) **CLAIM**

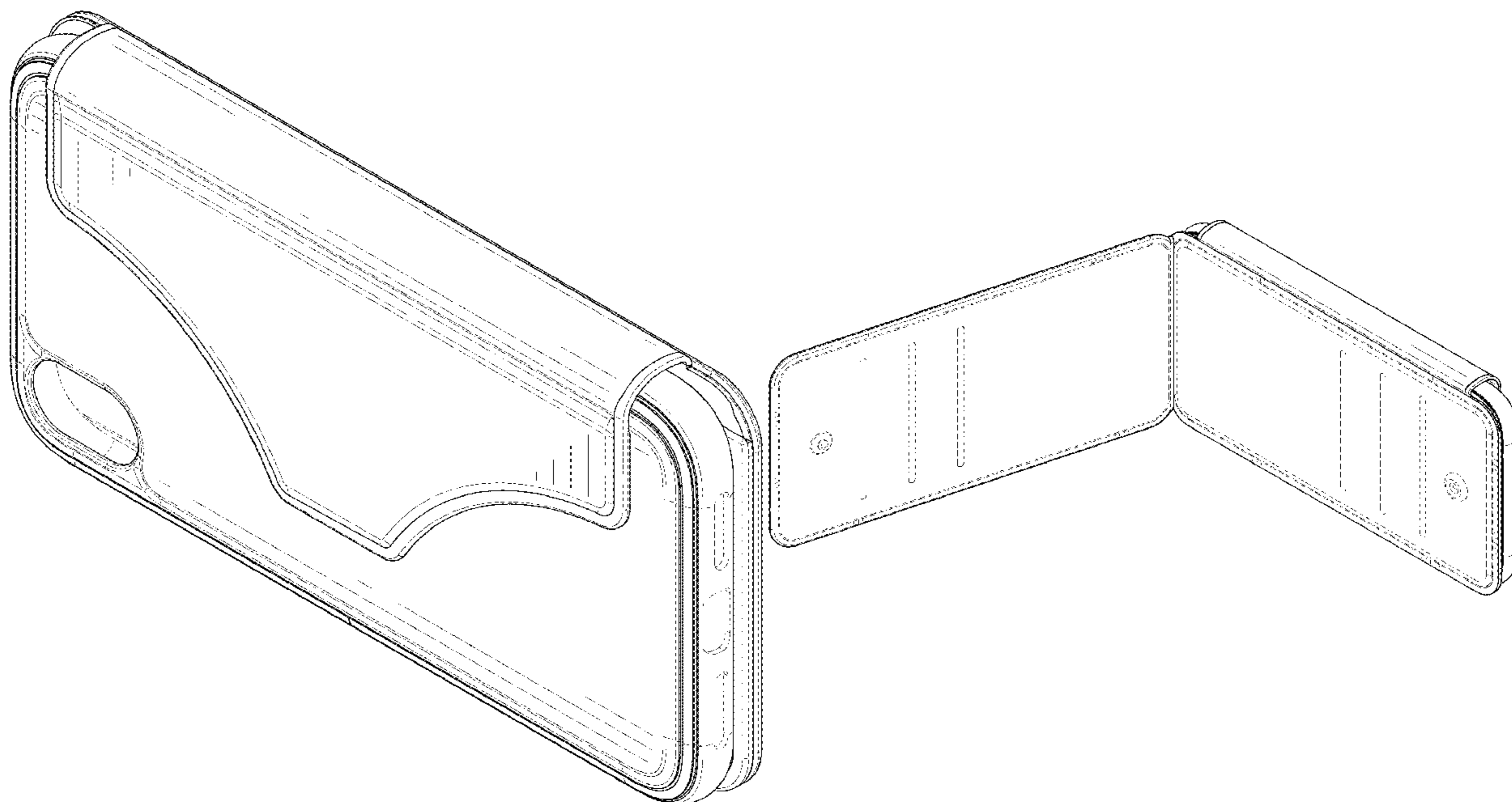
The ornamental design for a combined mobilephone case and card case, as shown and described.

DESCRIPTION

FIG. 1 is a front and top perspective view of a combined mobilephone case and card case, showing my new design; FIG. 2 is a rear and bottom perspective view thereof; FIG. 3 is a front elevational view thereof; FIG. 4 is a rear elevational view thereof; FIG. 5 is a left side elevational view thereof; FIG. 6 is a right side elevational view thereof; FIG. 7 is a top plan view thereof; FIG. 8 is a bottom plan view thereof; FIG. 9 is a perspective view thereof, showing the card case in an unfolded position; and, FIG. 10 is a perspective view thereof, showing the mobilephone case in an unfolded position.

The broken lines in the figures illustrate portions of the combined mobilephone case and card case that form no part of the claimed design.

1 Claim, 10 Drawing Sheets



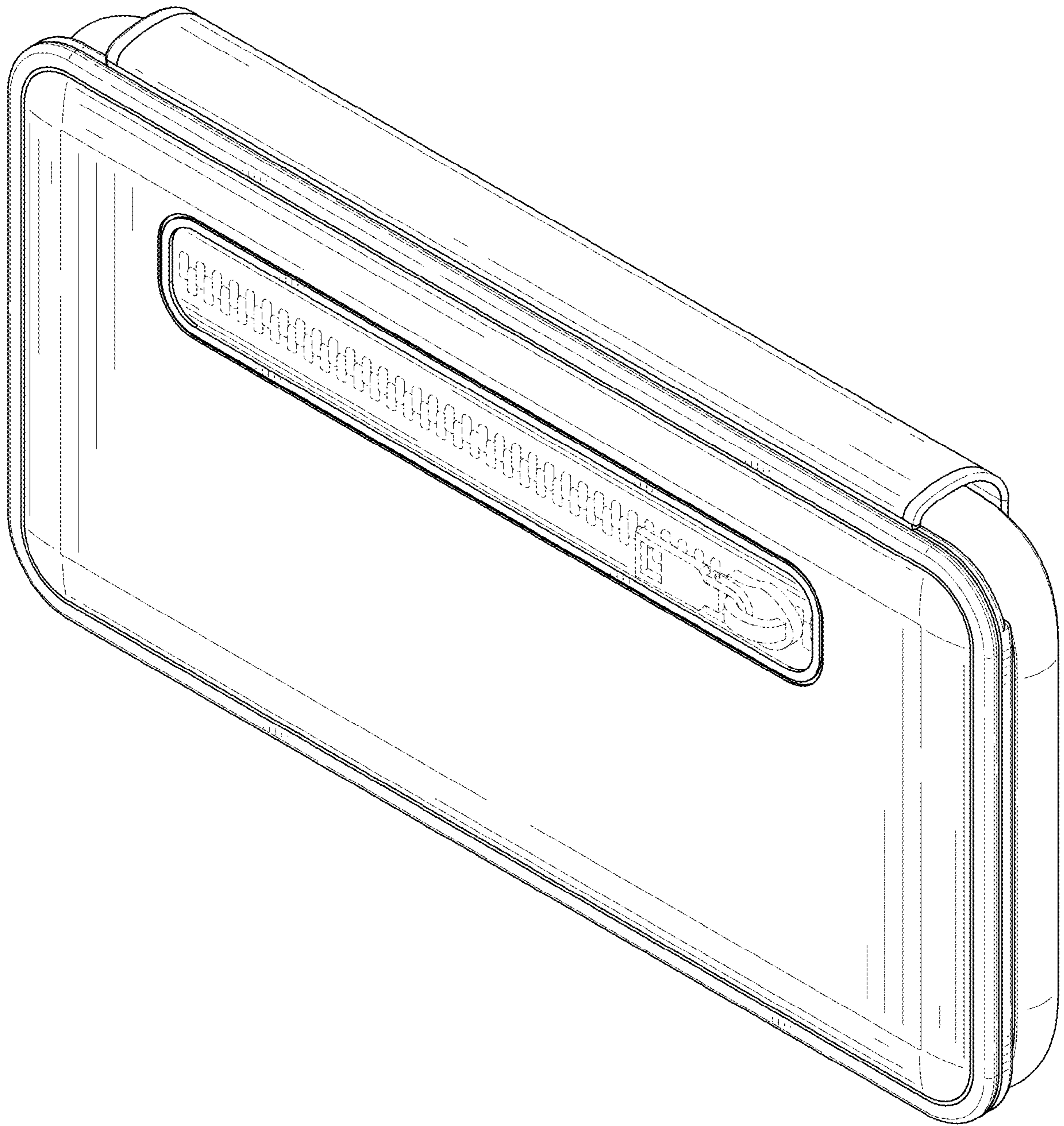


FIG. 1

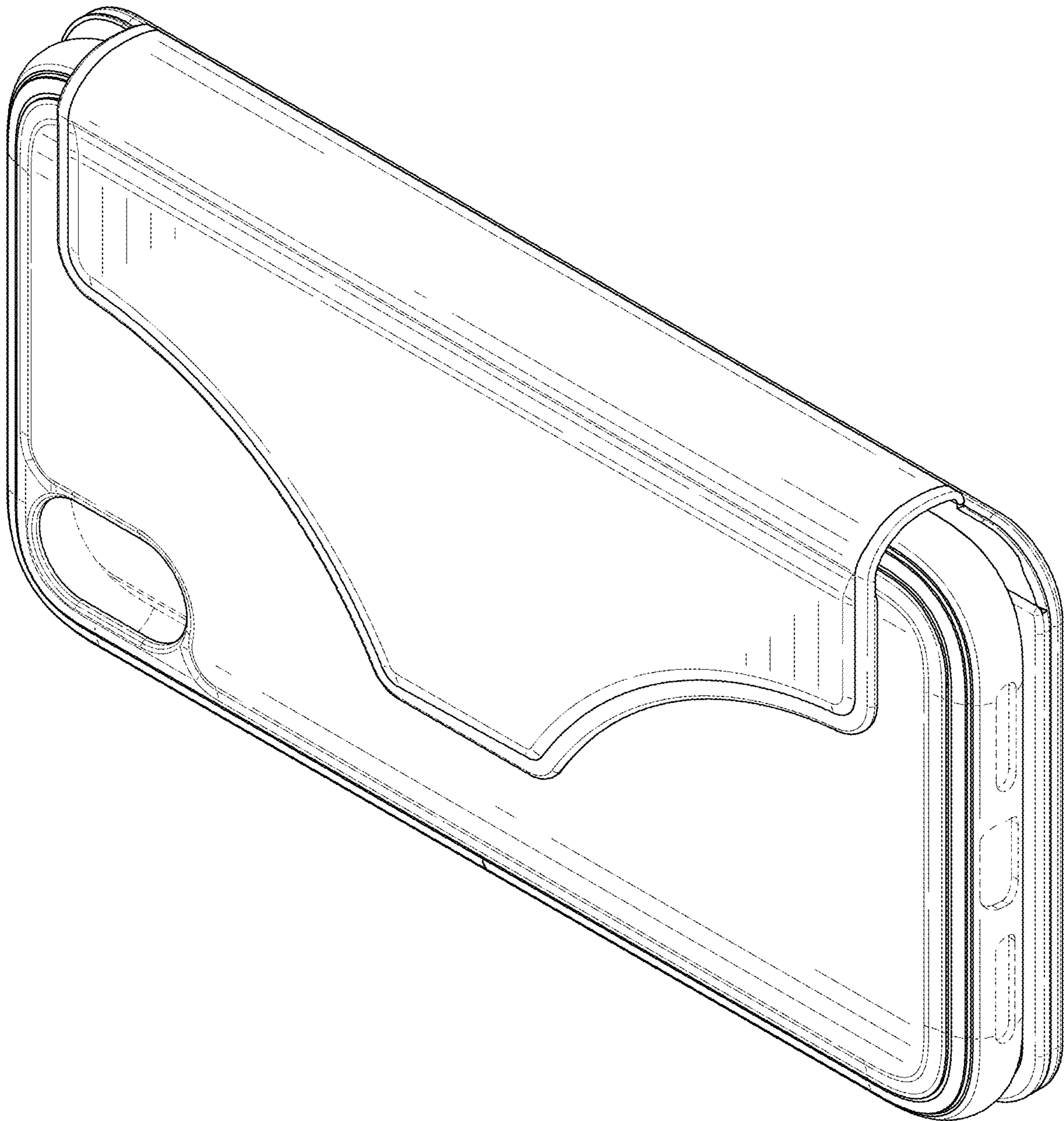


FIG. 2

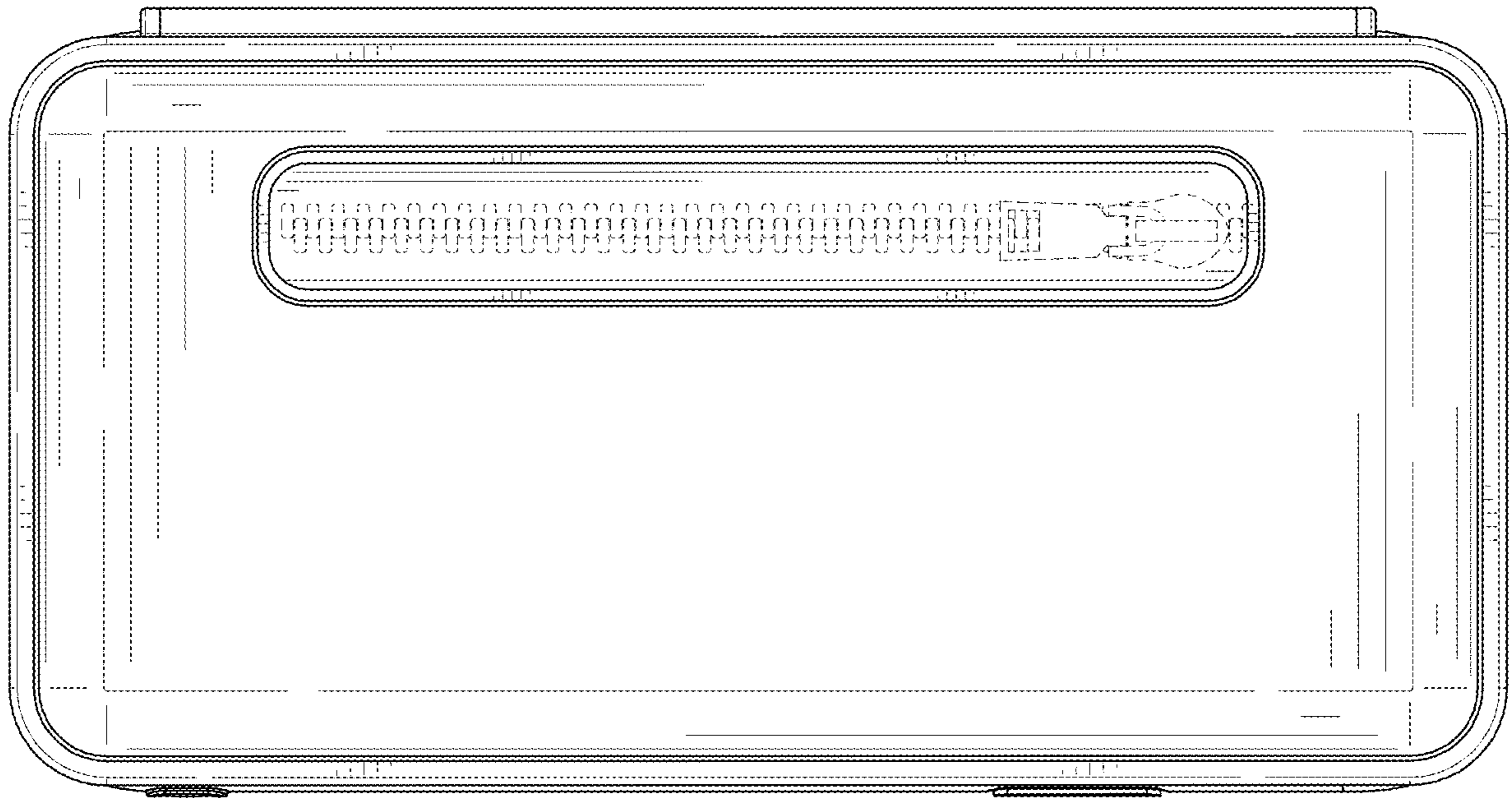


FIG. 3

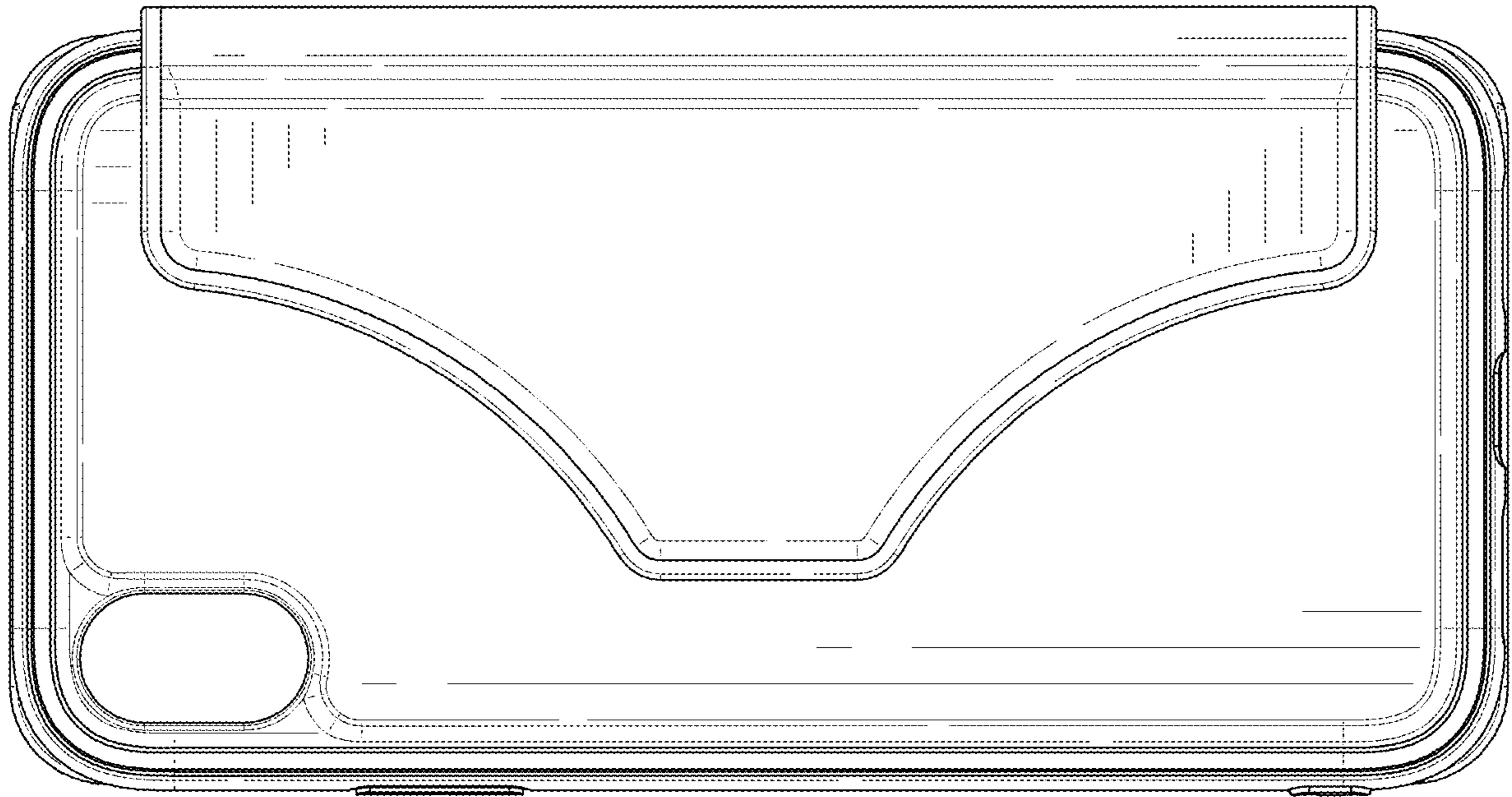


FIG. 4

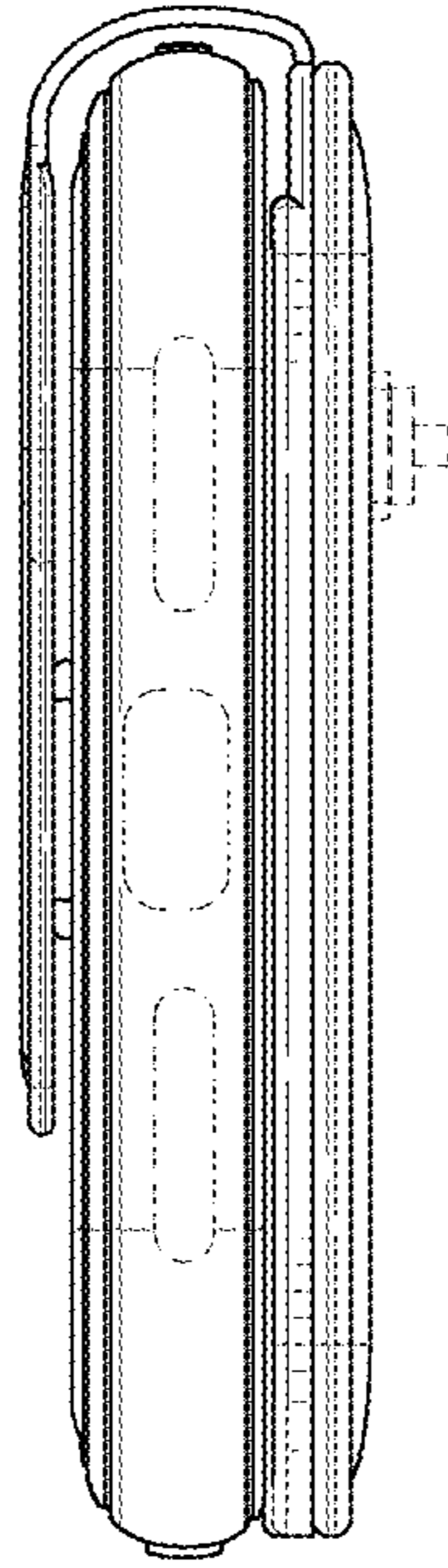


FIG. 5

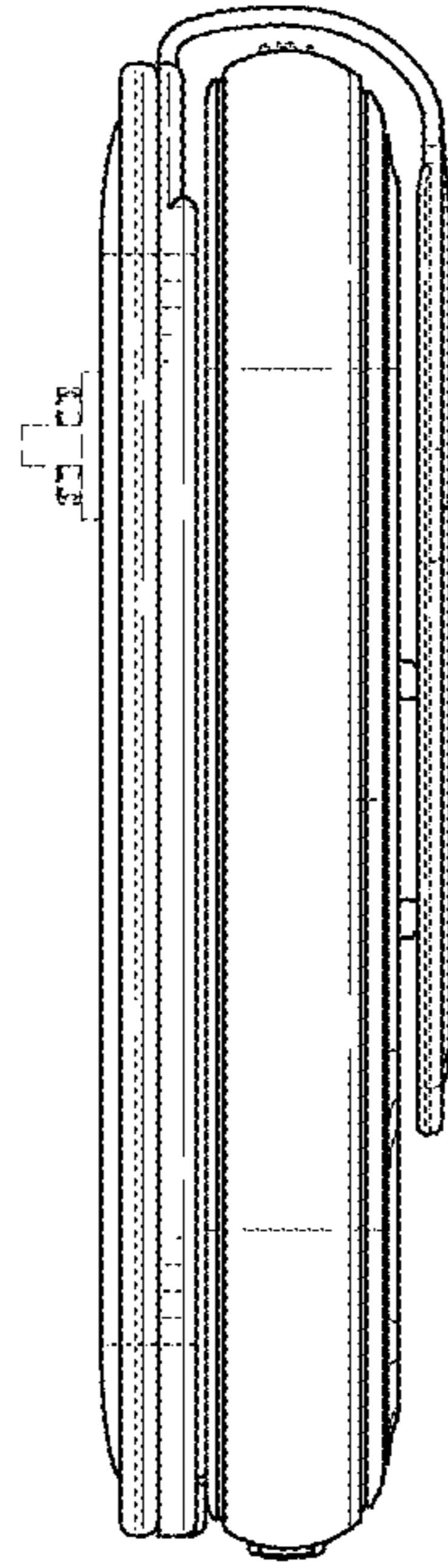


FIG. 6

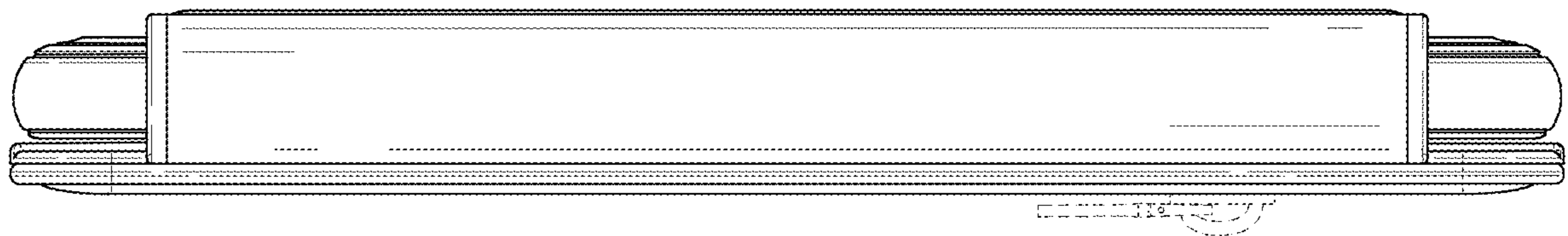


FIG. 7

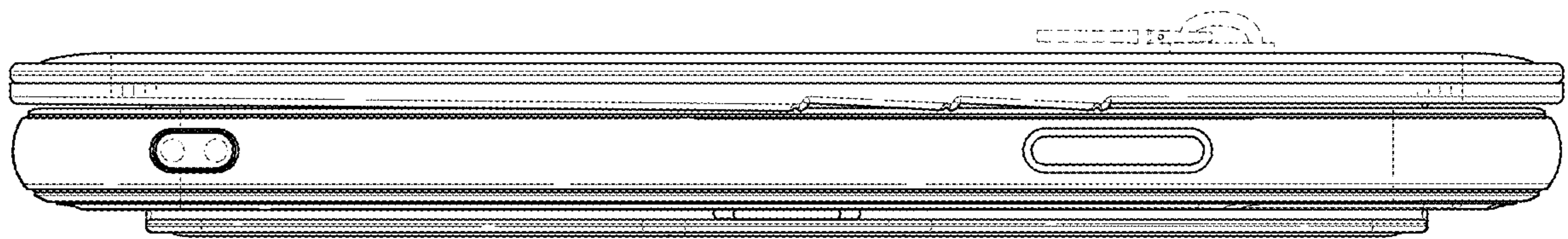


FIG. 8

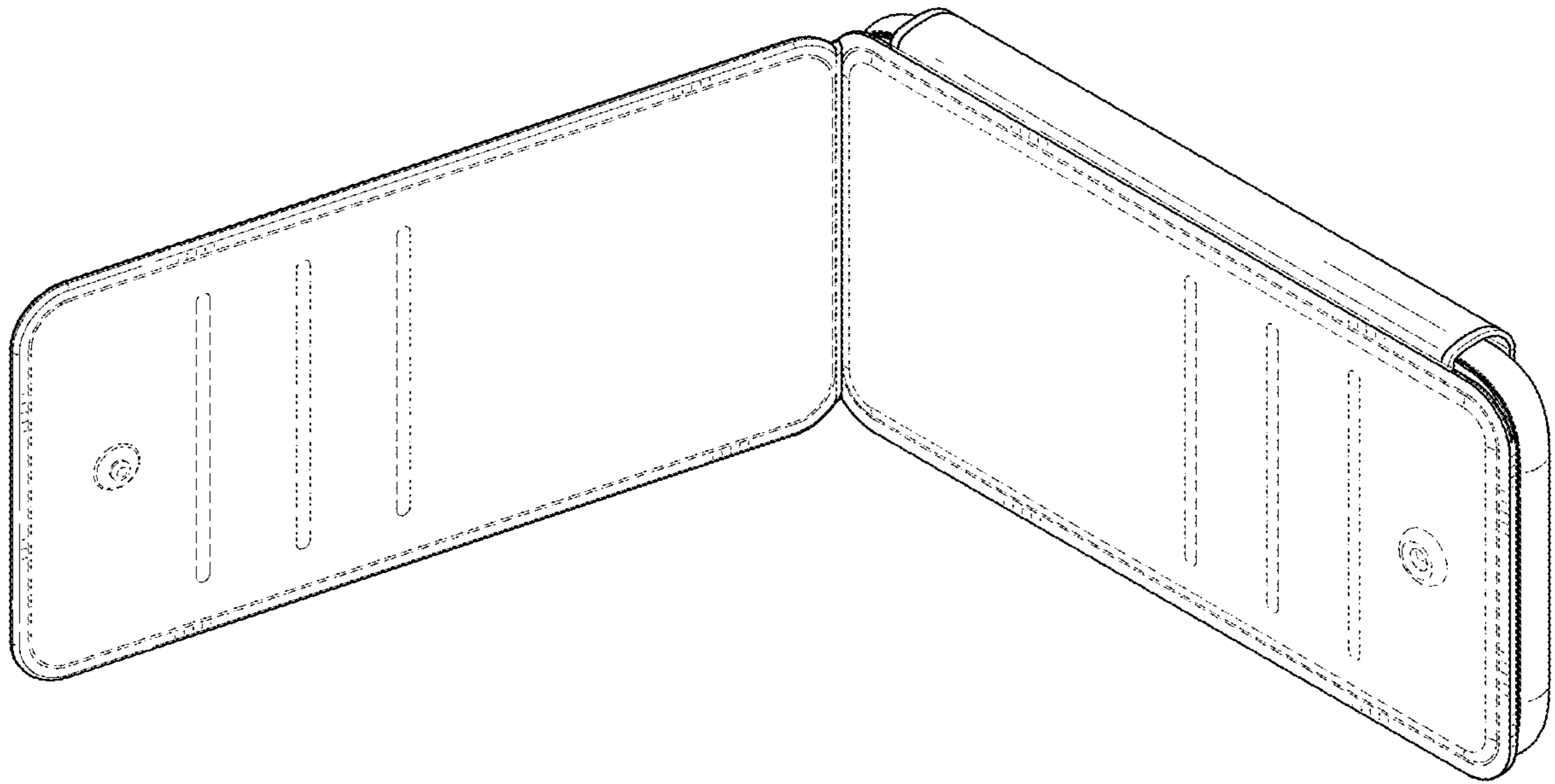


FIG. 9

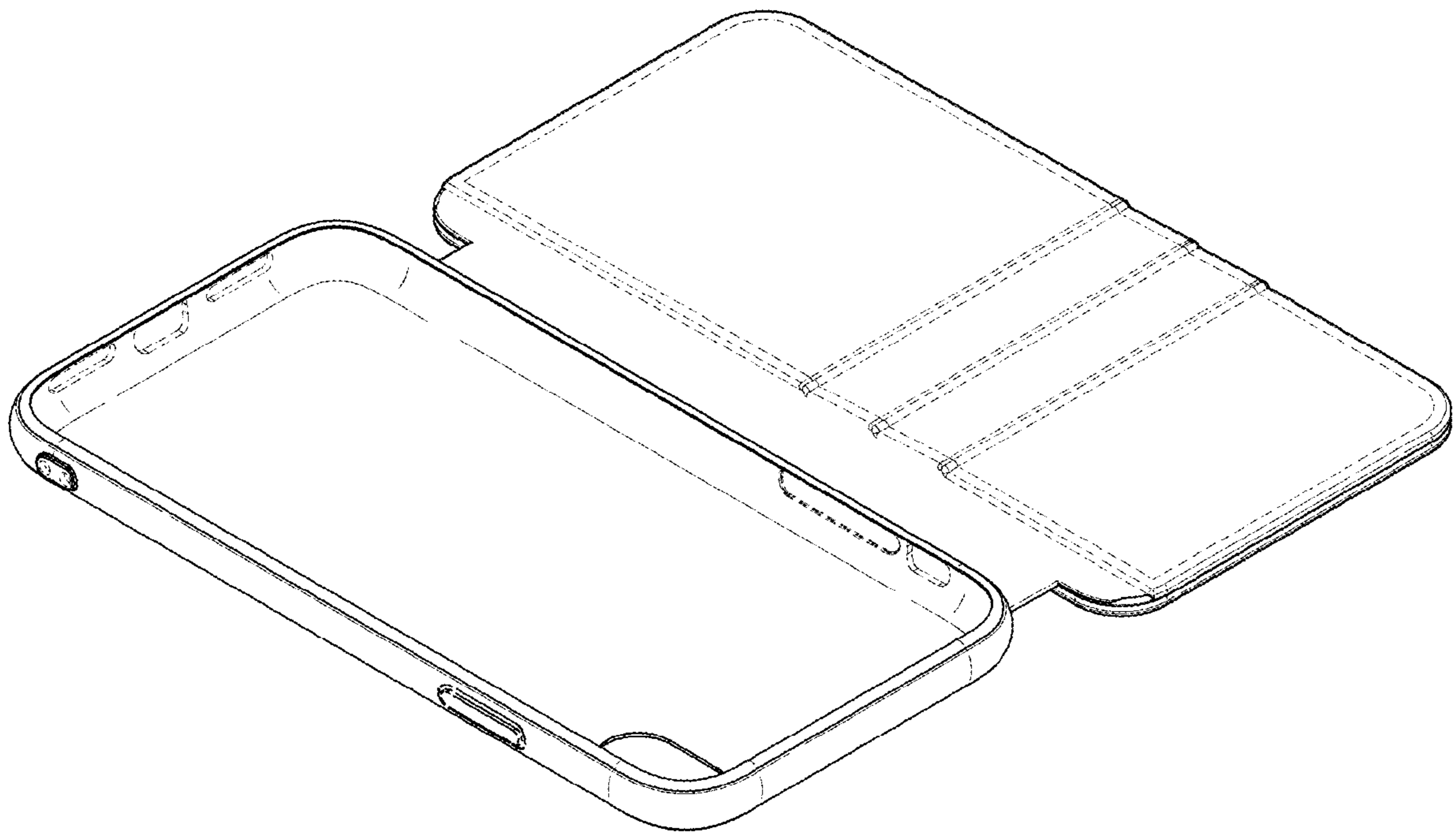


FIG. 10