



US00D883967S

(12) **United States Design Patent**
Huang et al.

(10) **Patent No.:** **US D883,967 S**

(45) **Date of Patent:** **** May 12, 2020**

(54) **EXTENSION MODULE**

(71) Applicant: **Wistron NeWeb Corp.**, Hsinchu (TW)

(72) Inventors: **Bau-Yi Huang**, Hsinchu (TW);
Chin-Wei Chen, Hsinchu (TW)

(73) Assignee: **WISTRON NEWEB CORP.**, Hsinchu (TW)

(**) Term: **15 Years**

(21) Appl. No.: **29/677,249**

(22) Filed: **Jan. 18, 2019**

(51) **LOC (12) Cl.** **14-03**

(52) **U.S. Cl.**

USPC **D14/240**; D14/358

(58) **Field of Classification Search**

USPC ... D14/140.1, 240, 242, 358, 125, 129, 130,
D14/140, 142, 155, 167, 168, 172, 188,
D14/195, 203.1, 203.6, 299, 496, 348,
D14/351, 356, 357, 197, 198, 230, 104.6,
D14/434, 447, 217, 216; D13/123, 152,
D13/158, 162, 162.1, 163, 168, 184, 199,
D13/107, 108; D10/104.1, 106.1, 106.6,
D10/116.1, 61, 64, 75, 106.9

CPC ... H04W 88/00; H04W 88/005; H04W 88/02;
H04W 88/08; H04W 88/085; H04W
88/12; H04W 88/14; H04W 88/16; H04W
88/18; H04W 4/00; H01Q 1/02; H01Q
1/2291; H01Q 1/246; H04B 1/38; G06F
1/1632

See application file for complete search history.

(56) **References Cited**

U.S. PATENT DOCUMENTS

D305,027 S * 12/1989 Catey D14/249
D453,329 S * 2/2002 Muramatsu D14/230
D464,347 S * 10/2002 Floyd D14/356
D466,112 S * 11/2002 Suzuki D14/240

(Continued)

OTHER PUBLICATIONS

Transmitting radio signals device and Enlargement module. (Design—© Questel) orbit.com. [online PDF] 27 pgs. Print Dates Range Oct. 1, 2019 through Nov. 5, 2019. [retrieved Mar. 16, 2020] <https://www.orbit.com/export/QPTUJ214/pdf2/90998885-2df7-47ab-99e4-7179c748307c-165559.pdf>.*

Primary Examiner — Marie D. Fast Horse

(74) *Attorney, Agent, or Firm* — McClure, Qualey & Rodack, LLP

(57) **CLAIM**

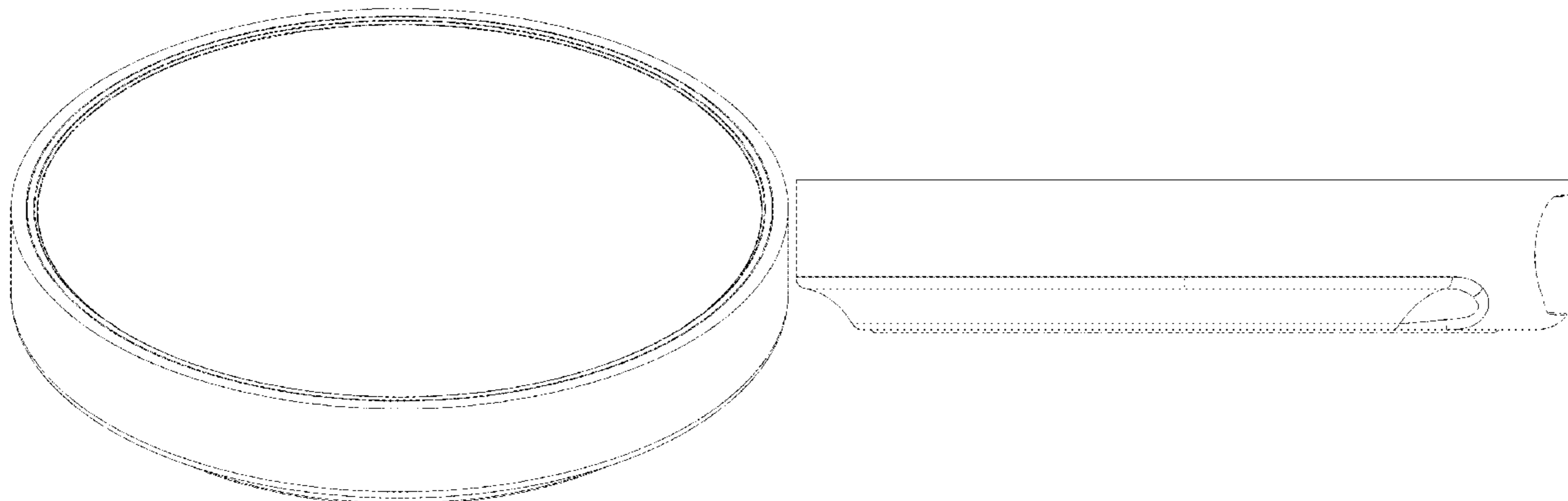
The ornamental design for an extension module, as shown and described.

DESCRIPTION

FIG. 1 is a front perspective view of an extension module in accordance with our new design;
FIG. 2 is a rear perspective view thereof;
FIG. 3 is a front view thereof;
FIG. 4 is a rear view thereof;
FIG. 5 is a left view thereof;
FIG. 6 is a right view thereof;
FIG. 7 is a top plan view thereof;
FIG. 8 is a bottom plan view thereof;
FIG. 9 is another front perspective view showing the extension module of FIG. 1 in a position of use assembled with a wireless signal transmission device;
FIG. 10 is a rear perspective view thereof;
FIG. 11 is a front view thereof;
FIG. 12 is a rear view thereof;
FIG. 13 is a left view thereof;
FIG. 14 is a right view thereof;
FIG. 15 is a top view thereof; and,
FIG. 16 is a bottom view thereof.

The additional broken line subject matter showing the wireless signal transmission device in FIGS. 9-16 depict environment only and form no part of the claim, while all other broken lines depict portions of the extension module that form no part of the claimed design.

1 Claim, 16 Drawing Sheets



(56)

References Cited

U.S. PATENT DOCUMENTS

D496,038 S *	9/2004	Floyd	D14/356	D790,549 S *	6/2017	Akana	D14/439
D581,927 S *	12/2008	Sumii	D14/356	D794,557 S *	8/2017	Kim	D13/108
D590,391 S *	4/2009	Sumii	D14/356	D796,433 S *	9/2017	Langhammer	D13/108
D598,018 S *	8/2009	Sumii	D14/301	D810,015 S *	2/2018	Carreon	D13/108
D654,431 S *	2/2012	Stephanchick	D13/108	D814,436 S *	4/2018	Wen	D14/150
D659,093 S *	5/2012	Schmid	D13/108	D815,149 S *	4/2018	Langhammer	D14/496
D717,244 S *	11/2014	Reishus	D13/108	D817,268 S *	5/2018	Symons	D13/108
D718,233 S *	11/2014	Aumiller	D13/108	D820,802 S *	6/2018	Hamann	D14/149
D718,234 S *	11/2014	Rautiainen	D13/108	D823,241 S *	7/2018	Zhang	D13/108
D718,712 S *	12/2014	Aumiller	D13/108	D826,205 S *	8/2018	Langhammer	D14/203.6
D720,289 S *	12/2014	Chiang	D13/108	D830,327 S *	10/2018	Jones	D14/155
D726,161 S *	4/2015	Howard	D14/218	D833,414 S *	11/2018	Brennan	D14/204
D727,260 S *	4/2015	Aumiller	D13/108	D836,086 S *	12/2018	Yu	D14/209.1
D738,823 S *	9/2015	Chen	D13/108	D838,257 S *	1/2019	Manz	D14/216
D740,750 S *	10/2015	Mayden	D13/108	D841,693 S *	2/2019	McWilliam	D14/496
D741,256 S *	10/2015	Murphy-Reinhertz	D13/108	D844,592 S *	4/2019	Huang	D14/240
D743,954 S *	11/2015	Chuang	D14/240	D853,960 S *	7/2019	Lei	D13/108
D747,267 S *	1/2016	Aumiller	D13/108	D855,564 S *	8/2019	Brennan	D13/108
D751,052 S *	3/2016	Jones	D14/203.6	D865,003 S *	10/2019	McWilliam	D14/496
D757,014 S *	5/2016	Hahn	D13/108	D866,520 S *	11/2019	Kim	D14/216
D765,618 S *	9/2016	Alves	D14/216	D866,521 S *	11/2019	Kim	D14/216
D769,836 S *	10/2016	Axelsson	D14/125	D870,664 S *	12/2019	Langhammer	D13/108
D771,142 S *	11/2016	Langhammer	D14/496	D870,665 S *	12/2019	Schubert	D13/108
D772,813 S *	11/2016	Wahl	D13/108	2016/0302320 A1 *	10/2016	Kim	G06F 1/183
D774,009 S *	12/2016	Hammarstedt	D14/125	2017/0187206 A1 *	6/2017	Lafountain	H02J 7/0045
D782,476 S *	3/2017	Yamazaki	D14/240	2017/0215004 A1 *	7/2017	Wengreen	H04R 3/00
D784,259 S *	4/2017	Huang	D13/108	2017/0332166 A1 *	11/2017	Kikuchi	H04R 1/24
				2018/0092230 A1 *	3/2018	Hsu	H01R 13/72
				2018/0205193 A1 *	7/2018	Wu	H01R 31/02
				2019/0273349 A1 *	9/2019	Wu	H01R 13/05

* cited by examiner

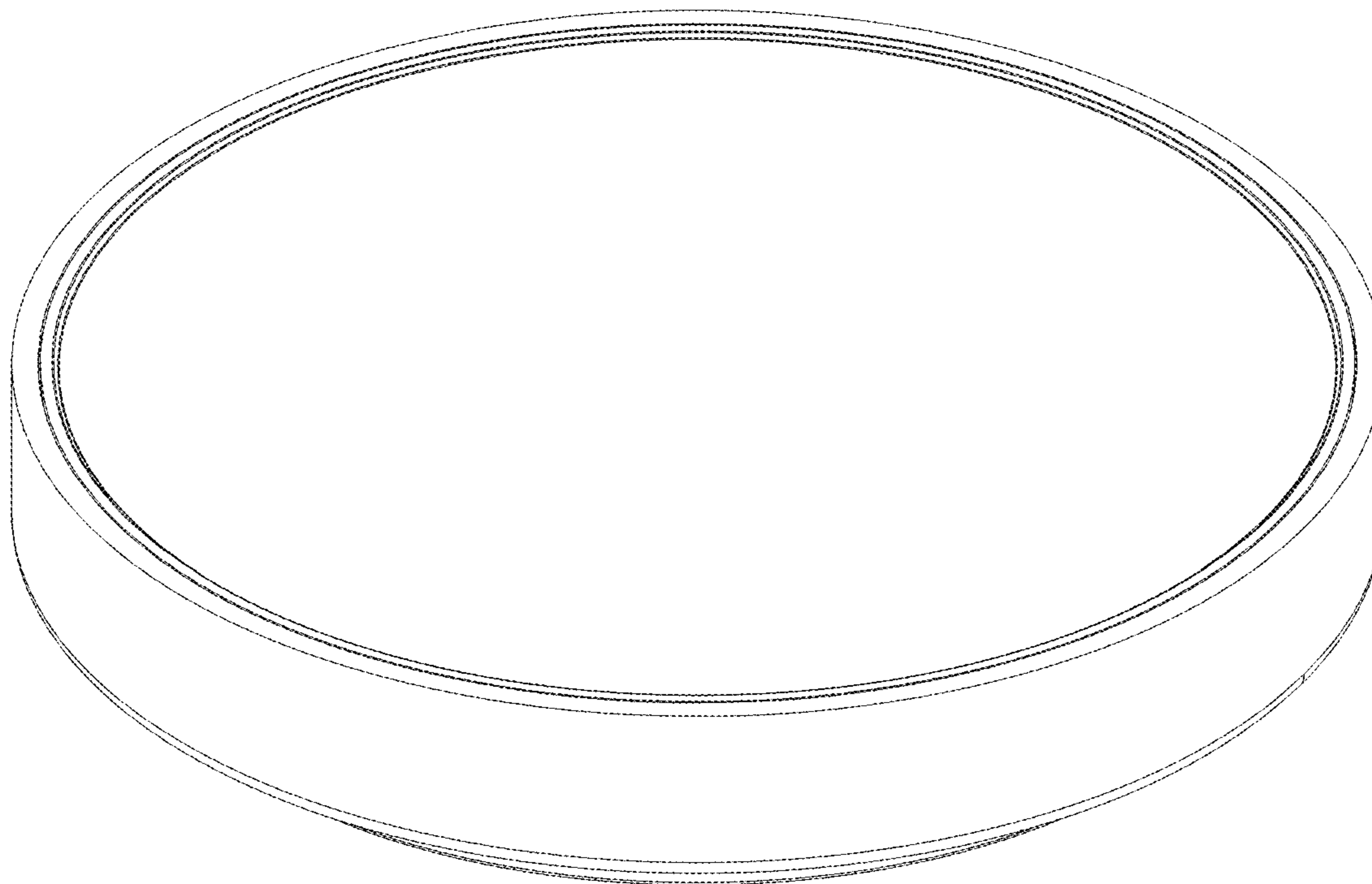


FIG. 1

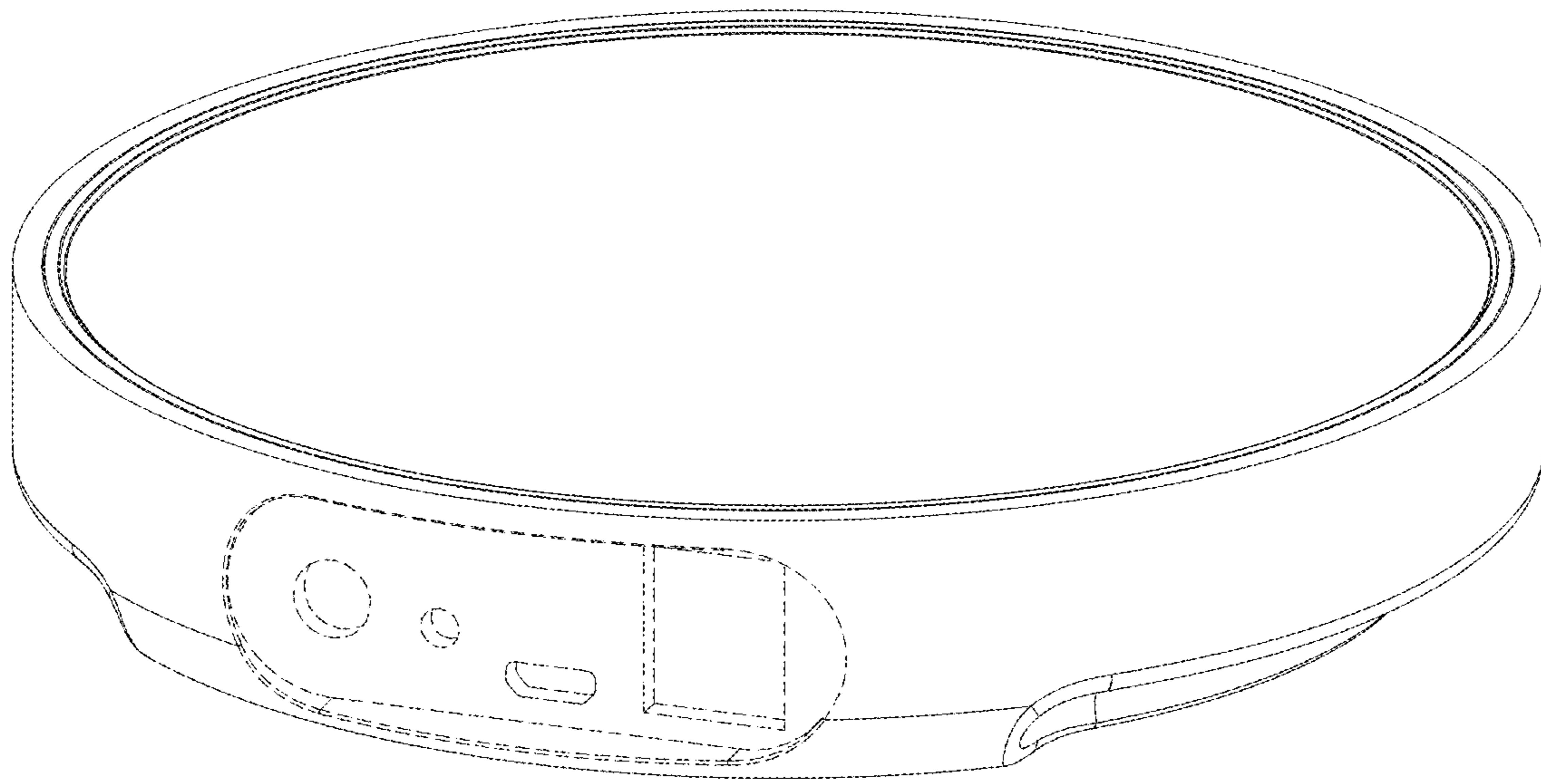


FIG. 2

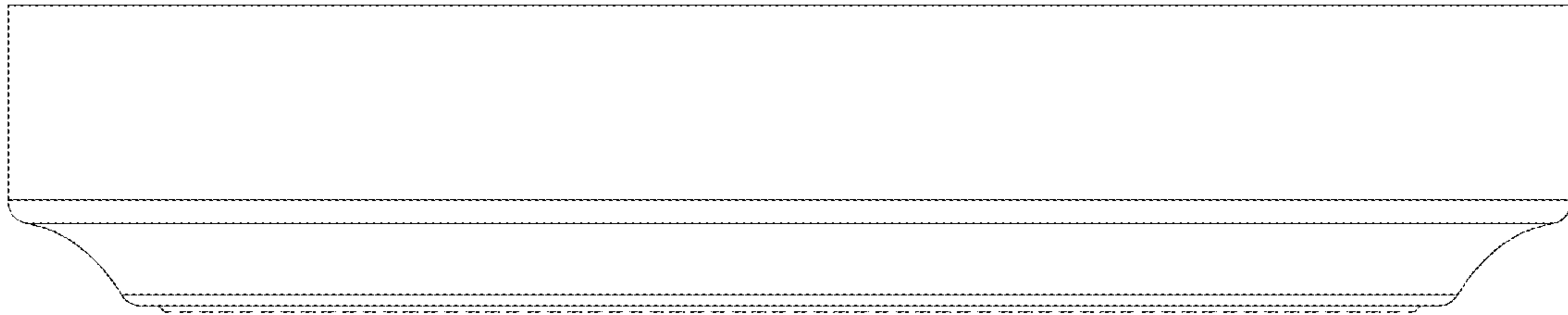


FIG. 3

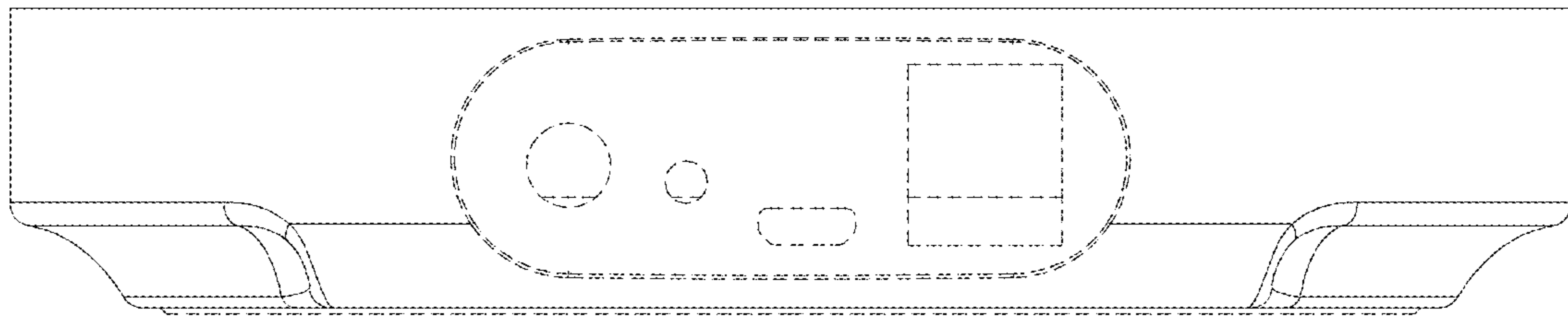


FIG. 4

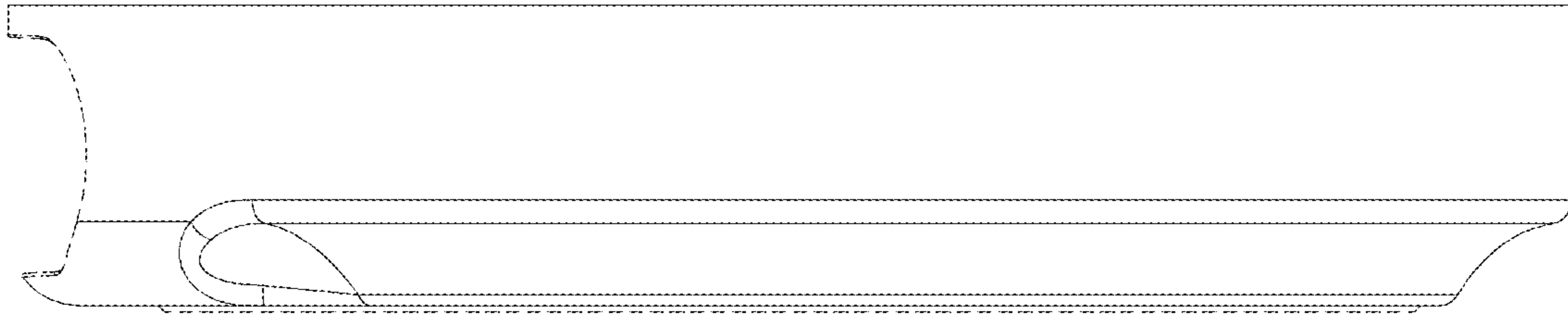


FIG. 5

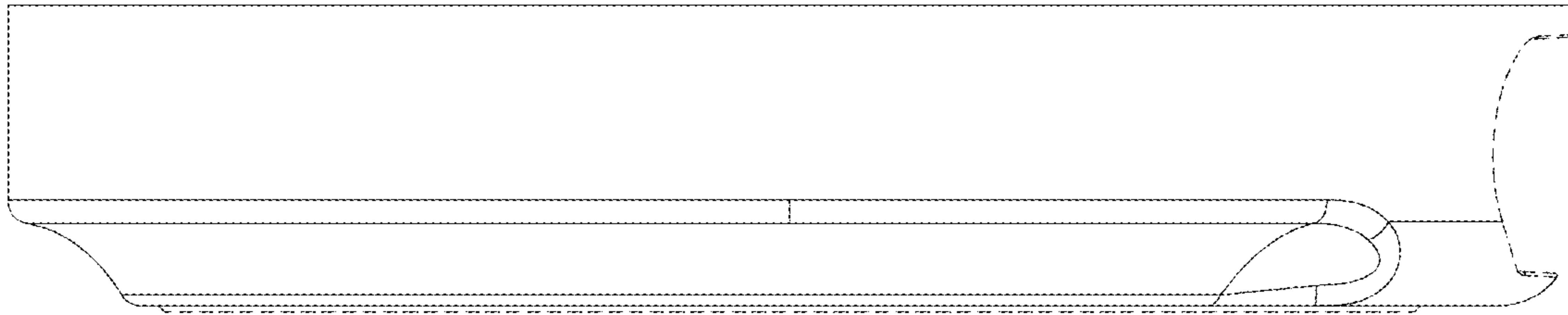


FIG. 6

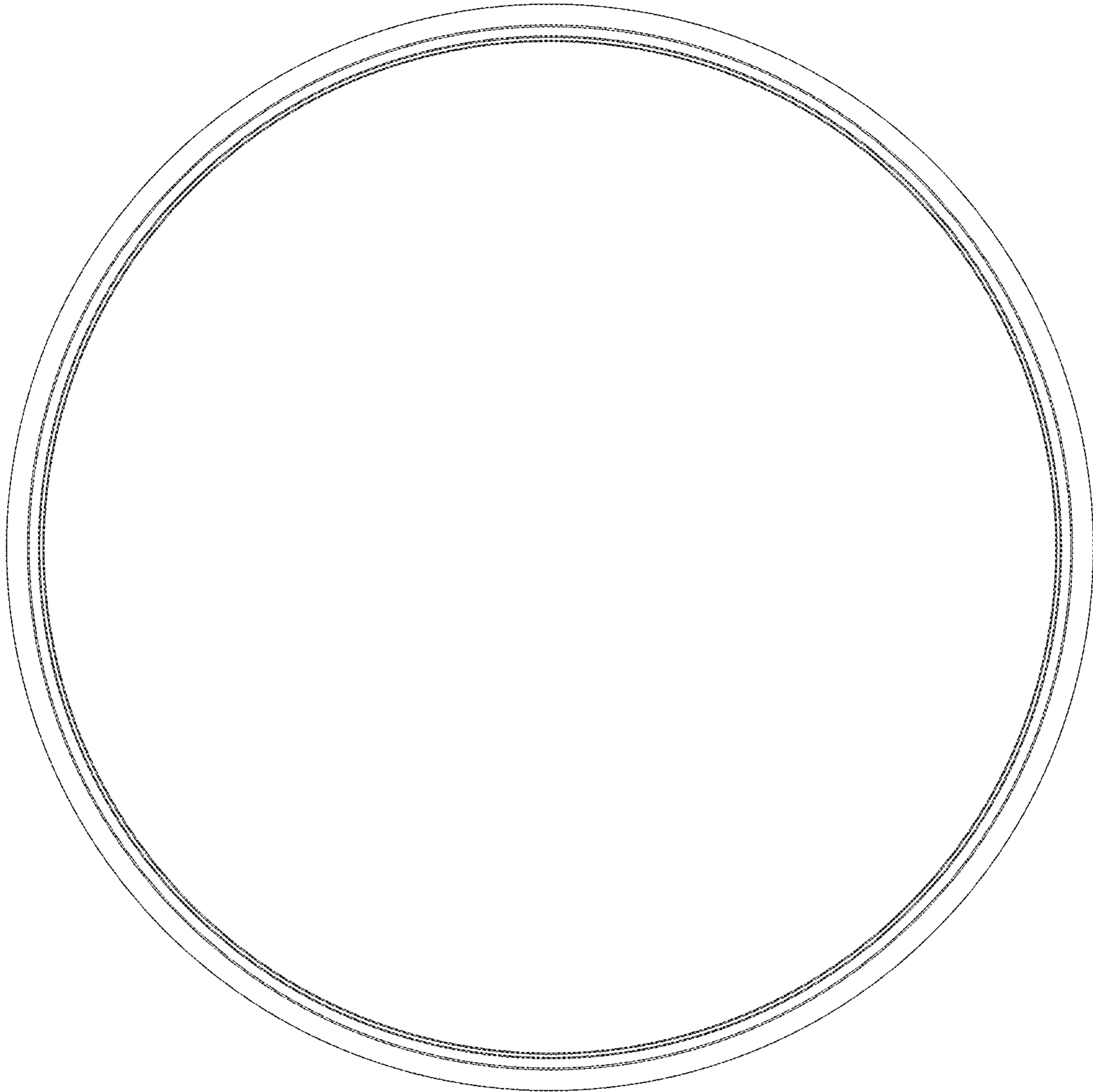


FIG. 7

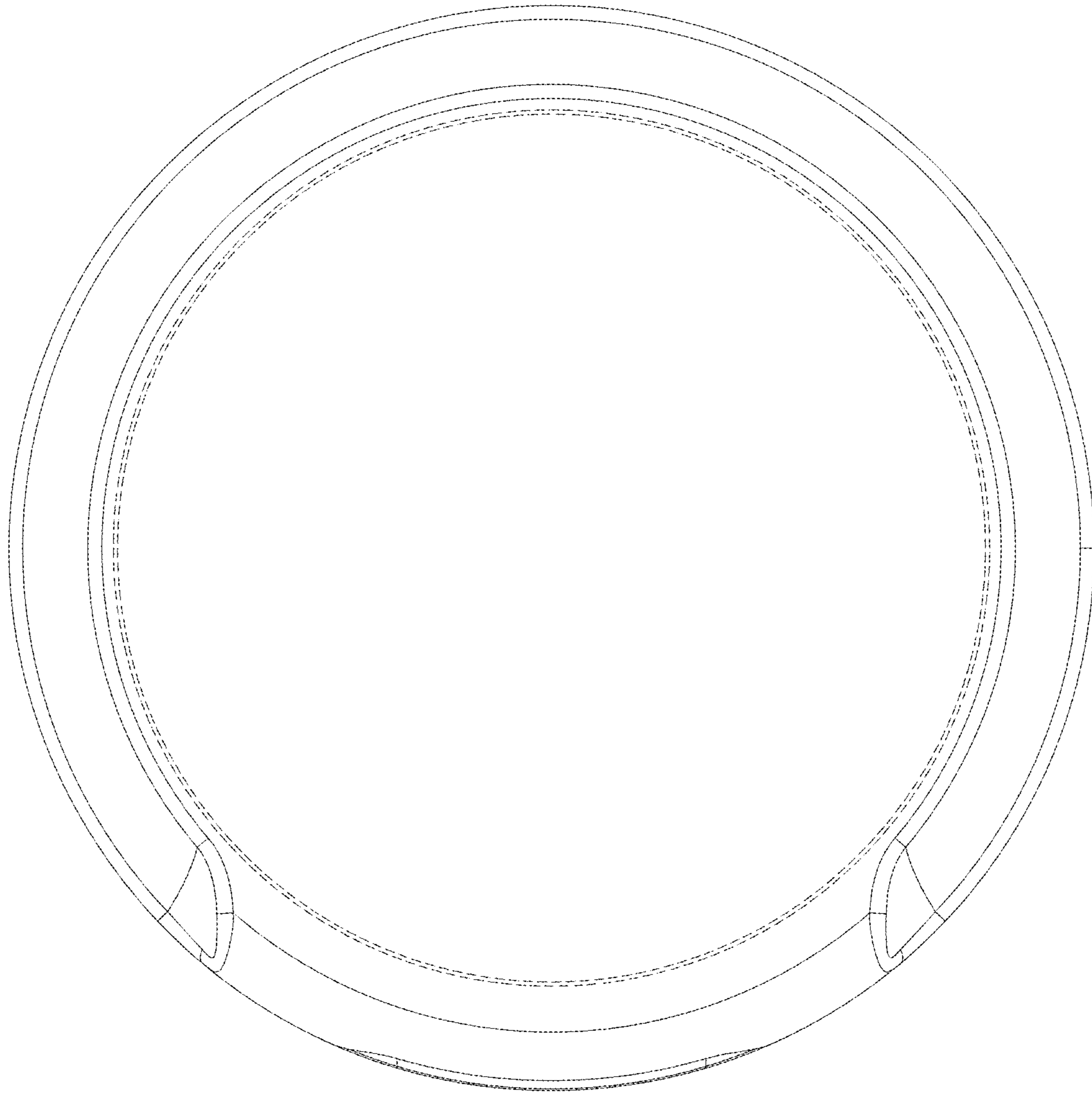


FIG. 8

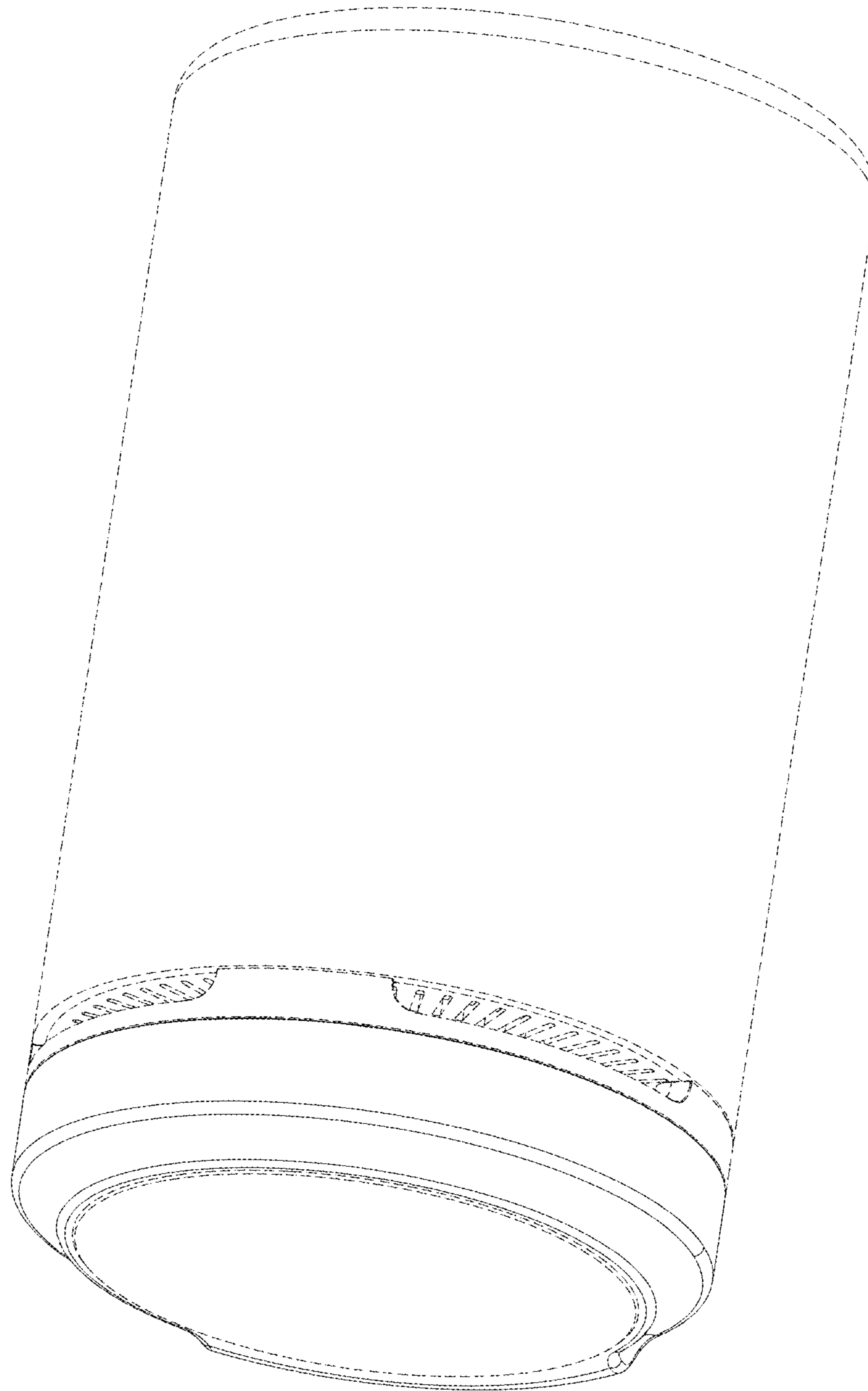


FIG. 9

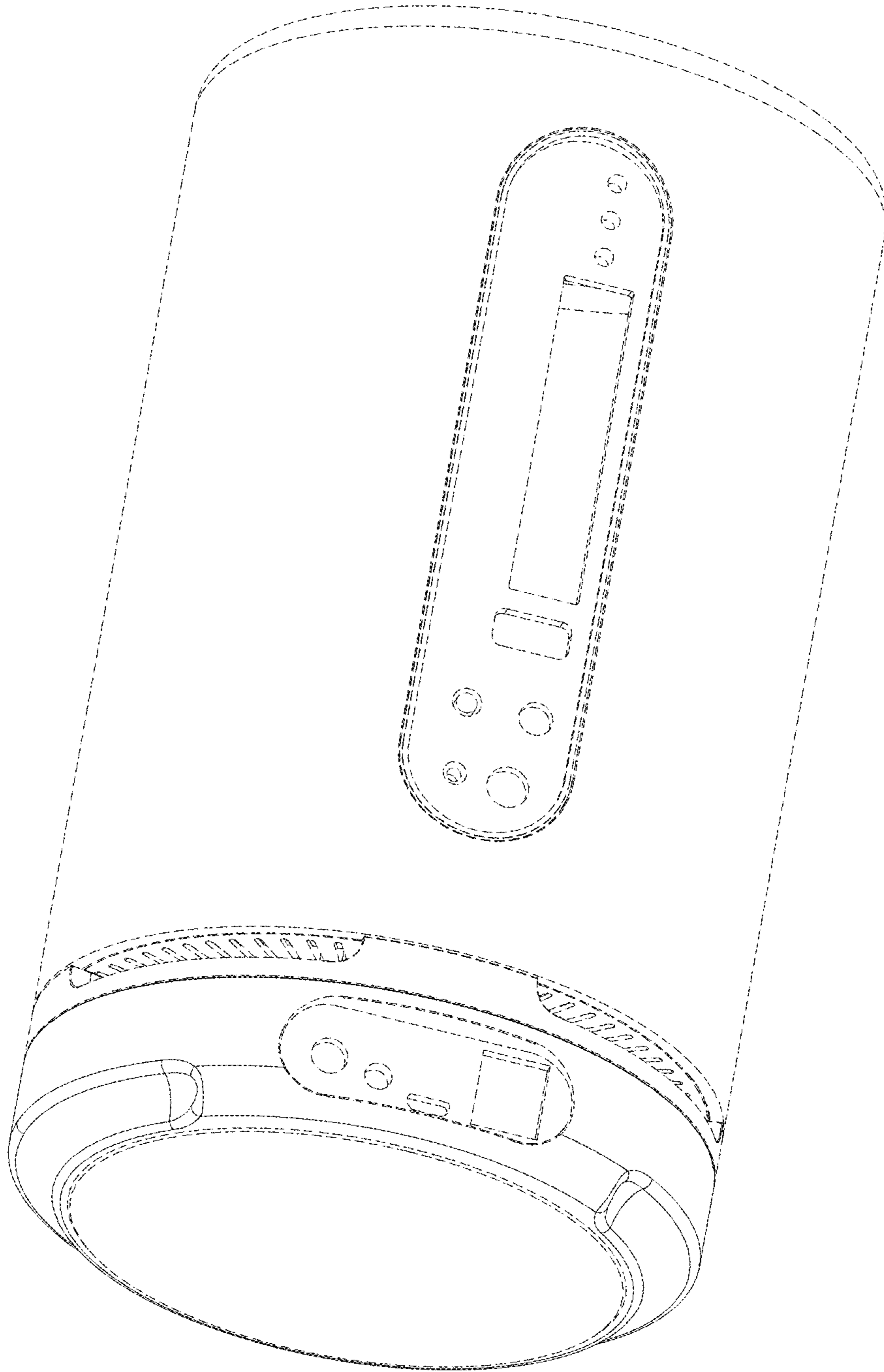


FIG. 10



FIG. 11

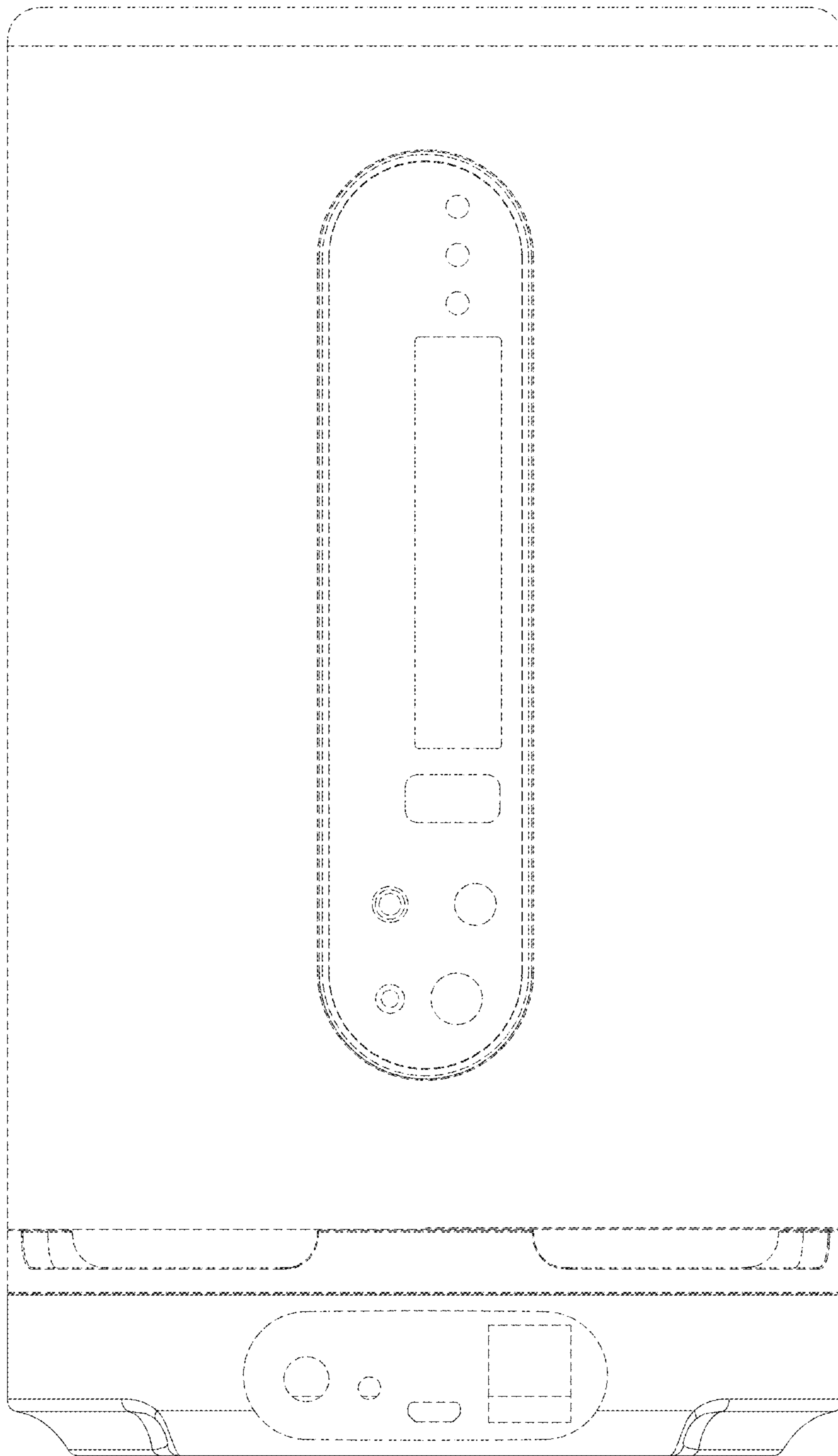


FIG. 12

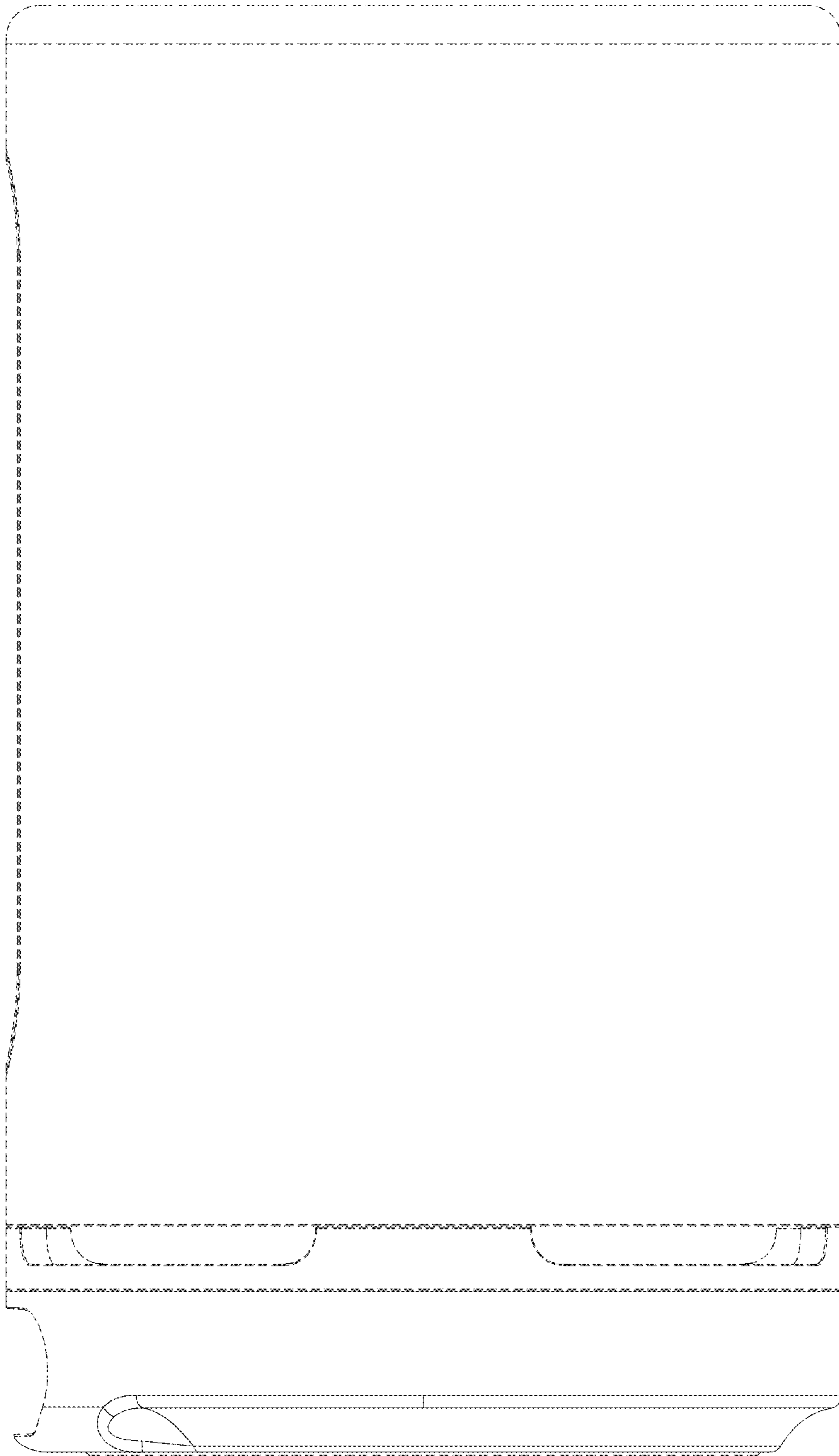


FIG. 13

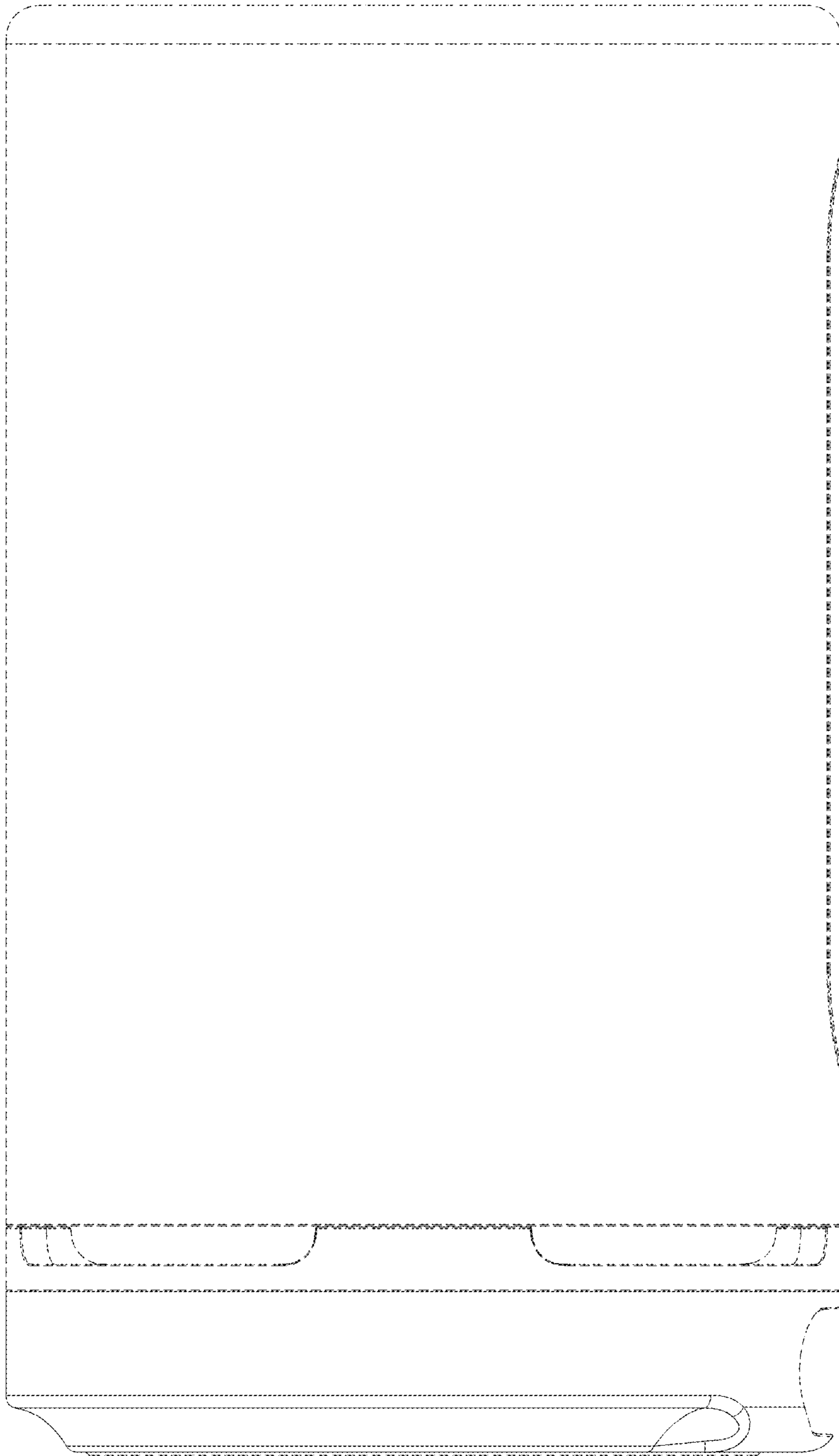


FIG. 14

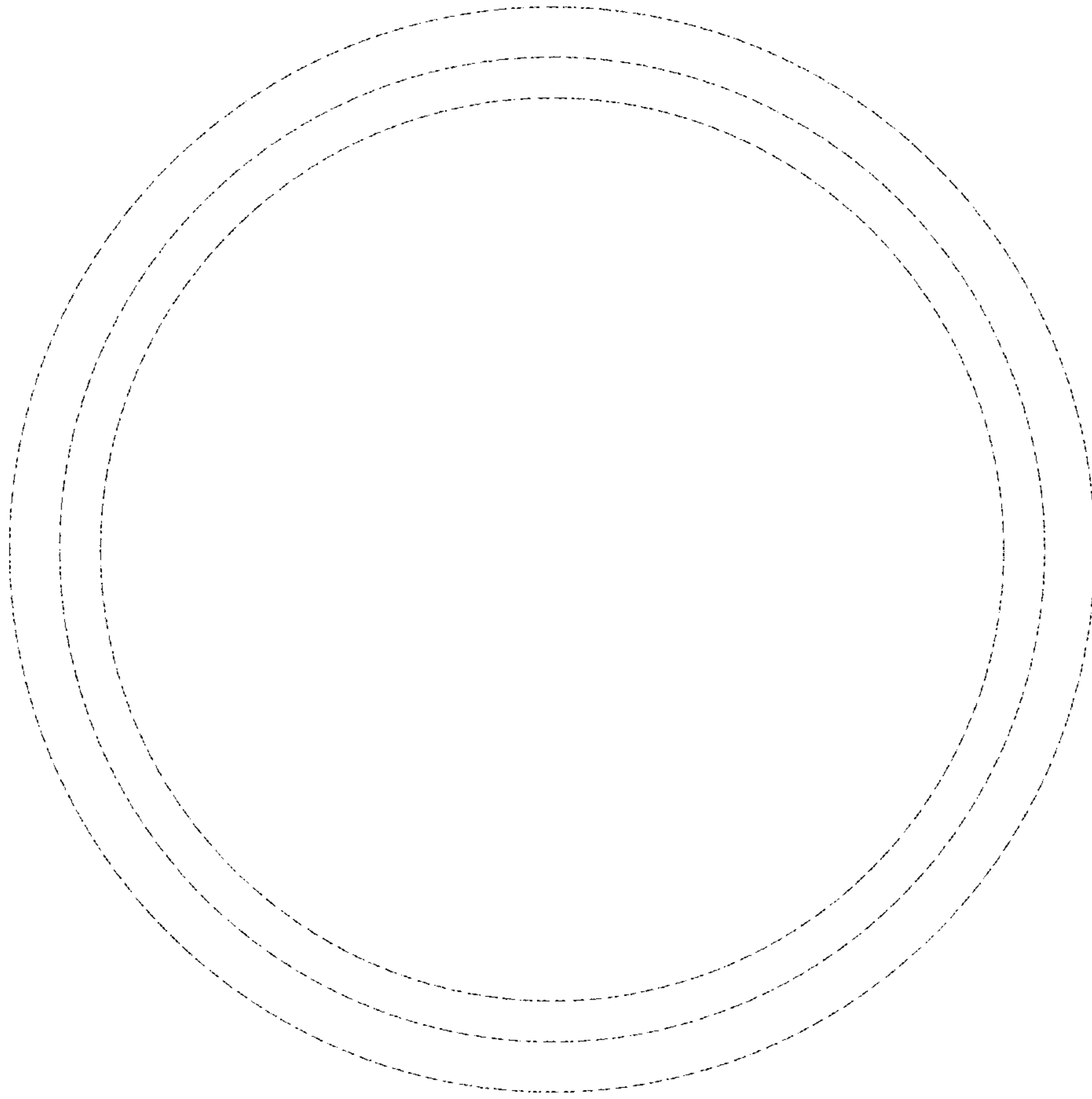


FIG. 15

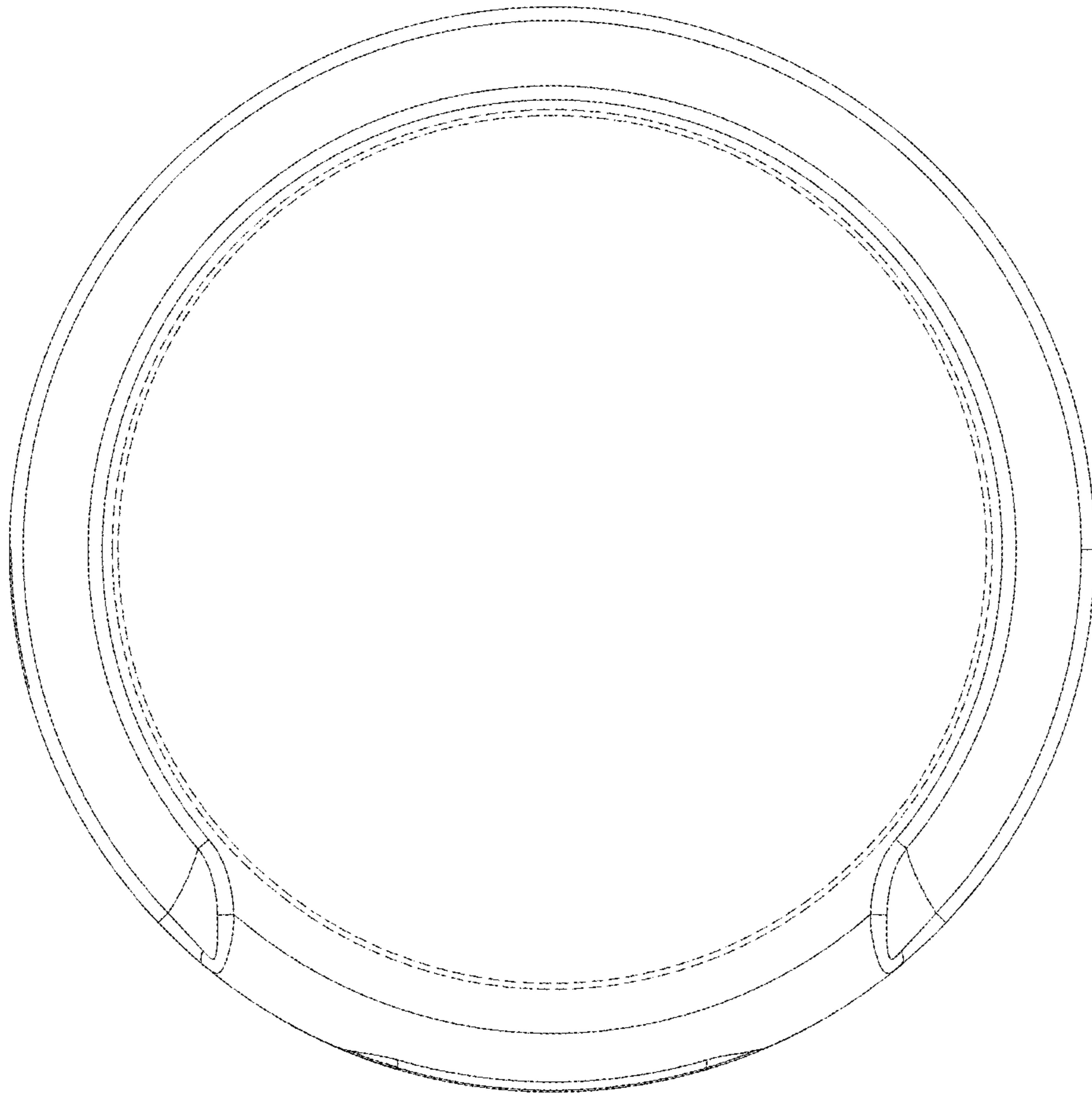


FIG. 16