



US00D883963S

(12) **United States Design Patent** (10) **Patent No.:** **US D883,963 S**
Chen et al. (45) **Date of Patent:** **** May 12, 2020**

- (54) **ANTENNA**
- (71) Applicant: **Wistron NeWeb Corp.**, Hsinchu (TW)
- (72) Inventors: **Wei-Chen Chen**, Hsinchu (TW);
Chih-Hsin Lin, Hsinchu (TW); **Yu-Yu Chiang**, Hsinchu (TW)
- (73) Assignee: **WISTRON NEWEB CORP.**, Hsinchu (TW)
- (**) Term: **15 Years**
- (21) Appl. No.: **29/702,921**
- (22) Filed: **Aug. 22, 2019**

Related U.S. Application Data

- (62) Division of application No. 29/658,036, filed on Jul. 27, 2018, now Pat. No. Des. 864,926.
- (51) **LOC (12) Cl.** **14-03**
- (52) **U.S. Cl.**
USPC **D14/230**
- (58) **Field of Classification Search**
USPC D14/138, 230-238, 299, 358; D12/42, D12/43
CPC H01Q 7/00; H01Q 13/10; H01Q 9/285;
H01Q 19/30; H01Q 19/12; H01Q 1/38;
H01Q 1/36; H01Q 2/0027; H01Q 1/48;
H01Q 9/045; H01Q 1/243; H04B 1/0475;
H04B 1/034; H05K 11/00
See application file for complete search history.

(56) **References Cited**

U.S. PATENT DOCUMENTS

- D534,902 S * 1/2007 Su D14/230
- D535,290 S * 1/2007 Su D14/230

- 7,489,278 B2 * 2/2009 Huang 343/700 MS
- D675,195 S * 1/2013 Huang D14/230
- D703,196 S * 4/2014 Zheng D14/230
- D821,367 S * 6/2018 Zheng D14/230
- D840,986 S * 2/2019 Zheng D14/230
- 2005/0128151 A1 * 6/2005 Kwak, II H01Q 1/243
343/702
- 2011/0175794 A1 * 7/2011 Tai H01Q 9/0421
343/908
- 2012/0176273 A1 * 7/2012 Yu H01Q 1/243
343/700 MS
- 2013/0033399 A1 * 2/2013 Huang H01Q 9/0421
343/700 MS

* cited by examiner

Primary Examiner — John Windmuller

(74) *Attorney, Agent, or Firm* — McClure, Qualey & Rodack, LLP

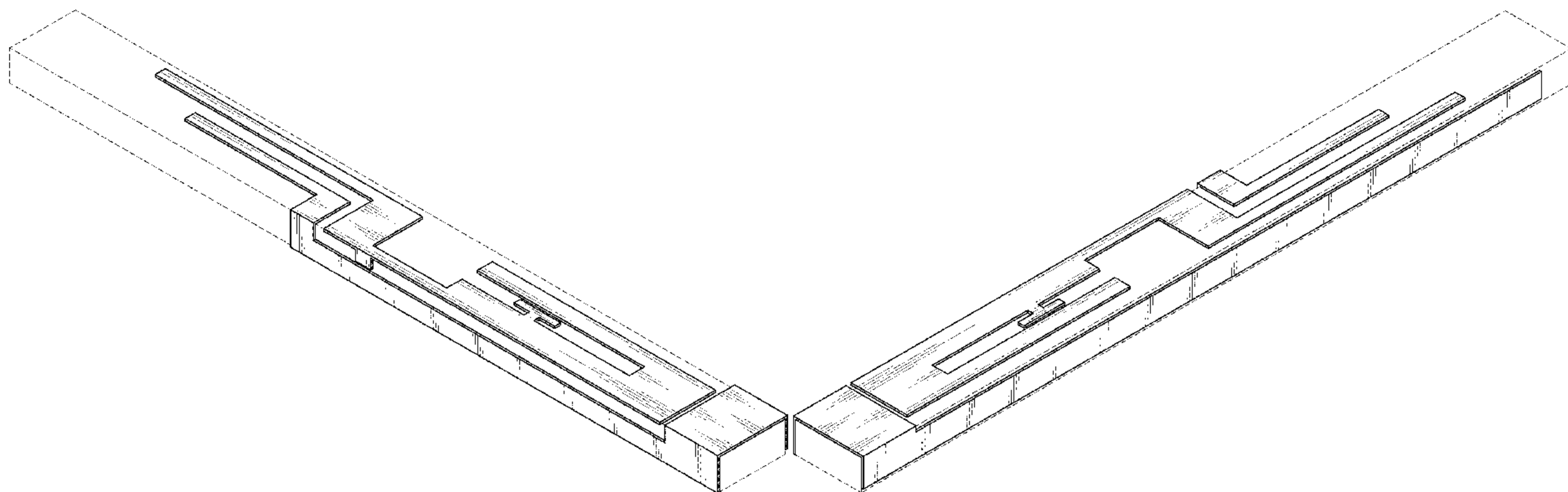
(57) **CLAIM**

The ornamental design for an antenna, as shown and described.

DESCRIPTION

FIG. 1 is a front perspective view of an antenna showing our new design;
 FIG. 2 is a front view thereof;
 FIG. 3 is a rear view thereof;
 FIG. 4 is a left side view thereof;
 FIG. 5 is a right side view thereof;
 FIG. 6 is a top plan view thereof;
 FIG. 7 is a bottom plan view thereof; and,
 FIG. 8 is a rear perspective view thereof.
 The broken lines in the drawings depict portions of the antenna that form no part of the claimed design.

1 Claim, 5 Drawing Sheets



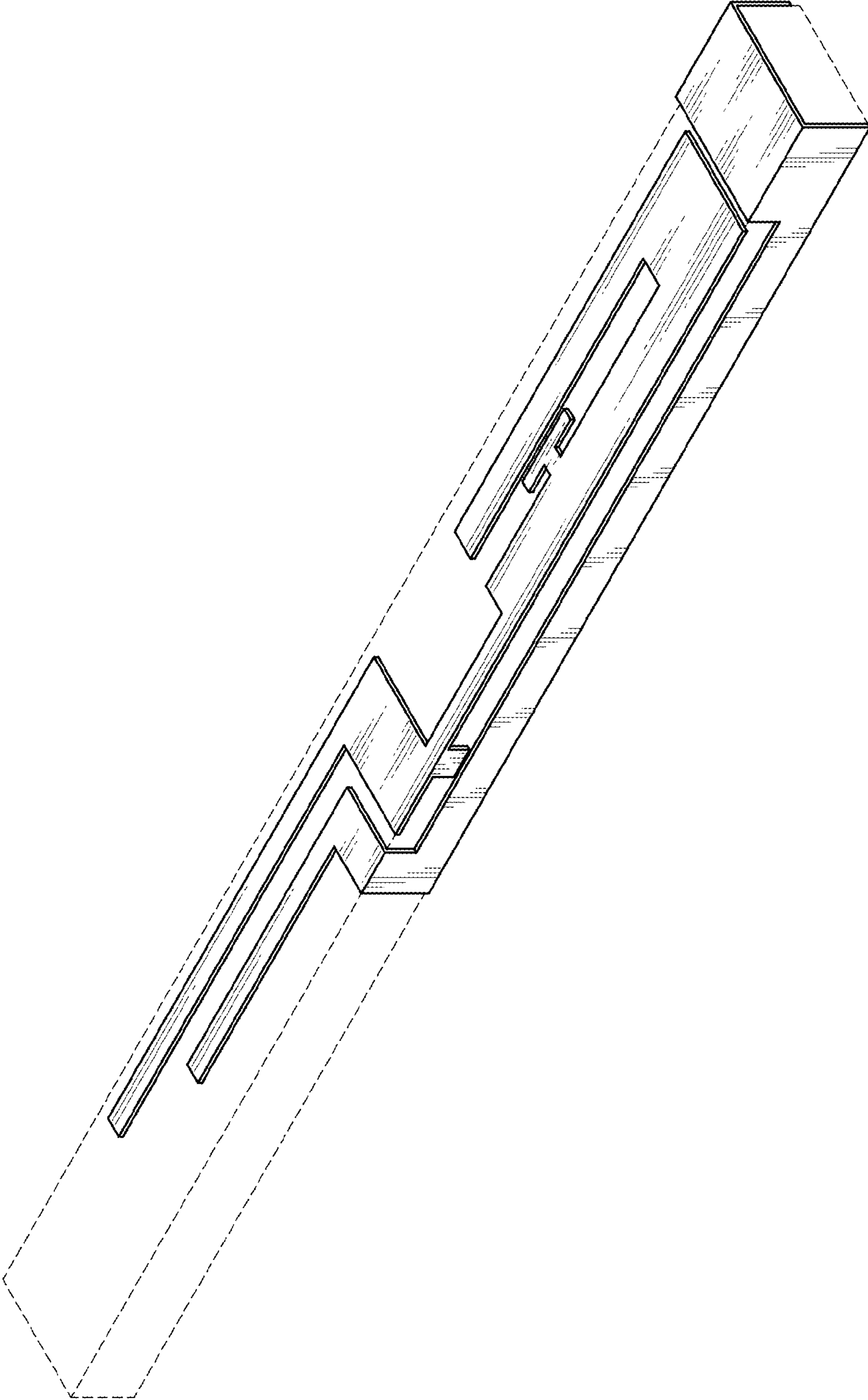


FIG. 1

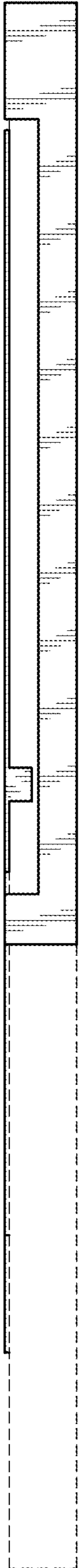


FIG. 2

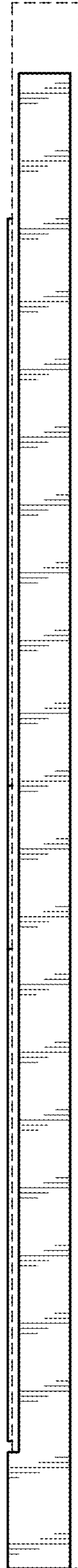


FIG. 3

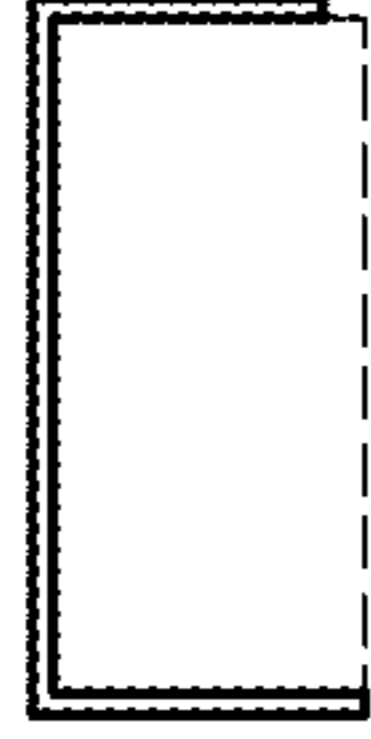


FIG. 5

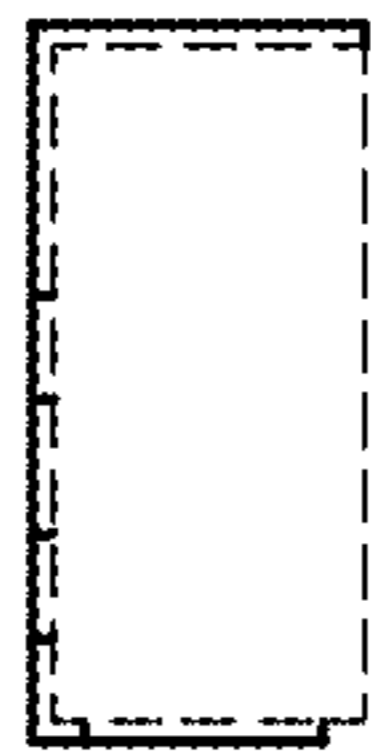


FIG. 4

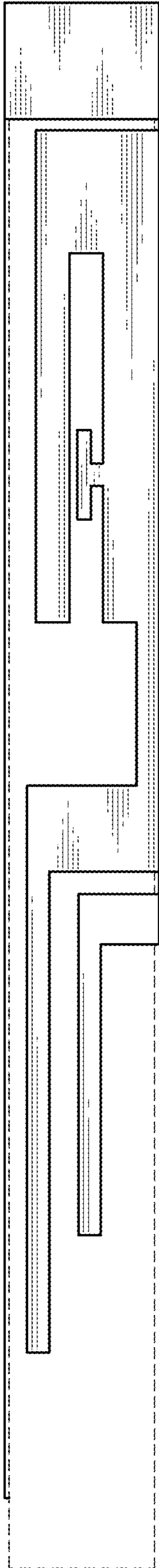


FIG. 6

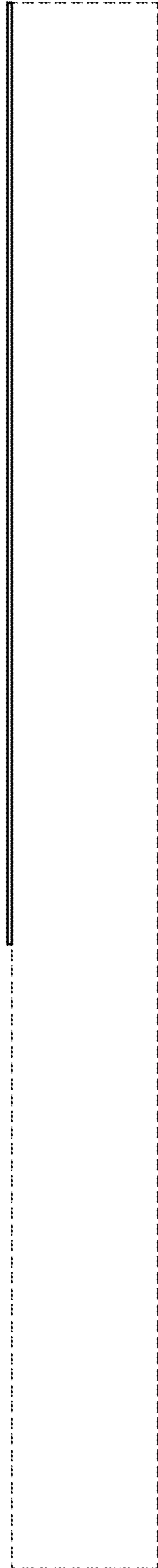


FIG. 7

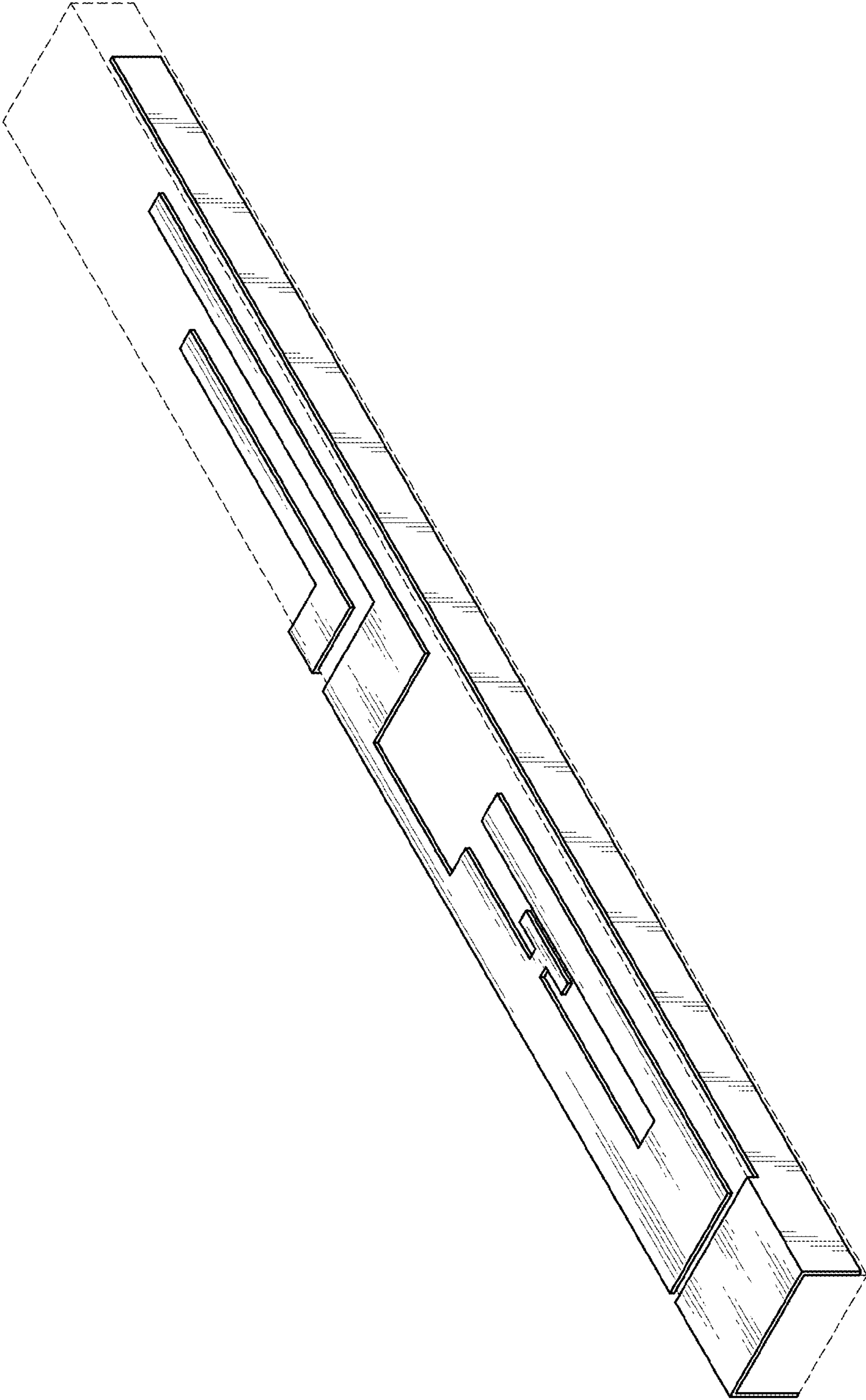


FIG. 8