



US00D883962S

(12) **United States Design Patent** (10) **Patent No.:** **US D883,962 S**
Keyrouz et al. (45) **Date of Patent:** **** May 12, 2020**

(54) **DUAL PORT ANTENNA ASSEMBLY**

FOREIGN PATENT DOCUMENTS

(71) Applicant: **The Antenna Company International N.V.**, Willemstad (CW)

CN 106299727 A 1/2017
WO 2017061869 A1 4/2017

(72) Inventors: **Shady Keyrouz**, Eindhoven (NL); **Diego Caratelli**, Duizel (NL); **Carlos Moreno De Jong Van Coevorden**, Eindhoven (NL); **Jarmos Pirneskoski**, Eindhoven (NL); **Thomas Bolz**, Sonsbeck (DE)

OTHER PUBLICATIONS

Zarghooni, et al. "Supershaped Metamaterial Unit-cells Using the Gielis Formula", 2015, IEEE International Symposium on Antennas and Propagation & USNC/URSI National Radio Science Meeting, Jul. 19, 2015, pp. 458-459.

(73) Assignee: **The Antenna Company International N.V.**, Willemstad (CW)

Primary Examiner — Jeffrey D Asch
Assistant Examiner — Rebekah A Caruso

(**) Term: **15 Years**

(74) *Attorney, Agent, or Firm* — The Webb Law Firm

(21) Appl. No.: **29/623,485**

(57) **CLAIM**

(22) Filed: **Oct. 25, 2017**

The ornamental design for a dual port antenna assembly, as shown and described.

DESCRIPTION

Related U.S. Application Data

(63) Continuation-in-part of application No. 29/612,467, filed on Aug. 1, 2017, now Pat. No. Des. 856,313.

FIG. 1 is a top perspective view of a dual port antenna assembly, showing our new design;
FIG. 2 is a top view thereof;
FIG. 3 is a front view thereof;
FIG. 4 is a side view thereof;
FIG. 5 is a bottom view thereof;
FIG. 6 is a top perspective view of one of the dual port antenna of FIG. 1;
FIG. 7 is a front perspective view of the dual port antenna of FIG. 6;
FIG. 8 is another top perspective view of the dual port antenna of FIG. 6;
FIG. 9 is another front perspective view of the dual port antenna of FIG. 6;
FIG. 10 is a top rear perspective view of the dual port antenna of FIG. 6;
FIG. 11 is a rear perspective view of the dual port antenna of FIG. 6;
FIG. 12 is a rear view of the dual port antenna of FIG. 6;
FIG. 13 is a front view of the dual port antenna of FIG. 6;
FIG. 14 is a right side view of the dual port antenna of FIG. 6;

(30) **Foreign Application Priority Data**

Apr. 25, 2017 (NL) 2018779
Jul. 28, 2017 (NL) 2019365

(51) **LOC (12) Cl.** **14-03**

(52) **U.S. Cl.**
USPC **D14/230**

(58) **Field of Classification Search**
USPC D14/230–238, 138, 172, 188, 203.1, D14/203.3, 203.6, 204, 216, 221, 238.1,
(Continued)

(56) **References Cited**

U.S. PATENT DOCUMENTS

6,034,649 A * 3/2000 Wilson H01Q 1/246
343/795

D459,706 S * 7/2002 Ebihara D13/182
(Continued)

(Continued)

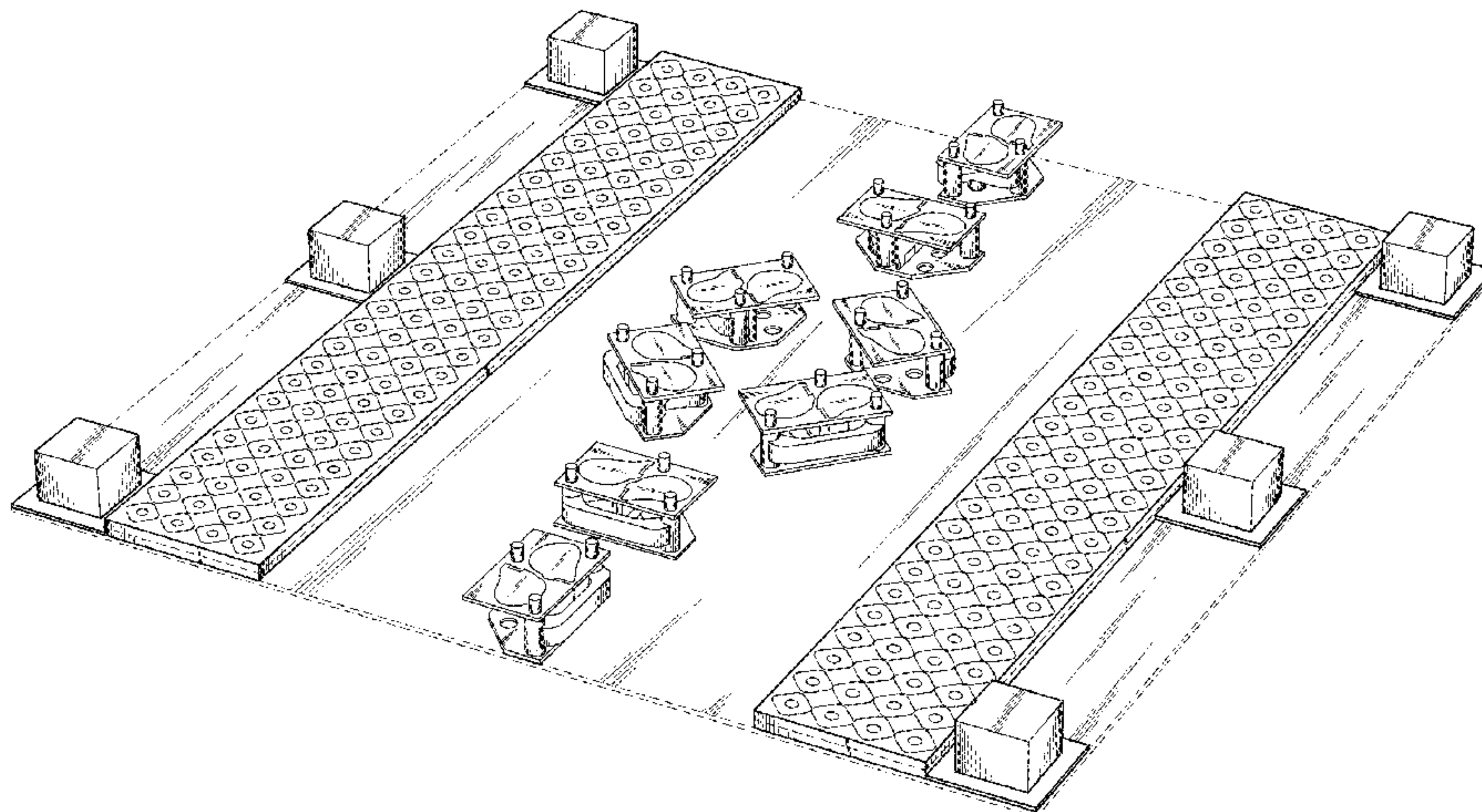


FIG. 15 is a left side view of the dual port antenna of FIG. 6; and,

FIG. 16 is a top view of the dual port antenna of FIG. 6.

Each of the dual port antennas provided on the top surface of the article are identical in appearance to the dual port antenna depicted in FIGS. 6-16.

The broken lines shown in FIGS. 1-5 depict components of the dual port antenna assembly that form no part of the claimed design and are included for environmental purposes only.

1 Claim, 16 Drawing Sheets

(58) **Field of Classification Search**

USPC D14/240, 242, 299, 314, 343, 356, 358,
D14/496, 509; D13/182
CPC H01Q 1/007; H01Q 1/084; H01Q 1/12;
H01Q 1/22; H01Q 1/38; H01Q 1/42;
H01Q 7/00; H01Q 9/40; H01Q 9/285;
H01Q 9/065; H01Q 9/44; H01Q 9/265;
H01Q 19/10; H01Q 19/106; H01Q 19/12;
H01Q 19/13; H01Q 19/15; H01Q 19/30;
H01Q 21/28; H01Q 21/06; H01Q 21/062;
H01Q 21/293; H01Q 23/00; H01Q 1/32;
H01Q 1/3275; G05D 1/02; G05D 1/0234

See application file for complete search history.

(56)

References Cited

U.S. PATENT DOCUMENTS

6,597,324	B2 *	7/2003	Eriksson	H01Q 1/246
				343/795
D505,925	S *	6/2005	Koo	D13/182
D710,832	S *	8/2014	Yang	D14/230
D713,392	S *	9/2014	Podduturi	D14/230
D733,104	S *	6/2015	Yang	D14/230
D740,239	S *	10/2015	Amini	D13/180
D754,108	S *	4/2016	Yang	D14/230
9,502,781	B2 *	11/2016	Battarov	H01Q 21/26
D798,846	S *	10/2017	Chang	D14/230
D802,569	S *	11/2017	Zheng	D14/230
D815,071	S *	4/2018	Yang	D14/230
D838,694	S *	1/2019	Chang	D14/230
10,224,643	B2 *	3/2019	Moon	H01Q 21/062
10,320,092	B2 *	6/2019	Le	H01Q 5/30
D856,313	S *	8/2019	Keyrouz	D14/230
2001/0007445	A1	7/2001	Pankinaho	
2004/0056804	A1	3/2004	Kadambi et al.	
2004/0080457	A1	4/2004	Guo et al.	
2004/0085244	A1	5/2004	Kadambi et al.	
2004/0125030	A1	7/2004	Sung et al.	
2004/0263396	A1	12/2004	Sung	
2006/0290572	A1	12/2006	Chan	
2009/0051595	A1	2/2009	Wang et al.	
2014/0118191	A1 *	5/2014	Smith	H01Q 19/30
				342/372
2015/0214630	A1	7/2015	Shimura	
2016/0344093	A1	11/2016	Tagi et al.	

* cited by examiner

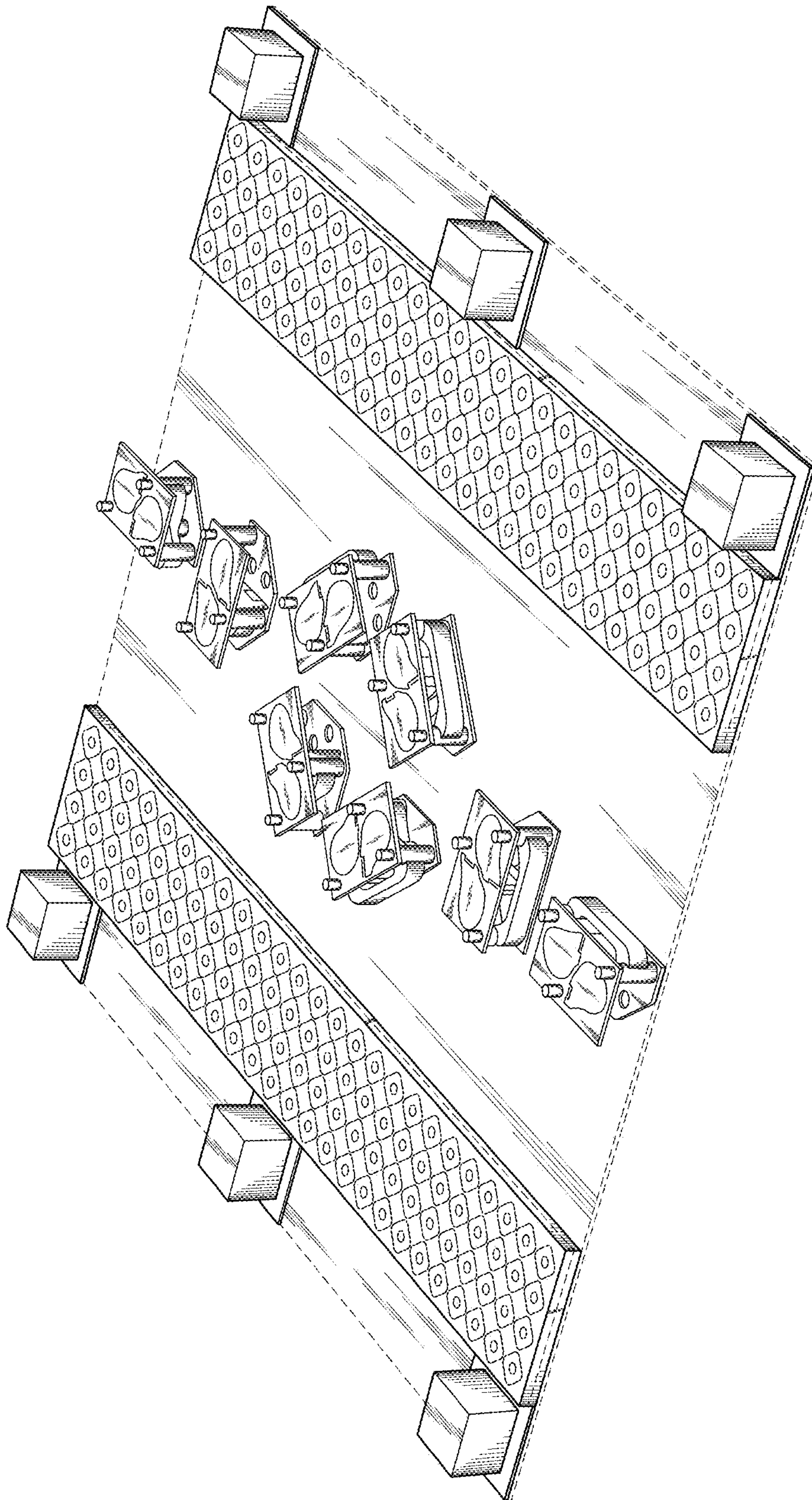


FIG. 1

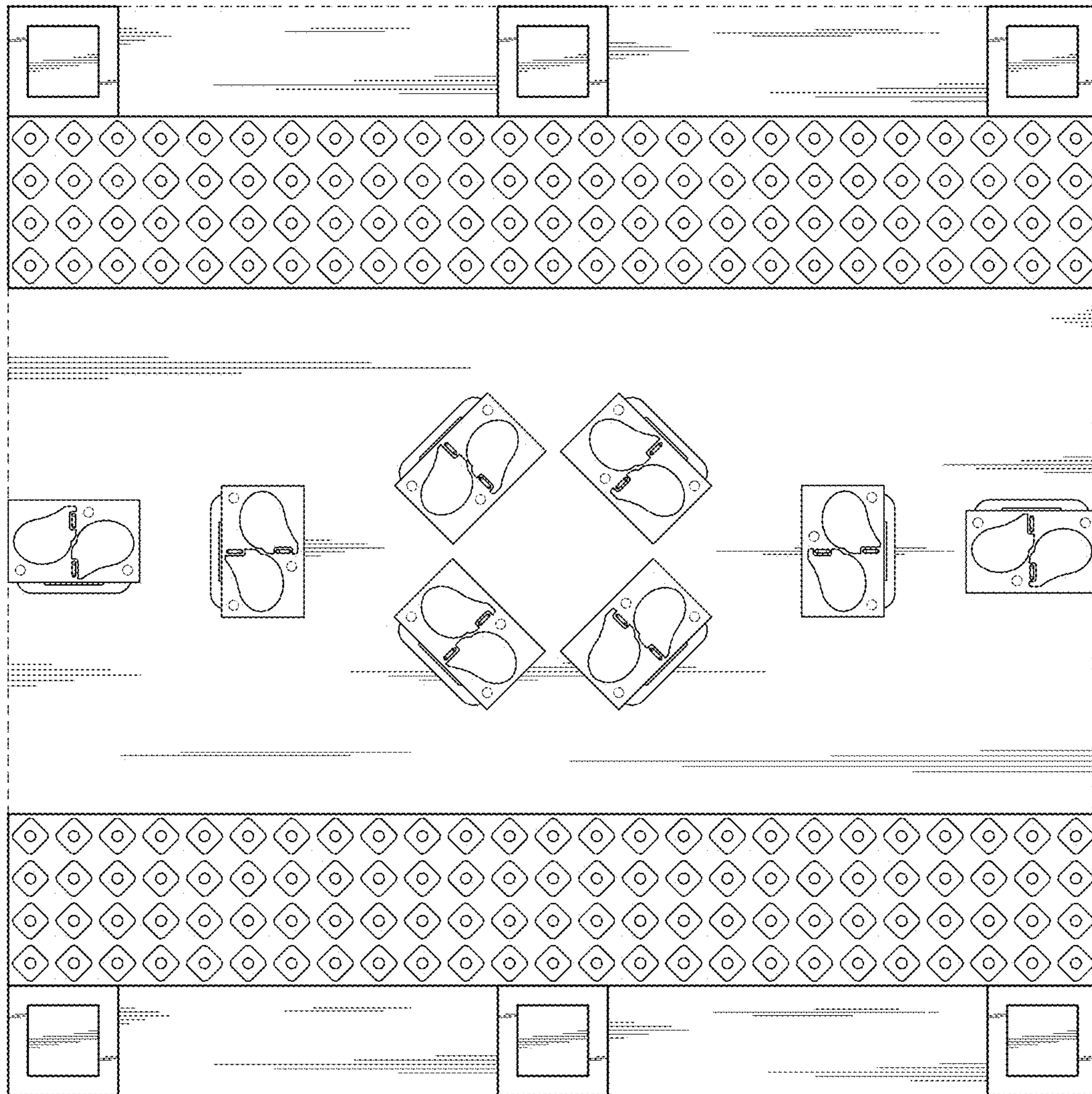


FIG. 2

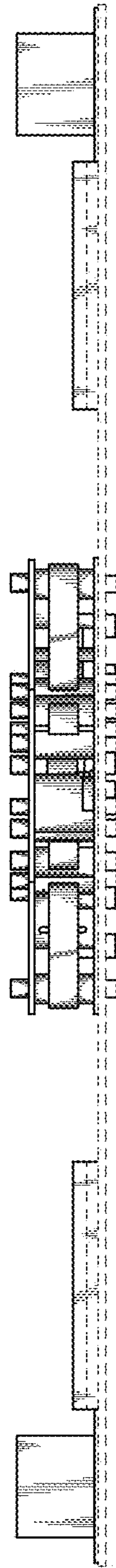


FIG. 3

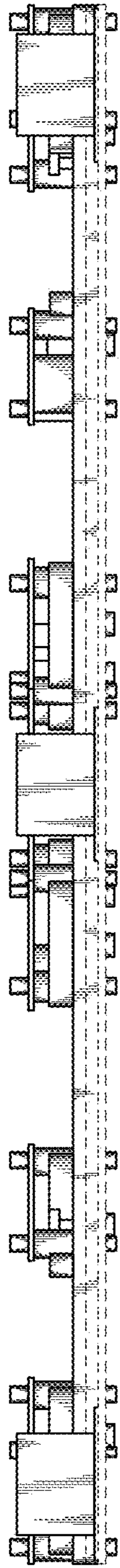


FIG. 4

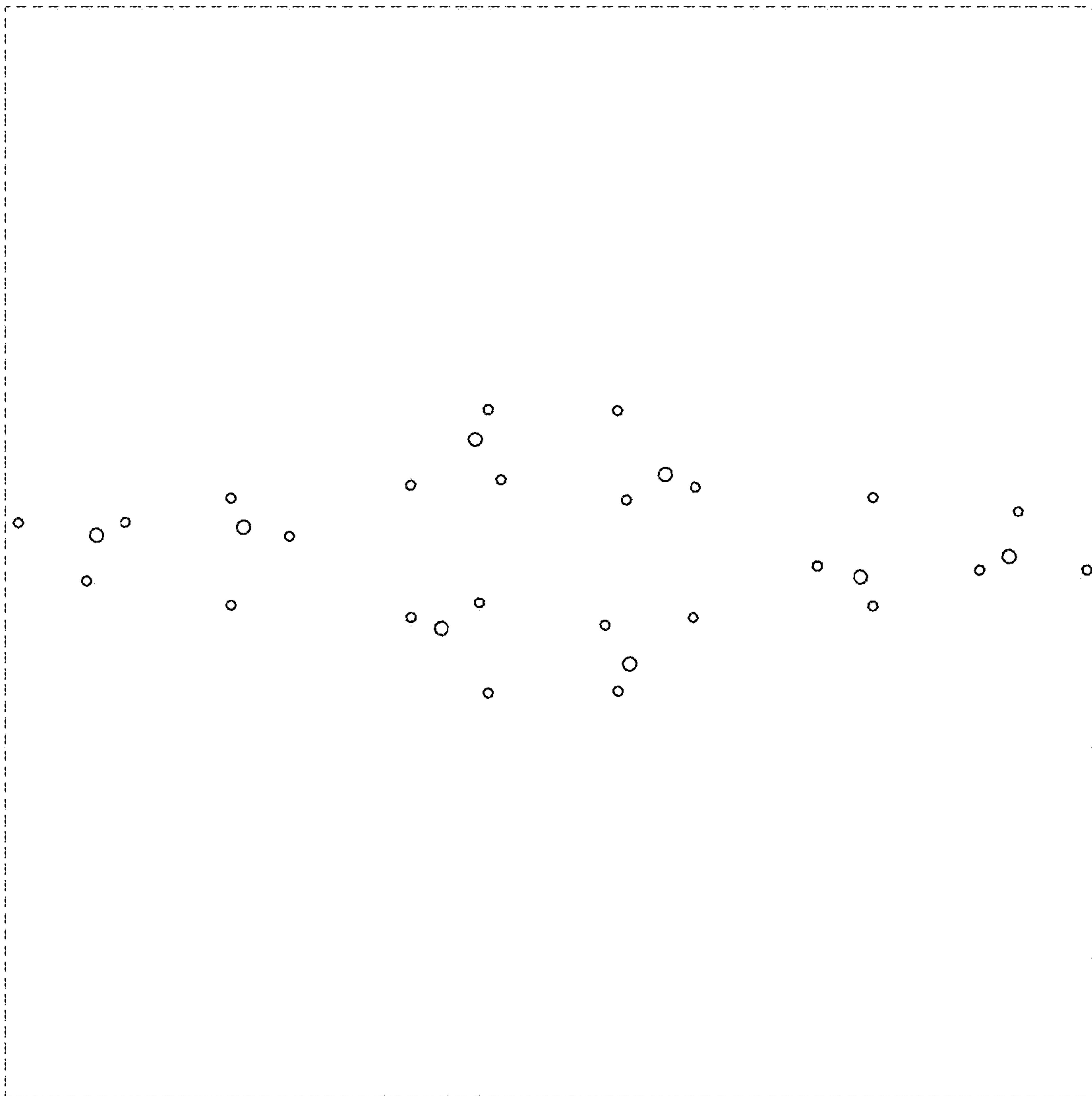


FIG. 5

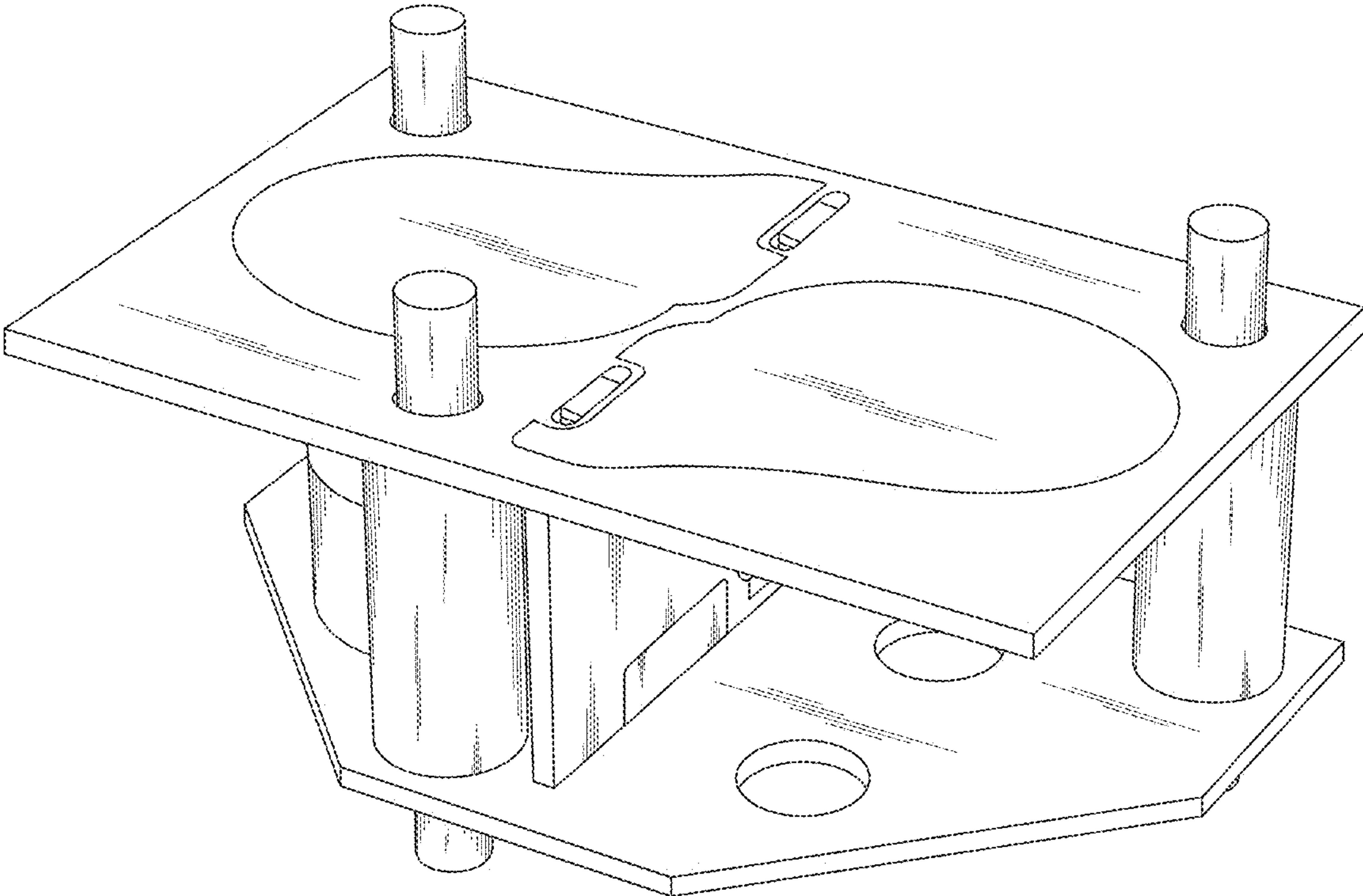


FIG. 6

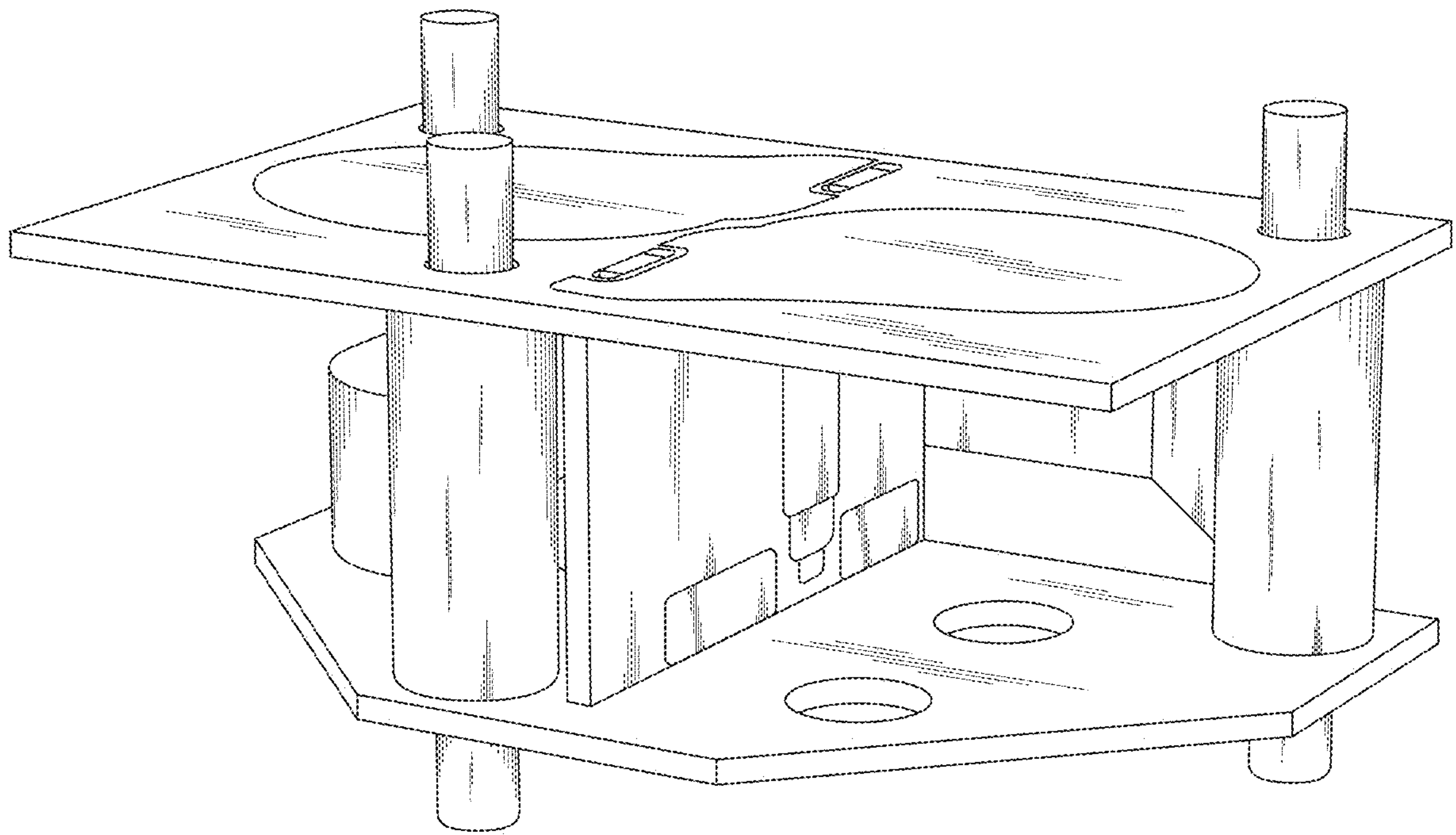


FIG. 7

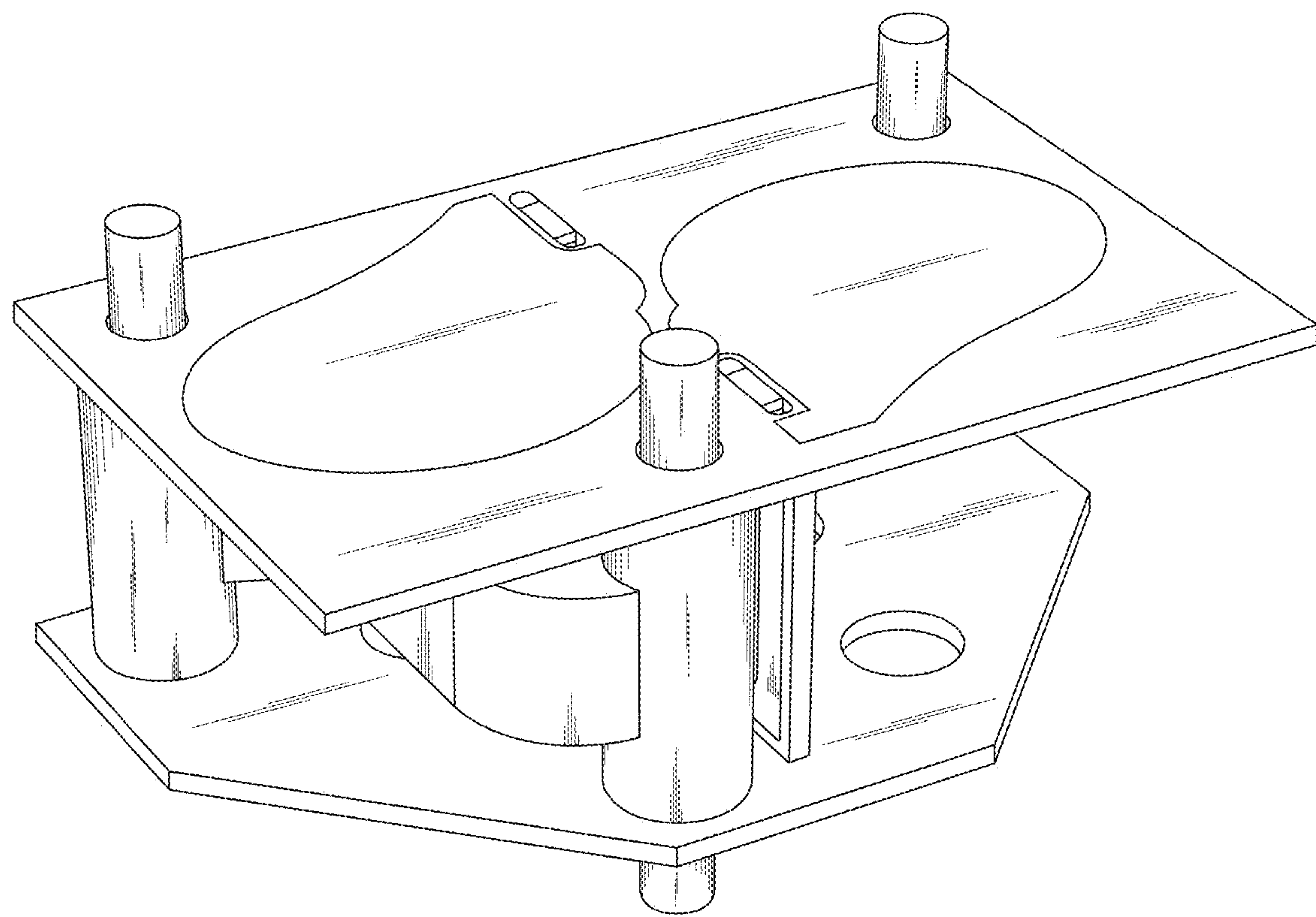


FIG. 8

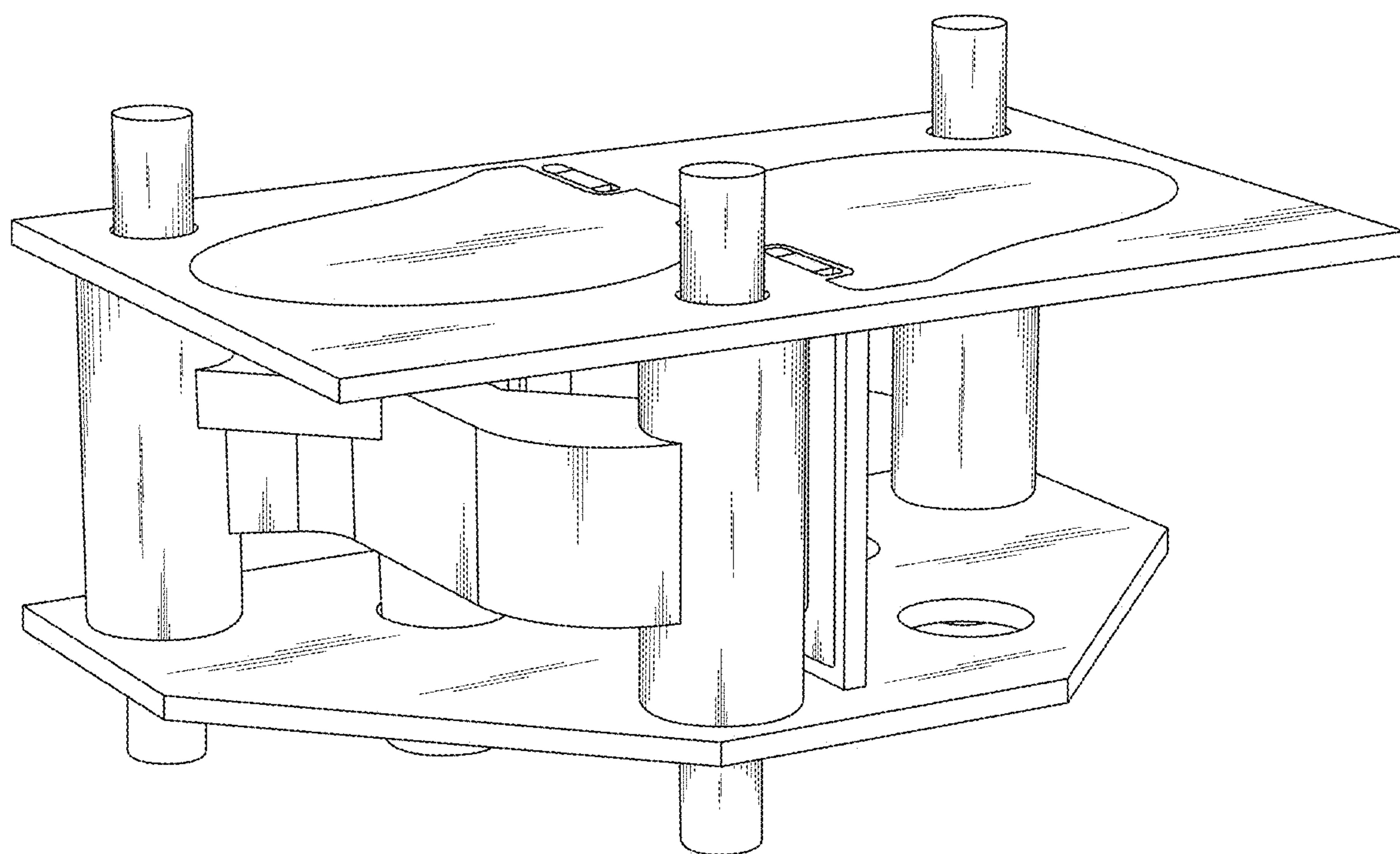


FIG. 9

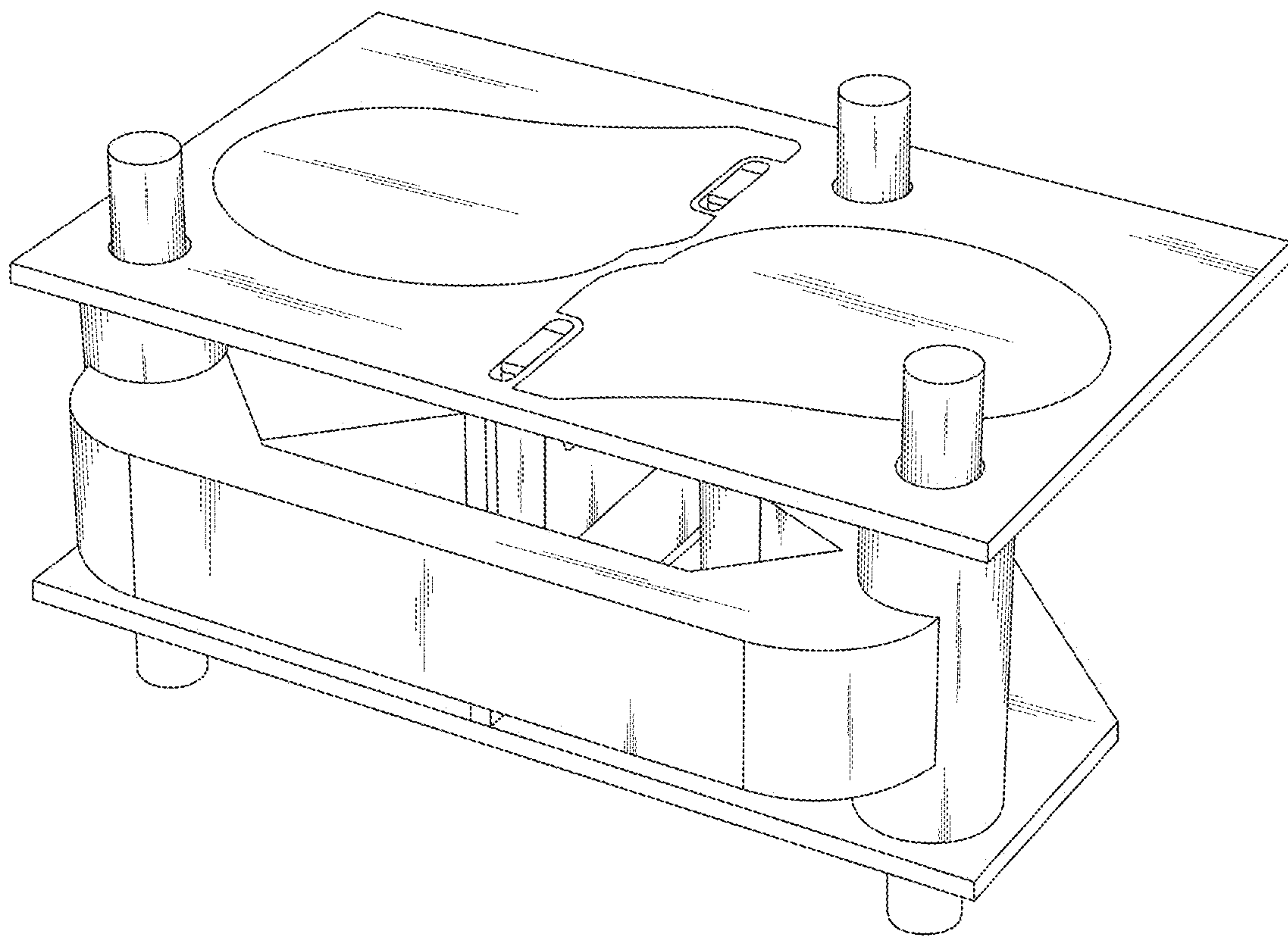


FIG. 10

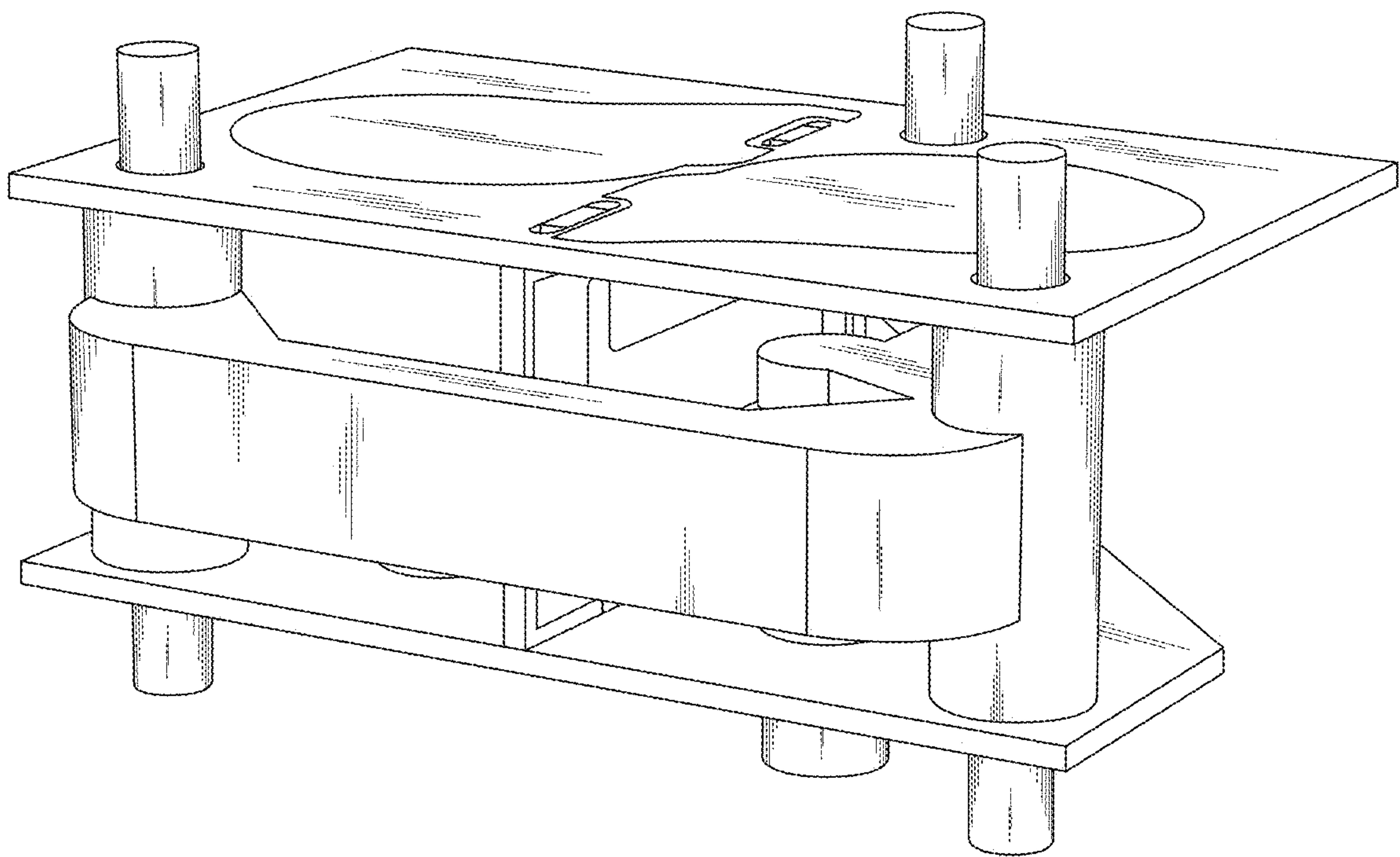


FIG. 11

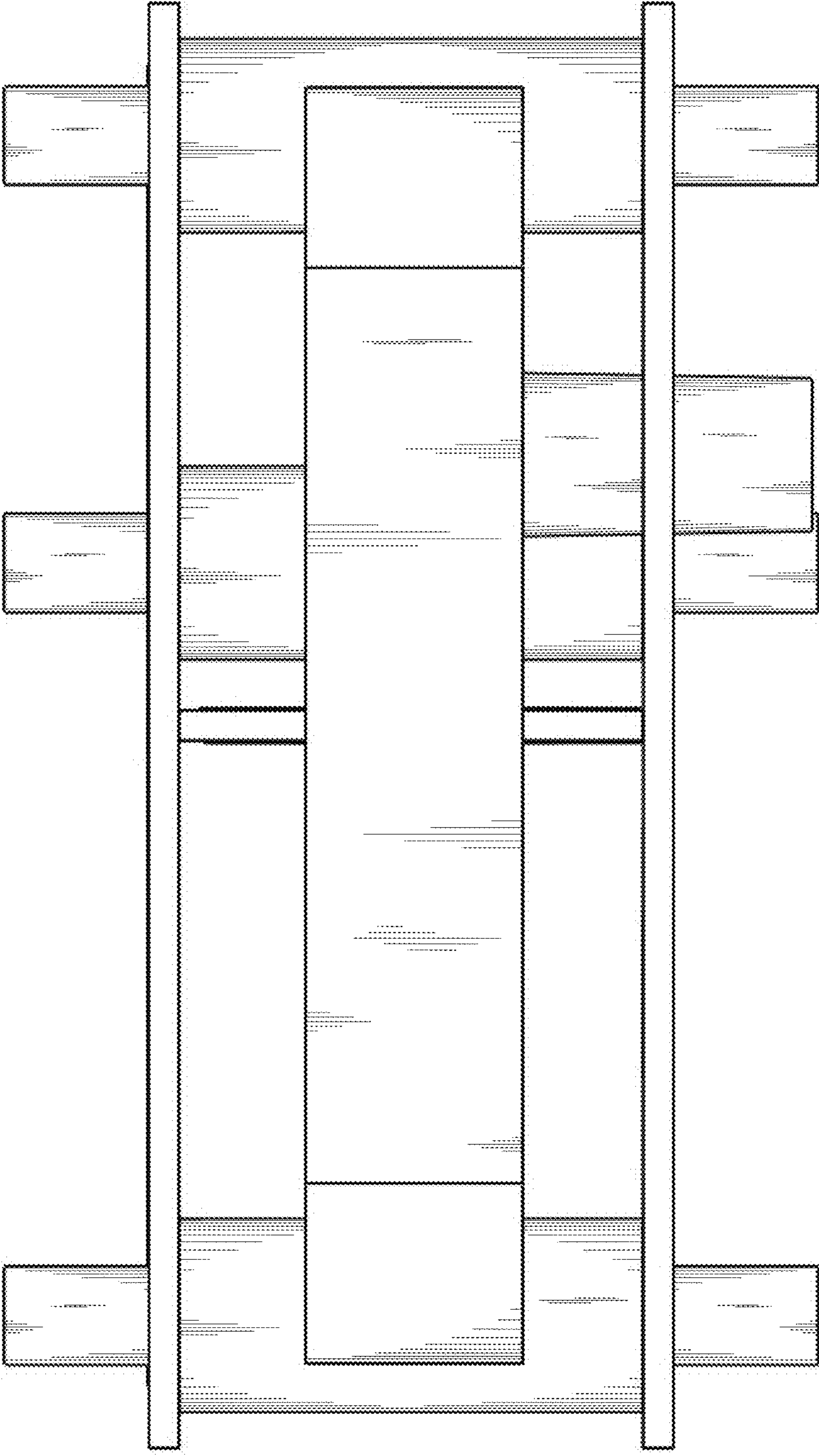


FIG. 12

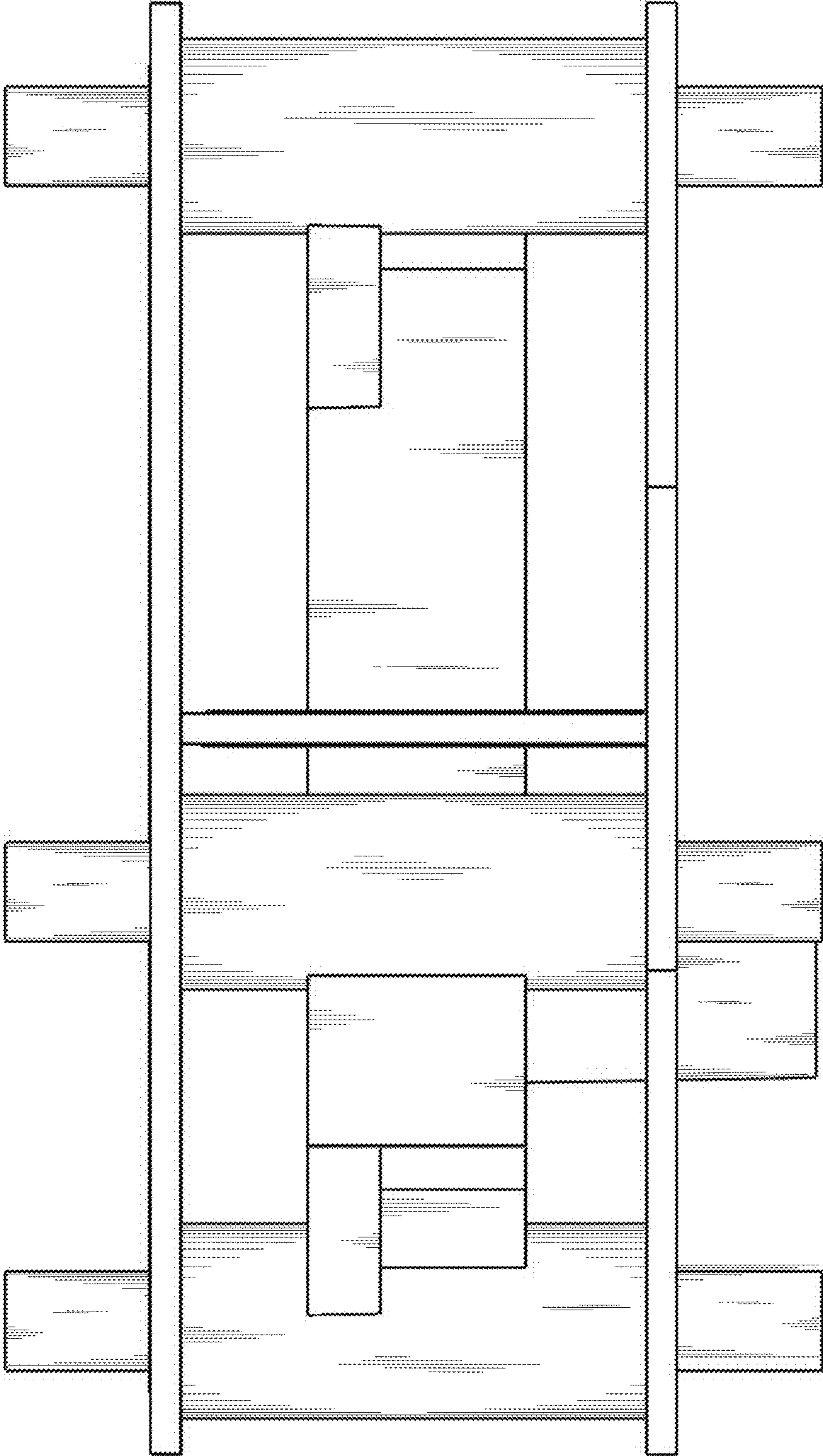


FIG. 13

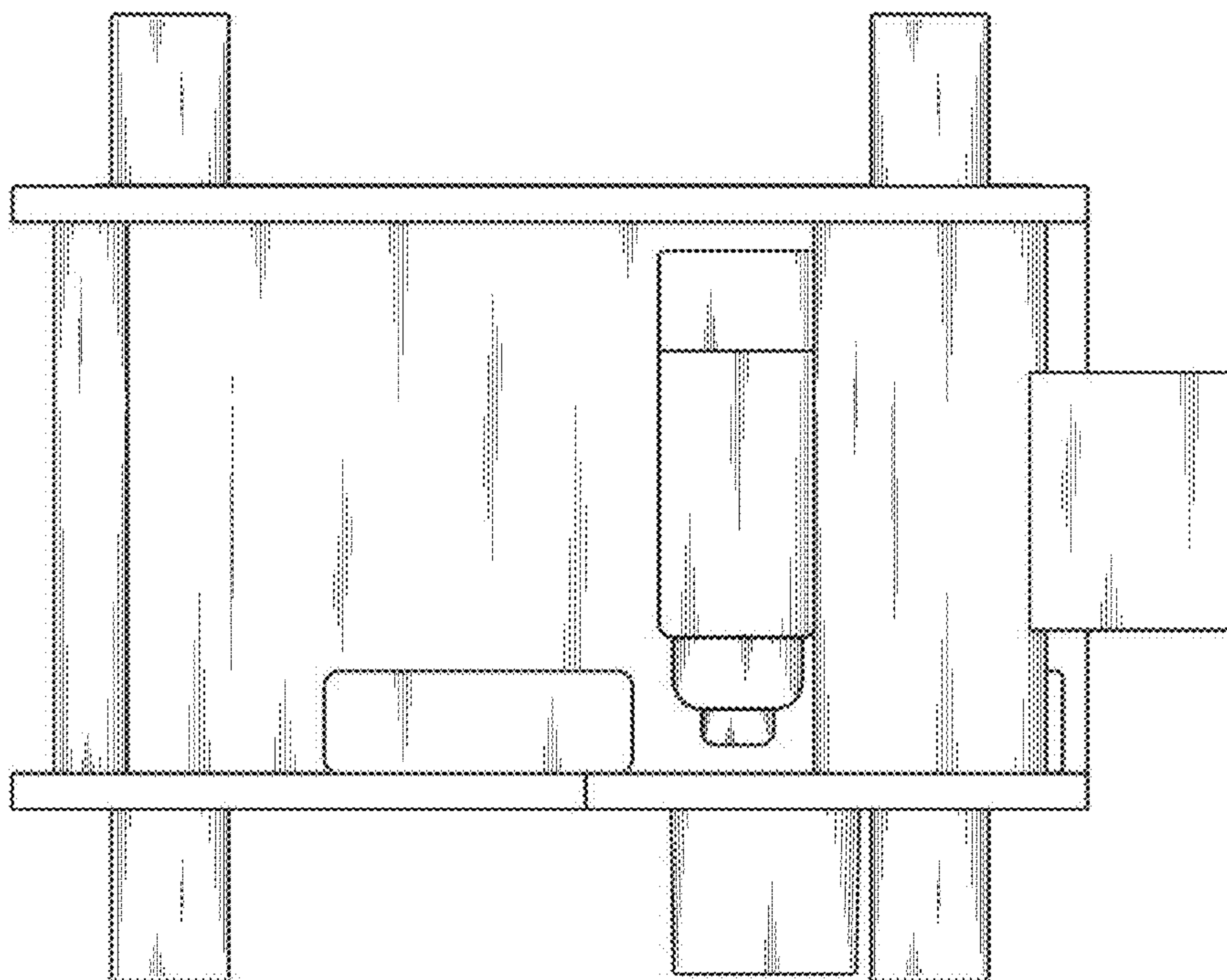


FIG. 14

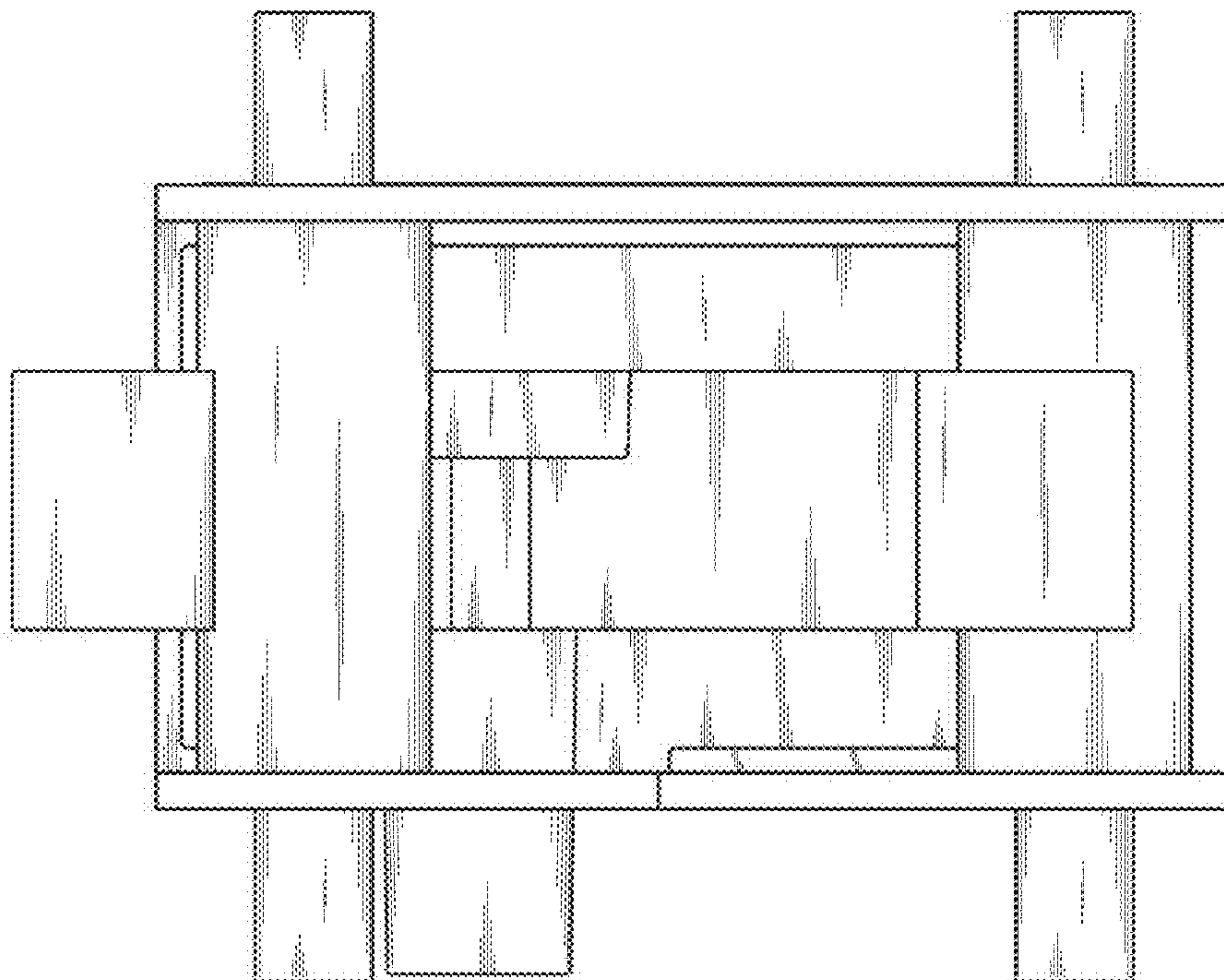


FIG. 15

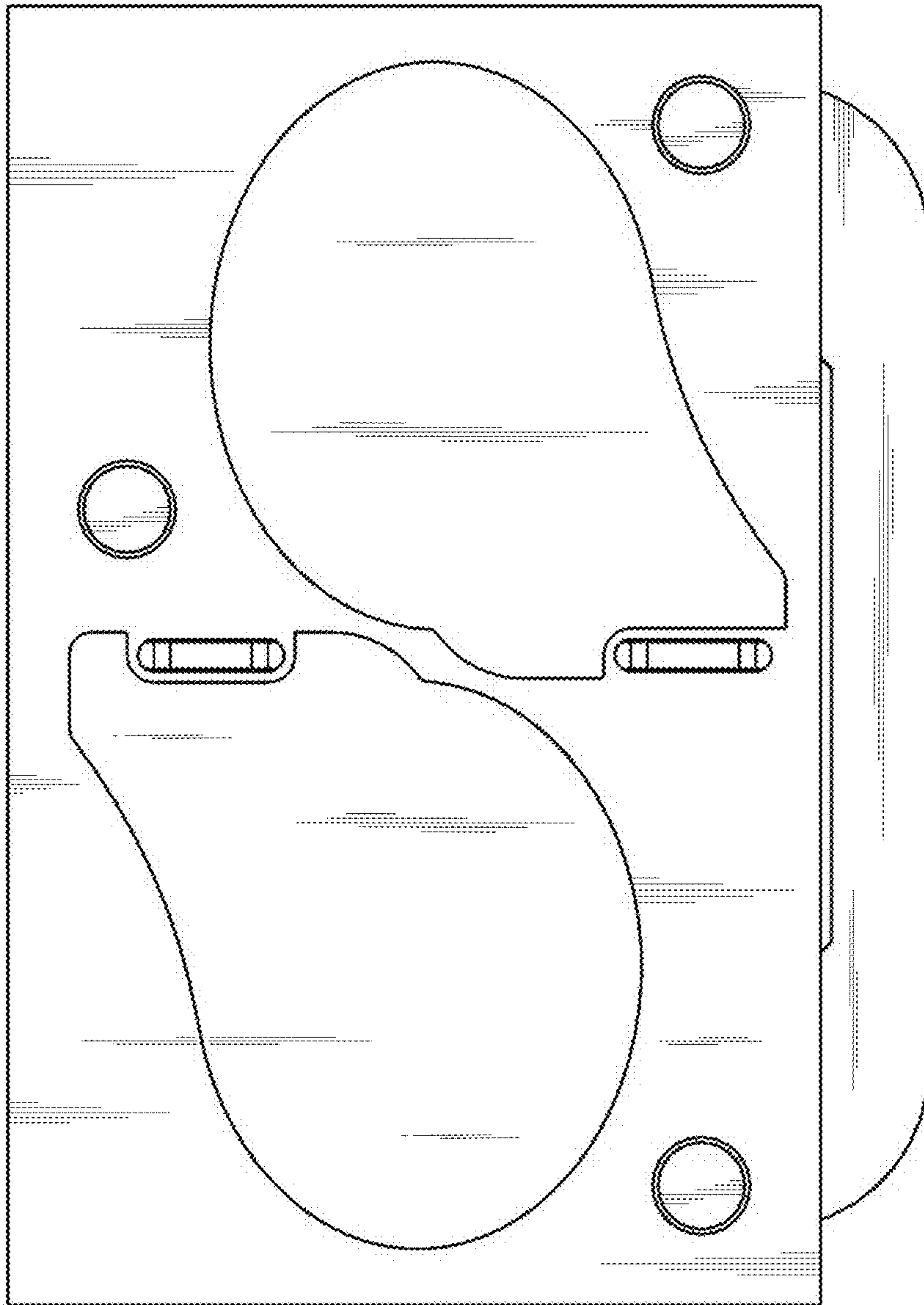


FIG. 16