



US00D883961S

(12) **United States Design Patent**  
**Dai**

(10) **Patent No.:** **US D883,961 S**

(45) **Date of Patent:** **\*\* May 12, 2020**

(54) **MICROPHONE**

(71) Applicant: **Shenzhen Hua Sirui Technology Co. Ltd.**, Shenzhen, Guangdong Province (CN)

(72) Inventor: **Huan Dai**, Shenzhen (CN)

(\*\*) Term: **15 Years**

(21) Appl. No.: **29/675,271**

(22) Filed: **Dec. 30, 2018**

(51) **LOC (12) Cl.** ..... **14-01**

(52) **U.S. Cl.**  
USPC ..... **D14/226**

(58) **Field of Classification Search**  
USPC ..... D14/226, 225, 228, 218, 188, 192, 497, D14/167, 189, 210, 215, 216; D21/513; 84/454, 610, 609; 381/111, 113, 355, 381/122, 188, 205, 158; 455/95, 117, 455/129, 90.3, 575.1, 569.1  
CPC . H04R 19/04; H04R 9/08; H04R 3/00; H04R 1/02; H04R 25/00; H04R 5/02; H04R 1/08; H04R 25/02; H04R 5/00; H04R 1/20; H05K 5/00  
See application file for complete search history.

(56) **References Cited**

U.S. PATENT DOCUMENTS

D247,705 S *	4/1978	Armstrong	.....	D14/228
D247,706 S *	4/1978	Armstrong	.....	D14/228
D277,852 S *	3/1985	Watson	.....	D14/228
D282,063 S *	1/1986	Watson	.....	D14/228
4,694,499 A *	9/1987	Bartlett	.....	H04R 1/38 381/160
D295,759 S *	5/1988	Kolich	.....	D14/226
D296,435 S *	6/1988	Kubota	.....	D14/228
4,817,153 A *	3/1989	Fernandez	.....	H04R 1/08 381/111
D310,368 S *	9/1990	Derhaag	.....	D14/225

D317,472 S *	6/1991	Sasaki	.....	D14/225
D357,016 S *	4/1995	Li	.....	D14/155
D376,803 S *	12/1996	Lee	.....	D14/497
6,025,553 A *	2/2000	Lee	.....	G10H 1/365 84/602
6,061,457 A *	5/2000	Stockhamer	.....	H04R 1/00 367/140
D449,041 S *	10/2001	Koike	.....	D14/228
6,424,724 B1 *	7/2002	Ming-Cheng	.....	H04R 1/08 381/355
D462,343 S *	9/2002	Wang	.....	D14/225
D462,947 S *	9/2002	Kung	.....	D14/228

(Continued)

FOREIGN PATENT DOCUMENTS

CN	305081019	*	3/2019
CN	305103778	*	4/2019

(Continued)

*Primary Examiner* — Paula Allen Greene  
(74) *Attorney, Agent, or Firm* — Novoclaims Patent Services LLC; Mei Lin Wong

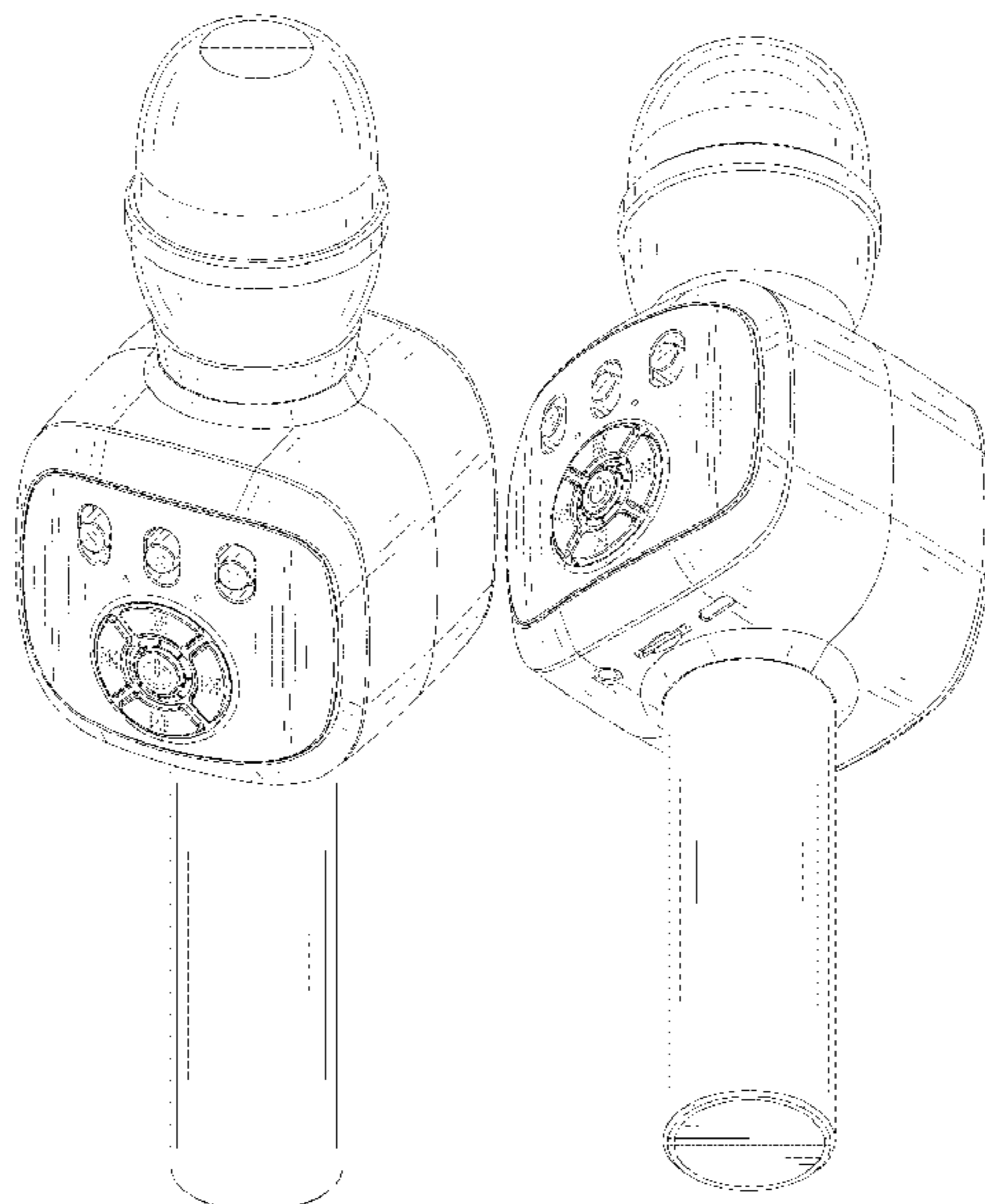
(57) **CLAIM**

The ornamental design of a microphone, as shown and described.

**DESCRIPTION**

FIG. 1 is a front perspective view of a microphone, showing my new design;  
FIG. 2 is a front bottom perspective view thereof;  
FIG. 3 is a rear bottom perspective view thereof;  
FIG. 4 is a front view thereof;  
FIG. 5 is a rear view thereof;  
FIG. 6 is a left side view thereof;  
FIG. 7 is a right side view thereof;  
FIG. 8 is a top view thereof; and,  
FIG. 9 is a bottom view thereof.  
The broken lines depict environment that forms no part of the claimed design.

**1 Claim, 9 Drawing Sheets**



(56)

References Cited

U.S. PATENT DOCUMENTS

6,463,159 B1 \* 10/2002 Ming-Cheng ..... H04R 1/08  
 381/355  
 D475,699 S \* 6/2003 Thornton ..... D14/228  
 D478,068 S \* 8/2003 Sundquist ..... D14/228  
 D479,836 S \* 9/2003 Thornton ..... D14/228  
 6,671,382 B2 \* 12/2003 Chen ..... H01R 35/02  
 381/189  
 D495,319 S \* 8/2004 Lee ..... D14/226  
 D498,232 S \* 11/2004 Ruhrig ..... D14/228  
 D500,031 S \* 12/2004 Hong ..... D14/228  
 D507,262 S \* 7/2005 Liu ..... D14/228  
 6,968,070 B1 \* 11/2005 Chiang ..... H04R 1/08  
 381/355  
 D512,994 S \* 12/2005 Lee ..... D14/497  
 D519,499 S \* 4/2006 Lee ..... D14/497  
 D530,705 S \* 10/2006 Shen ..... D14/225  
 D538,272 S \* 3/2007 Lee ..... D14/228  
 D549,209 S \* 8/2007 Bauman ..... D14/155  
 D557,691 S \* 12/2007 Lee ..... D14/228  
 D579,445 S \* 10/2008 Lee ..... D14/228  
 D582,428 S \* 12/2008 Lee ..... D14/496  
 D587,250 S \* 2/2009 Cai ..... D14/227  
 D589,032 S \* 3/2009 Lee ..... D14/228  
 D598,011 S \* 8/2009 Thusbass ..... D14/225  
 D607,441 S \* 1/2010 Yamakawa ..... D14/225  
 D612,367 S \* 3/2010 Lee ..... D14/228  
 D615,529 S \* 5/2010 Kearns ..... D14/207  
 D619,619 S \* 7/2010 Lee ..... D14/228  
 D620,954 S \* 8/2010 Lee ..... D14/228  
 D655,696 S \* 3/2012 Lee ..... D14/228

8,406,446 B2 \* 3/2013 Akino ..... H04R 1/2876  
 381/354  
 D694,221 S \* 11/2013 Shears ..... D14/225  
 8,965,026 B2 \* 2/2015 Kamin-Lyndgaard .....  
 H04N 5/772  
 381/361  
 D734,740 S \* 7/2015 Erbeus ..... D14/214  
 D740,792 S \* 10/2015 Jobetto ..... D14/225  
 D791,742 S \* 7/2017 Lai ..... D14/225  
 D807,327 S \* 1/2018 Xiong ..... D14/216  
 D813,208 S \* 3/2018 Nie ..... D14/226  
 D836,615 S \* 12/2018 Su ..... D14/226  
 10,334,340 B2 \* 6/2019 Su ..... H04R 1/08  
 D868,042 S \* 11/2019 Yang ..... D14/226  
 2005/0185811 A1 \* 8/2005 Song ..... H04R 19/005  
 381/355  
 2014/0360805 A1 \* 12/2014 Berkman ..... H04R 1/02  
 181/141  
 2015/0098602 A1 \* 4/2015 Levinsohn ..... G09F 7/18  
 381/361  
 2017/0316767 A1 \* 11/2017 You ..... G10H 1/361  
 2018/0262842 A1 \* 9/2018 Komatsu ..... H04R 7/127  
 2018/0376250 A1 \* 12/2018 Chiang ..... H04R 9/08  
 2019/0069060 A1 \* 2/2019 Su ..... H04M 1/271

FOREIGN PATENT DOCUMENTS

CN 305231468 \* 6/2019  
 CN 305509859 \* 12/2019  
 CN 305575057 \* 1/2020  
 EM 005947066-0003 \* 1/2019  
 KR 301037000.0000 \* 12/2019

\* cited by examiner

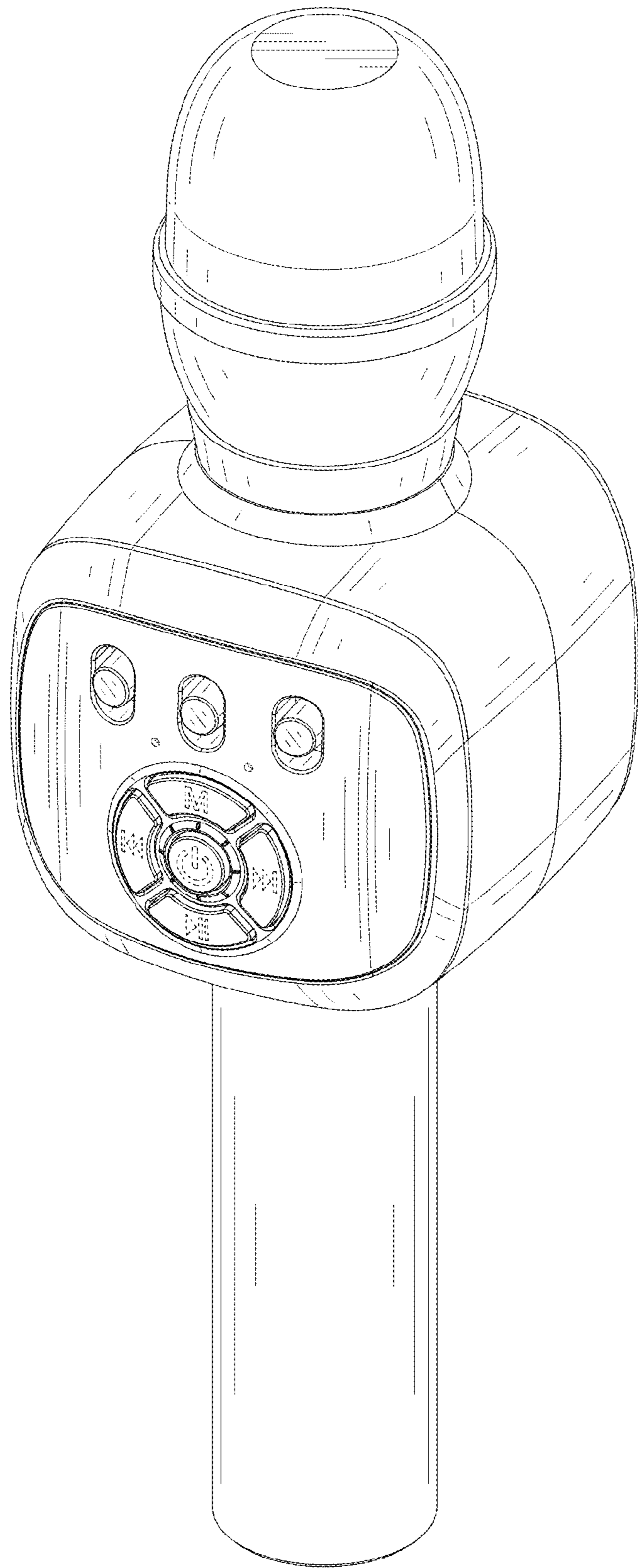


FIG.1



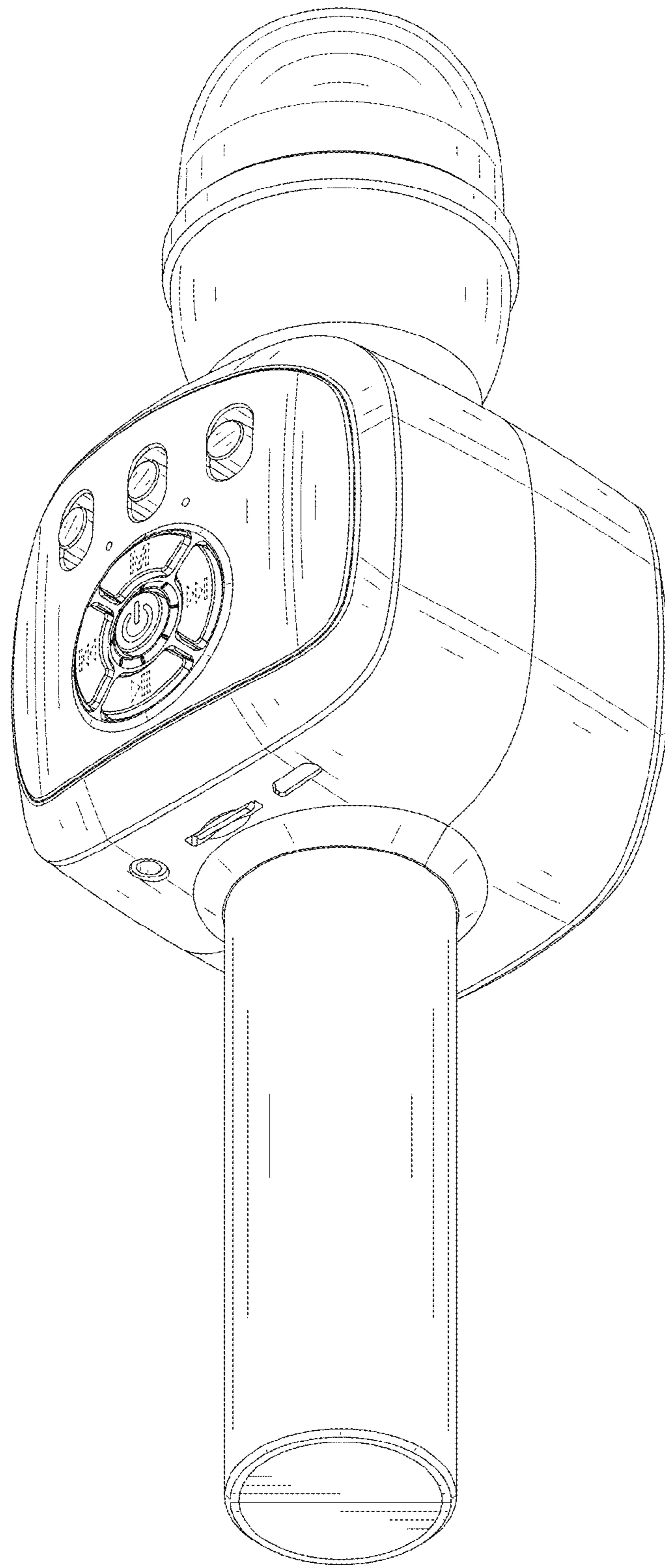


FIG.2

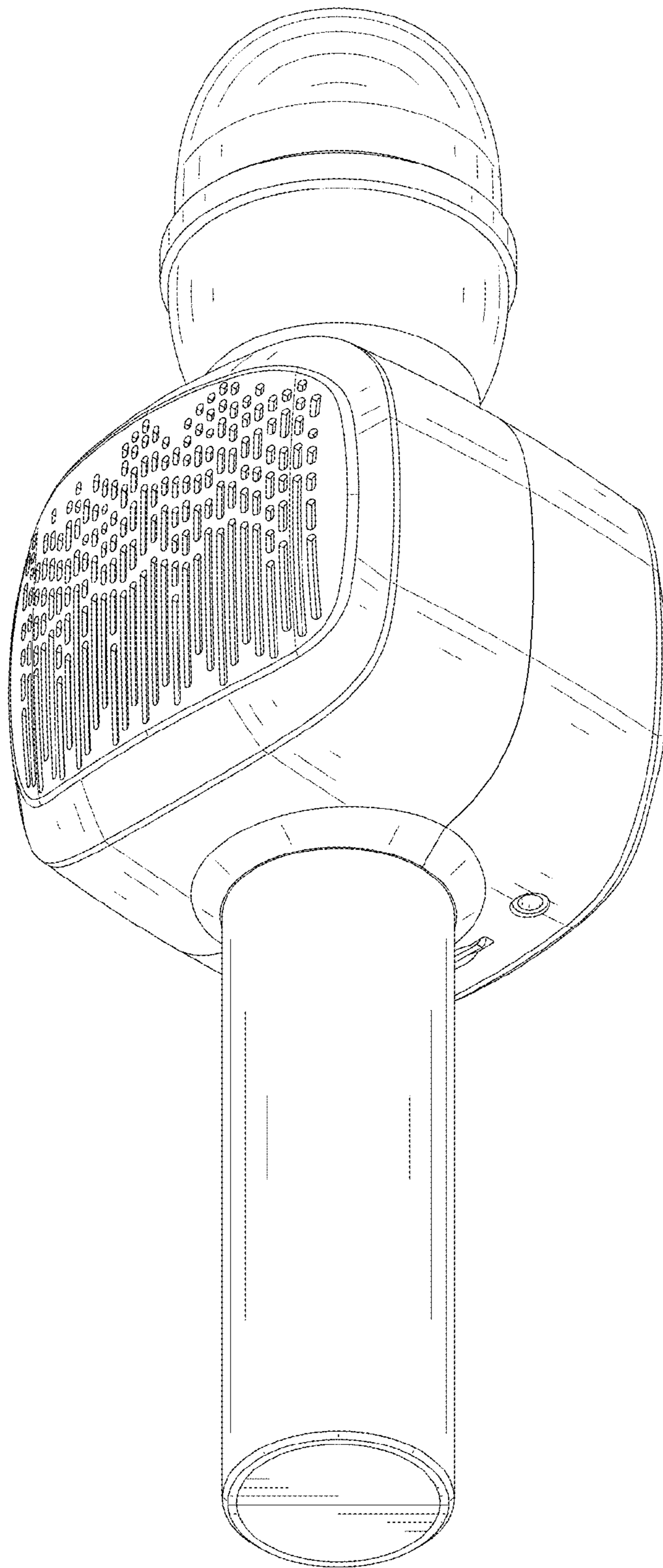


FIG.3

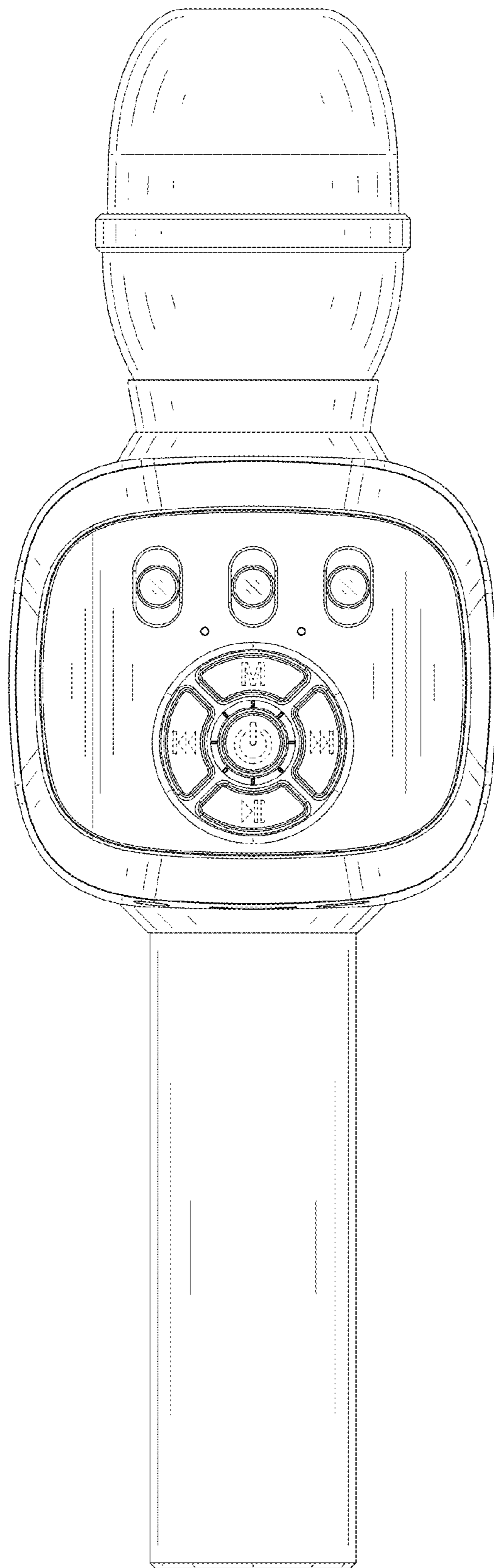


FIG.4

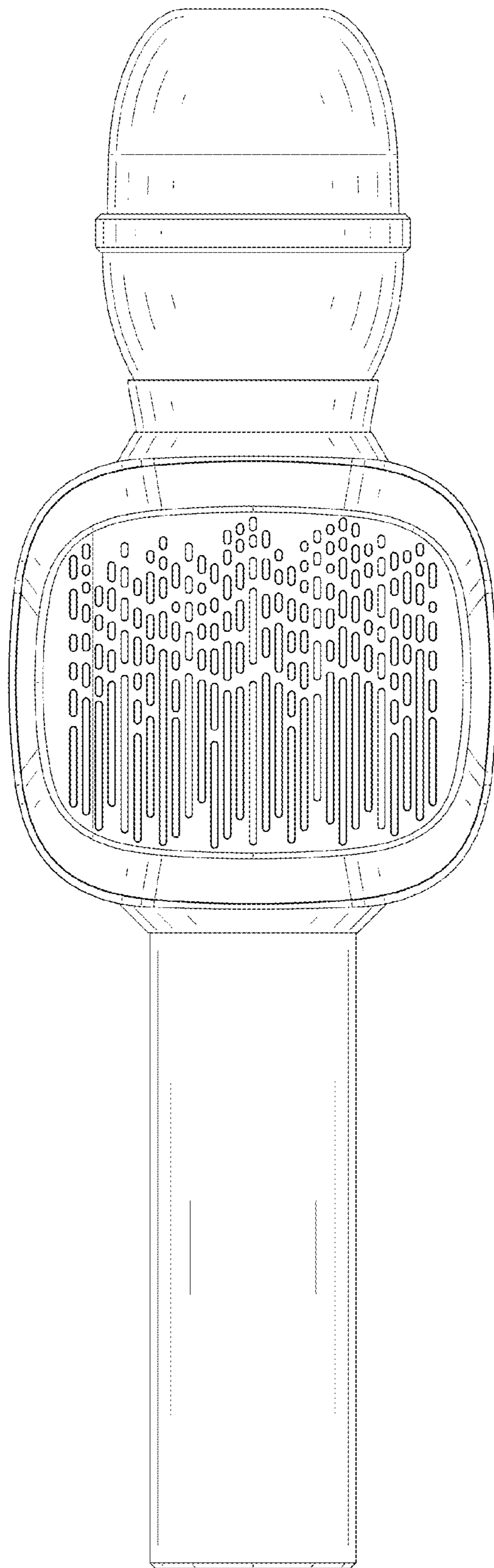


FIG.5

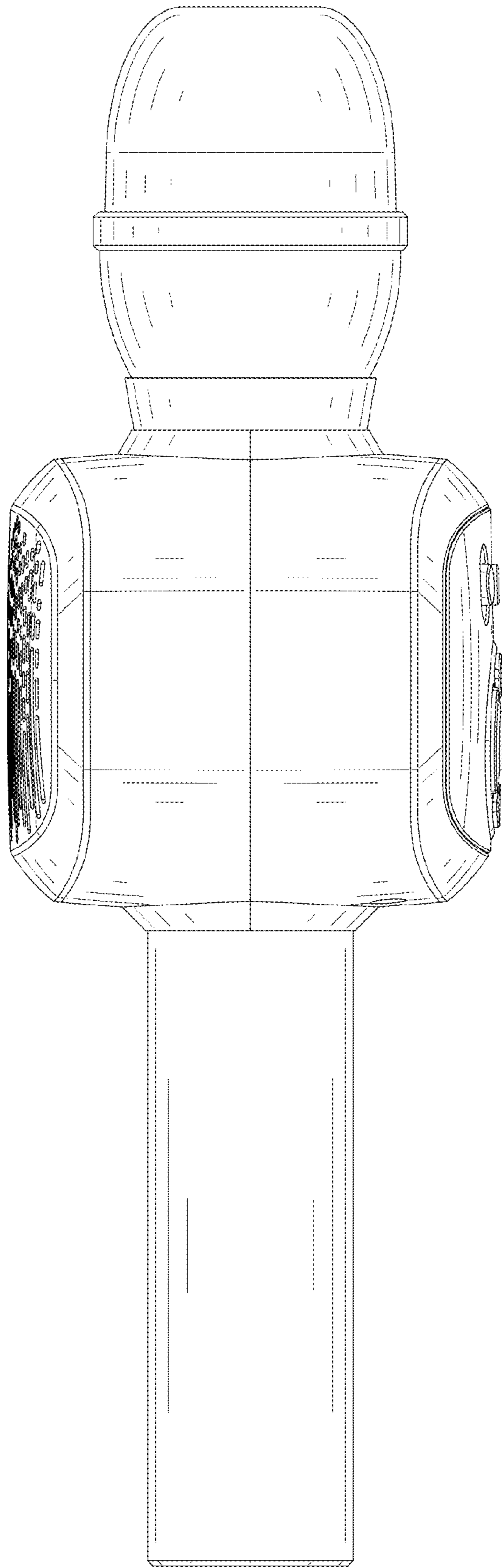


FIG.6



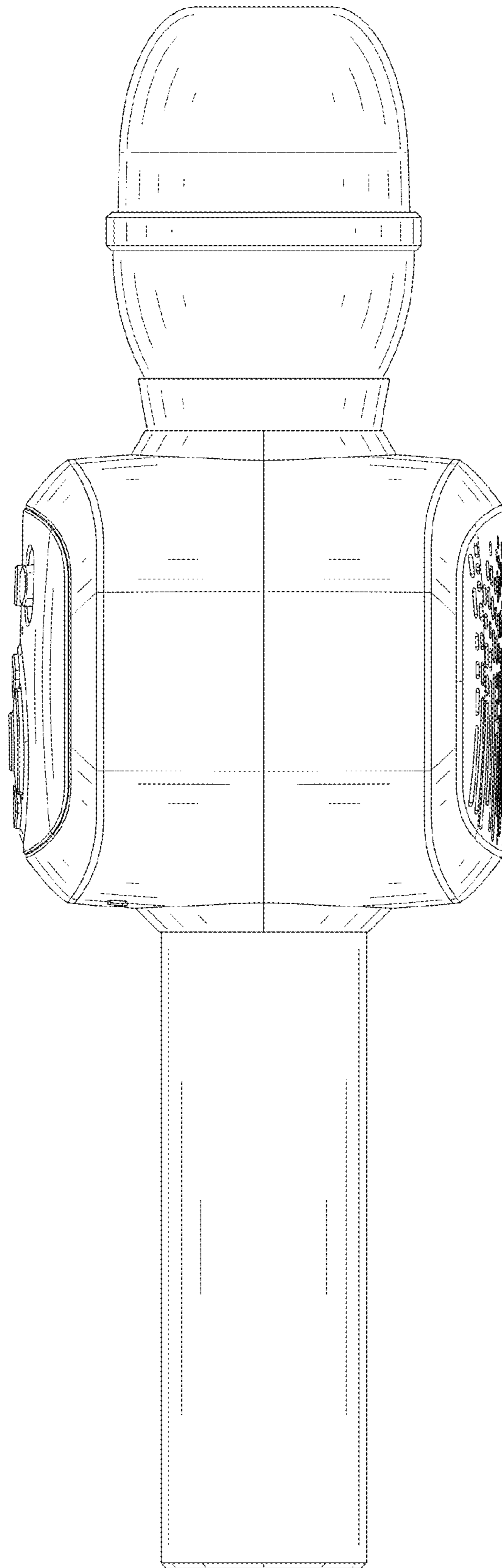


FIG.7

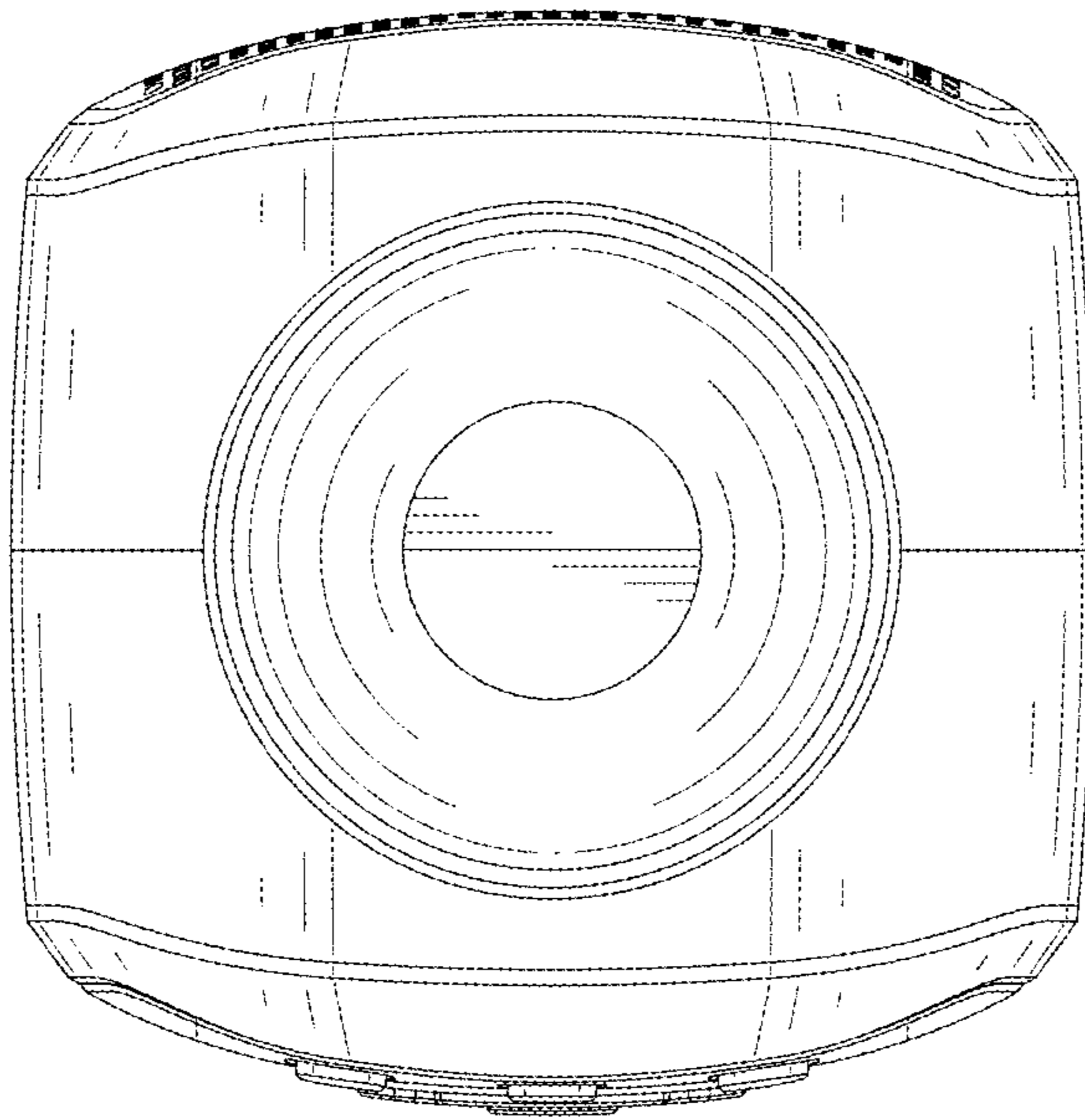


FIG.8

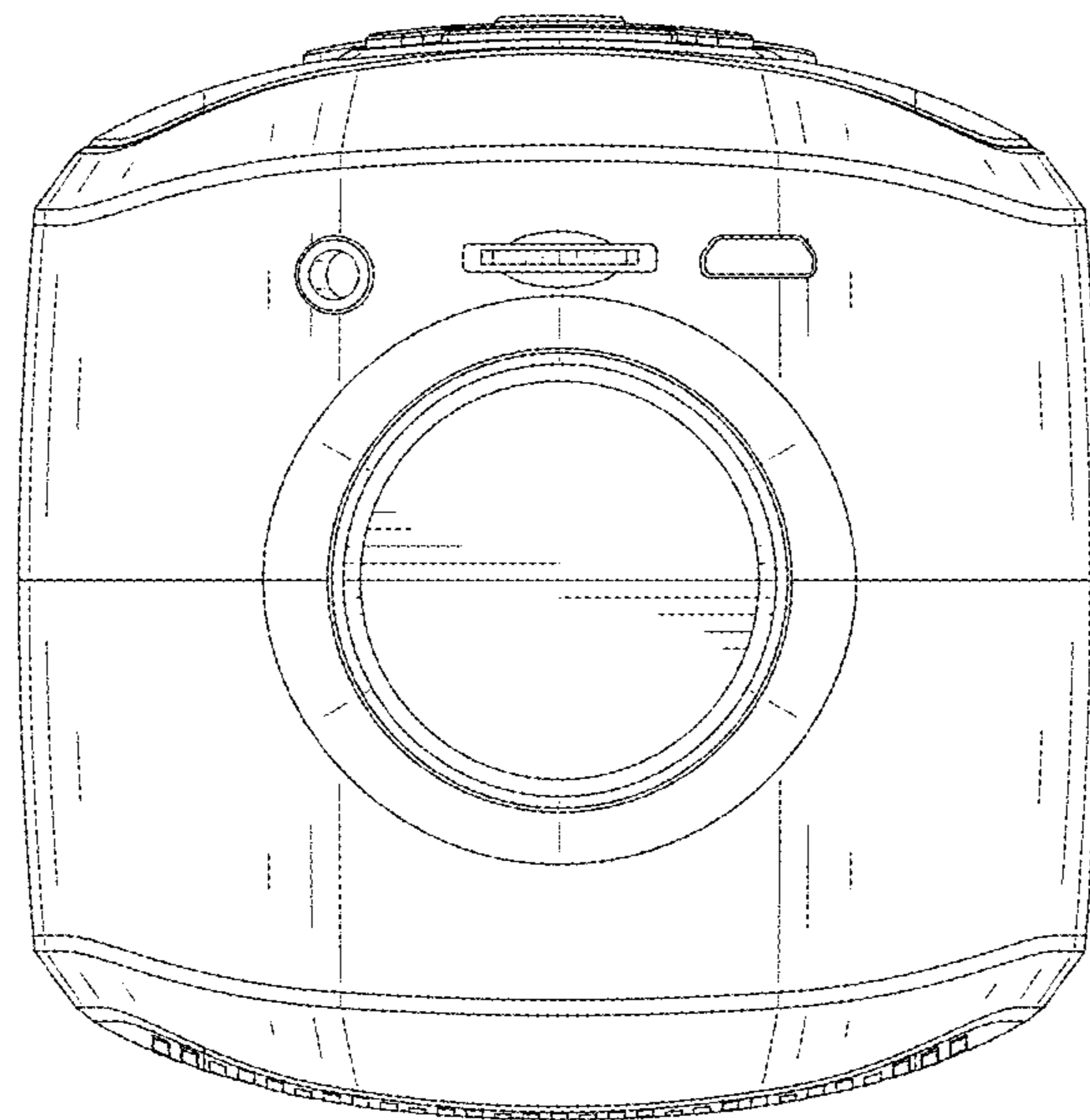


FIG.9