



US00D883959S

(12) **United States Design Patent** (10) **Patent No.:** **US D883,959 S**
Lee (45) **Date of Patent:** **** May 12, 2020**

(54) **EARPHONE PROTECTIVE COVER**

FOREIGN PATENT DOCUMENTS

(71) Applicant: **elago CO. LTD**, Goyang-si, Gyeonggi-do (KR)

CN 302993075 11/2014
CN 303225627 5/2015

(Continued)

(72) Inventor: **Chanwoo Lee**, Goyang-si (KR)

Primary Examiner — John Windmuller

(73) Assignee: **elago CO. LTD**, Goyang-si, Gyeonggi-Do (KR)

(74) *Attorney, Agent, or Firm* — Paratus Law Group, PLLC

(**) Term: **15 Years**

(57) **CLAIM**

The ornamental design for an earphone protective cover, as shown and described.

(21) Appl. No.: **29/719,411**

(22) Filed: **Jan. 3, 2020**

DESCRIPTION

(51) **LOC (12) Cl.** **14-01**

(52) **U.S. Cl.**
USPC **D14/223**

(58) **Field of Classification Search**
USPC D14/205, 206, 223; D29/112
CPC H04R 1/1066; H04R 1/1016; H04R 25/00;
H04R 1/10; H04R 5/0335; H04R 5/033
See application file for complete search history.

FIG. 1 is a front, top, and left perspective view of an earphone protective cover, showing a first embodiment of the claimed design;
FIG. 2 is a front view of the first embodiment;
FIG. 3 is a back view of the first embodiment;
FIG. 4 is a left side view of the first embodiment;
FIG. 5 is a right view of the first embodiment;
FIG. 6 is a top view of the first embodiment;
FIG. 7 is a bottom view of the first embodiment;
FIG. 8 is a front, top, and left perspective view of the first embodiment in which an earphone is fitted in use;
FIG. 9 is a front, top, and left perspective view of an earphone protective cover, showing a second embodiment of the claimed design;
FIG. 10 is a front view of the second embodiment;
FIG. 11 is a back view of the second embodiment;
FIG. 12 is a left side view of the second embodiment;
FIG. 13 is a right view of the second embodiment;
FIG. 14 is a top view of the second embodiment;
FIG. 15 is a bottom view of the second embodiment; and,
FIG. 16 is a front, top, and left perspective view of the second embodiment in which an earphone is fitted in use. The broken lines shown in FIGS. 8 and 16 depict environment and form no part of the claimed design.

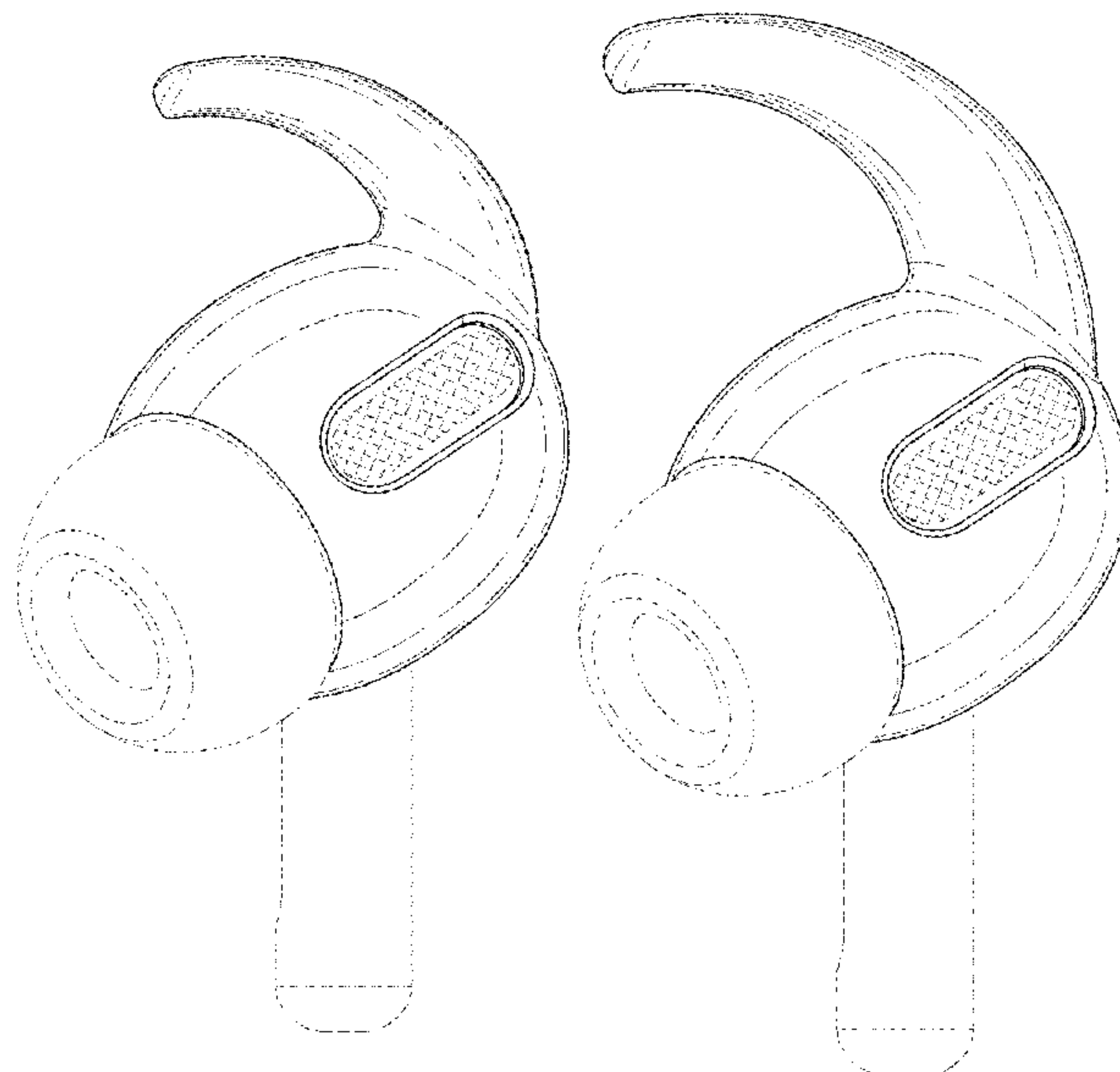
(56) **References Cited**

U.S. PATENT DOCUMENTS

D689,848 S	9/2013	Lee et al.
D716,770 S	11/2014	Bonahoom et al.
D726,694 S	4/2015	Behar et al.
D742,362 S	11/2015	Bonahoom et al.
D744,456 S	12/2015	Pedersen
D758,355 S	6/2016	Lee et al.
D759,633 S	6/2016	Gondo
D770,413 S	11/2016	Son
D773,440 S	12/2016	Pedersen
D773,441 S	12/2016	Pedersen
D774,021 S	12/2016	Pedersen
D777,149 S	1/2017	Bonahoom et al.
D800,703 S	10/2017	Vaclavik
D814,443 S	4/2018	Sandanger
D822,644 S	7/2018	Sandanger

(Continued)

1 Claim, 12 Drawing Sheets



(56)

References Cited

U.S. PATENT DOCUMENTS

D832,240	S	10/2018	Birger	
D835,077	S	* 12/2018	Aoyagi	D14/223
D845,282	S	4/2019	Chen et al.	
D848,400	S	5/2019	Sandanger	
D850,417	S	6/2019	Yang	
D860,172	S	9/2019	Yun	
D866,528	S	11/2019	Maeda	
D866,532	S	11/2019	Zhang et al.	
D869,443	S	* 12/2019	Sumii	D14/223
D869,444	S	12/2019	Tang	
D870,079	S	12/2019	Yun	
D870,710	S	12/2019	Cai	
D870,711	S	* 12/2019	Karayiannis	D14/223
D871,374	S	* 12/2019	Karayiannis	D14/223
D871,376	S	* 12/2019	Zhou	D14/223
D872,060	S	1/2020	Briggs et al.	
D872,065	S	1/2020	Cai	
D876,399	S	* 2/2020	Duddy	D14/223
2012/0039501	A1	* 2/2012	Silvestri	H04R 1/105 381/380
2015/0215693	A1	7/2015	Sandanger	
2018/0310089	A1	10/2018	Yun	

FOREIGN PATENT DOCUMENTS

CN	304321789	10/2017
CN	304375154	11/2017
CN	304414398	12/2017
CN	304637706	5/2018
CN	304919239	11/2018
CN	304980650	1/2019
CN	304980651	1/2019
RU	00098465	6/2016

* cited by examiner

FIG. 1

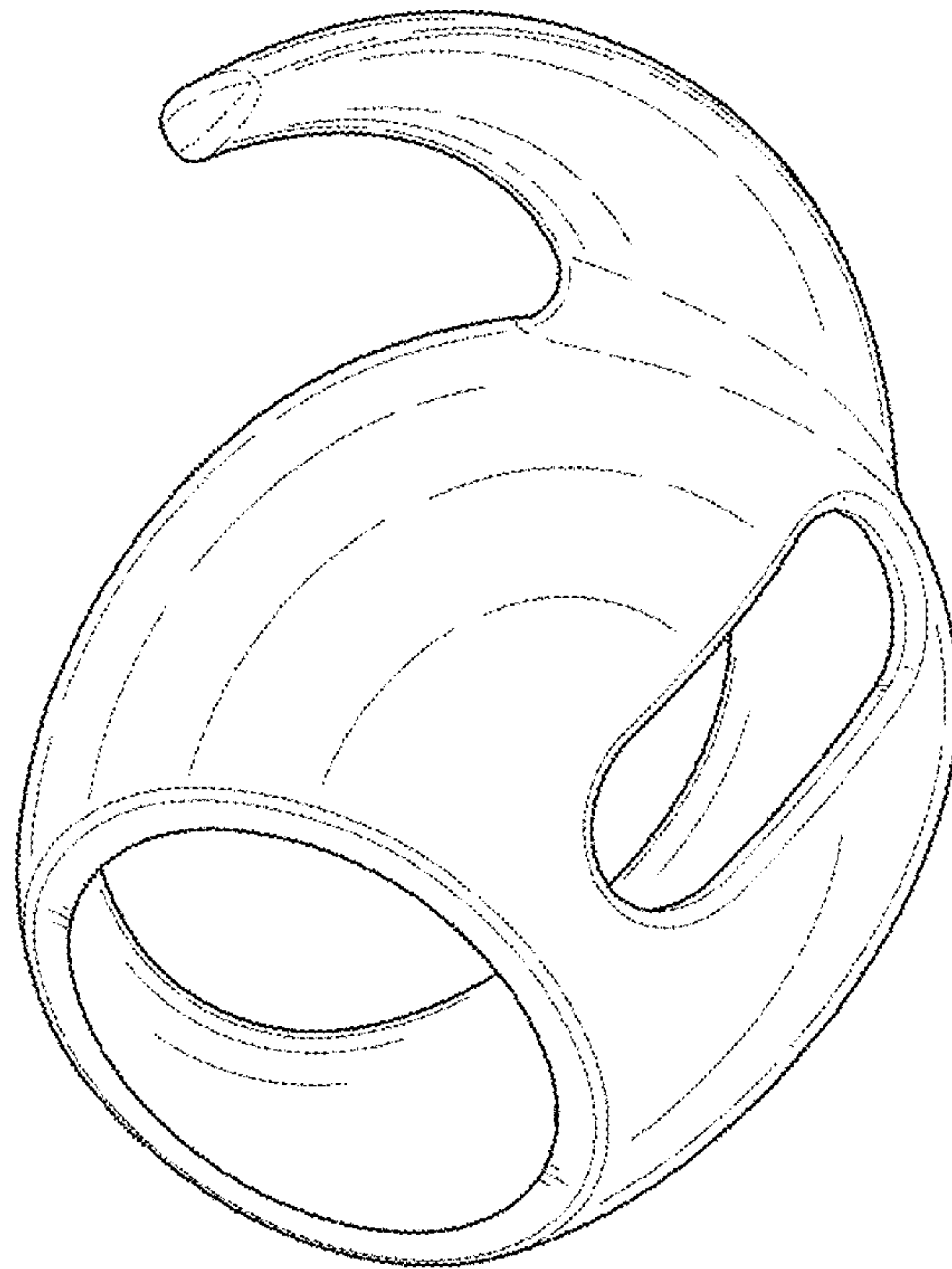


FIG. 2

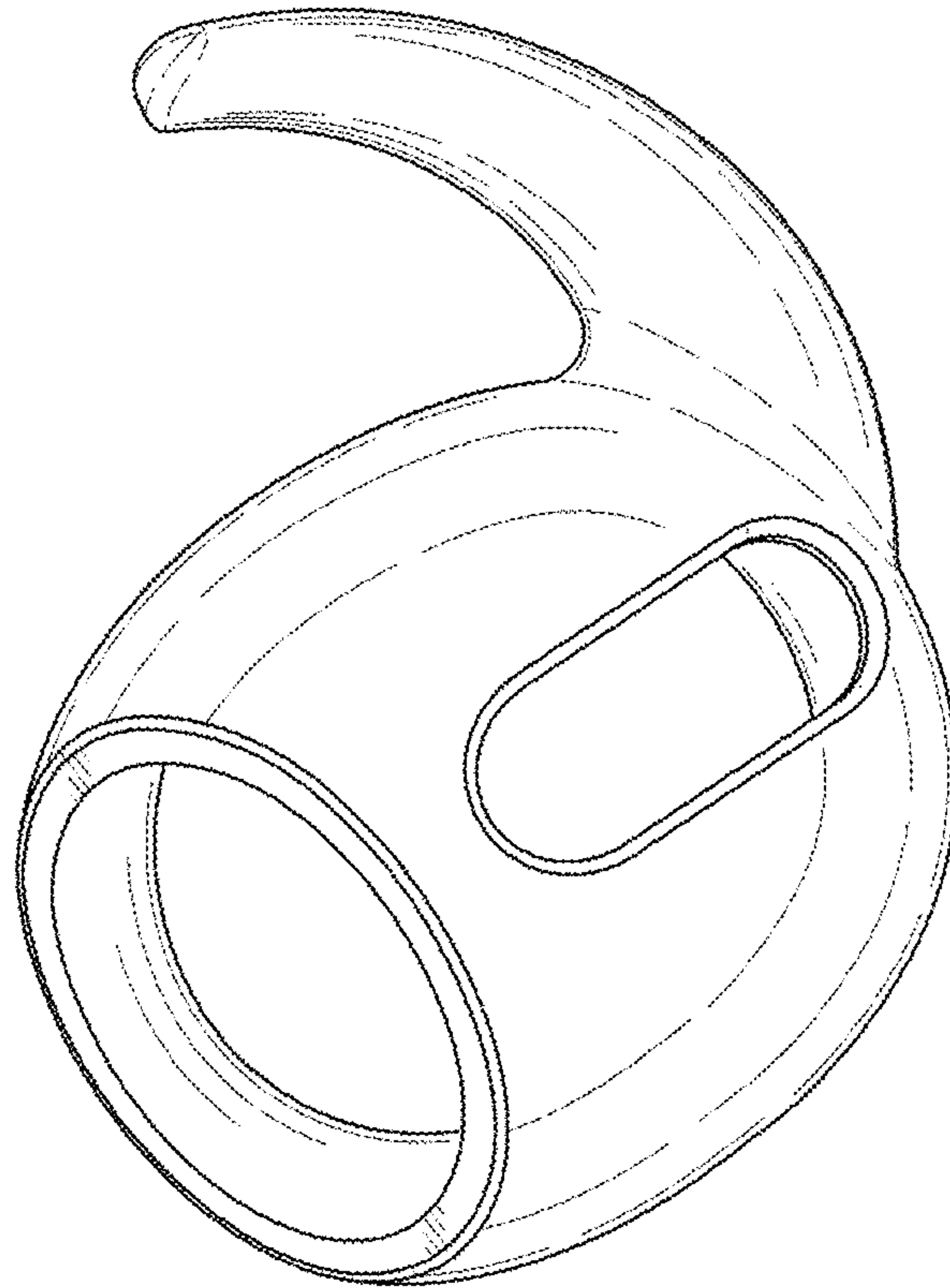


FIG. 3

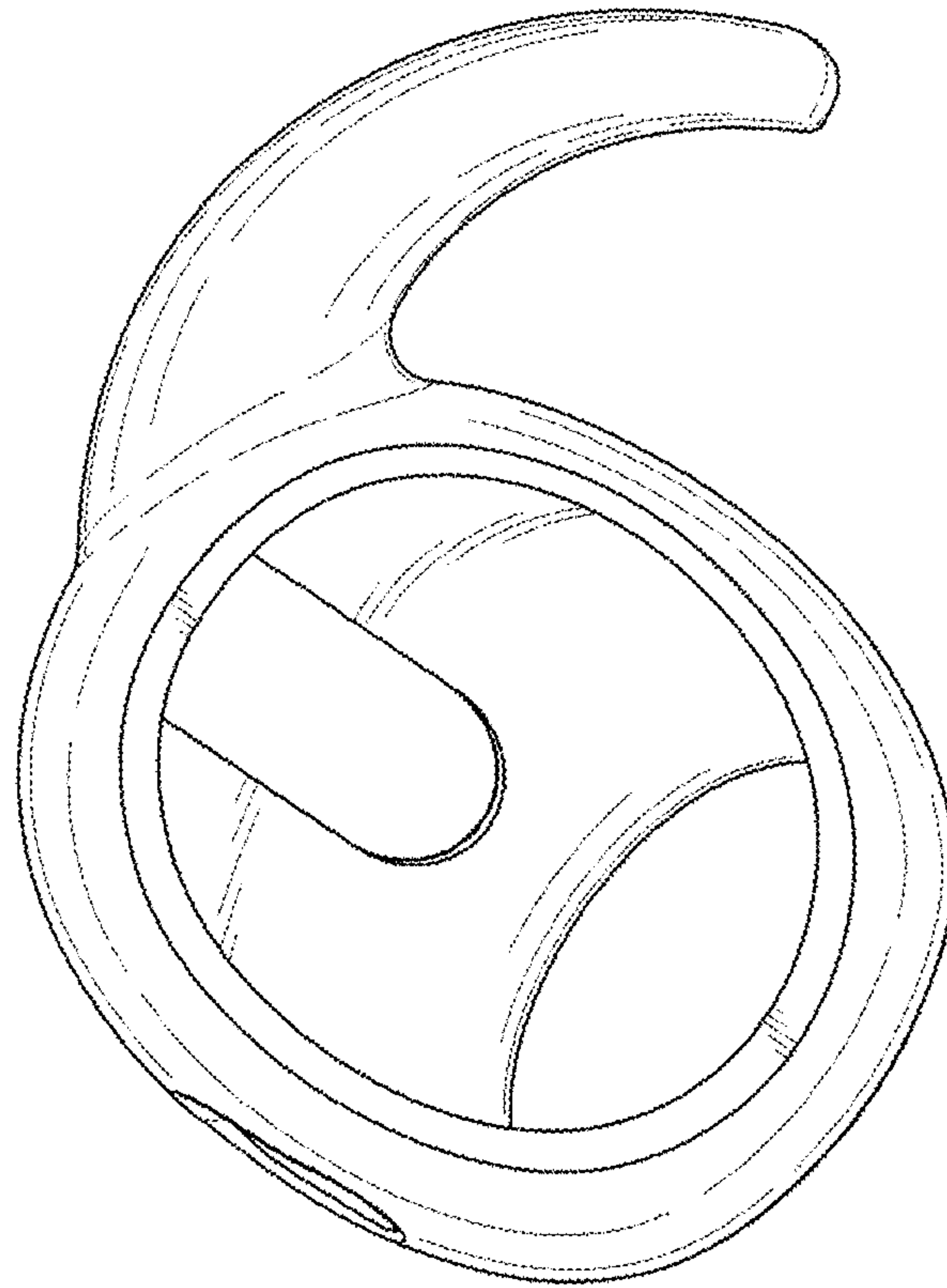


FIG. 4

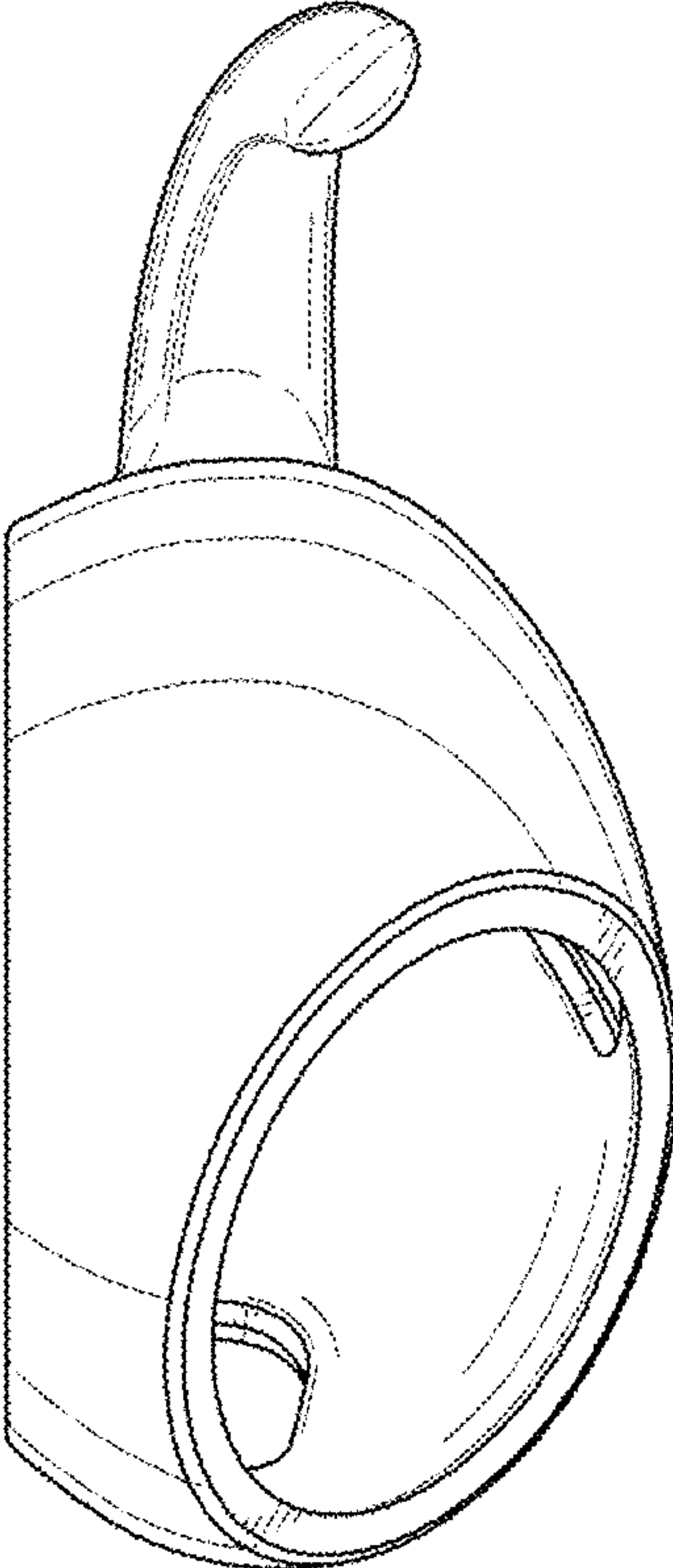


FIG. 5

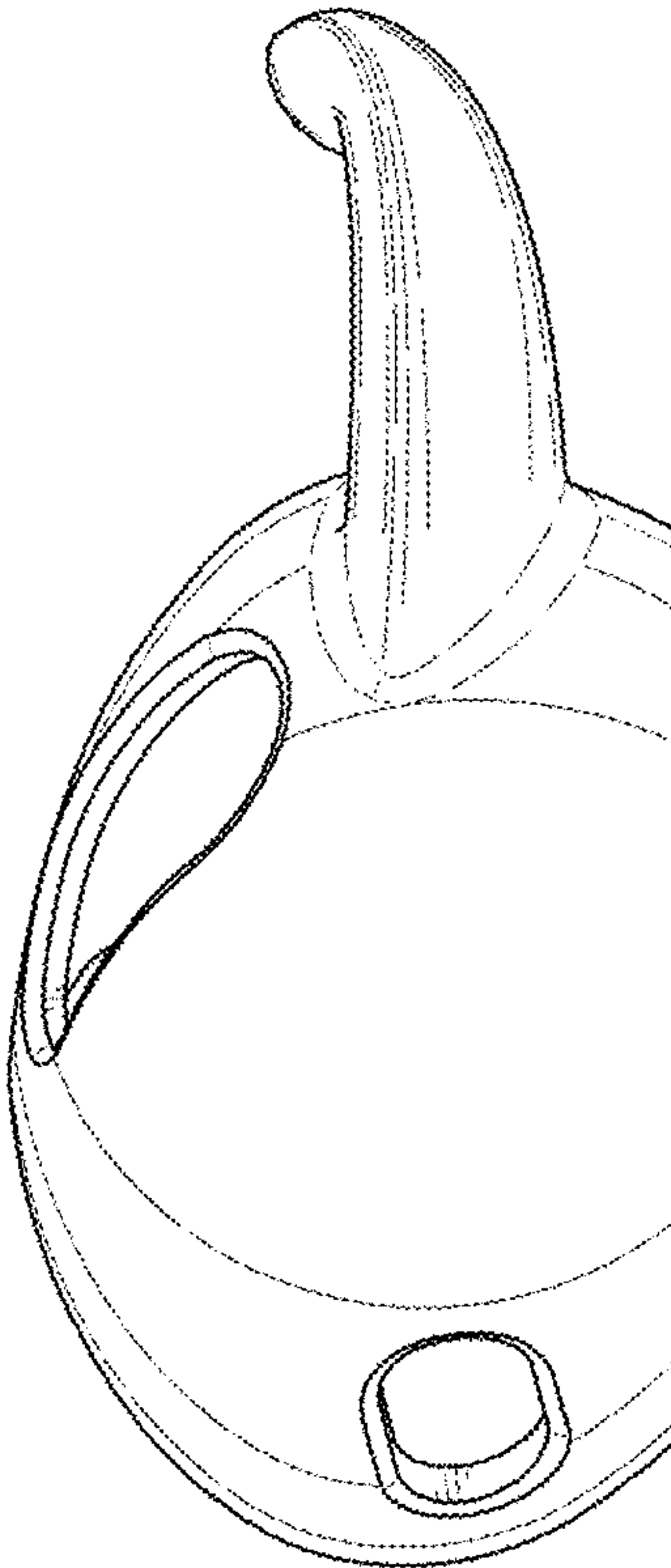


FIG. 6

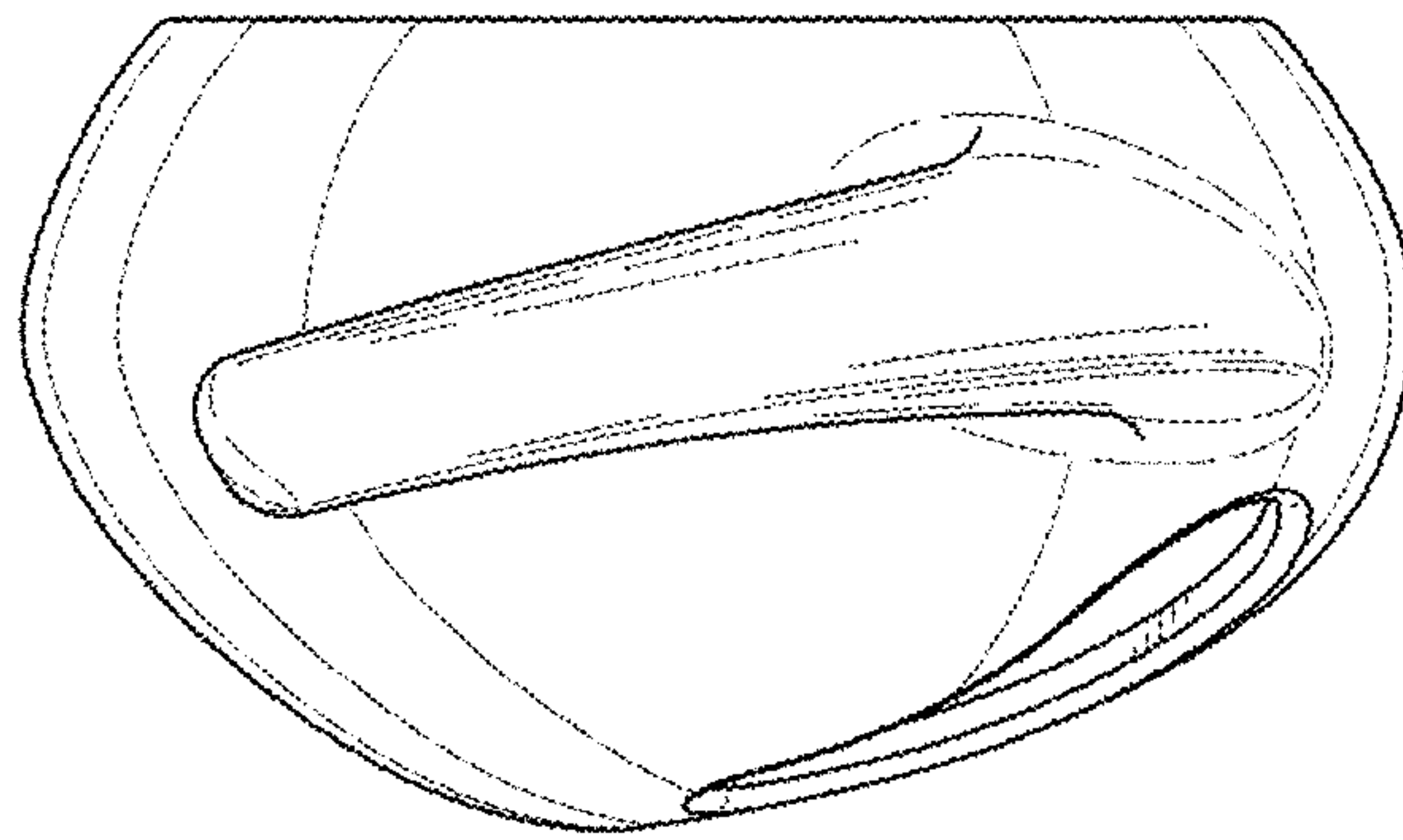


FIG. 7

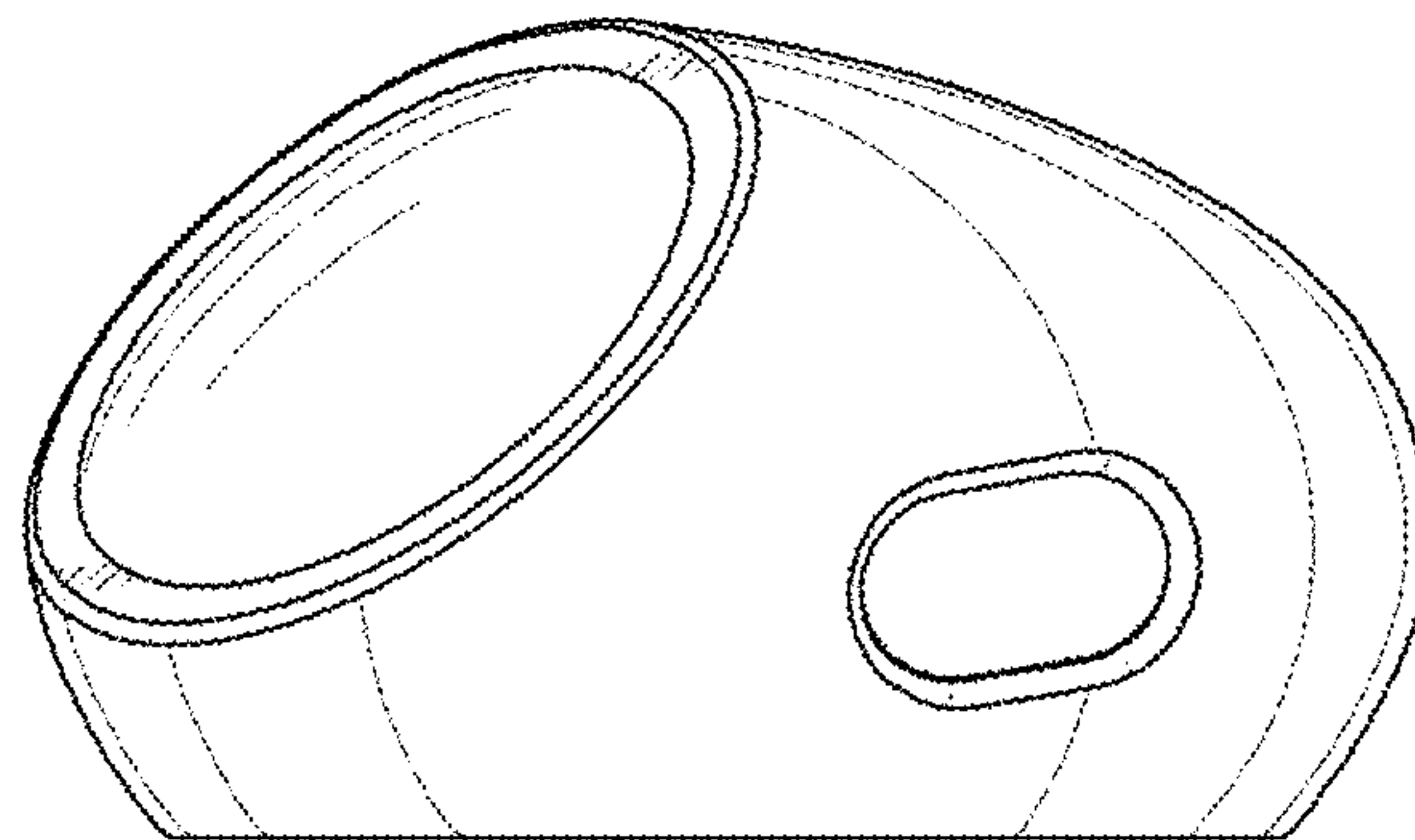


FIG. 8

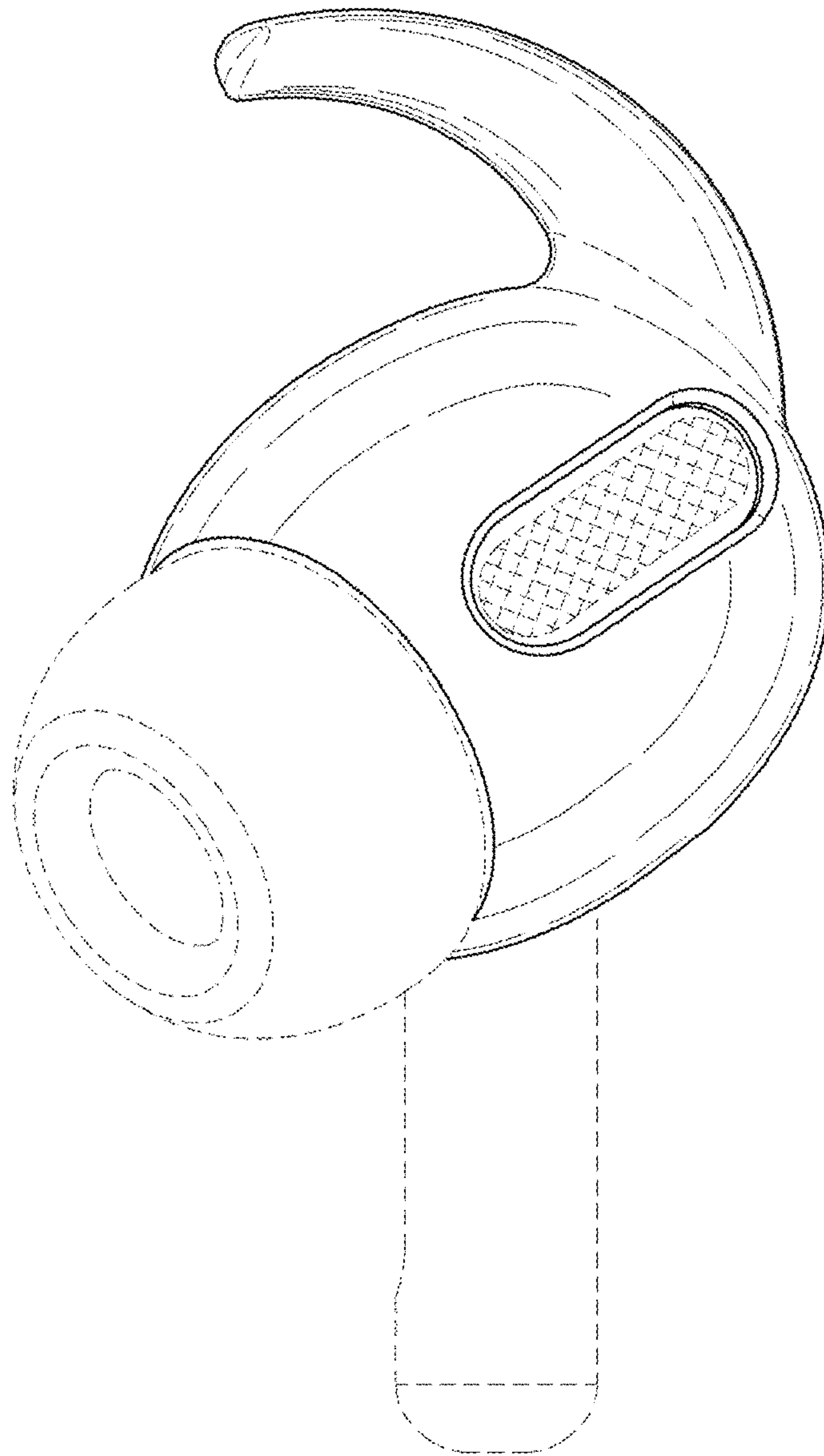


FIG. 9

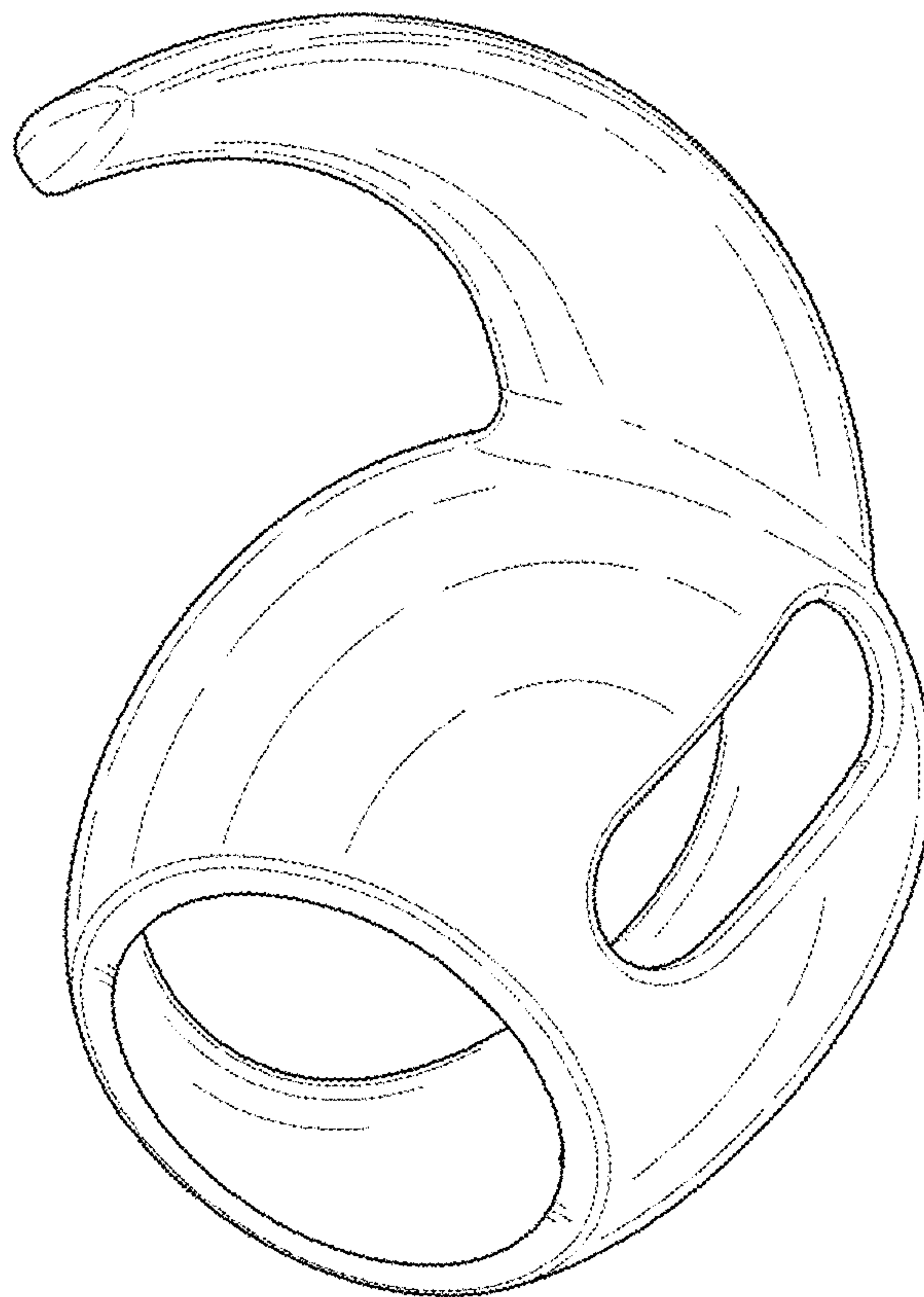


FIG. 10

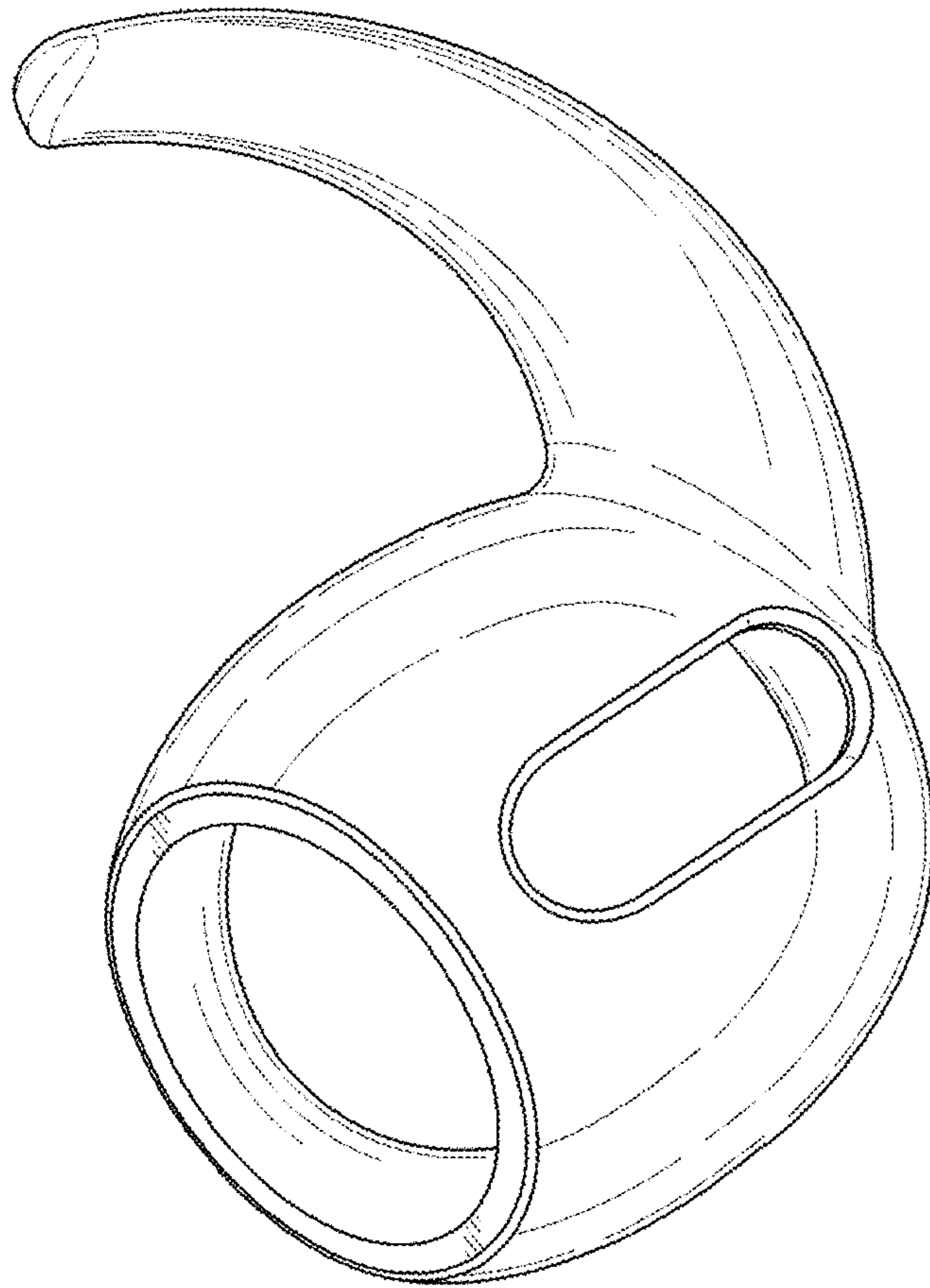


FIG. 11

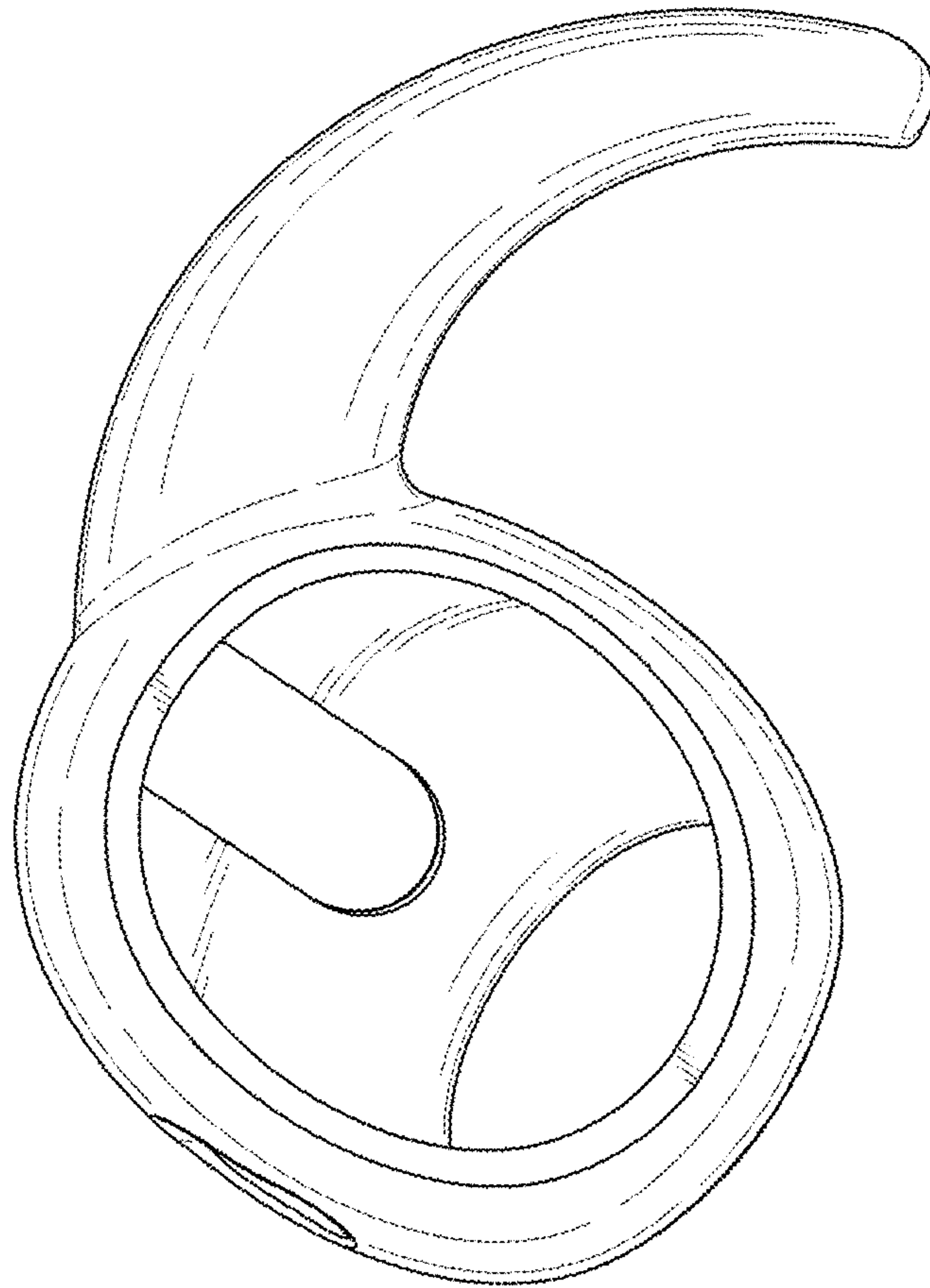


FIG. 12

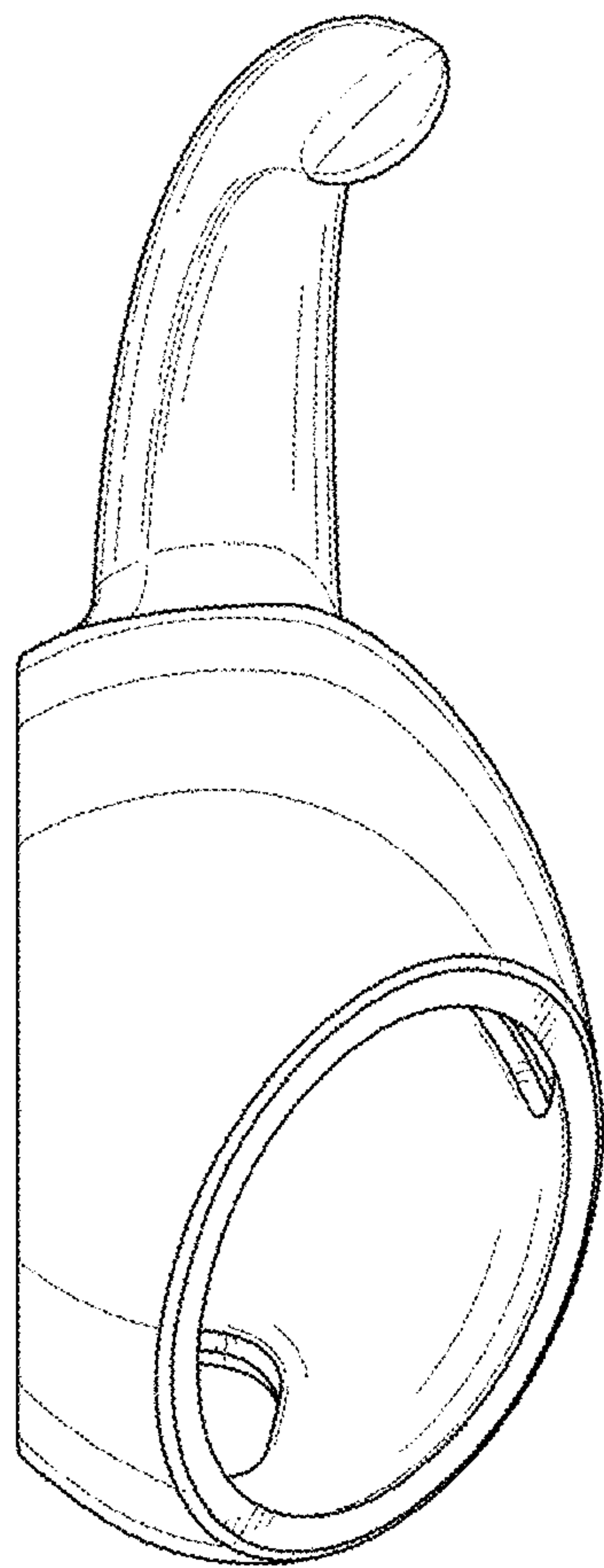


FIG. 13

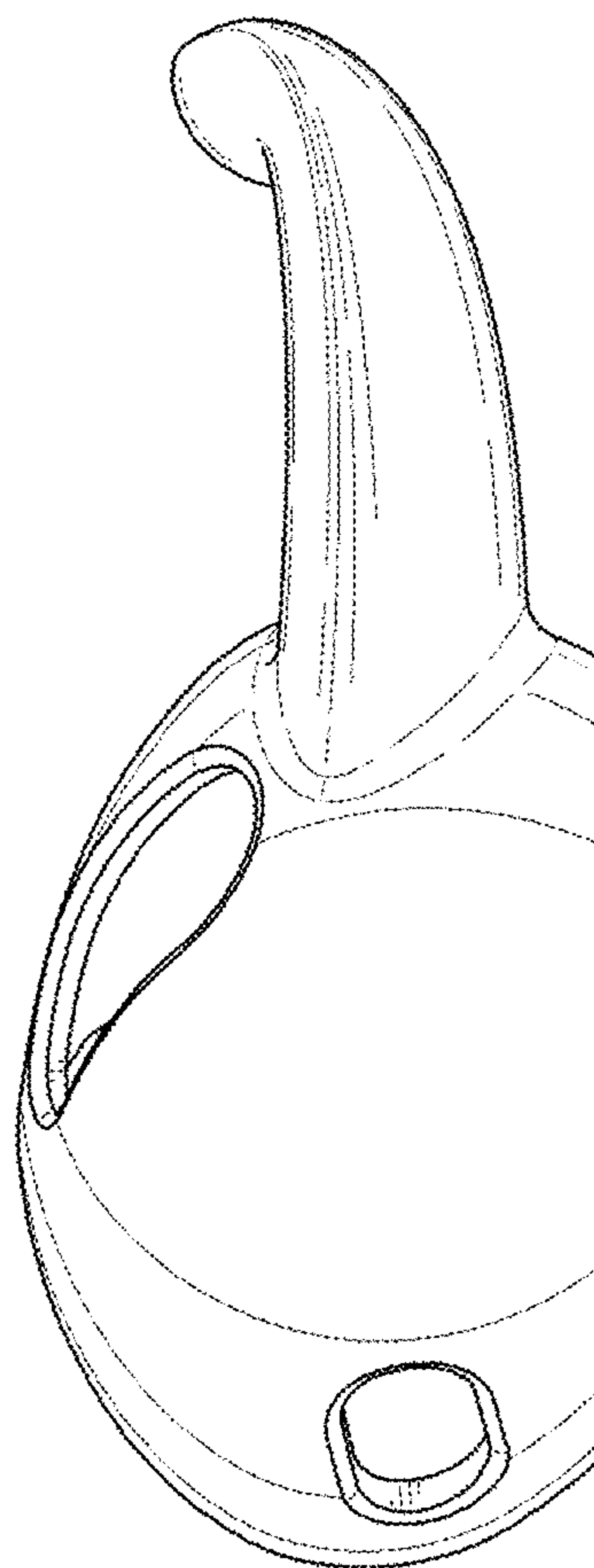


FIG. 14

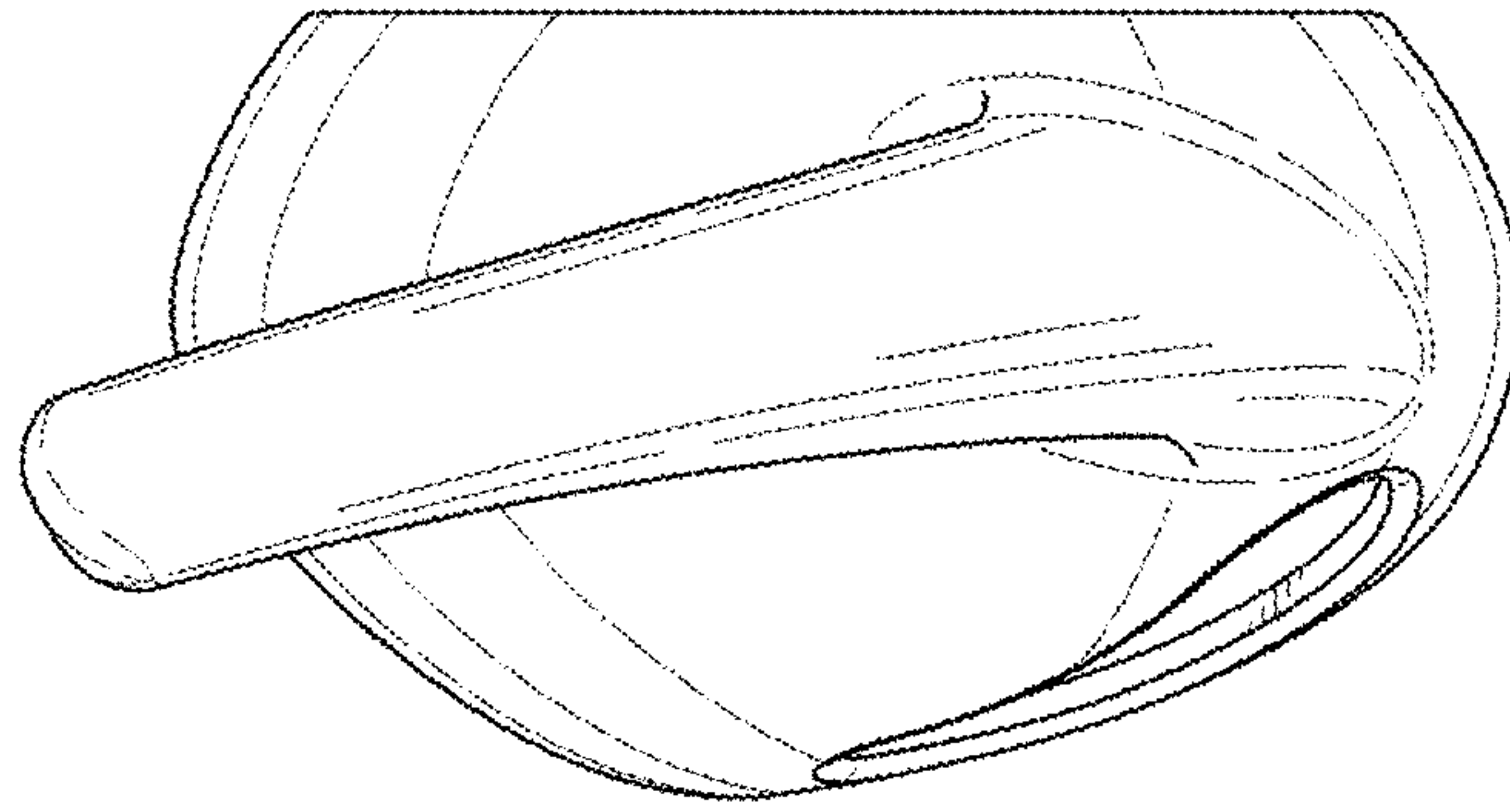


FIG. 15

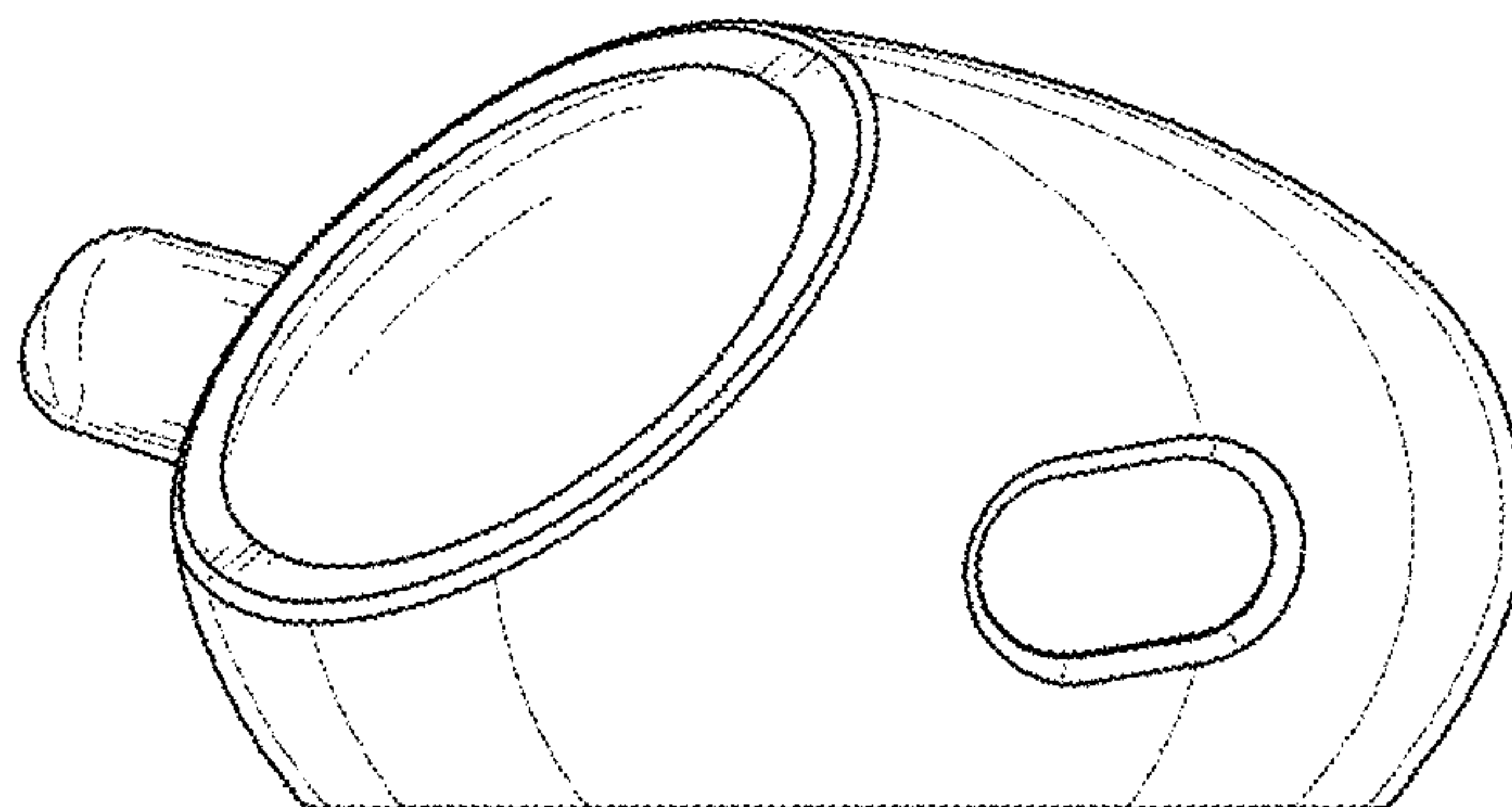


FIG. 16

