



US00D883955S

(12) **United States Design Patent**
Kim

(10) **Patent No.:** **US D883,955 S**

(45) **Date of Patent:** **** May 12, 2020**

(54) **REMOTE CONTROLLER FOR SCOREBOARD**

(71) Applicant: **Sung Jai Kim**, Gwangmyeong-si (KR)

(72) Inventor: **Sung Jai Kim**, Gwangmyeong-si (KR)

(**) Term: **15 Years**

(21) Appl. No.: **29/617,526**

(22) Filed: **Sep. 14, 2017**

(51) **LOC (12) Cl.** **14-03**

(52) **U.S. Cl.**
USPC **D14/218**

(58) **Field of Classification Search**
USPC D14/218, 418, 400, 333; D13/168;
D21/328–329

CPC G09G 5/00; G06F 3/033; A63F 13/24
See application file for complete search history.

(56) **References Cited**

U.S. PATENT DOCUMENTS

D266,416 S *	10/1982	Hiraki	D13/168
D280,819 S *	10/1985	Nishibori	D14/333
D298,941 S *	12/1988	Ennio	D14/218
D300,030 S *	2/1989	Barrett	D14/218
D307,432 S *	4/1990	Usami	D14/218
D310,219 S *	8/1990	Carlile	D14/159
D314,384 S *	2/1991	Hafner	D14/218
D348,268 S *	6/1994	Chambers	D14/217
D352,506 S *	11/1994	Kawamoto	D14/218
D405,797 S *	2/1999	Uehara	D14/218
D409,200 S *	5/1999	Cooper	D14/218
D417,670 S *	12/1999	Capps	D14/218
D451,497 S *	12/2001	Wang	D14/218
D469,437 S *	1/2003	Hussaini	D14/401
D475,710 S *	6/2003	Sheehan	G06F 3/0219 D14/401
D476,643 S *	7/2003	Yamagishi	D14/218
D518,052 S *	3/2006	Jung	D14/392
D518,082 S *	3/2006	Muto	D13/168
D551,230 S *	9/2007	Lau	D14/401

D568,299 S *	5/2008	Tuli	D14/218
D615,977 S *	5/2010	Sogabe	D14/400
D642,543 S *	8/2011	Lee	D13/168
D646,641 S *	10/2011	Lee	D13/168
D648,370 S *	11/2011	Yoshida	D14/218
D663,721 S *	7/2012	McManigal	D14/218
D672,321 S *	12/2012	Park	D13/168

(Continued)

FOREIGN PATENT DOCUMENTS

KR	10-2011-0105603 A	9/2011
KR	10-1229640 B1	2/2013

(Continued)

OTHER PUBLICATIONS

Game electronic LED Digital score board, Alibaba website 2019, [https://www.aliexpress.com/item/4inch-Game-electronic-LED-Digital-score-board-basketb . . .](https://www.aliexpress.com/item/4inch-Game-electronic-LED-Digital-score-board-basketb...), site visited Mar. 11, 2019.*

(Continued)

Primary Examiner — Michelle E. Wilson

Assistant Examiner — John R Yeh

(74) *Attorney, Agent, or Firm* — Myres Wolin, LLC

(57) **CLAIM**

The ornamental design for the remote controller for scoreboard, as shown and described.

DESCRIPTION

FIG. 1 is a perspective view of the remote controller for scoreboard,

FIG. 2 is a front view thereof;

FIG. 3 is a rear view thereof;

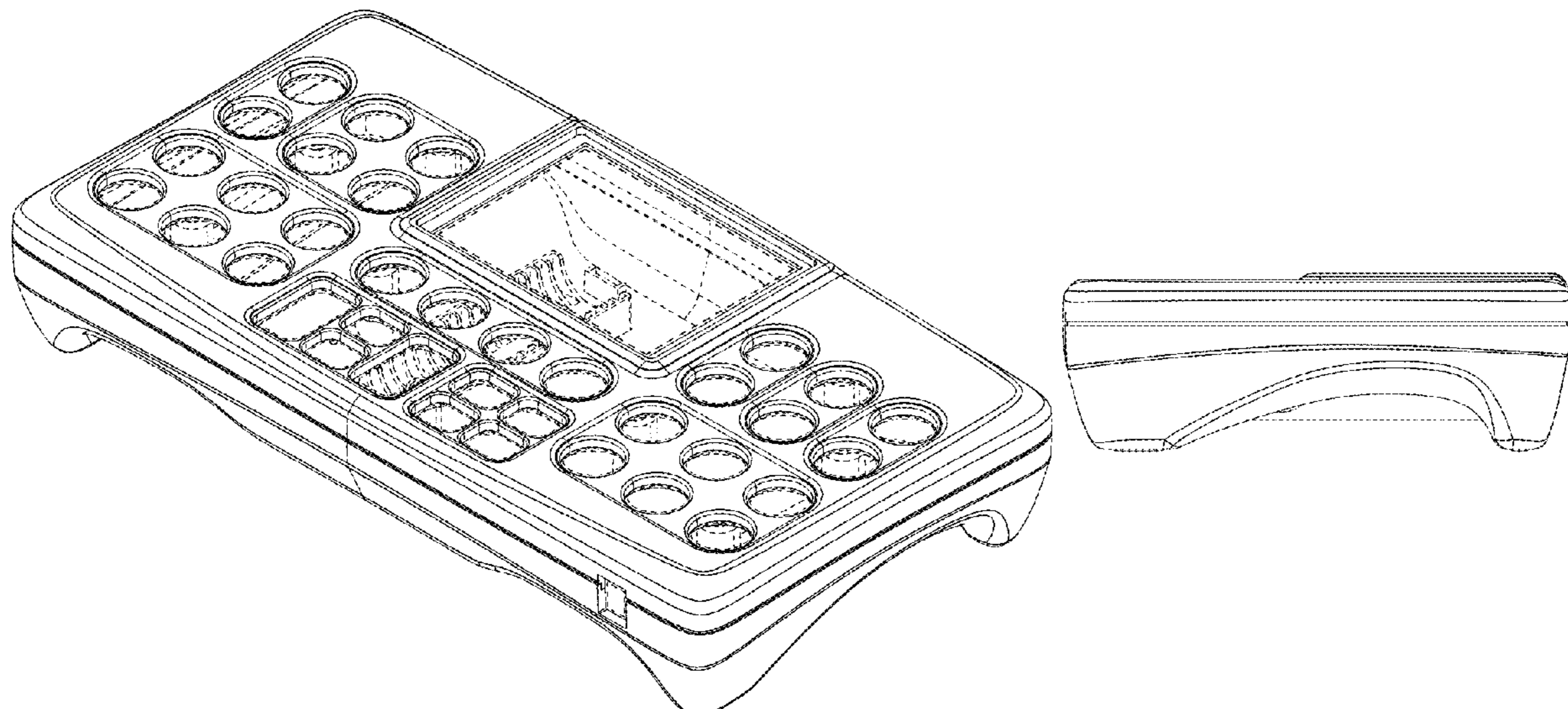
FIG. 4 is a left side view thereof;

FIG. 5 is a right side view thereof;

FIG. 6 is a top plan view thereof; and,

FIG. 7 is a bottom view thereof.

1 Claim, 7 Drawing Sheets



(56)

References Cited

U.S. PATENT DOCUMENTS

D702,295 S * 4/2014 Forman D21/329
D732,502 S * 6/2015 Ookawa D14/140.7
D742,858 S * 11/2015 Morisawa D14/218
D767,507 S * 9/2016 Eastman D13/168
D779,458 S * 2/2017 Morita D14/218
2009/0146958 A1* 6/2009 Ikeda A63F 13/06
345/169
2017/0319953 A1* 11/2017 Townley A63F 13/06
2018/0178117 A1* 6/2018 Kujawski A63F 13/24

FOREIGN PATENT DOCUMENTS

KR 300686714.0000 * 3/2013
KR 20-0470344 Y1 12/2013
KR 10-2015-0109096 A 10/2015

OTHER PUBLICATIONS

Electronic basketball, football scoreboard—Sport System website
no date, <https://www.sportssystem.it/en/categoria-prodotto/games/electronic-scoreboards/>, site visited Mar. 11, 2019.*

Office Action issued by the Korean Intellectual Property Office for
corresponding Korean Patent Application No. 10-2017-0032942,
dated May 12, 2017.

* cited by examiner

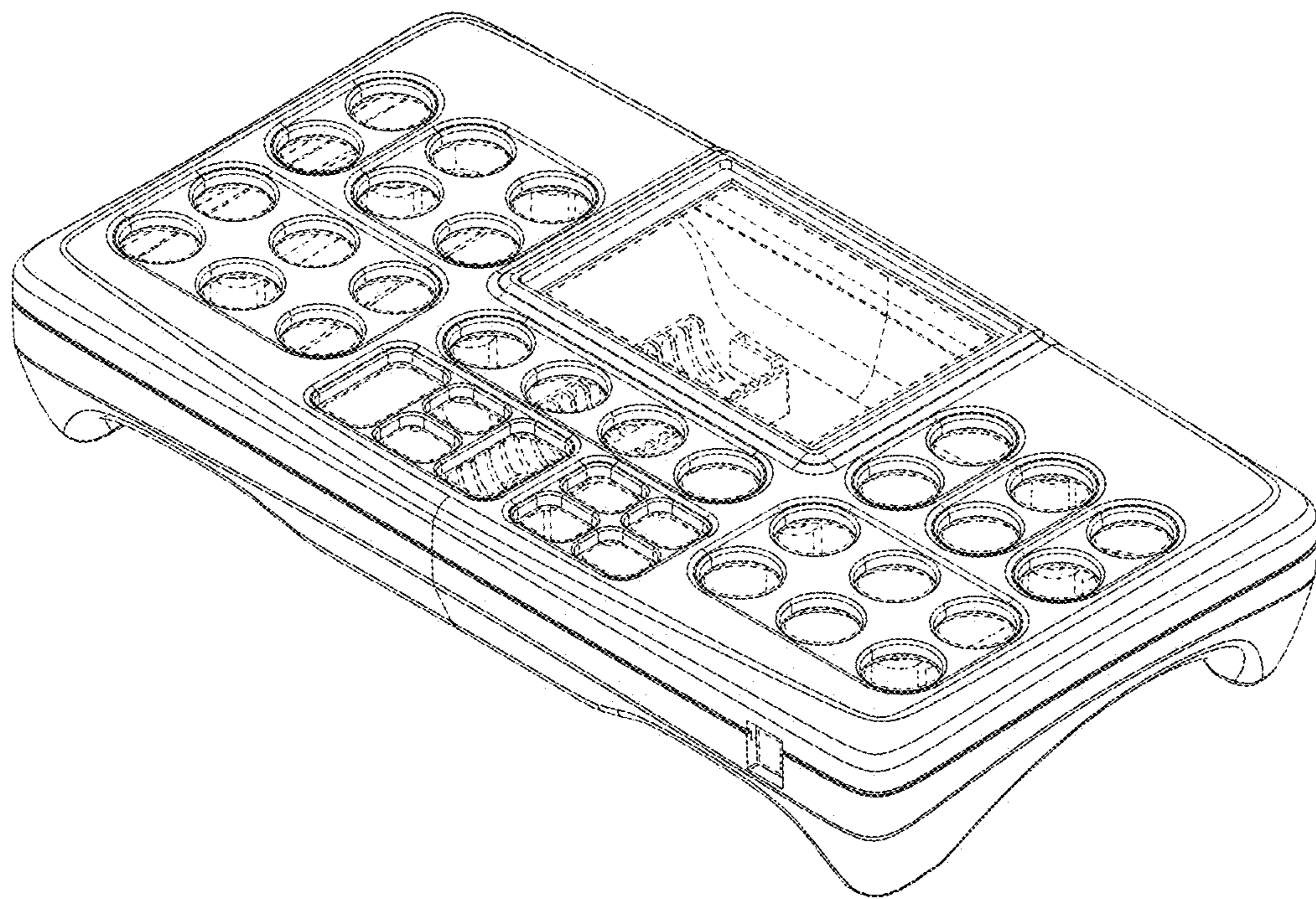


FIG. 1

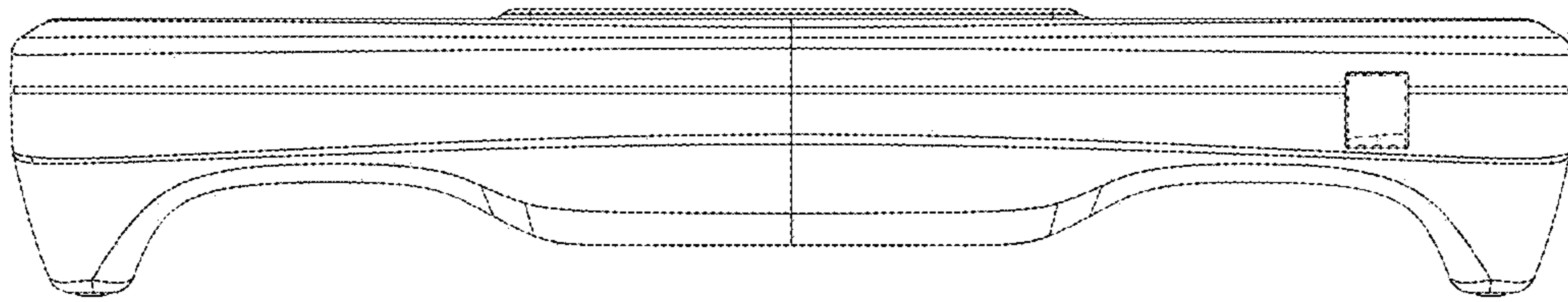


FIG. 2

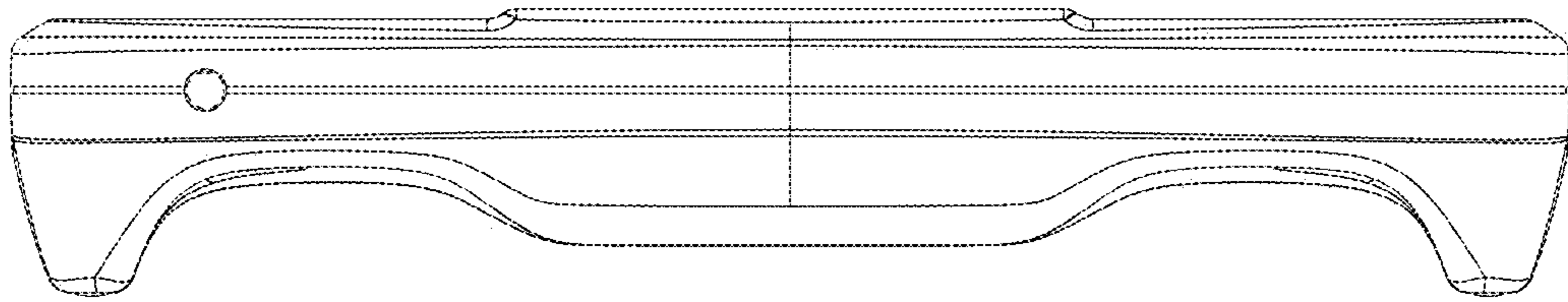


FIG. 3

FIG. 4

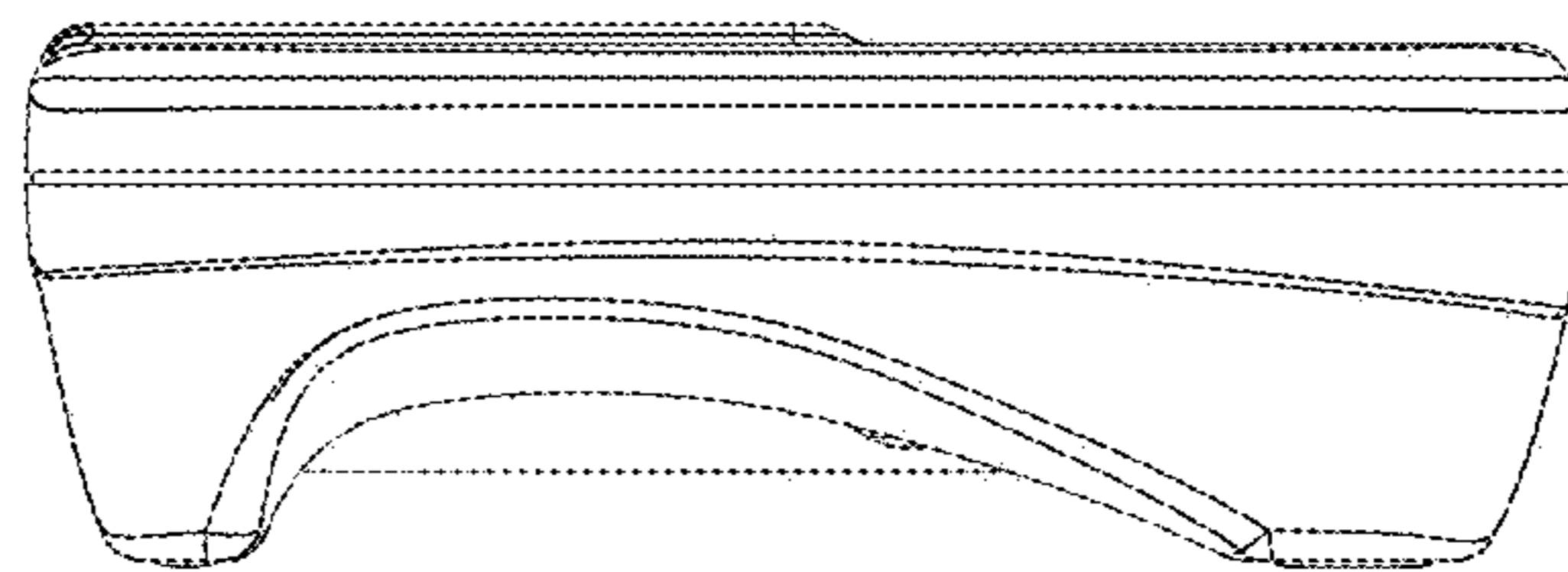
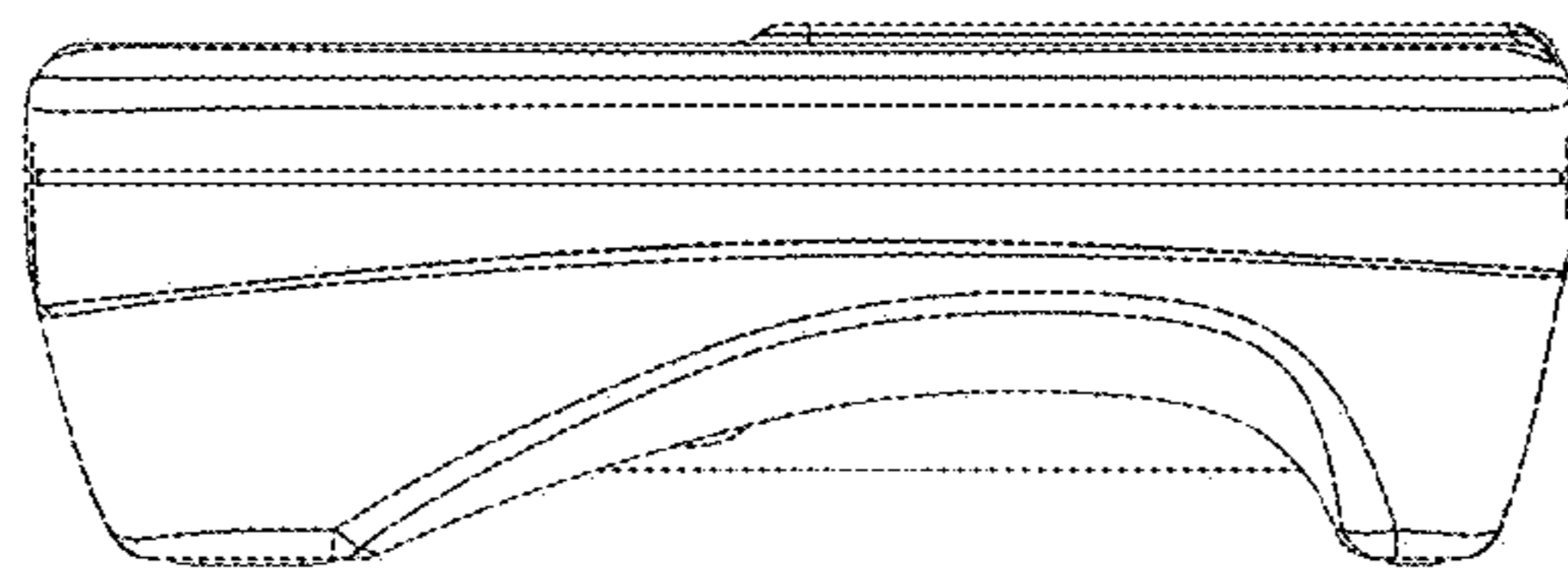


FIG. 5



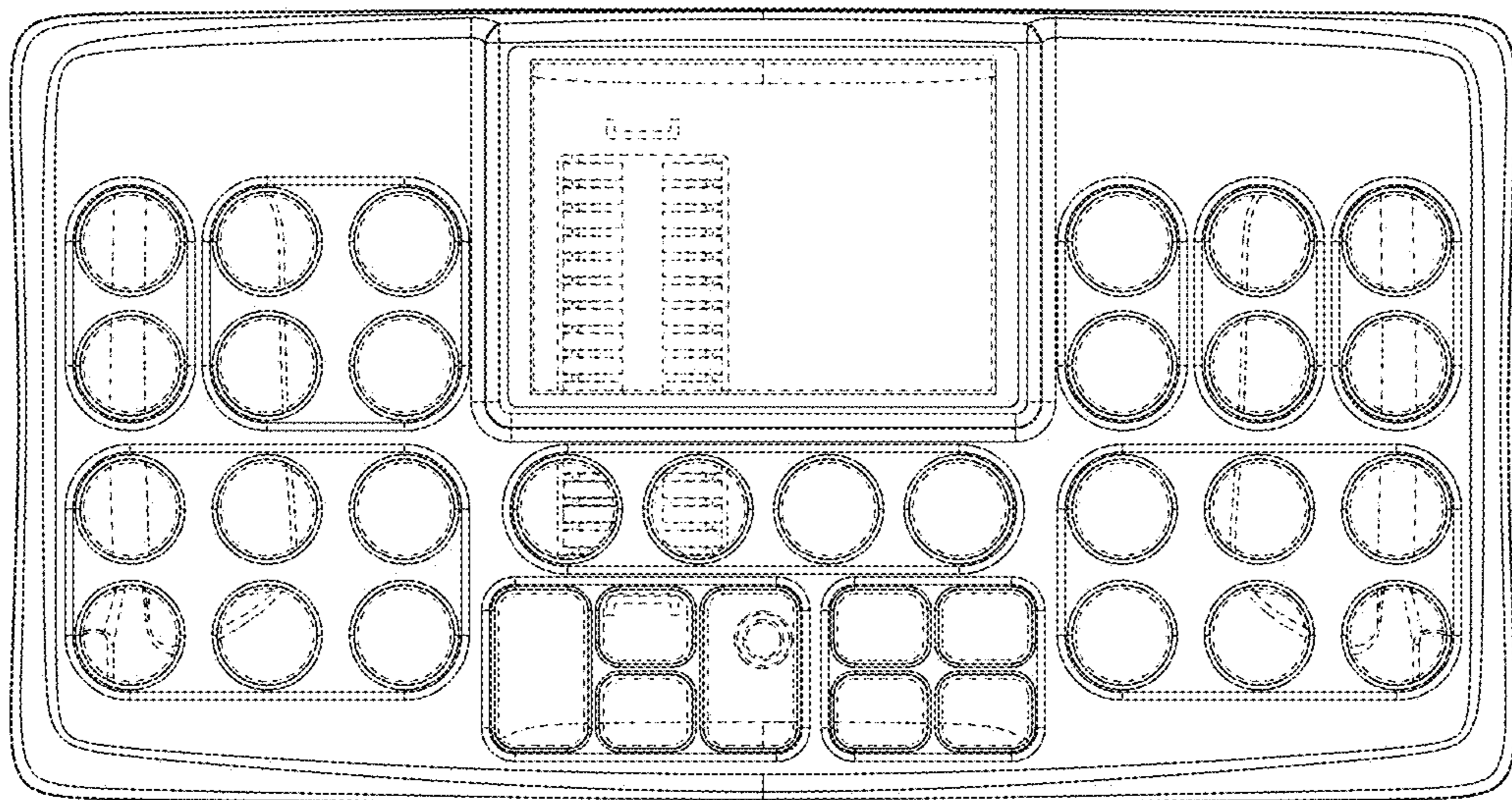


FIG. 6

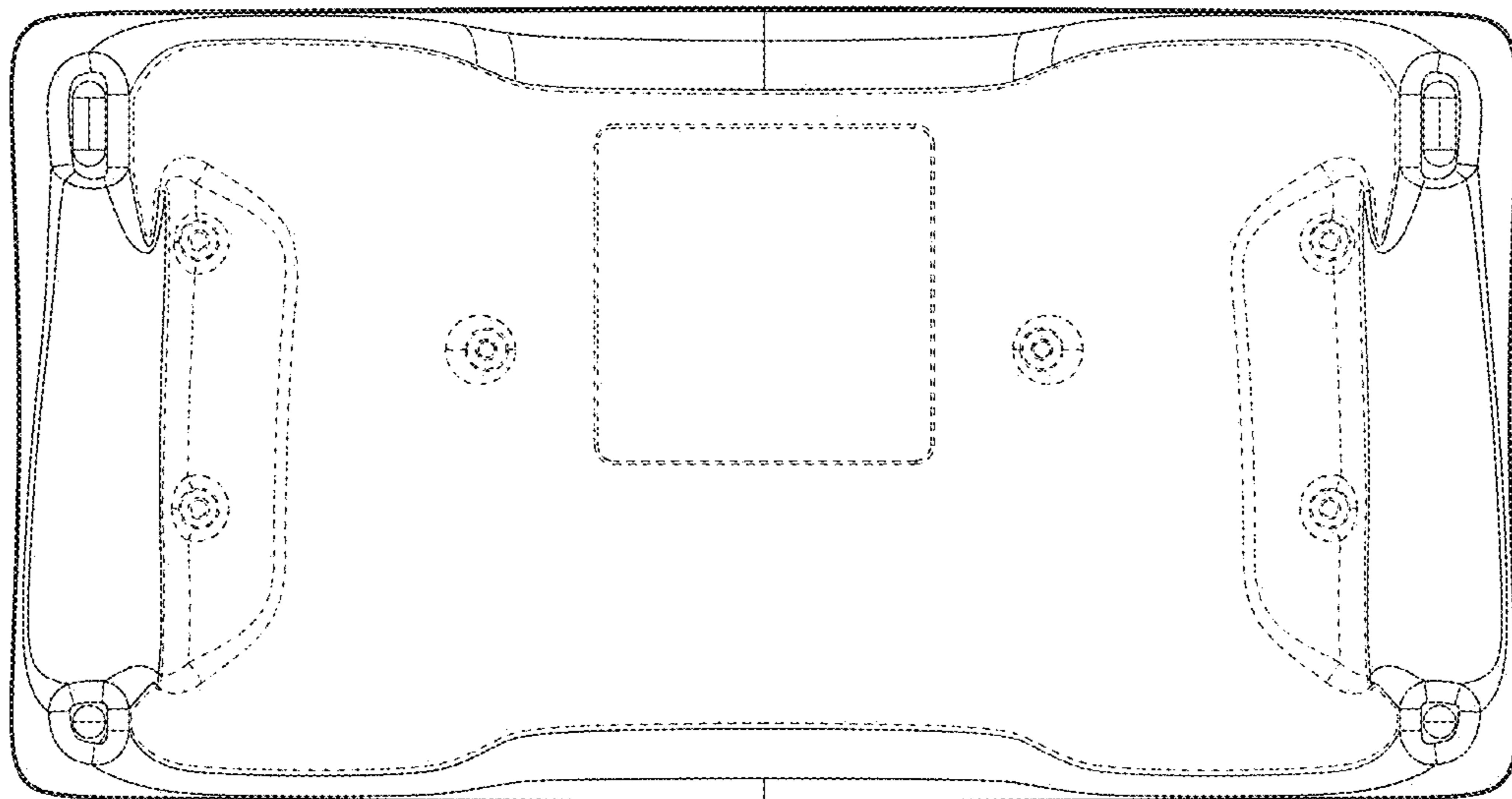


FIG. 7