



US00D883951S

(12) **United States Design Patent**
Yan

(10) **Patent No.:** **US D883,951 S**

(45) **Date of Patent:** **** May 12, 2020**

(54) **WIRELESS HEADSET**

(71) Applicant: **SHENZHEN FUSHIKE ELECTRONIC CO., LTD.**, Shenzhen (CN)

(72) Inventor: **Xiaohuang Yan**, Fuzhou (CN)

(**) Term: **15 Years**

(21) Appl. No.: **29/675,043**

(22) Filed: **Dec. 28, 2018**

(51) **LOC (12) Cl.** **14-01**

(52) **U.S. Cl.**
USPC **D14/206**

(58) **Field of Classification Search**
USPC D14/206, 205, 223; D24/174; 128/864, 128/865, 866; 181/129, 130, 135; 379/430, 431; 381/380, 381, 374, 330, 381/323; 455/90.3, 575.1, 569.1
CPC H04R 1/10; H04R 1/1066; H04R 1/1016; H04R 25/00; H04R 1/105; H04R 5/033; H04R 5/0335; H04R 1/1083; H04R 19/04; H04R 1/08

See application file for complete search history.

(56) **References Cited**

U.S. PATENT DOCUMENTS

D179,150 S *	11/1956	Norris	D14/192
D233,444 S *	10/1974	Christian	D14/206
D251,234 S *	3/1979	Hakansson	D10/46
D295,403 S *	4/1988	Oleson	D14/225
D354,568 S *	1/1995	Araki	D24/174
D357,477 S *	4/1995	Mueller	D14/206
D384,958 S *	10/1997	Shudo	D14/206
D385,036 S *	10/1997	Nielsen	D24/174
D439,890 S *	4/2001	Skulley	D14/206
D443,603 S *	6/2001	Taylor	D14/206
D447,472 S *	9/2001	McGugan	D14/225
D447,473 S *	9/2001	Chuang	D13/151

D447,743 S *	9/2001	Ma	D14/223
D449,290 S *	10/2001	Taylor	D14/206
D451,907 S *	12/2001	Amae	D14/206
D452,857 S *	1/2002	Hong	D14/206
D455,417 S *	4/2002	Bey	D14/206
D457,635 S *	5/2002	Dittli	D24/174
D458,247 S *	6/2002	Davies	D14/206
D463,784 S *	10/2002	Taylor	D14/206
D464,943 S *	10/2002	Lai	D14/206
D464,951 S *	10/2002	Skulley	D14/142
D468,721 S *	1/2003	Nguyen	D14/205
D469,081 S *	1/2003	Perszyk	D14/205
D470,121 S *	2/2003	Nguyen	D14/205
D470,478 S *	2/2003	Kohli	D14/223
D474,171 S *	5/2003	Suzuki	D14/206
D474,178 S *	5/2003	Eroma	D14/205
D476,645 S *	7/2003	Padala	D14/223
D477,821 S *	7/2003	Bieltvedt	D14/206
D480,072 S *	9/2003	Ham	D14/223
D490,398 S *	5/2004	Gwee	D14/205
D498,227 S *	11/2004	Dyer	D14/205
D504,419 S *	4/2005	Bey	D14/223
D504,673 S *	5/2005	Dyer	D14/205

(Continued)

Primary Examiner — Paula Allen Greene

(74) *Attorney, Agent, or Firm* — ZANIP

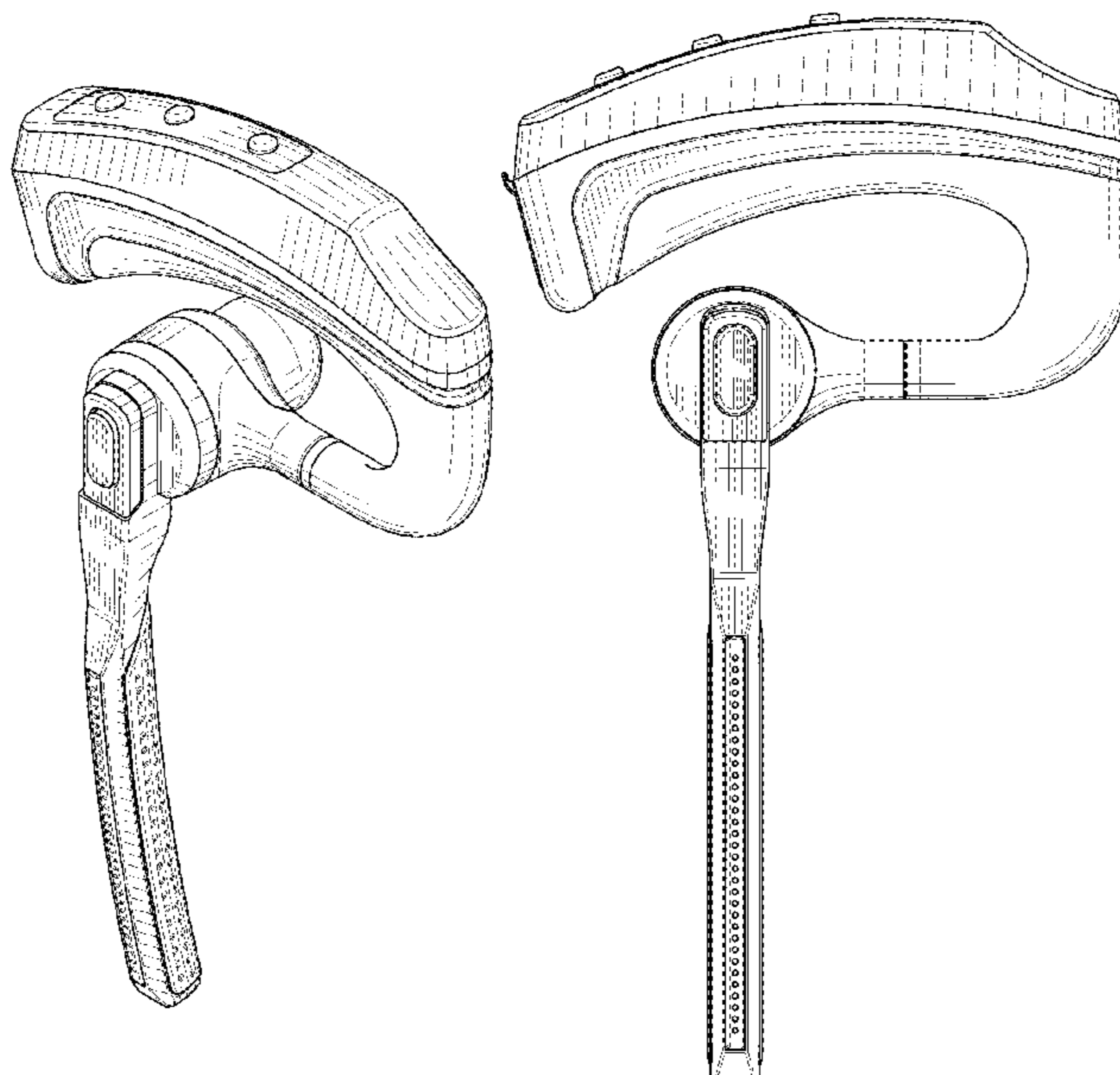
(57) **CLAIM**

The ornamental design for a wireless headset, as shown and described.

DESCRIPTION

FIG. 1 is a perspective view of a wireless headset, showing my new design;
FIG. 2 is a front view thereof;
FIG. 3 is a rear view thereof;
FIG. 4 is a left-side view thereof;
FIG. 5 is a right-side view thereof;
FIG. 6 is a top view thereof; and,
FIG. 7 is a bottom view thereof.

1 Claim, 5 Drawing Sheets



(56)

References Cited

U.S. PATENT DOCUMENTS

D504,887 S * 5/2005 Skulley D14/223
 D505,413 S * 5/2005 Skulley D14/223
 D506,258 S * 6/2005 Nielsen D24/174
 D511,156 S * 11/2005 Eroma D14/205
 D512,984 S * 12/2005 Ham D14/205
 D515,074 S * 2/2006 Jacobson D14/225
 D517,528 S * 3/2006 Skulley D14/206
 D518,479 S * 4/2006 Skulley D14/225
 D519,498 S * 4/2006 Ham D14/225
 D520,496 S * 5/2006 Gwee D14/205
 D521,492 S * 5/2006 Ham D14/205
 D530,819 S * 10/2006 Jurkiewicz D24/174
 D535,980 S * 1/2007 Bentley D14/225
 D537,815 S * 3/2007 Bentley D14/206
 D539,266 S * 3/2007 Bentley D14/205
 D539,789 S * 4/2007 Rausch D14/225
 D541,787 S * 5/2007 Ma D14/205
 D581,900 S * 12/2008 Caddes D14/206
 D584,719 S * 1/2009 Brennwald D14/205
 D603,372 S * 11/2009 Bentley D14/206
 D612,834 S * 3/2010 Yang D14/206
 D612,835 S * 3/2010 Yang D14/206
 D612,840 S * 3/2010 Yang D14/206
 D647,877 S * 11/2011 Son D14/206
 D653,649 S * 2/2012 Yang D14/206
 D657,347 S * 4/2012 Chung D14/206
 D667,121 S * 9/2012 Mori D24/174
 D670,267 S * 11/2012 Maddern D14/206
 D671,915 S * 12/2012 Birger D14/206

8,374,370 B2 * 2/2013 Zhang A61B 5/121
 381/322
 D681,002 S * 4/2013 Ham D14/205
 D681,003 S * 4/2013 Ham D14/206
 D681,014 S * 4/2013 Ham D14/206
 D705,936 S * 5/2014 Lockenwitz D24/174
 D717,771 S * 11/2014 Harper D14/223
 D726,147 S * 4/2015 Tran D14/206
 D746,260 S * 12/2015 Goransson D14/206
 D750,043 S * 2/2016 Birger D14/206
 D784,290 S * 4/2017 Paterson D14/205
 D784,291 S * 4/2017 Paterson D14/206
 D789,331 S * 6/2017 Paterson D14/225
 D797,076 S * 9/2017 Zhang D14/206
 D800,692 S * 10/2017 Tan D14/206
 D804,035 S * 11/2017 Gabathuler D24/174
 D812,040 S * 3/2018 Yan D14/206
 D828,327 S * 9/2018 Birger D14/206
 D830,337 S * 10/2018 Yan D14/206
 D830,338 S * 10/2018 Yan D14/206
 D836,599 S * 12/2018 Duan D14/206
 D838,688 S * 1/2019 Liu D14/206
 D851,065 S * 6/2019 Yan D14/206
 D855,036 S * 7/2019 Yan D14/206
 D863,254 S * 10/2019 Hu D14/206
 D872,707 S * 1/2020 Liu D14/206
 2005/0129259 A1 * 6/2005 Garner H04R 1/083
 381/172
 2005/0259812 A1 * 11/2005 Chen H04M 1/05
 379/431

* cited by examiner

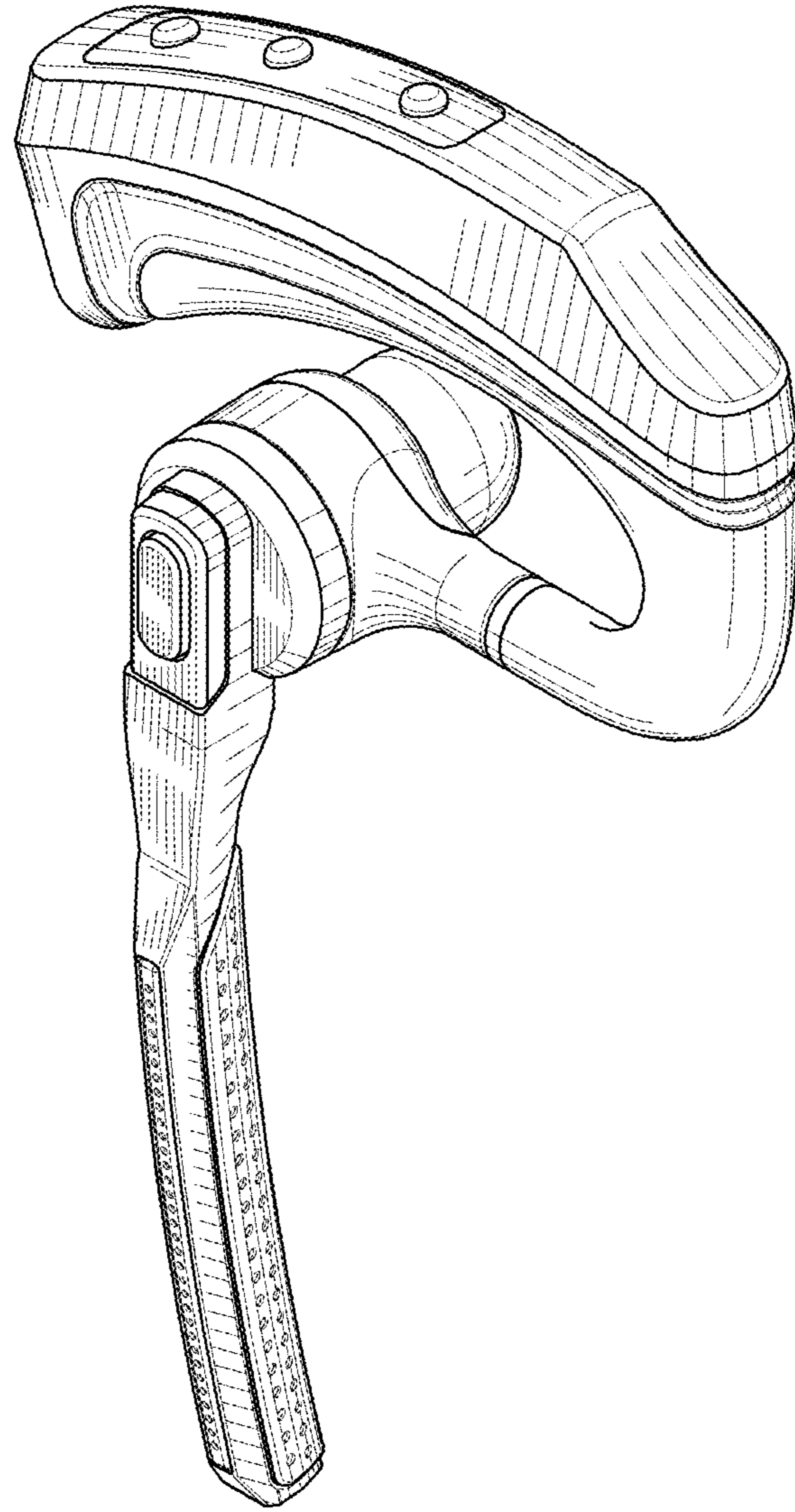


FIG. 1

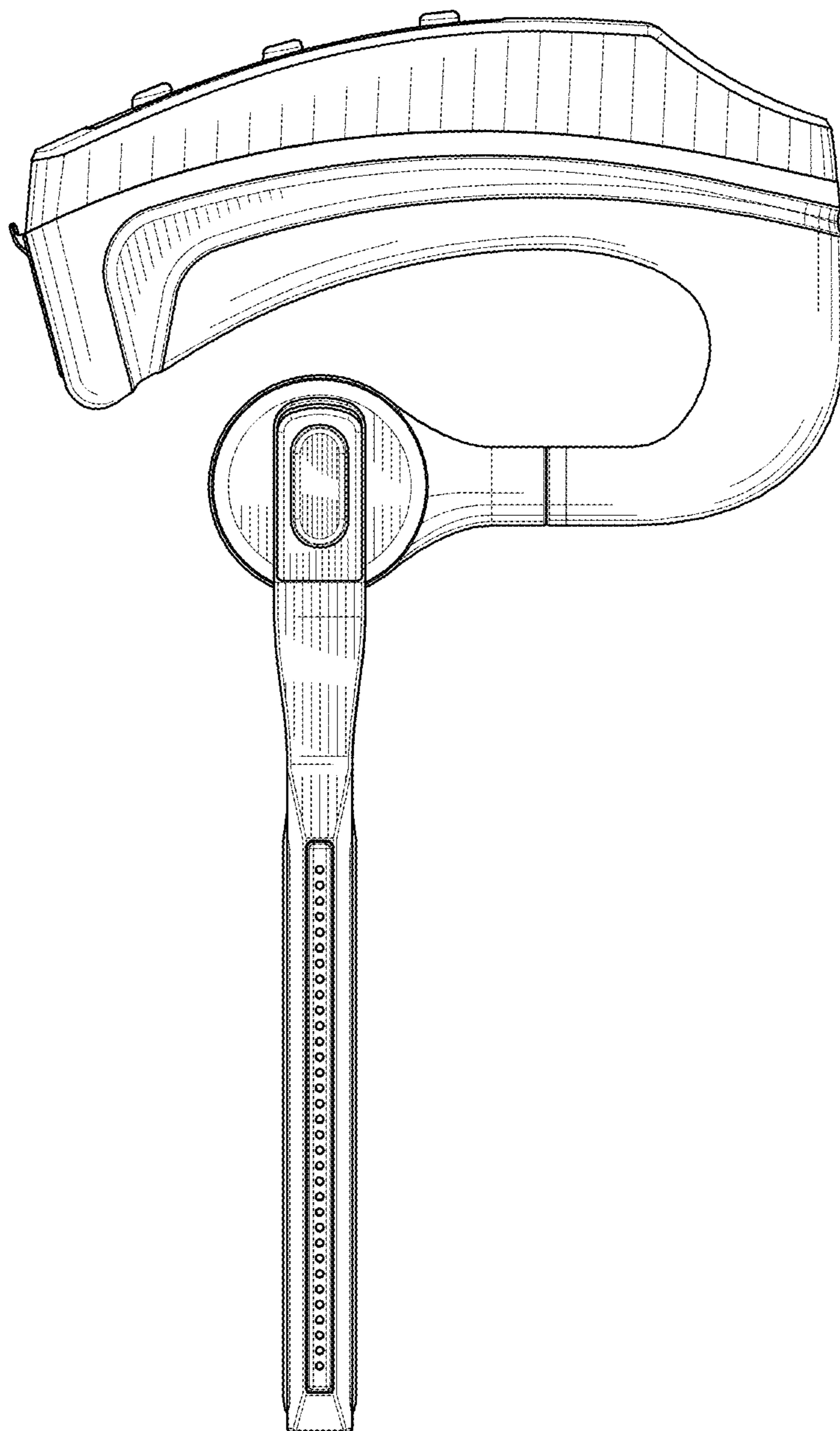


FIG. 2

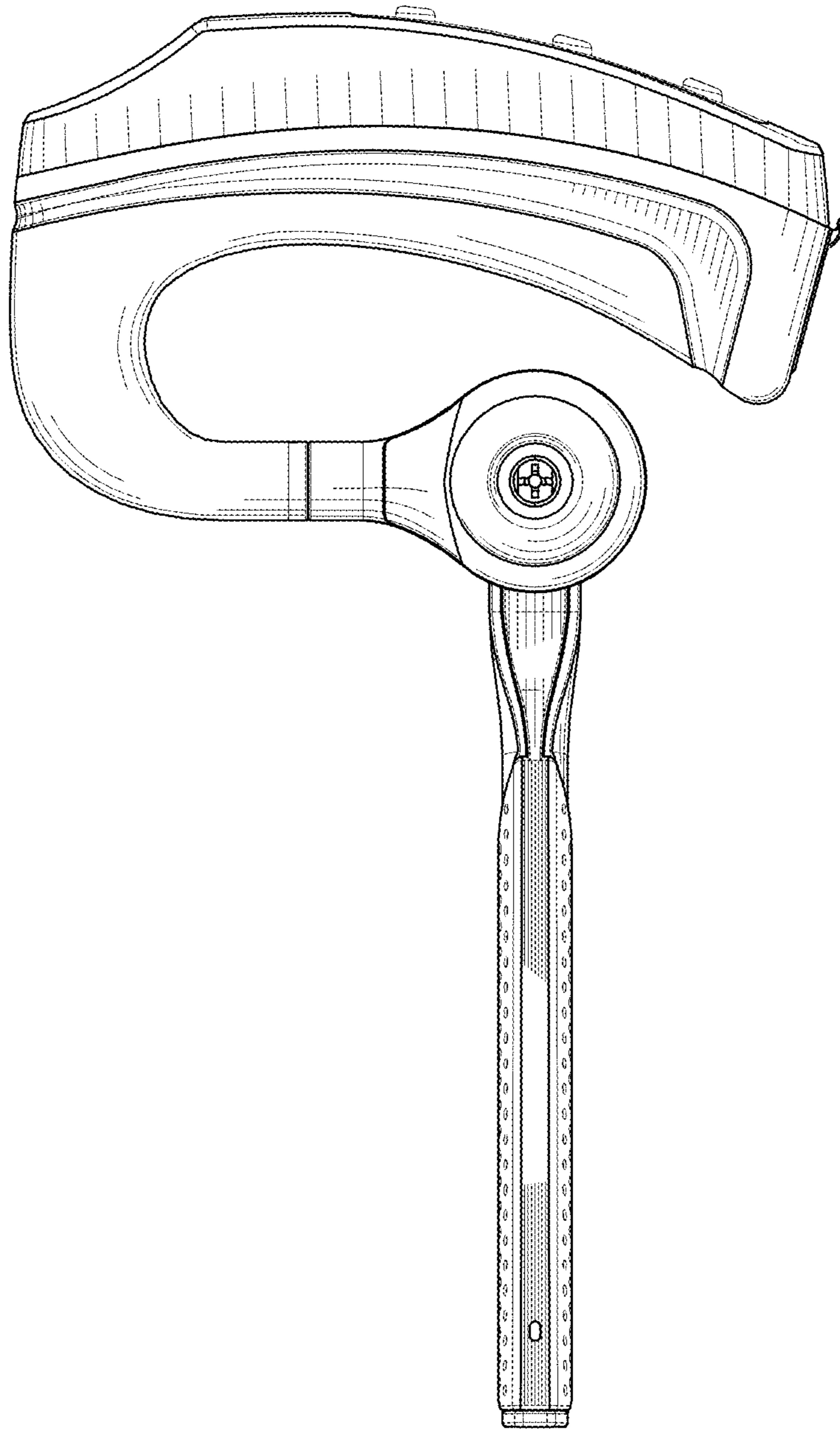


FIG. 3

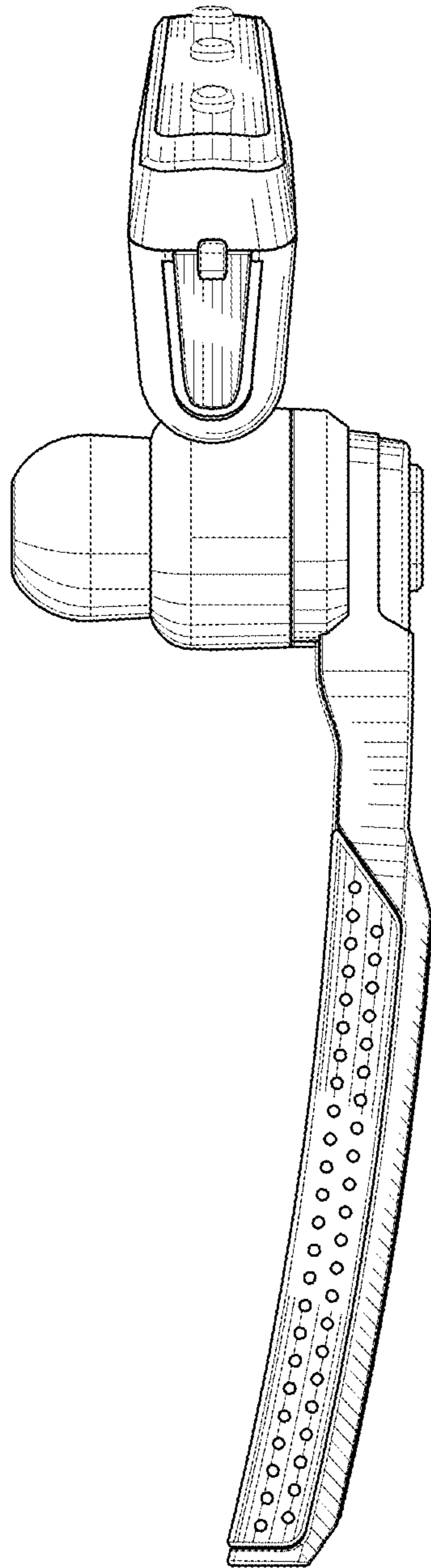


FIG. 4

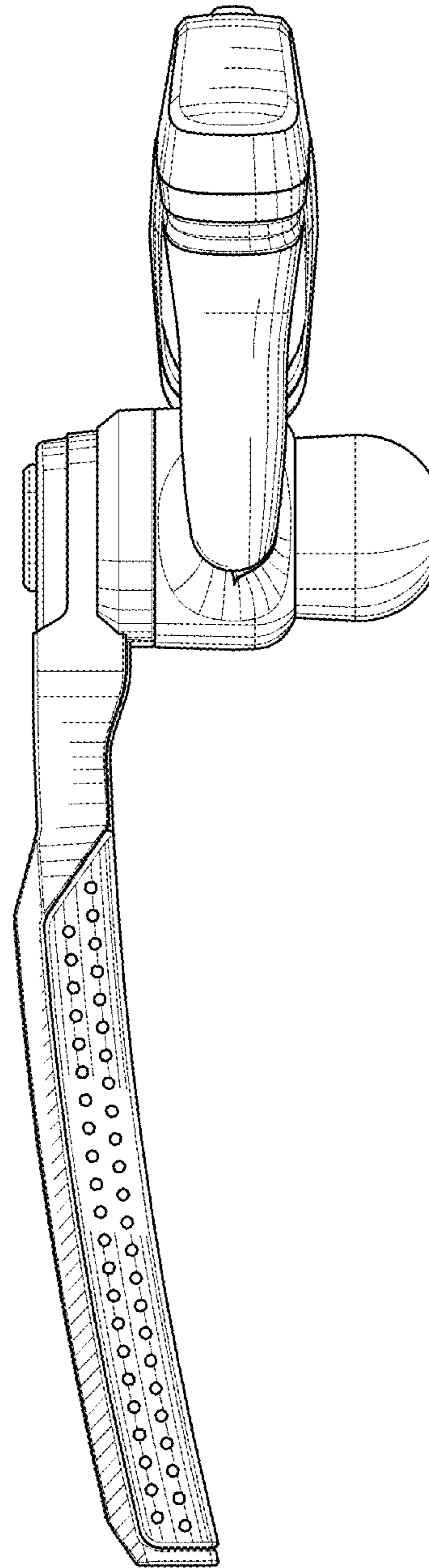


FIG. 5

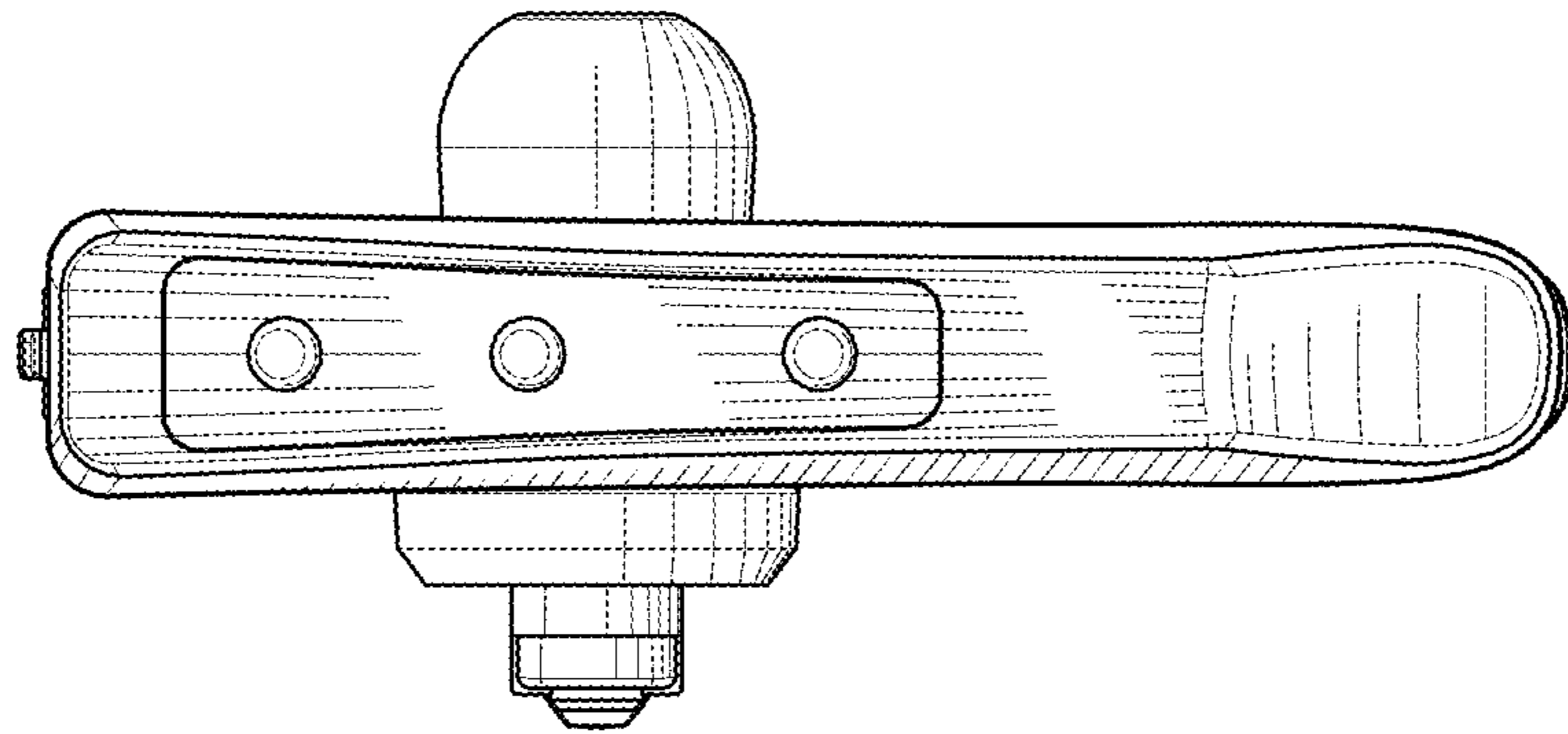


FIG. 6

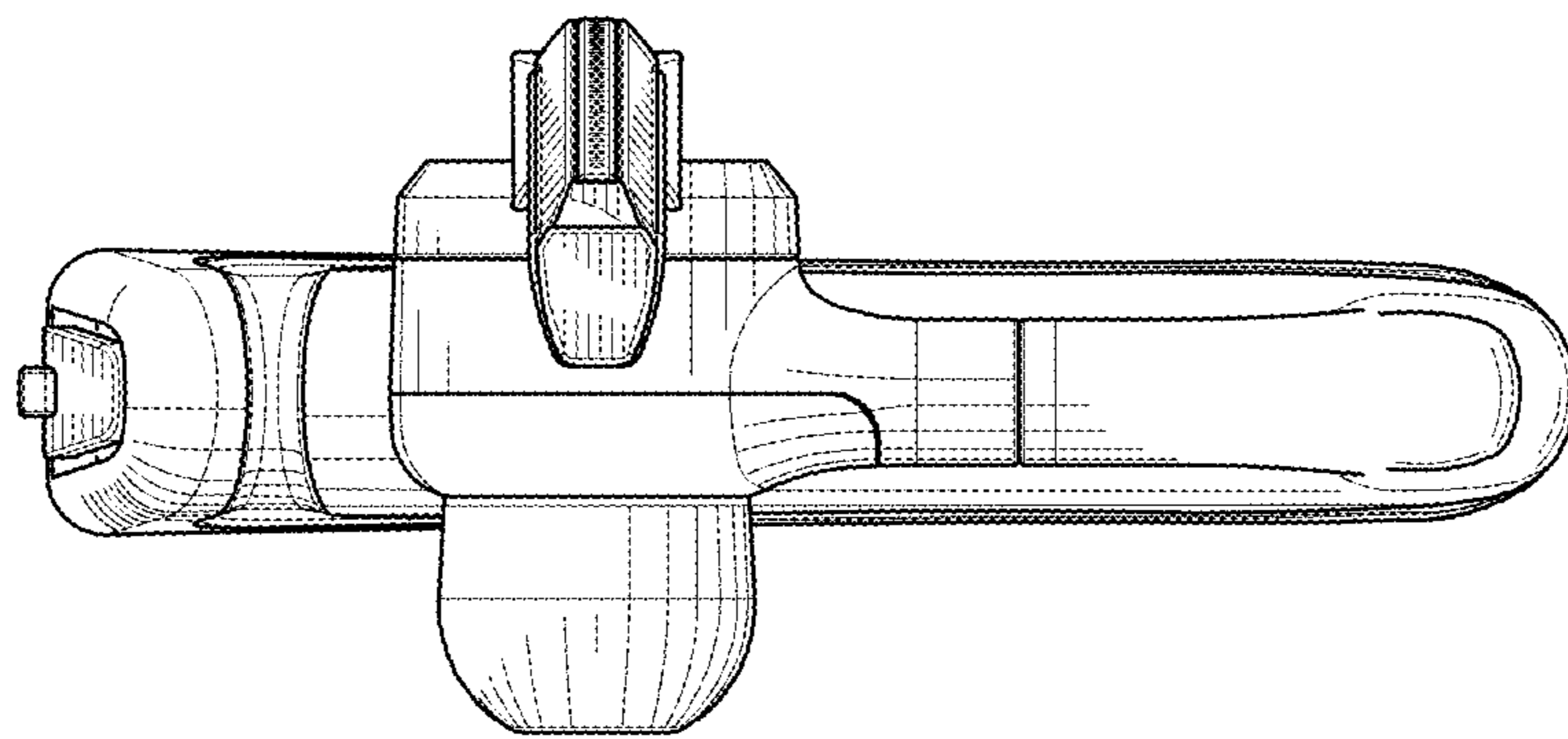


FIG. 7