



US00D883950S

(12) **United States Design Patent**  
**Liu**

(10) **Patent No.:** **US D883,950 S**

(45) **Date of Patent:** **\*\* May 12, 2020**

(54) **HEADPHONE**

(71) Applicant: **Suyun Liu, Jiangxi (CN)**

(72) Inventor: **Suyun Liu, Jiangxi (CN)**

(\*\*) Term: **15 Years**

(21) Appl. No.: **29/663,766**

(22) Filed: **Sep. 19, 2018**

(51) **LOC (12) Cl.** ..... **14-01**

(52) **U.S. Cl.**  
USPC ..... **D14/206; D14/226**

(58) **Field of Classification Search**  
USPC ..... D14/206, 226, 205, 372; D29/112;  
2/209; 181/129, 130, 135; 379/430, 431;  
381/380, 381, 374; 455/90.3, 575.1,  
455/569.1  
CPC .... H04R 25/00; H04R 1/1066; H04R 1/1016;  
H04R 5/033; H04R 5/0335; H04R 19/04;  
H04R 17/02

See application file for complete search history.

(56) **References Cited**

**U.S. PATENT DOCUMENTS**

3,488,457	A	*	1/1970	Lahti	.....	H04R 1/1008
						381/371
D600,674	S	*	9/2009	Brennwald	.....	D14/205
D602,002	S	*	10/2009	Asai	.....	D14/206
D604,266	S	*	11/2009	Milde	.....	D14/205
D638,397	S	*	5/2011	McManigal	.....	D14/205
D641,727	S	*	7/2011	Krauss	.....	D14/206
D652,017	S	*	1/2012	Groves	.....	D14/206
D654,472	S	*	2/2012	Fischer	.....	D14/206
D662,490	S	*	6/2012	McSweyn	.....	D14/205
D666,993	S	*	9/2012	Kelley	.....	D14/205
D672,745	S	*	12/2012	Abed	.....	D14/205
D689,464	S	*	9/2013	Bonahoom	.....	D14/206
D690,284	S	*	9/2013	Brennwald	.....	D14/205
D691,111	S	*	10/2013	Lee	.....	D14/206
D699,216	S	*	2/2014	Bonahoom	.....	D14/205

D723,508	S	*	3/2015	Garland	.....	D14/205
D723,509	S	*	3/2015	Garland	.....	D14/205
D727,278	S	*	4/2015	Solomon	.....	D14/205
D733,677	S	*	7/2015	Ling	.....	D14/206
D734,736	S	*	7/2015	Jin	.....	D14/206
D739,843	S	*	9/2015	Daniel	.....	D14/205
D741,286	S	*	10/2015	Brennwald	.....	D14/205
D745,859	S	*	12/2015	Kiuchi	.....	D14/205
D746,793	S	*	1/2016	Logan	.....	D14/206
D766,207	S	*	9/2016	Paterson	.....	D14/205
D766,208	S	*	9/2016	Paterson	.....	D14/205
D769,219	S	*	10/2016	Ohmachi	.....	D14/205
D778,258	S	*	2/2017	Hsu	.....	D14/205
D787,470	S	*	5/2017	Kelly	.....	D14/205
D788,071	S	*	5/2017	Logan	.....	D14/205

(Continued)

**FOREIGN PATENT DOCUMENTS**

EM	005649985-0001	*	9/2018
EM	006378931-0001	*	4/2019
EM	007448691-0001	*	12/2019

*Primary Examiner* — Paula Allen Greene

(74) *Attorney, Agent, or Firm* — Justin Lampel

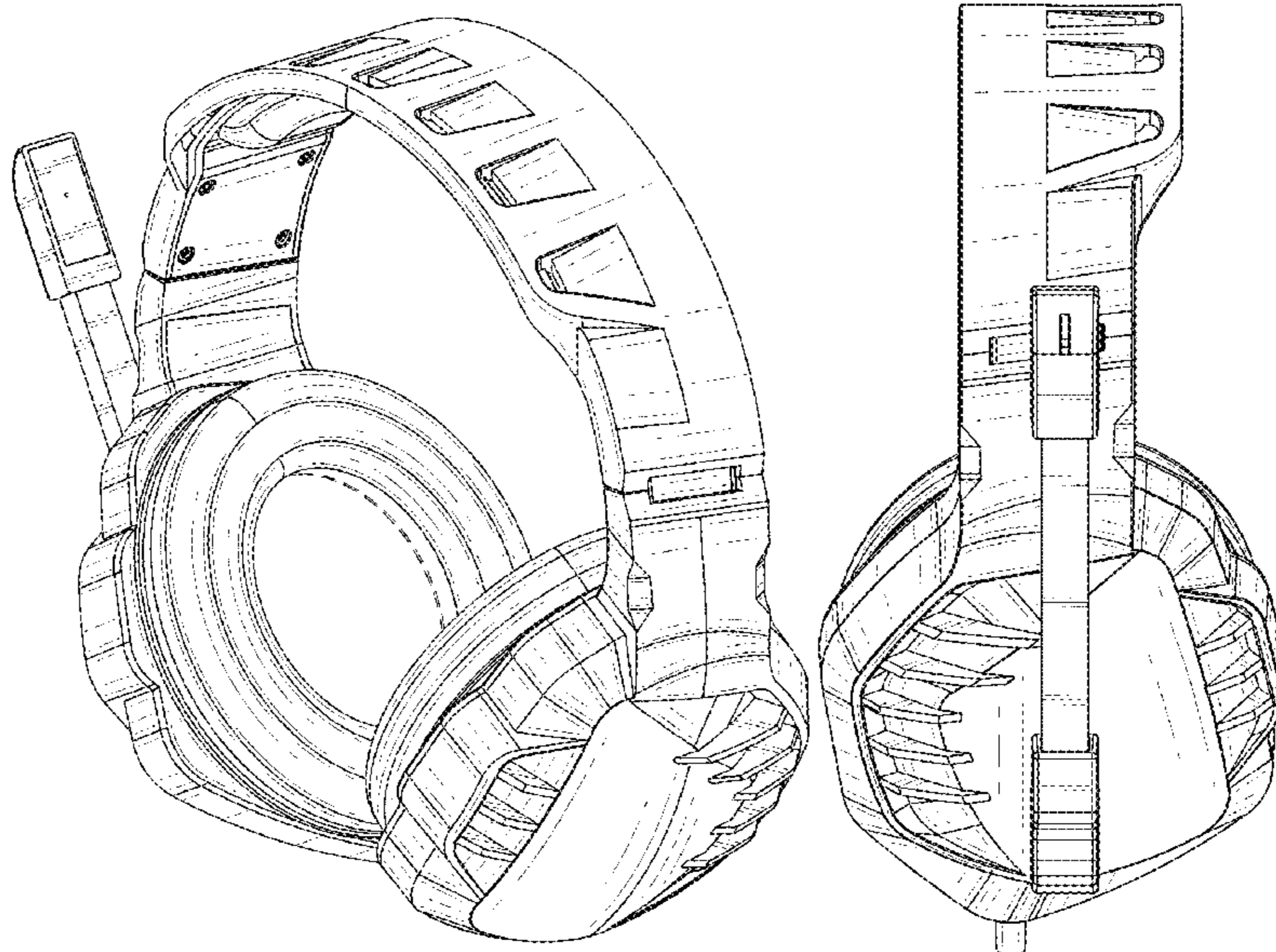
(57) **CLAIM**

The ornamental design for a headphone, as shown and described.

**DESCRIPTION**

FIG. 1 is a perspective view of a headphone showing my new design;  
FIG. 2 is a front side view thereof;  
FIG. 3 is a rear side view thereof;  
FIG. 4 is a right side view thereof;  
FIG. 5 is a left side view thereof;  
FIG. 6 is a bottom plan view thereof; and,  
FIG. 7 is a top plan view thereof.  
The broken lines depict environment that forms no part of the claimed design.

**1 Claim, 7 Drawing Sheets**



(56)

References Cited

U.S. PATENT DOCUMENTS

D790,506 S *	6/2017	Broadley	.....	D14/206	D856,969 S *	8/2019	Tang	.....	D14/206
D791,734 S *	7/2017	Ou	.....	D14/206	D856,970 S *	8/2019	Tang	.....	D14/206
D808,359 S *	1/2018	Meyer	.....	D14/205	D856,971 S *	8/2019	Tang	.....	D14/206
D815,614 S *	4/2018	Tzeng	.....	D14/205	D857,656 S *	8/2019	Ipsen	.....	D14/206
D820,813 S *	6/2018	Sharp	.....	D14/206	D857,657 S *	8/2019	Skinner	.....	D14/206
D824,360 S *	7/2018	Hsieh	.....	D14/205	D859,355 S *	9/2019	Hu	.....	D14/205
D824,362 S *	7/2018	Probst	.....	D14/206	D864,155 S *	10/2019	Liu	.....	D14/206
D841,620 S *	2/2019	Liu	.....	D14/206	D864,156 S *	10/2019	Liu	.....	D14/206
D843,348 S *	3/2019	Burgess	.....	D14/206	D864,157 S *	10/2019	Hu	.....	D14/206
D843,349 S *	3/2019	Burgess	.....	D14/206	D864,903 S *	10/2019	Liu	.....	D14/206
D845,927 S *	4/2019	Wang	.....	D14/206	D866,515 S *	11/2019	Long	.....	D14/206
D851,063 S *	6/2019	Deng	.....	D14/206	D868,027 S *	11/2019	Paterson	.....	D14/205
D851,064 S *	6/2019	Wang	.....	D14/206	D868,028 S *	11/2019	Paterson	.....	D14/205
D852,165 S *	6/2019	Karayiannis	.....	D14/205	D868,030 S *	11/2019	Chong	.....	D14/206
D853,988 S *	7/2019	Wang	.....	D14/206	D868,734 S *	12/2019	Wang	.....	D14/206
D856,594 S *	8/2019	Wilson	.....	D29/112	D870,696 S *	12/2019	Deng	.....	D14/206
D856,967 S *	8/2019	Tang	.....	D14/206	D870,698 S *	12/2019	Long	.....	D14/206
D856,968 S *	8/2019	Tang	.....	D14/206	2011/0194721 A1 *	8/2011	Schmidt	.....	H04R 1/1066 381/370
					2016/0198254 A1 *	7/2016	Gecawicz	.....	H04R 1/083 381/375

\* cited by examiner



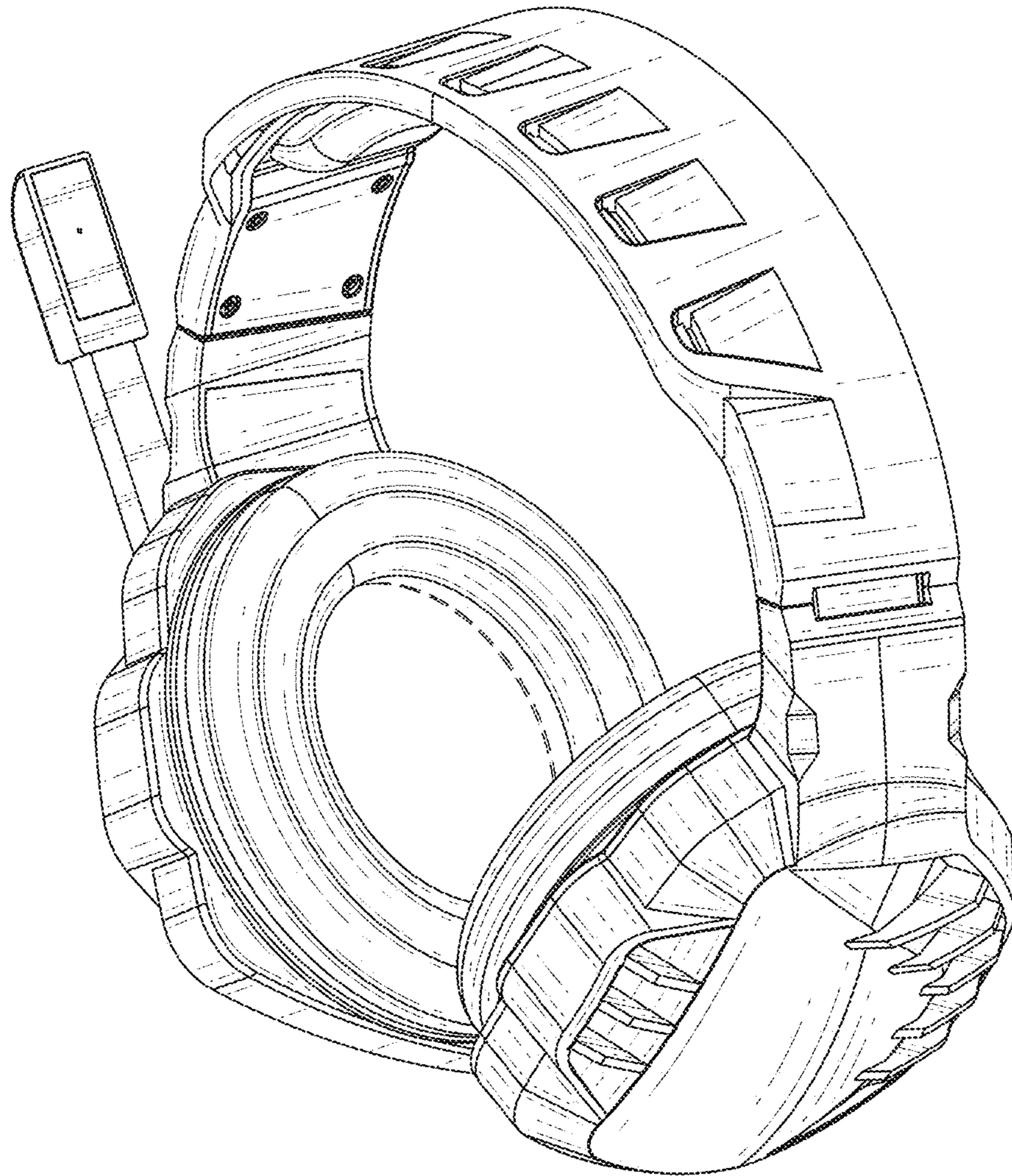


FIG. 1

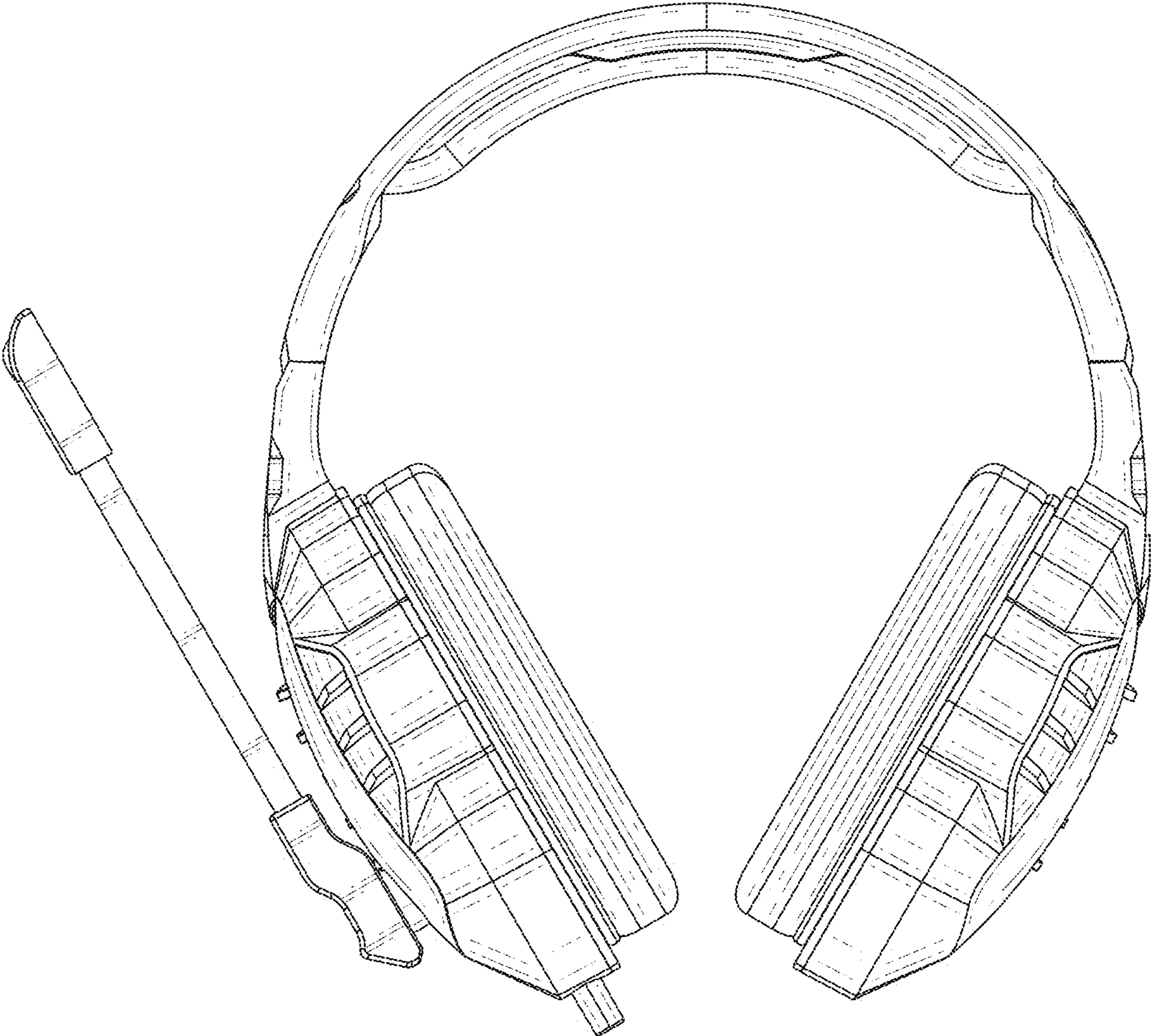


FIG. 2

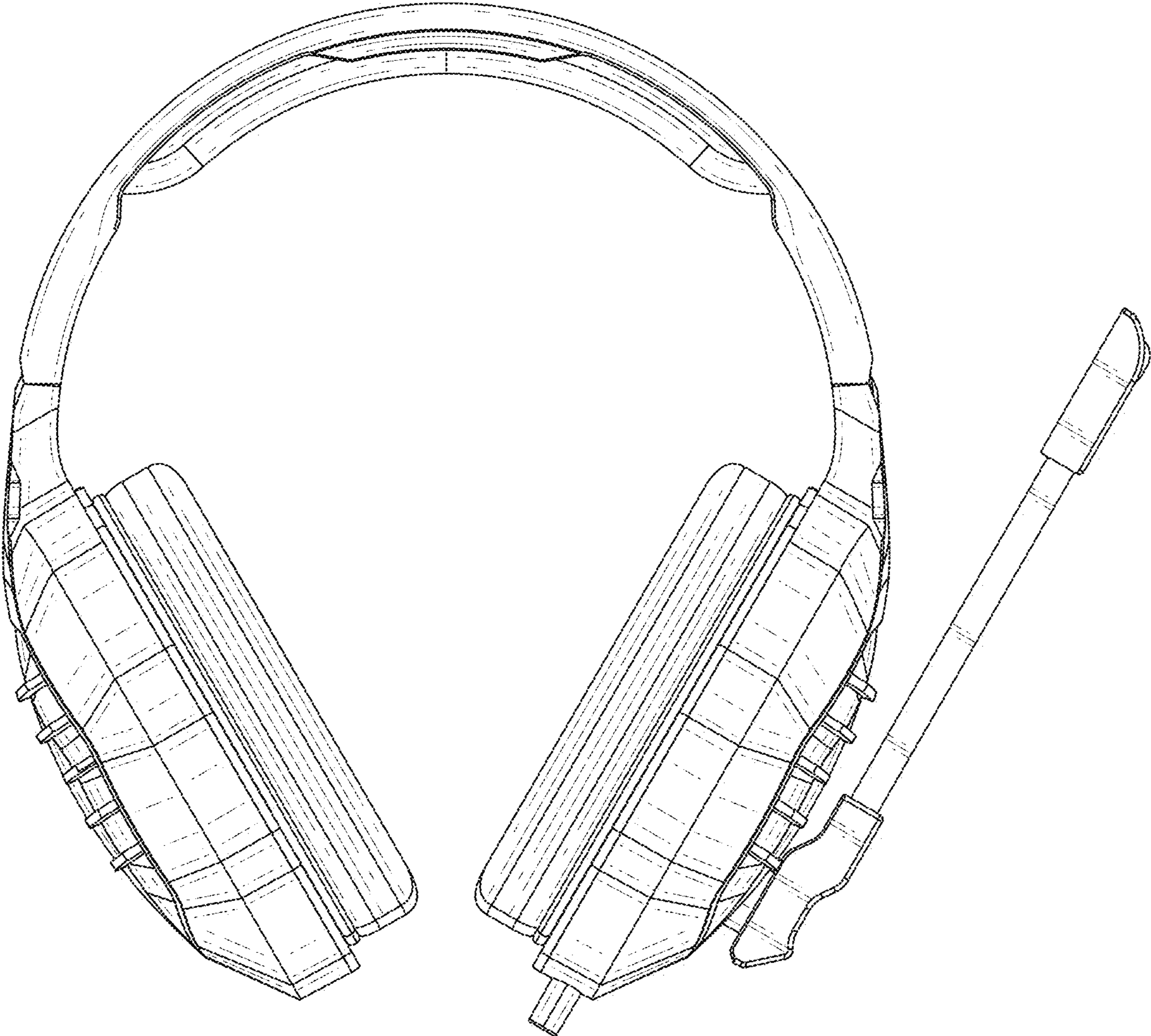


FIG. 3



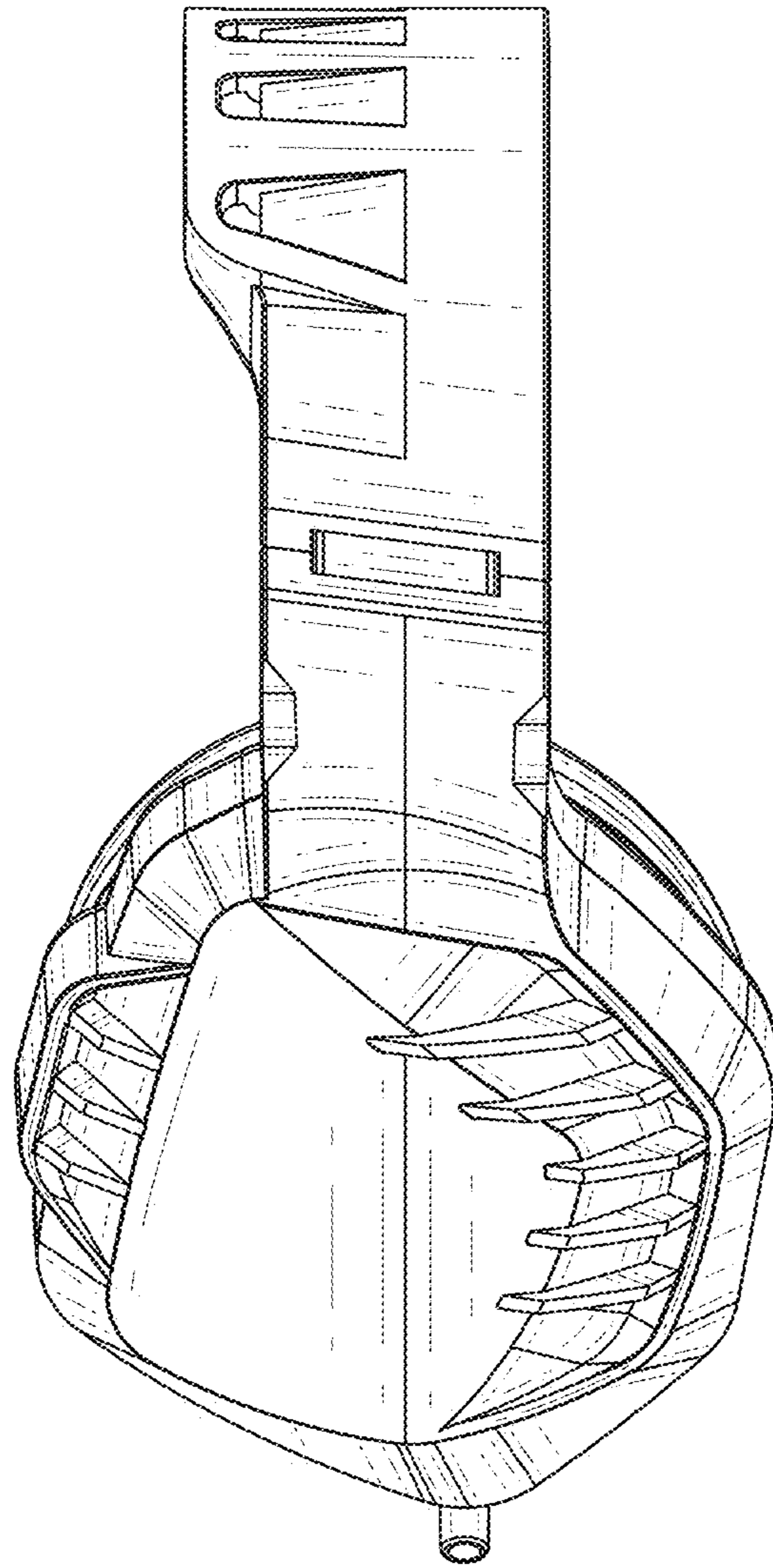


FIG. 4

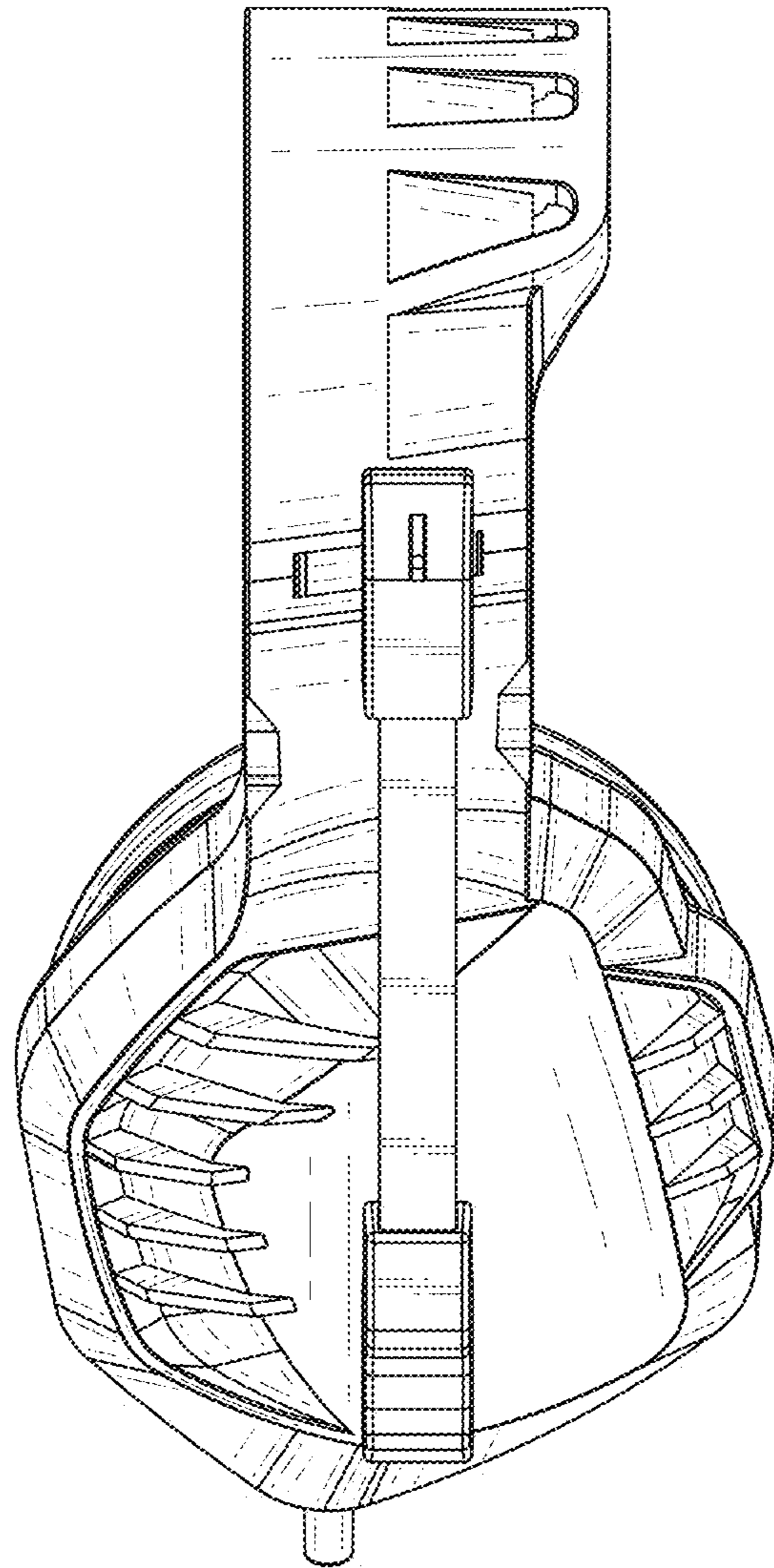


FIG. 5

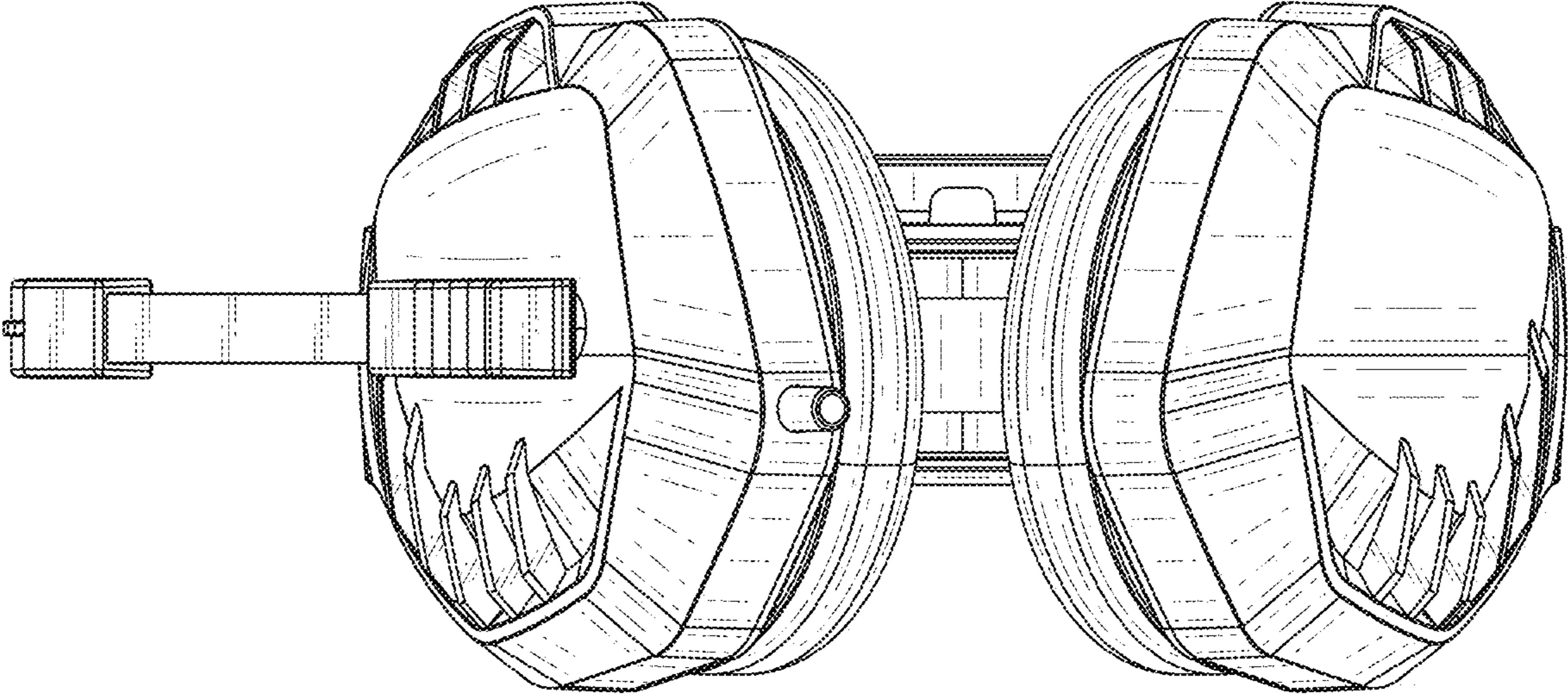


FIG. 6



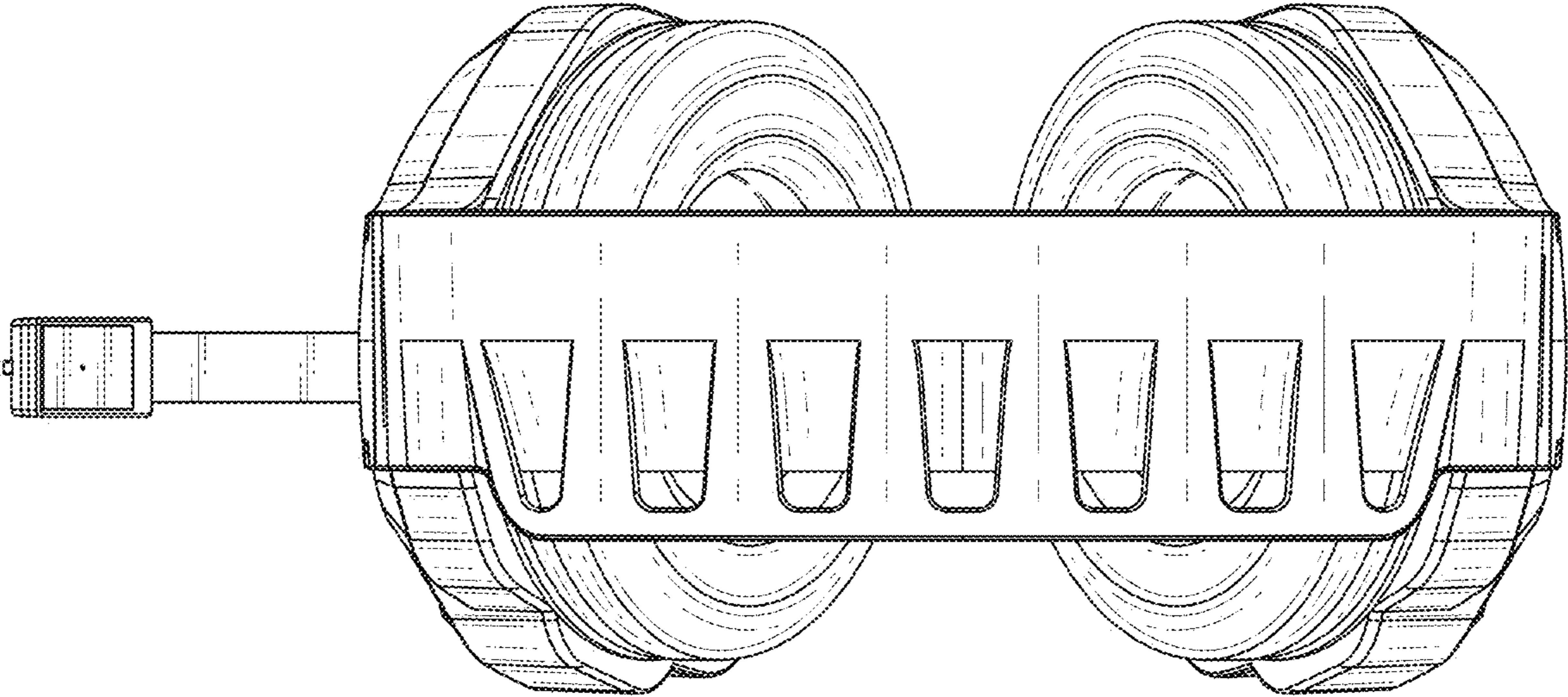


FIG. 7