



US00D883937S

(12) **United States Design Patent**
Ehrensward

(10) **Patent No.:** **US D883,937 S**

(45) **Date of Patent:** **** May 12, 2020**

(54) **USB-C PLUG**

(71) Applicant: **Yubico AB**, Stockholm (SE)

(72) Inventor: **Jakob Ehrensward**, Palo Alto, CA (US)

(73) Assignee: **YUBICO AB**, Stockholm (SE)

(**) Term: **15 Years**

(21) Appl. No.: **29/662,053**

(22) Filed: **Aug. 31, 2018**

(51) **LOC (12) Cl.** **13-03**

(52) **U.S. Cl.**

USPC **D13/147**

(58) **Field of Classification Search**

USPC D13/154, 155, 133, 153, 147

(Continued)

(56) **References Cited**

U.S. PATENT DOCUMENTS

D196,912 S * 11/1963 Kostich D13/147

D621,783 S * 8/2010 Riede D13/144

(Continued)

Primary Examiner — Bridget L Eland

(74) *Attorney, Agent, or Firm* — Fenwick & West LLP

(57) **CLAIM**

The ornamental design for a USB-C plug, as shown and described.

DESCRIPTION

FIG. 1 is a top, back, and right side perspective view of a first embodiment of a USB-C plug showing my new design;

FIG. 2 is a front view thereof, the back view being a mirror image thereof;

FIG. 3 is a left side view thereof, the right view being a mirror image thereof;

FIG. 4 is a top view thereof;

FIG. 5 is a bottom view thereof;

FIG. 6 is a top, back, and right side perspective view of a second embodiment of a USB-C plug showing my new design;

FIG. 7 is a front view thereof, the back view being a mirror image thereof;

FIG. 8 is a left side view thereof, the right view being a mirror image thereof;

FIG. 9 is a top view thereof;

FIG. 10 is a bottom view thereof;

FIG. 11 is a top, back, and right side perspective view of a third embodiment of a USB-C plug showing my new design;

FIG. 12 is a back view thereof;

FIG. 13 is a front view thereof;

FIG. 14 is a right side view thereof;

FIG. 15 is a left side view thereof;

FIG. 16 is a top view thereof;

FIG. 17 is a bottom view thereof;

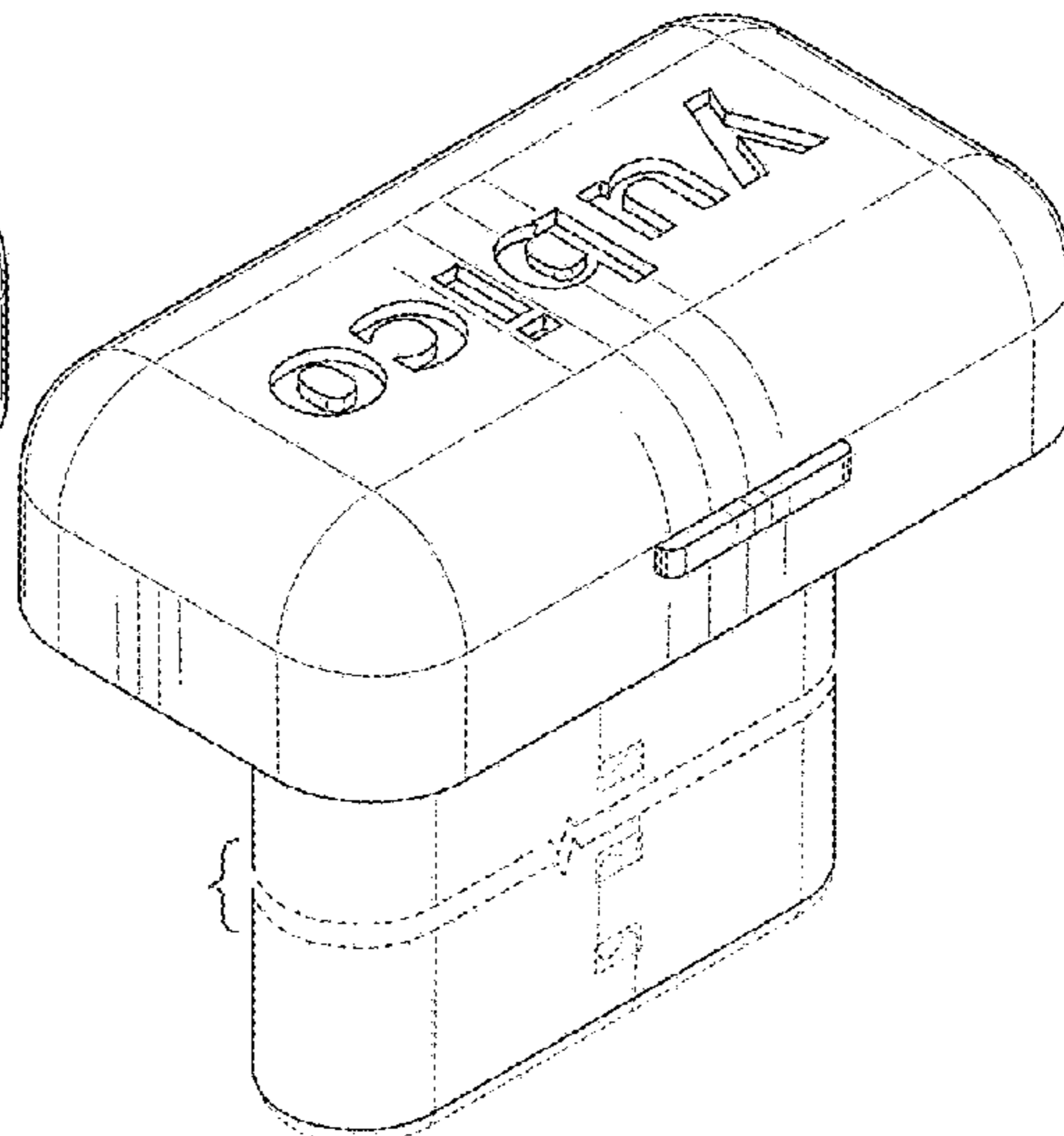
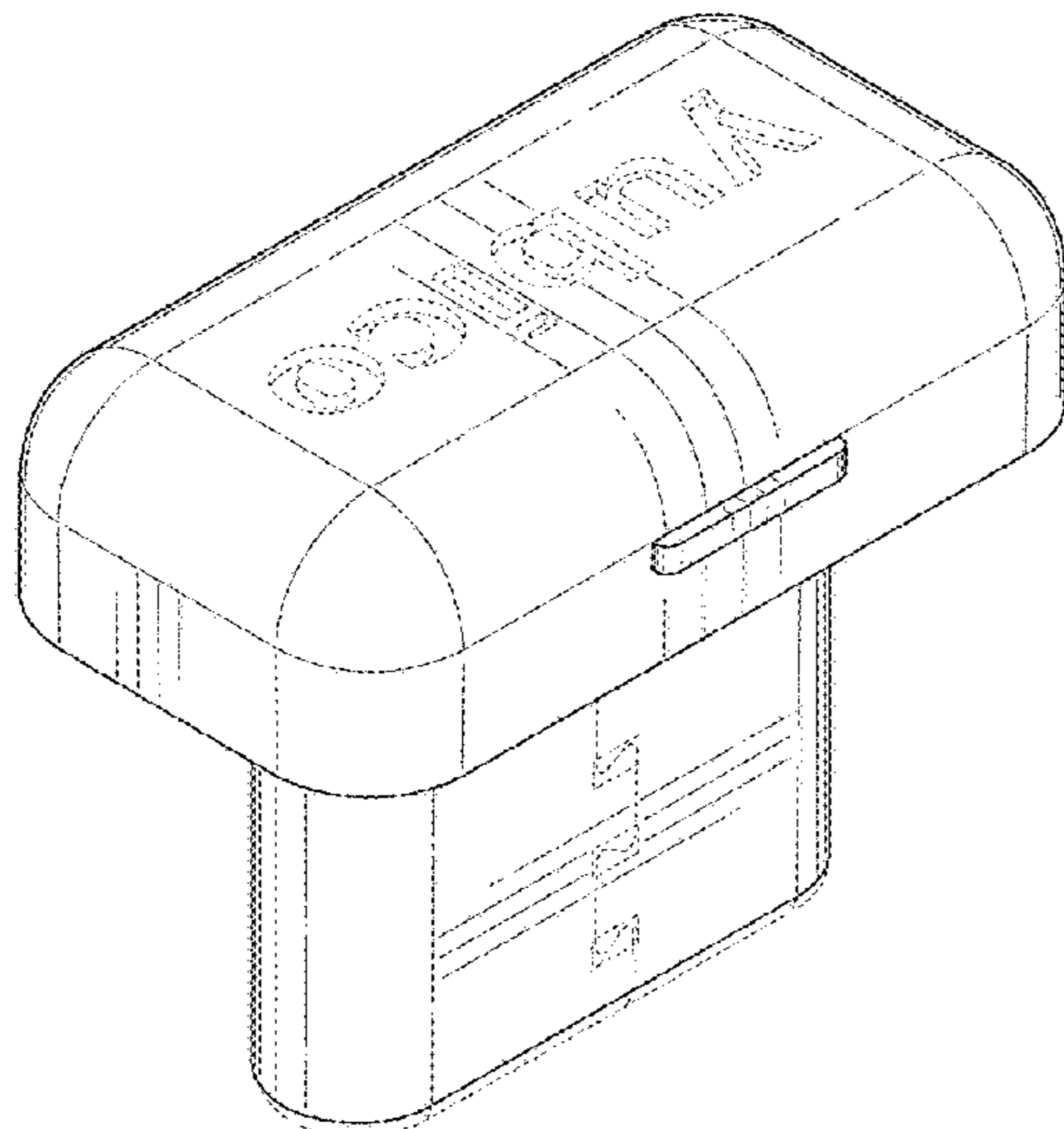
FIG. 18 is a top, back, and right side perspective view of a fourth embodiment of a USB-C plug showing my new design; and,

FIG. 19 is a top view thereof, the back view being identical to the FIG. 12 view, the front view being identical to the FIG. 13 view, the right side view being identical to the FIG. 14 view, the left view being identical to the FIG. 15 view, and the bottom view being identical to the FIG. 17 view.

The broken lines immediately adjacent the shaded areas on the top surface in FIGS. 1, 4, 6, 9, 11, and 16, represent the bounds of the claimed design while all other broken lines are directed to environment and are for illustrative purposes only; the broken lines form no part of the claimed design of the embodiments in which they are shown. The brackets and broken away symbols in the drawings indicate the appearance of any portion of the article between the break lines forms no part of the claimed design.

The logo trademark forming part of the disclosure in Embodiments 1-3 and forming part of the claimed design in Embodiment 4 is a registered trademark of Yubico AB CORPORATION SWEDEN.

1 Claim, 19 Drawing Sheets



(58) **Field of Classification Search**

CPC H01R 24/64; H01R 13/516; H01R 13/10;
H01R 13/50; H01R 2107/00; H01R
13/6273; H01R 2201/06

See application file for complete search history.

(56) **References Cited**

U.S. PATENT DOCUMENTS

D704,669	S *	5/2014	Casagrande	D13/156
D709,836	S *	7/2014	Casagrande	D13/156
D711,329	S *	8/2014	Casagrande	D13/156
D813,169	S *	3/2018	Chen	D13/147
D826,864	S *	8/2018	Hoffart	D13/147
2015/0004835	A1 *	1/2015	Allwood	H04Q 1/06 439/607.25

* cited by examiner

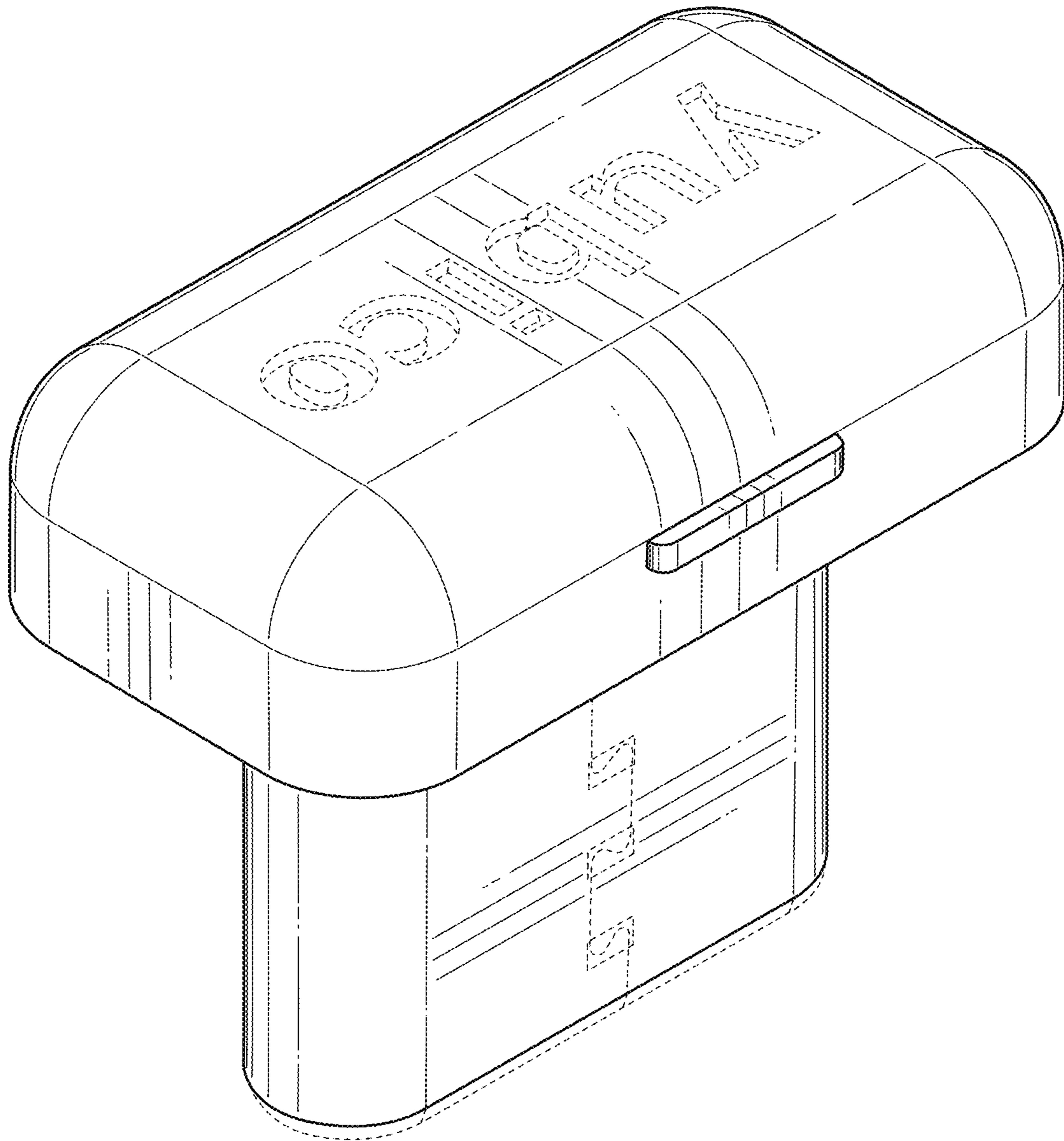


FIG. 1

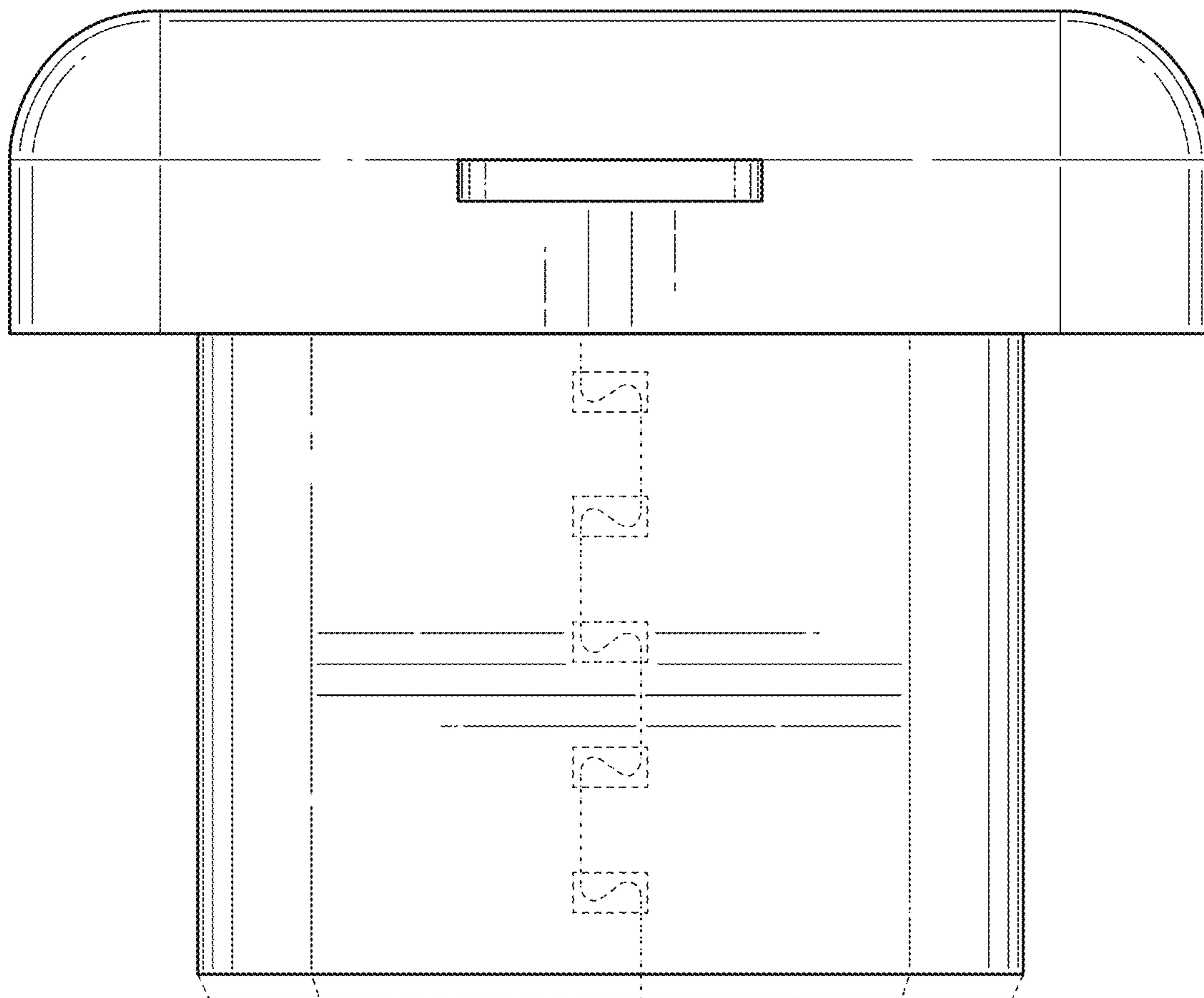


FIG. 2

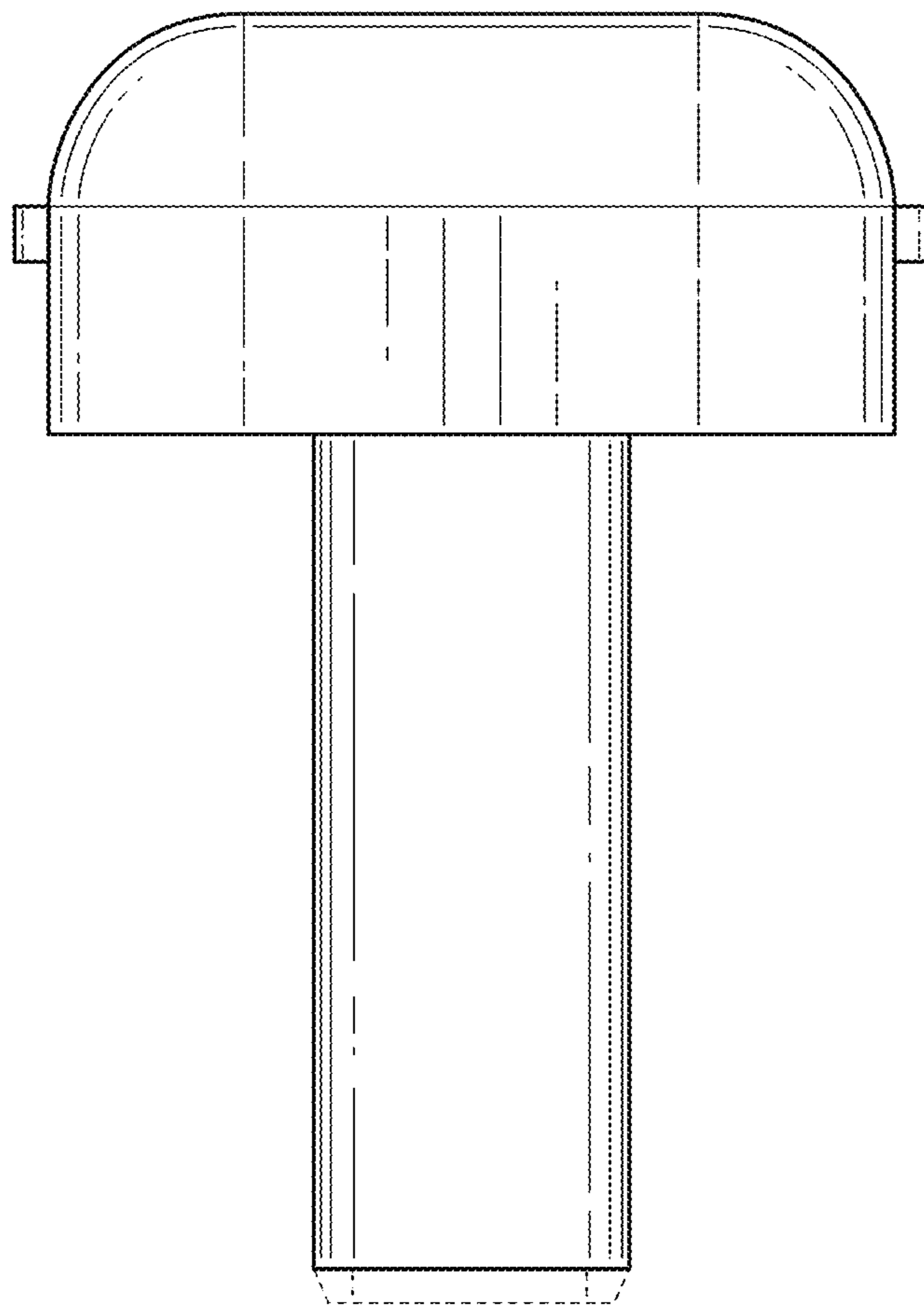


FIG. 3

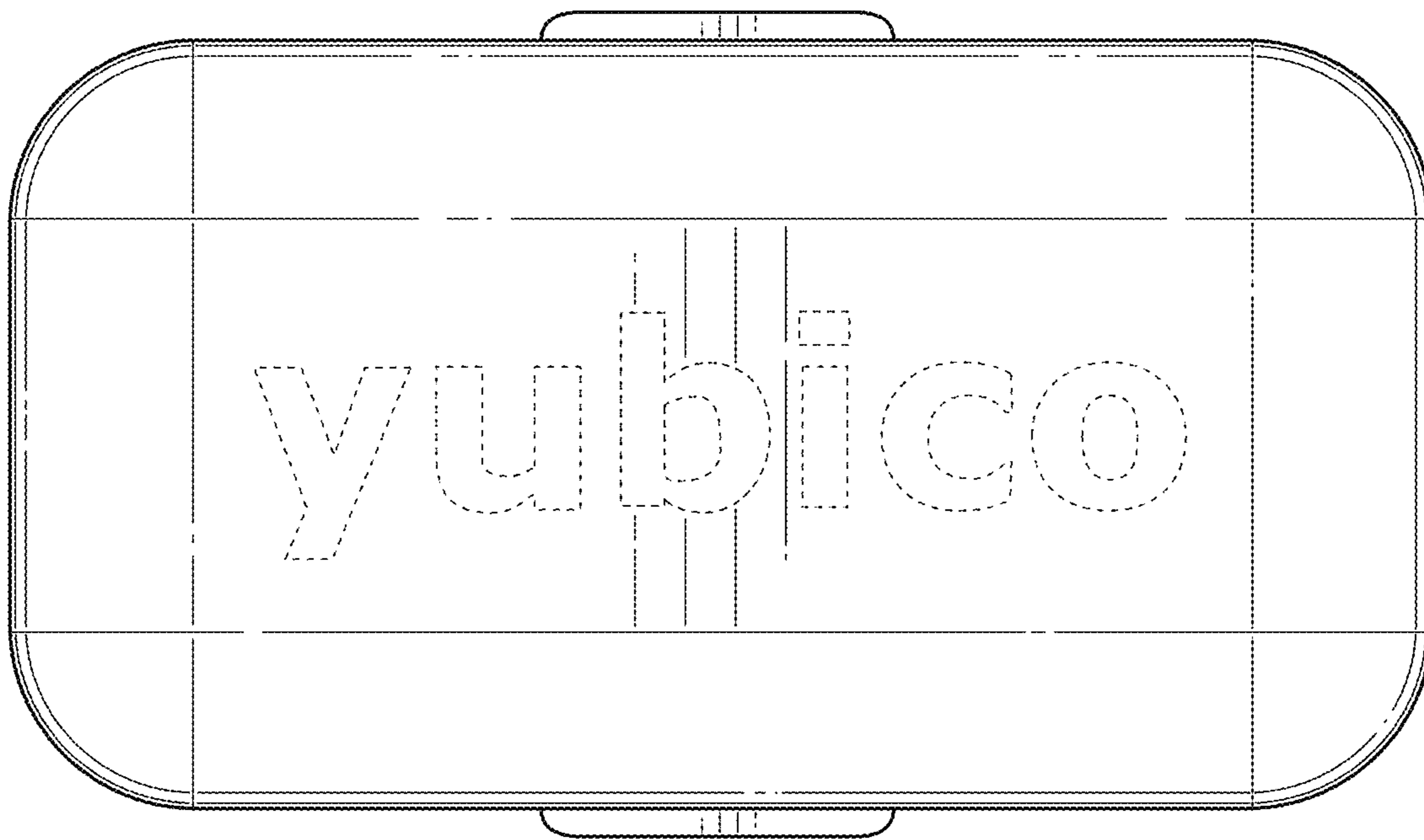


FIG. 4

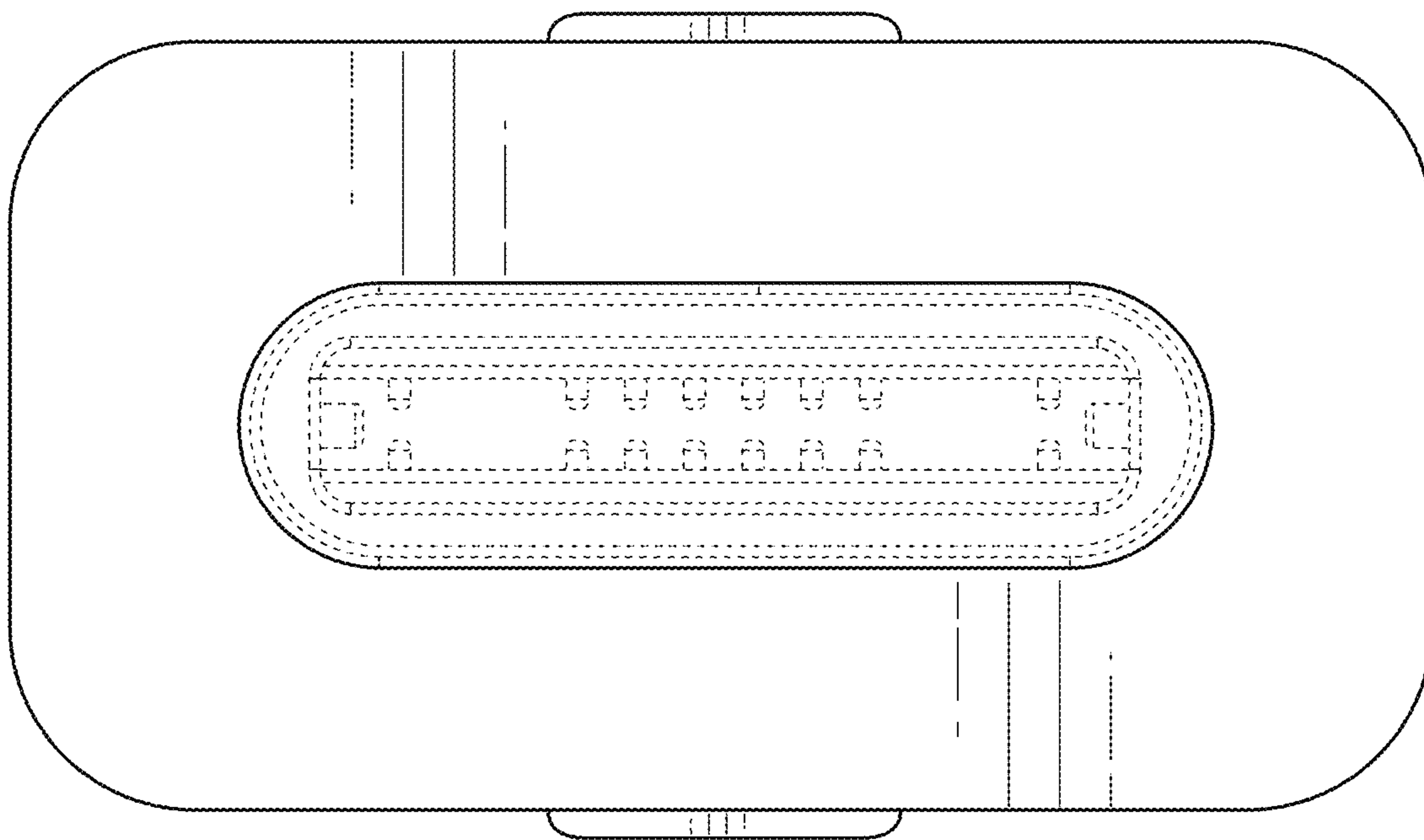


FIG. 5

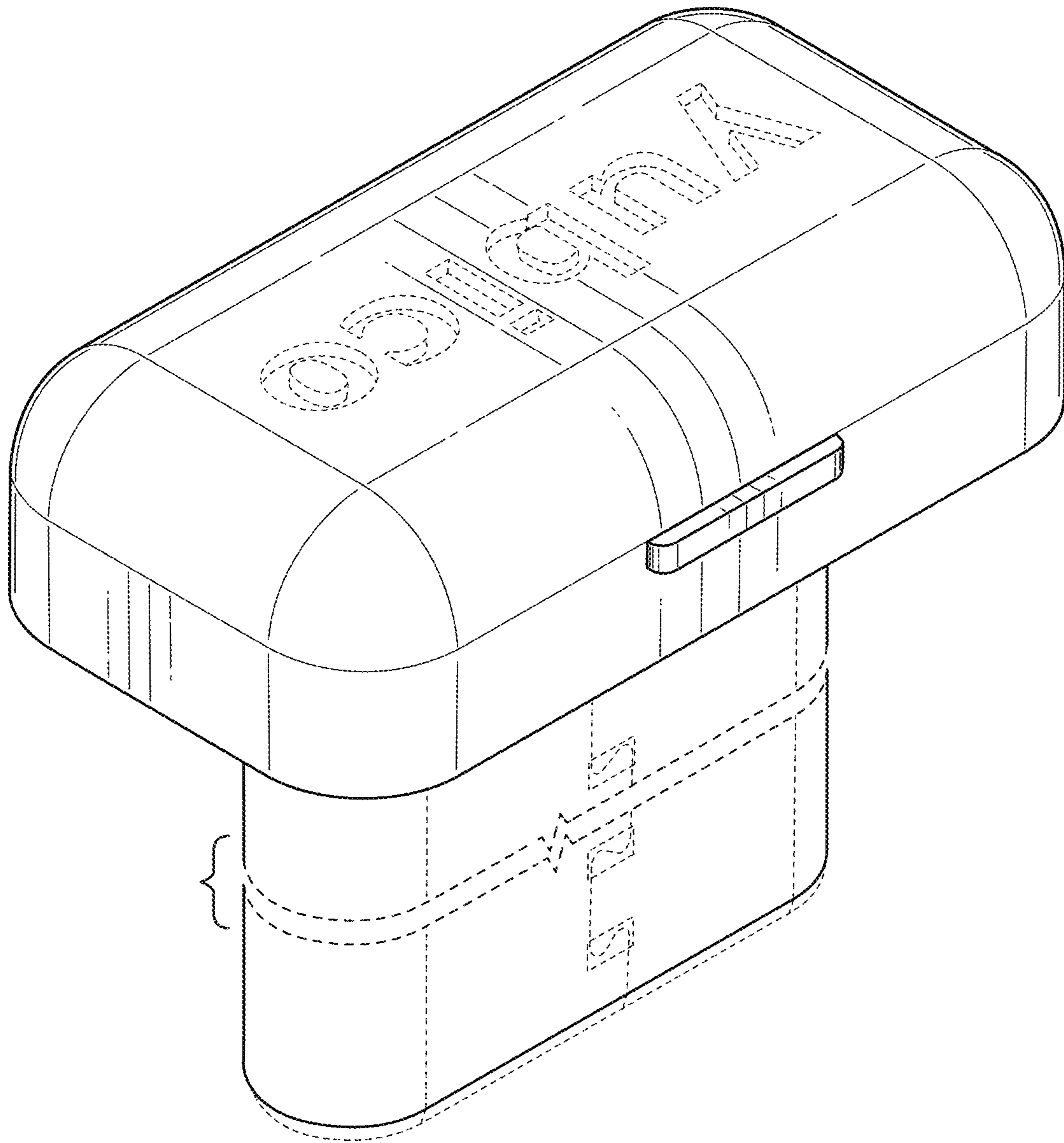


FIG. 6

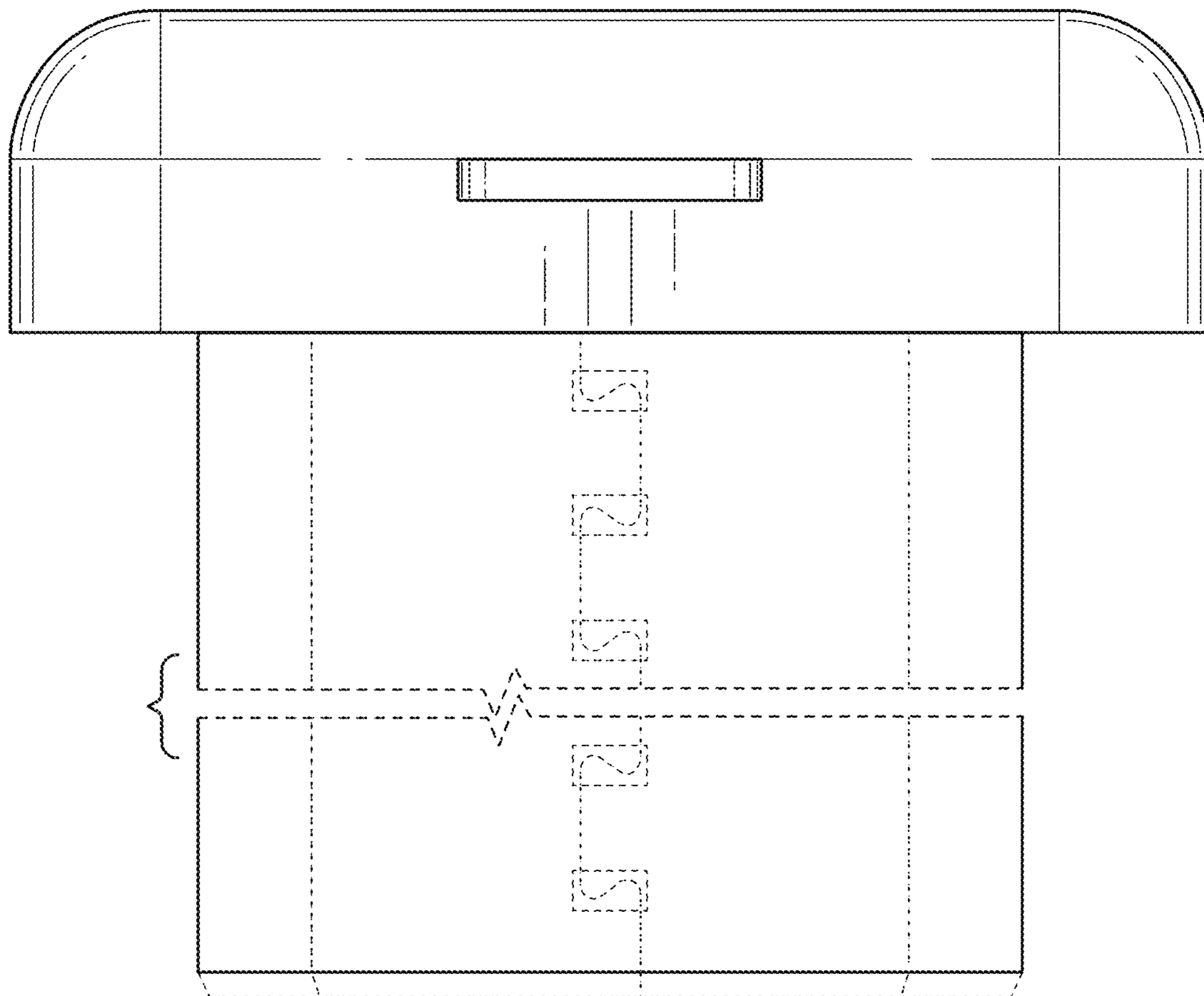


FIG. 7

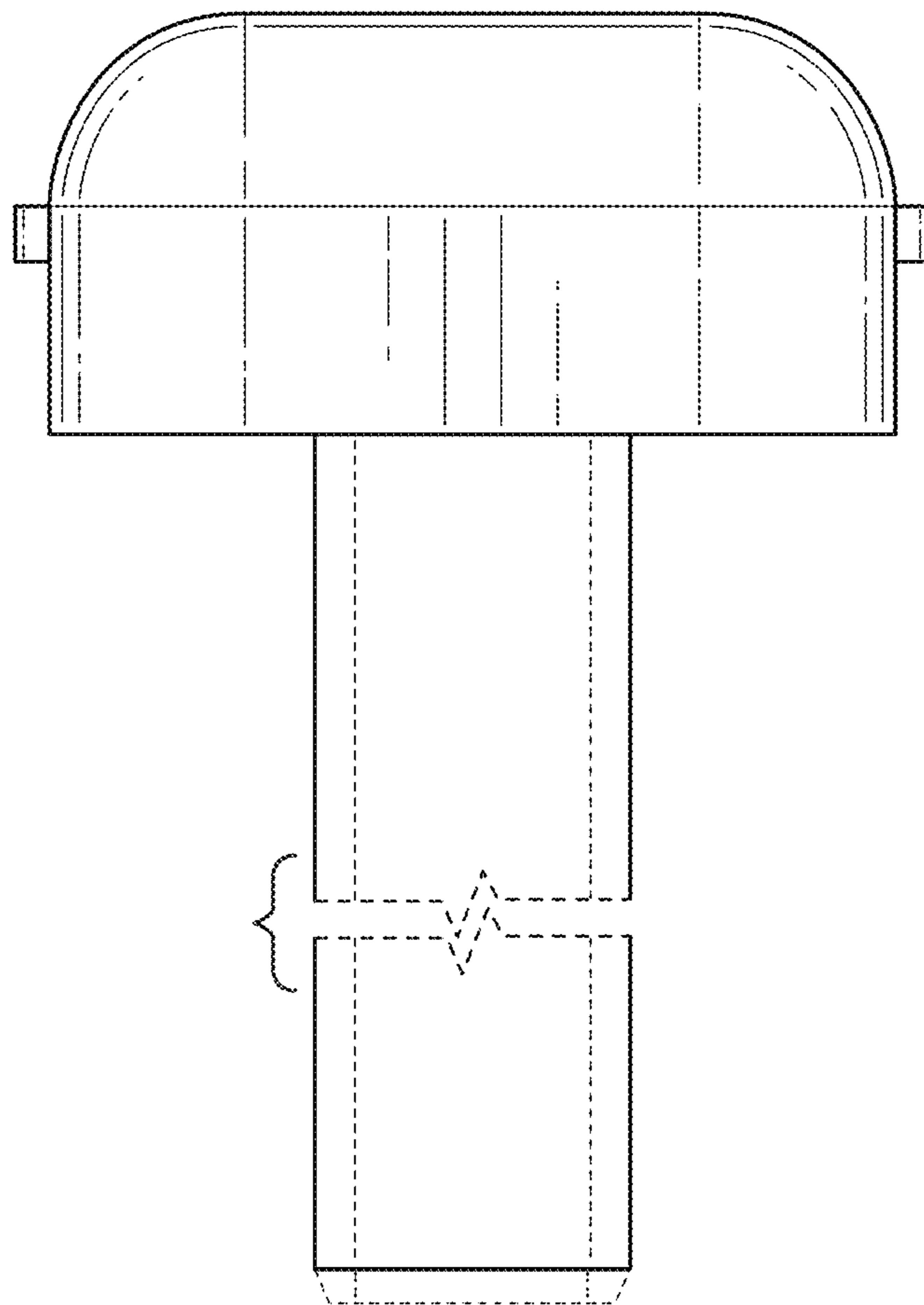


FIG. 8

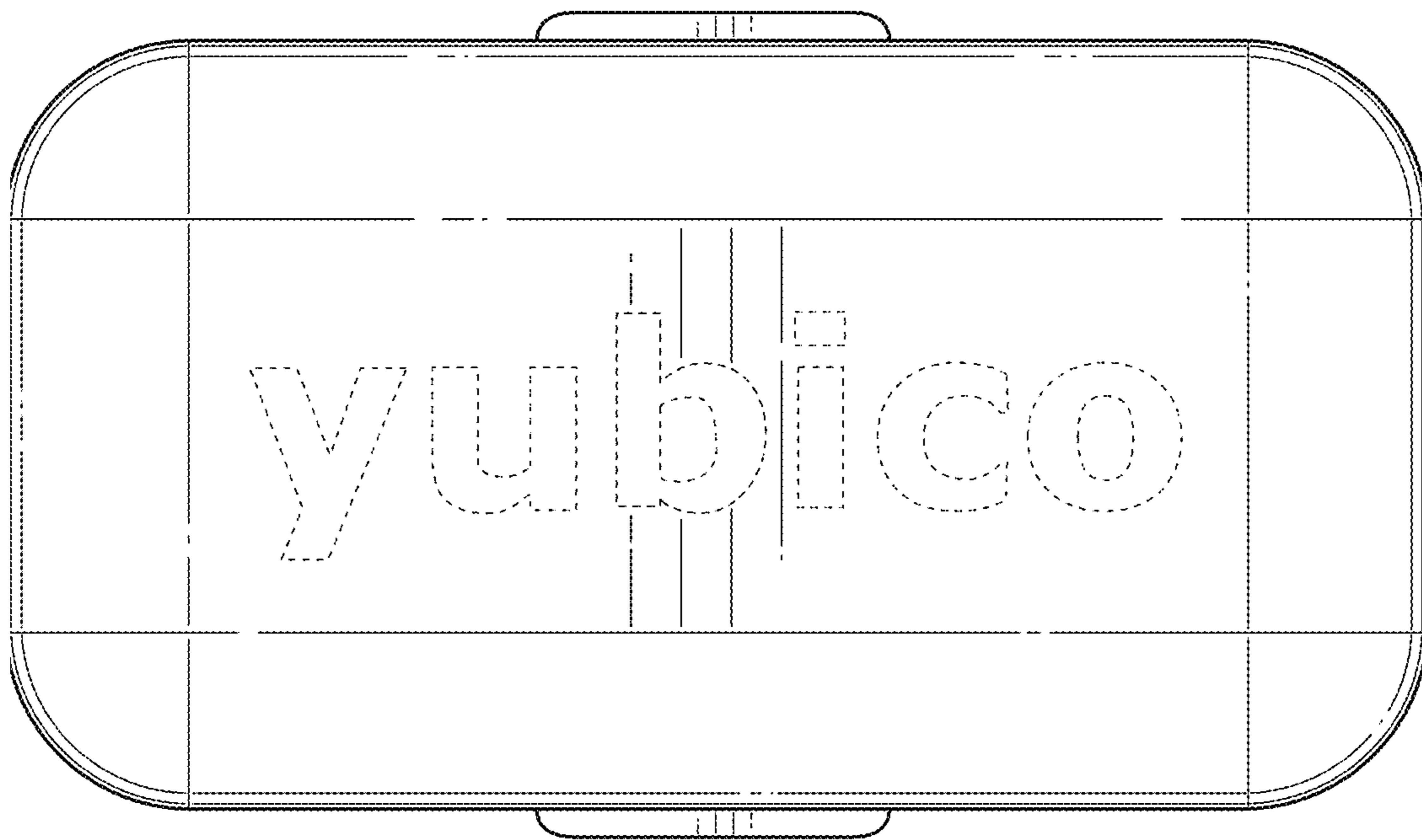


FIG. 9

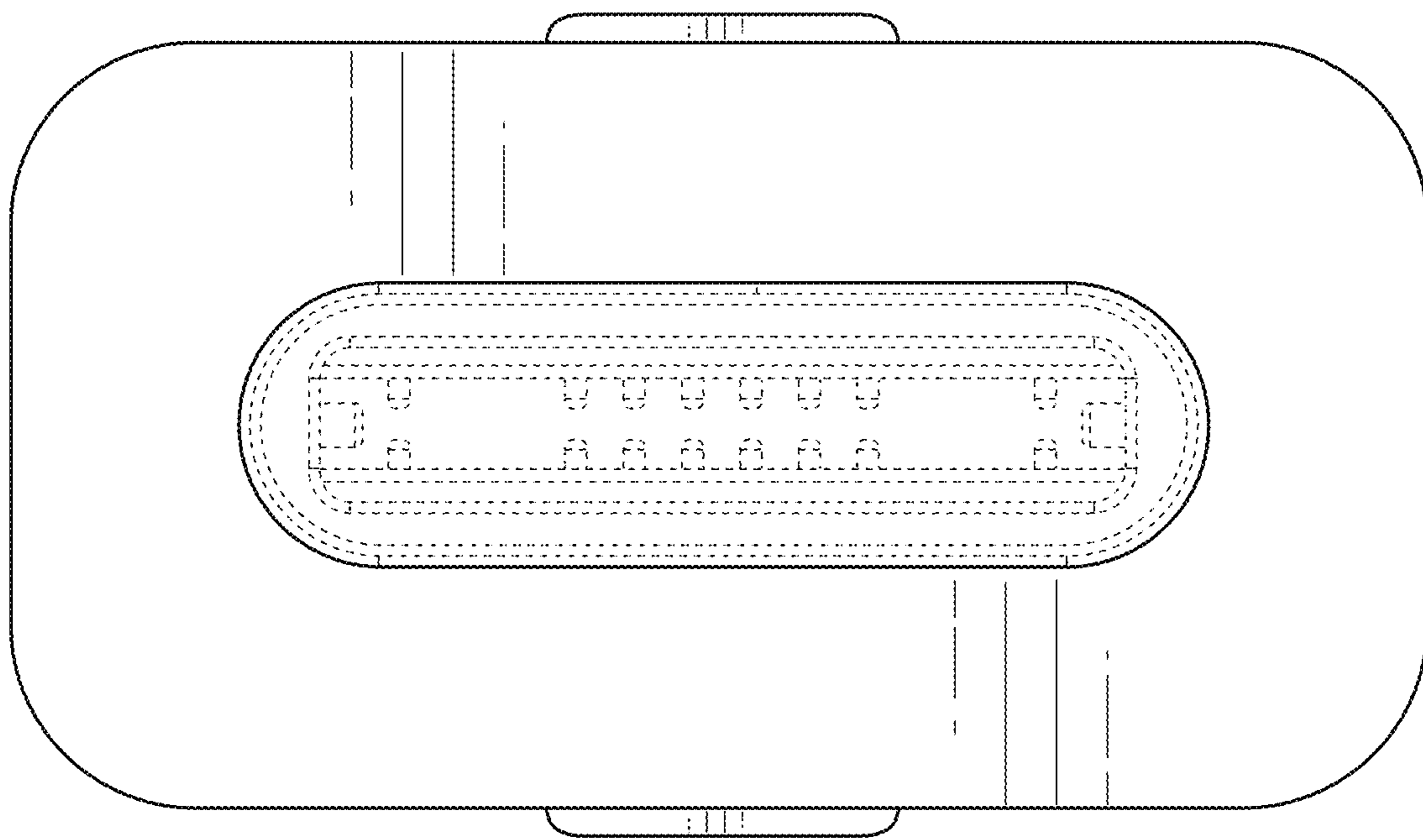


FIG. 10

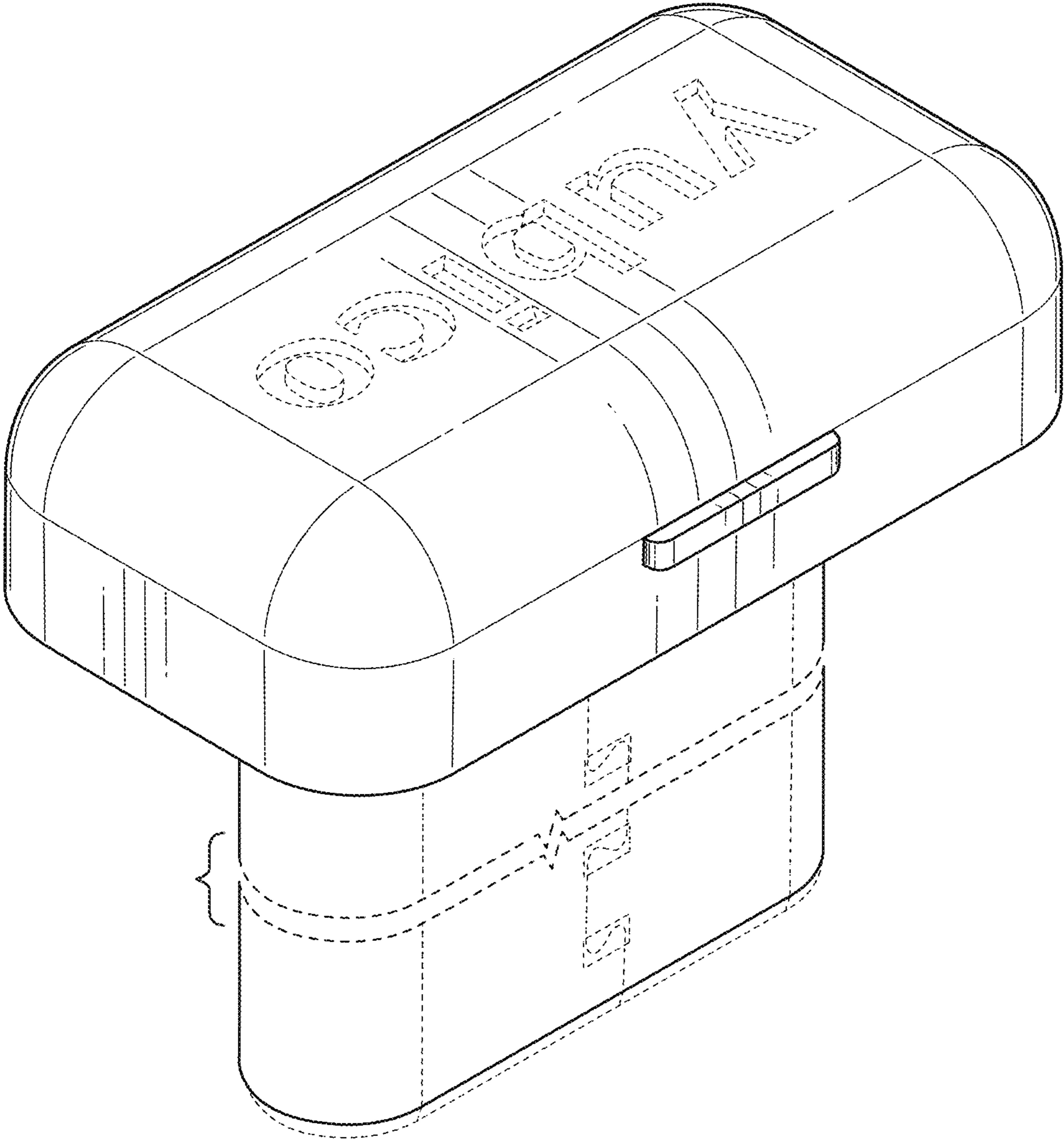


FIG. 11

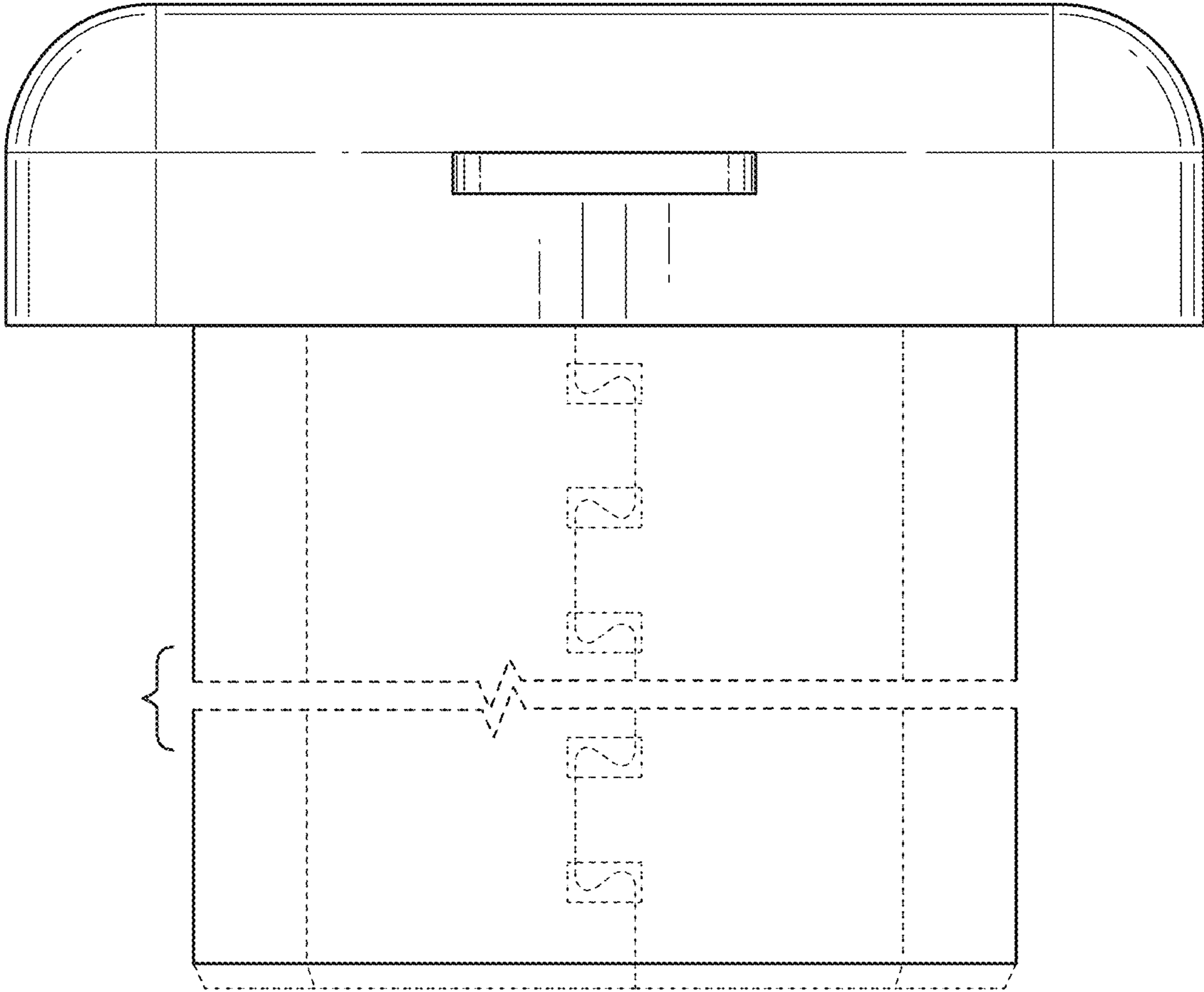


FIG. 12

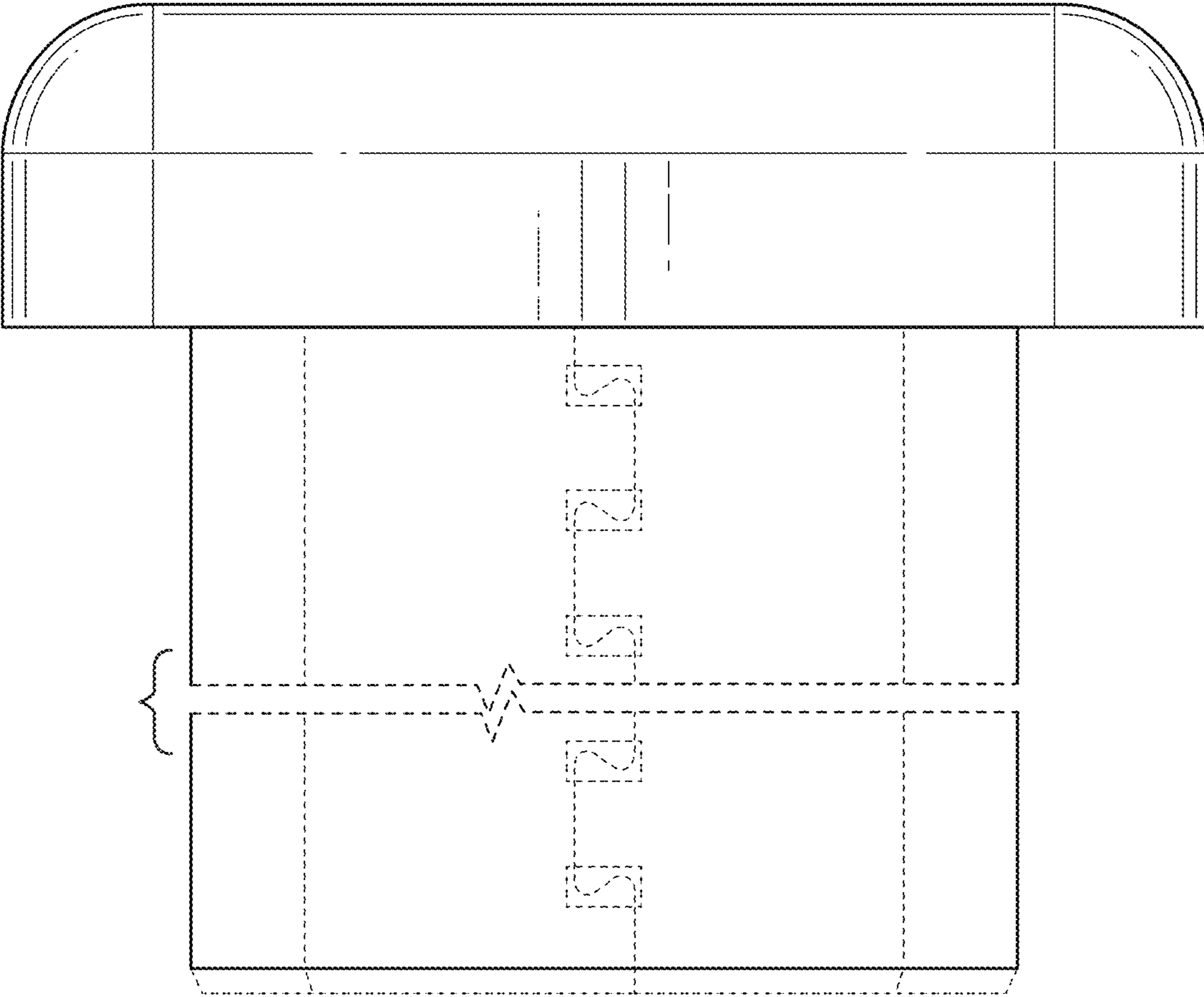


FIG. 13

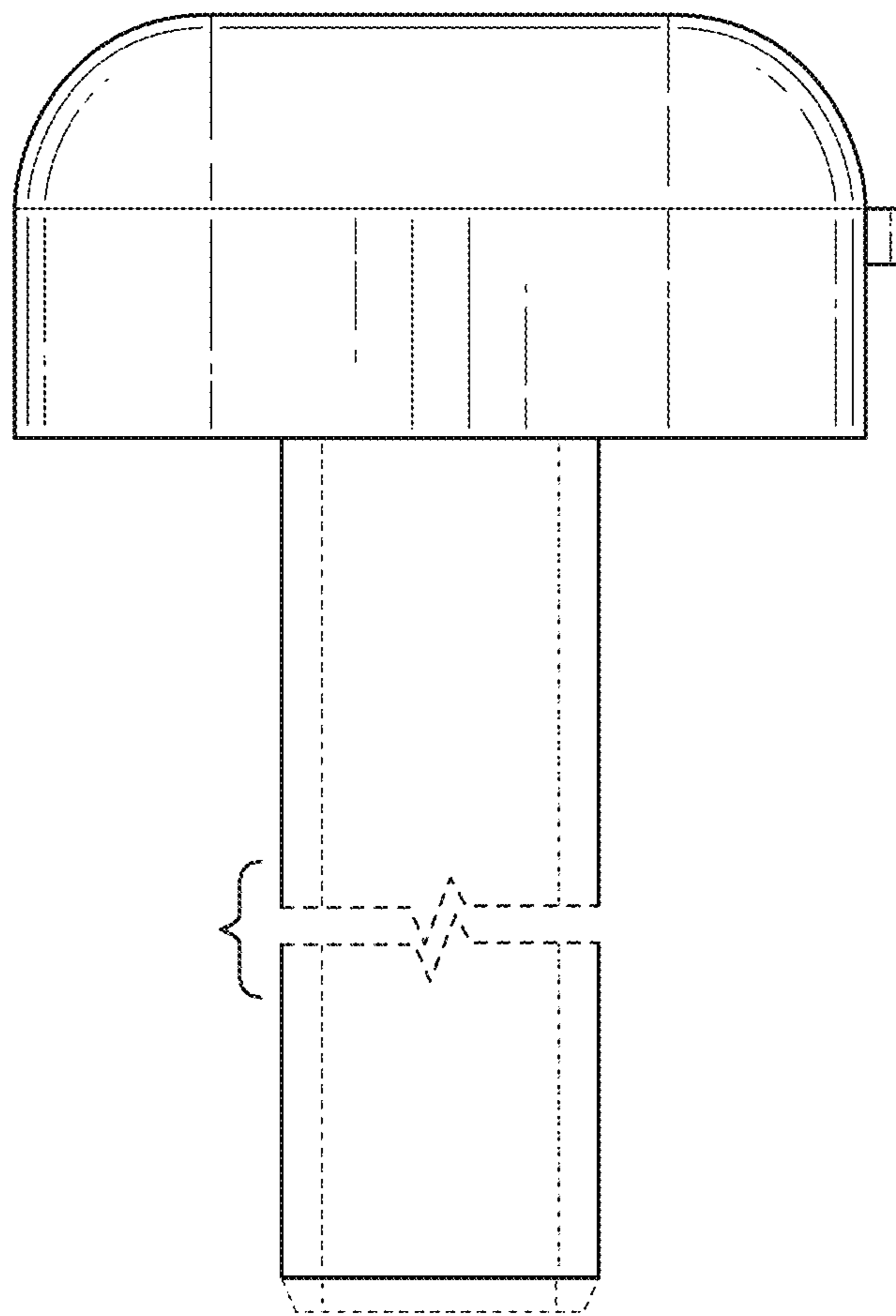


FIG. 14

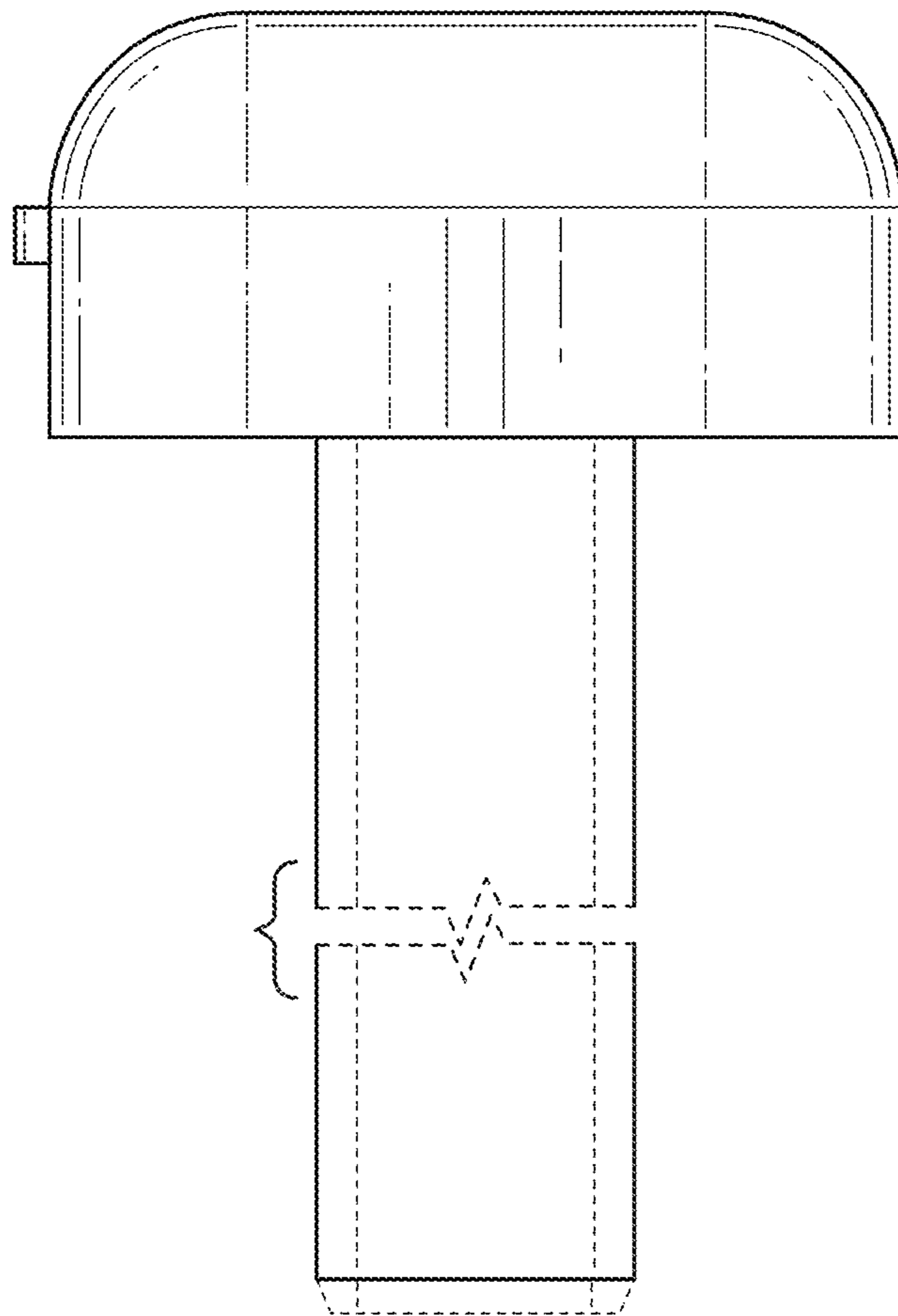


FIG. 15

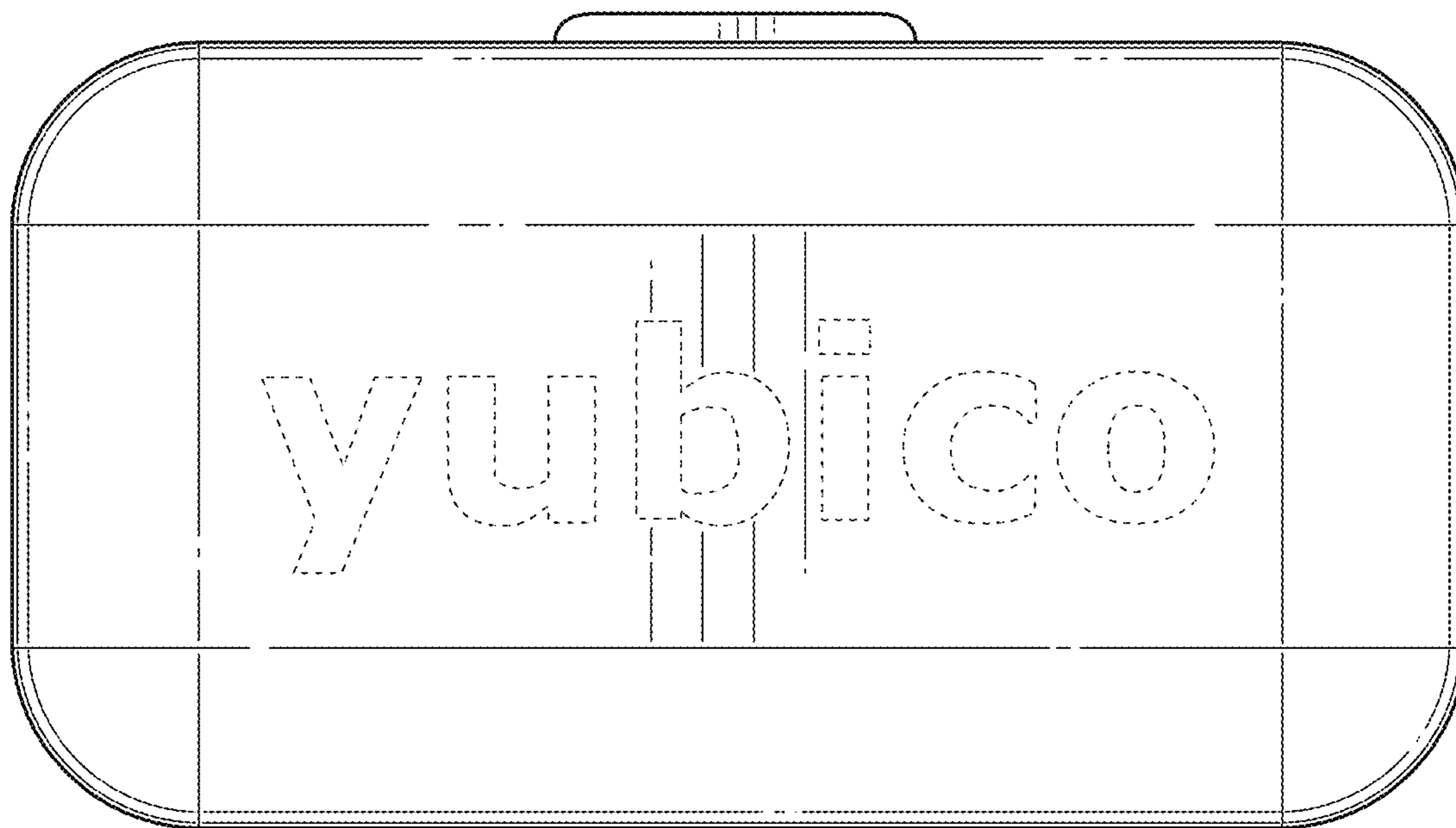


FIG. 16

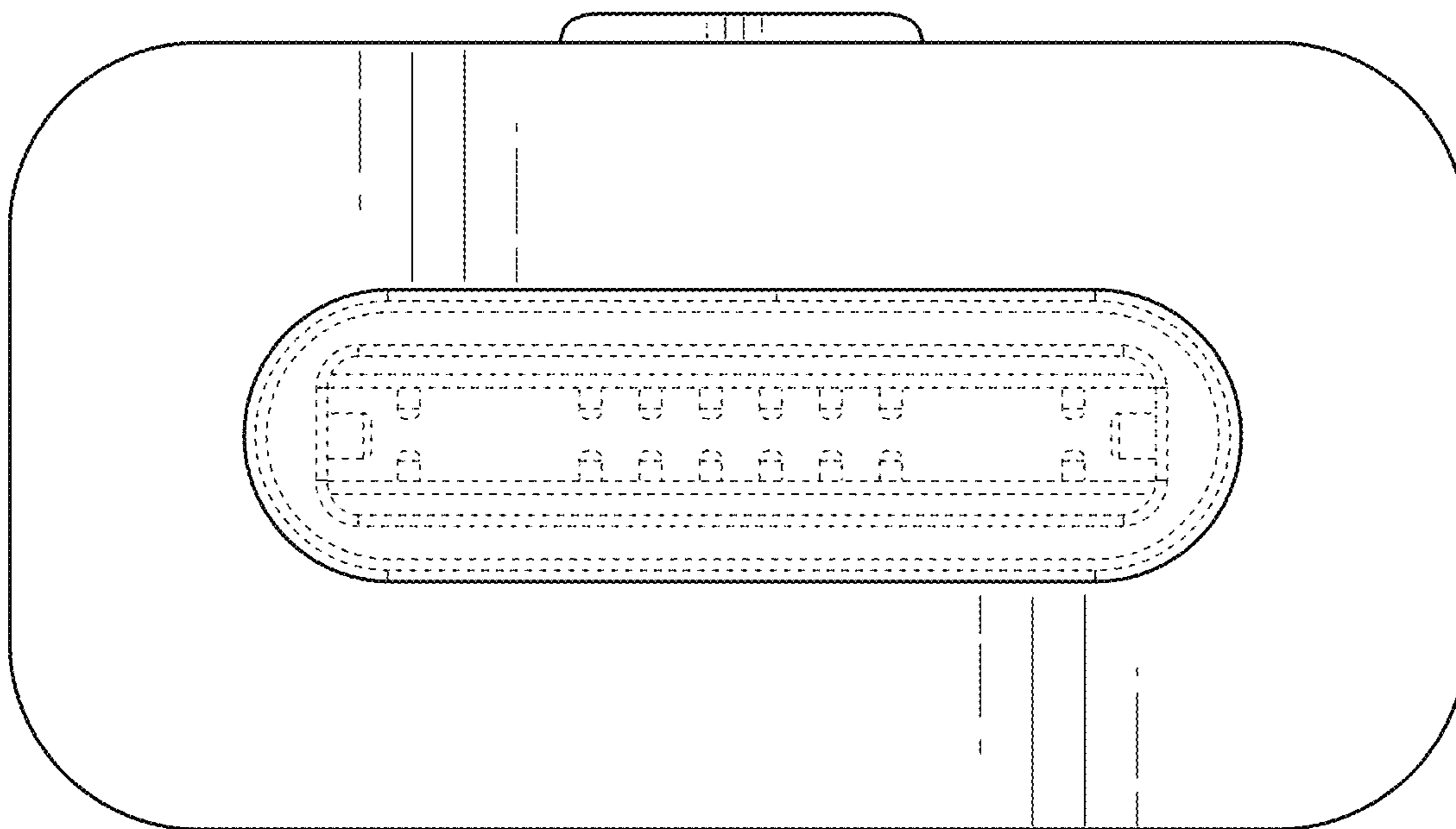


FIG. 17

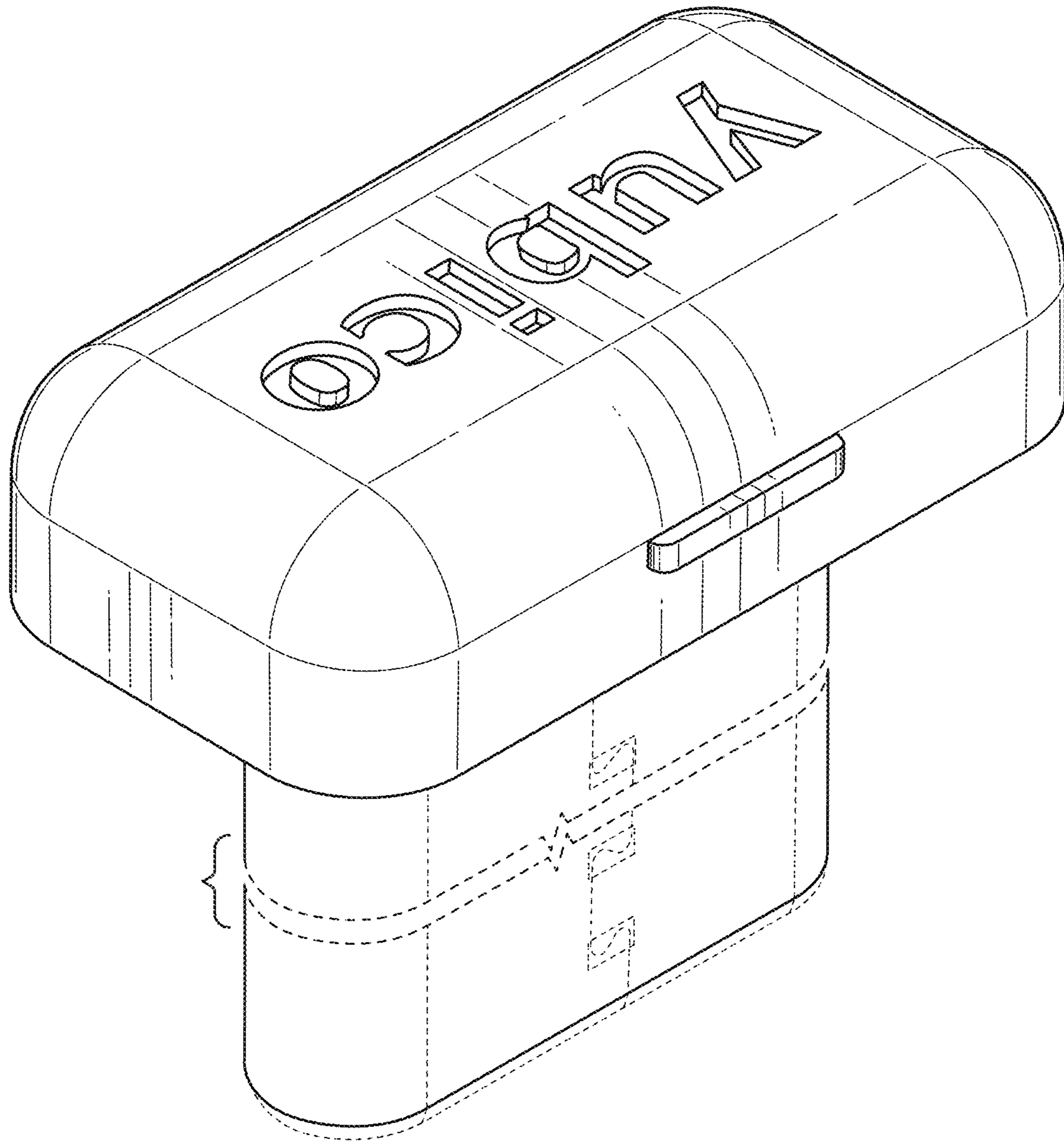


FIG. 18

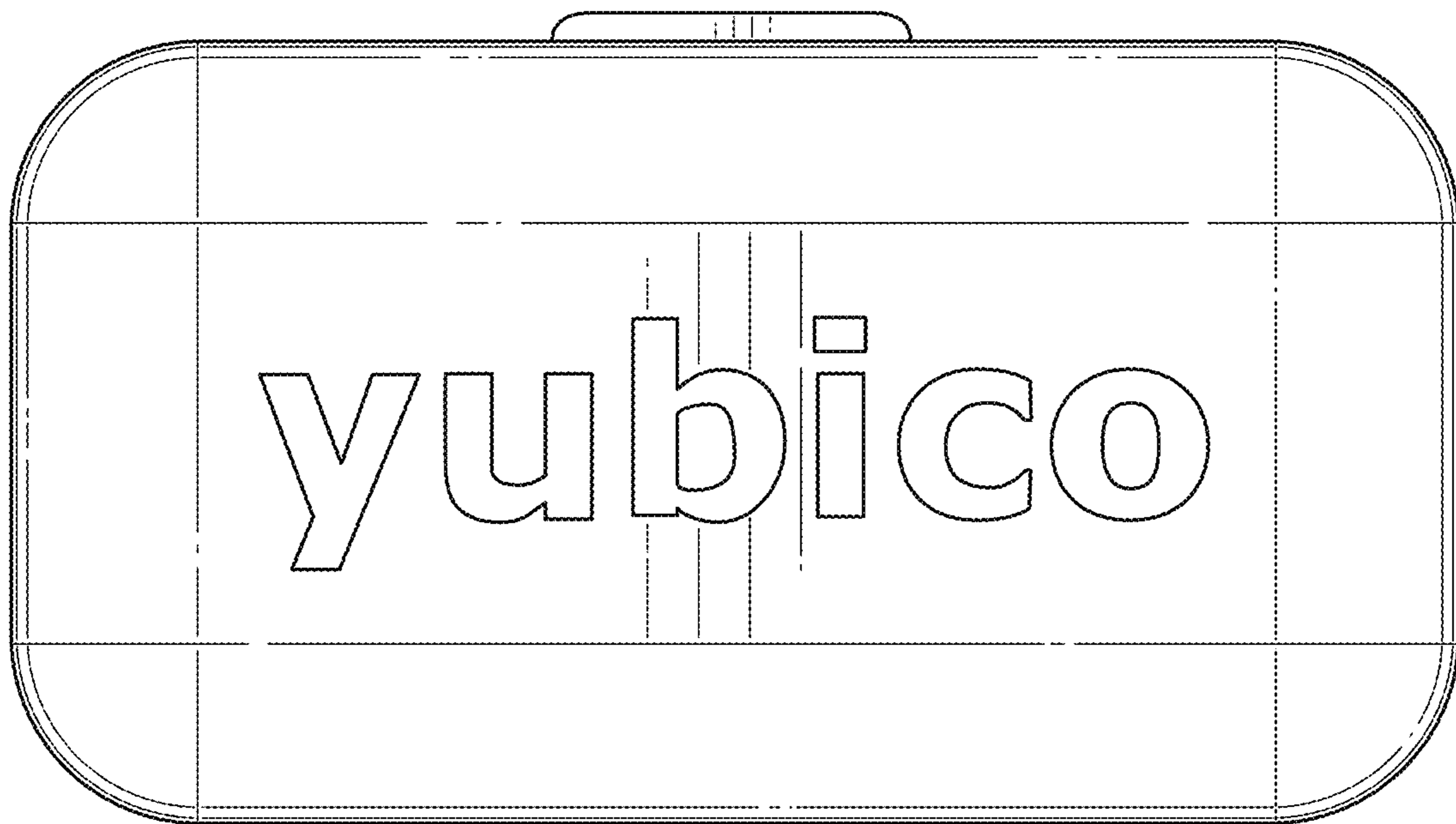


FIG. 19