



US00D883935S

(12) **United States Design Patent**  
**Kito**

(10) **Patent No.:** **US D883,935 S**

(45) **Date of Patent:** **\*\* May 12, 2020**

(54) **CHARGING CONNECTOR FOR AN  
AUTOMOBILE**

(71) Applicant: **SUMITOMO WIRING SYSTEMS,  
LTD.**, Yokkaichi-Shi, Mie-Ken (JP)

(72) Inventor: **Yu Kito**, Yokkaichi (JP)

(73) Assignee: **SUMITOMO WIRING SYSTEMS,  
LTD.**, Yokkaichi-Shi, Mie-Ken (JP)

(\*\*) Term: **15 Years**

(21) Appl. No.: **29/649,741**

(22) Filed: **Jun. 1, 2018**

(30) **Foreign Application Priority Data**

Dec. 5, 2017 (JP) ..... 2017-027115

(51) **LOC (12) Cl.** ..... **13-03**

(52) **U.S. Cl.**  
USPC ..... **D13/147**

(58) **Field of Classification Search**  
USPC ..... D13/133, 146, 147, 123, 137.1-139.8,  
D13/154  
CPC ..... H01R 13/6683; H01R 13/501; H01R  
13/4223; H01R 13/428; H01R 13/629;  
H01R 13/502; H01R 2201/26  
See application file for complete search history.

(56) **References Cited**

**U.S. PATENT DOCUMENTS**

D560,168 S \* 1/2008 McCoy ..... D13/133  
D601,504 S \* 10/2009 Rupp ..... D13/147  
D601,965 S \* 10/2009 Rupp ..... D13/147  
D614,138 S \* 4/2010 Blixt ..... D13/147  
D644,609 S \* 9/2011 Marroquin ..... D13/147

D649,938 S \* 12/2011 Erickson ..... D13/147  
D649,939 S \* 12/2011 Erickson ..... D13/147  
D747,271 S \* 1/2016 Endo ..... D13/147  
D806,040 S \* 12/2017 Morris ..... D13/147  
D813,821 S \* 3/2018 Corona ..... D13/147  
2016/0248198 A1 \* 8/2016 Endo ..... H01R 13/6272  
2016/0344131 A1 \* 11/2016 Kanamori ..... H01R 13/4532  
2019/0199040 A1 \* 6/2019 Tanizaki ..... H01R 13/6683

**FOREIGN PATENT DOCUMENTS**

JP D1611312 \* 8/2018

\* cited by examiner

*Primary Examiner* — Bridget L Eland

(74) *Attorney, Agent, or Firm* — Grogan, Tuccillo &  
Vanderleeden, LLP

(57) **CLAIM**

The ornamental design for a charging connector for an  
automobile, as shown and described.

**DESCRIPTION**

FIG. 1 is a perspective view of a charging connector for an  
automobile showing my new design;  
FIG. 2 is a front view thereof;  
FIG. 3 is a rear view thereof;  
FIG. 4 is a top plan view thereof;  
FIG. 5 is a bottom plan view thereof;  
FIG. 6 is a right side view thereof; and,  
FIG. 7 is a left side view thereof.

The broken lines are directed to environment and are for  
illustrative purposes only; the broken lines form no part of  
the claimed design. In addition, the unshaded surface  
between the outermost claimed solid line edge and the  
broken line forms no part of the claimed design.

**1 Claim, 7 Drawing Sheets**

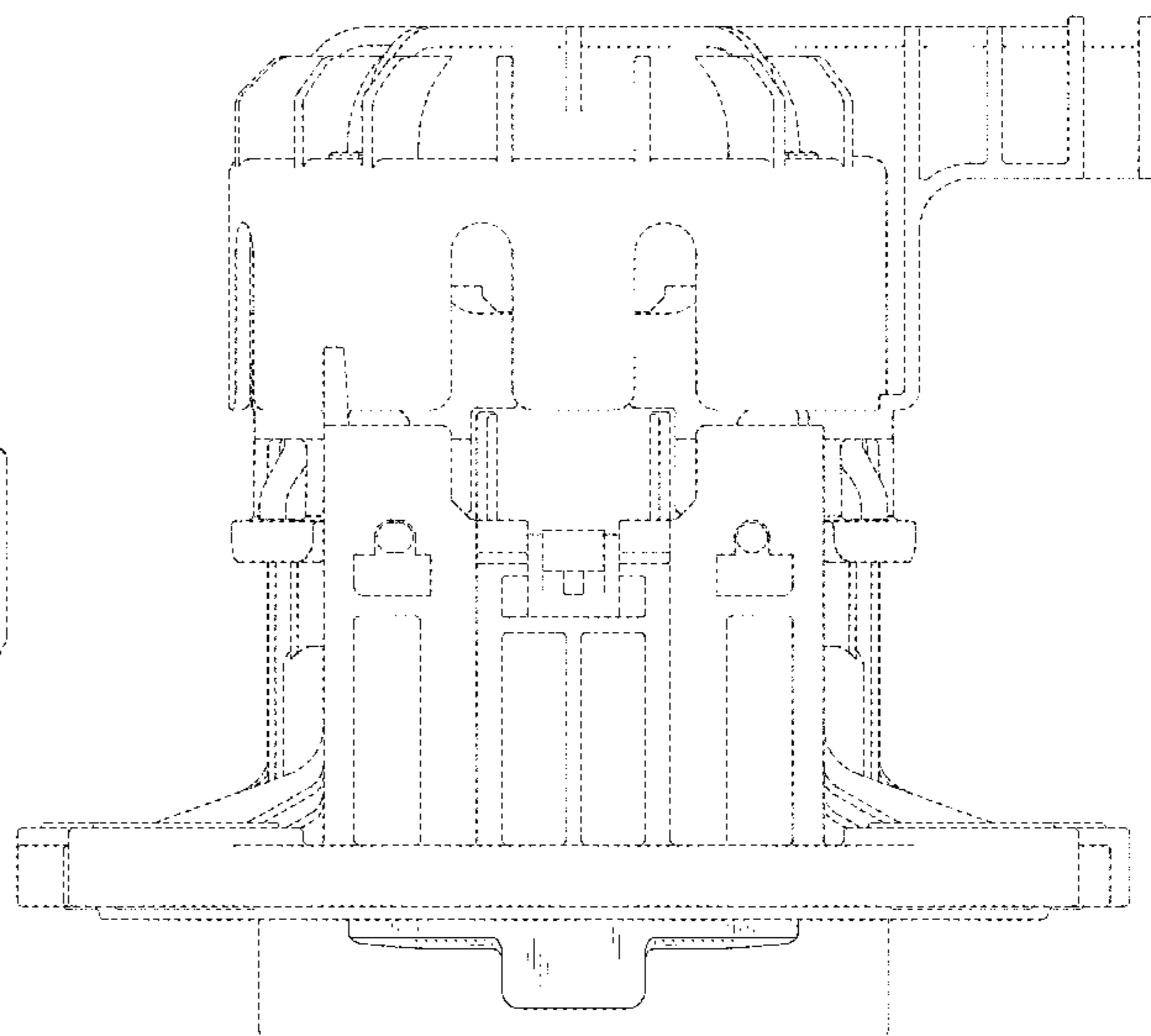
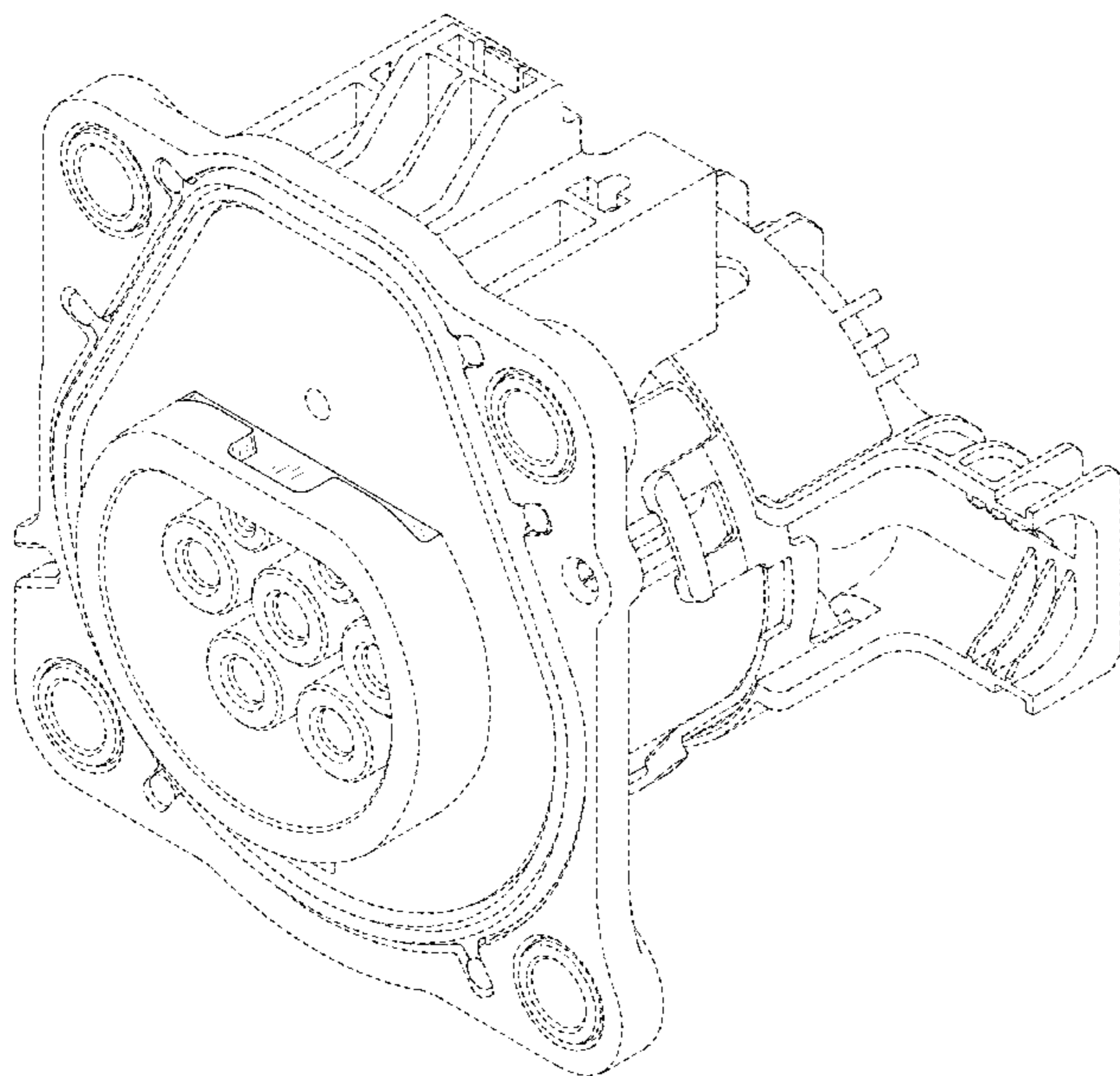


FIG.1

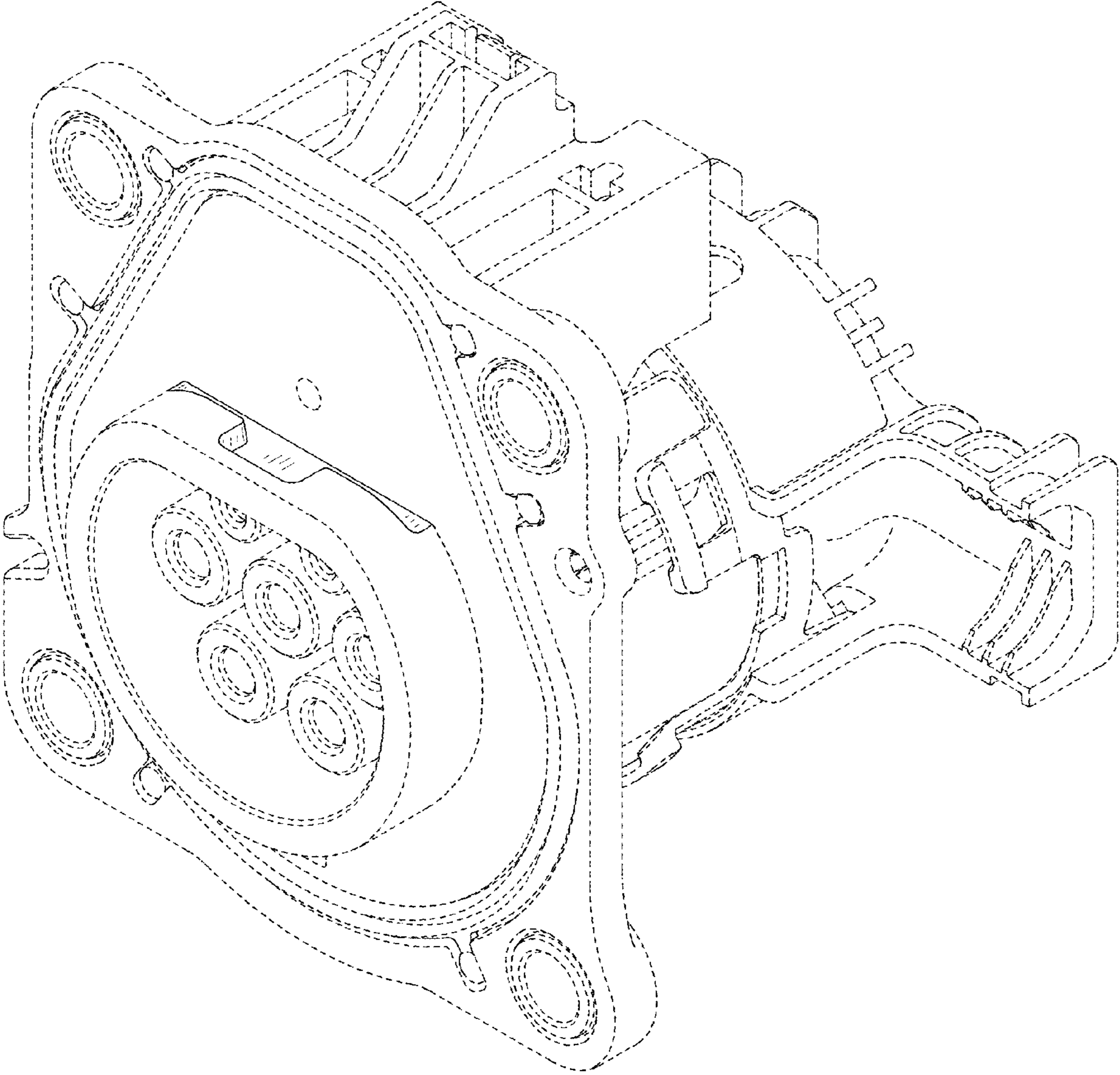


FIG.2

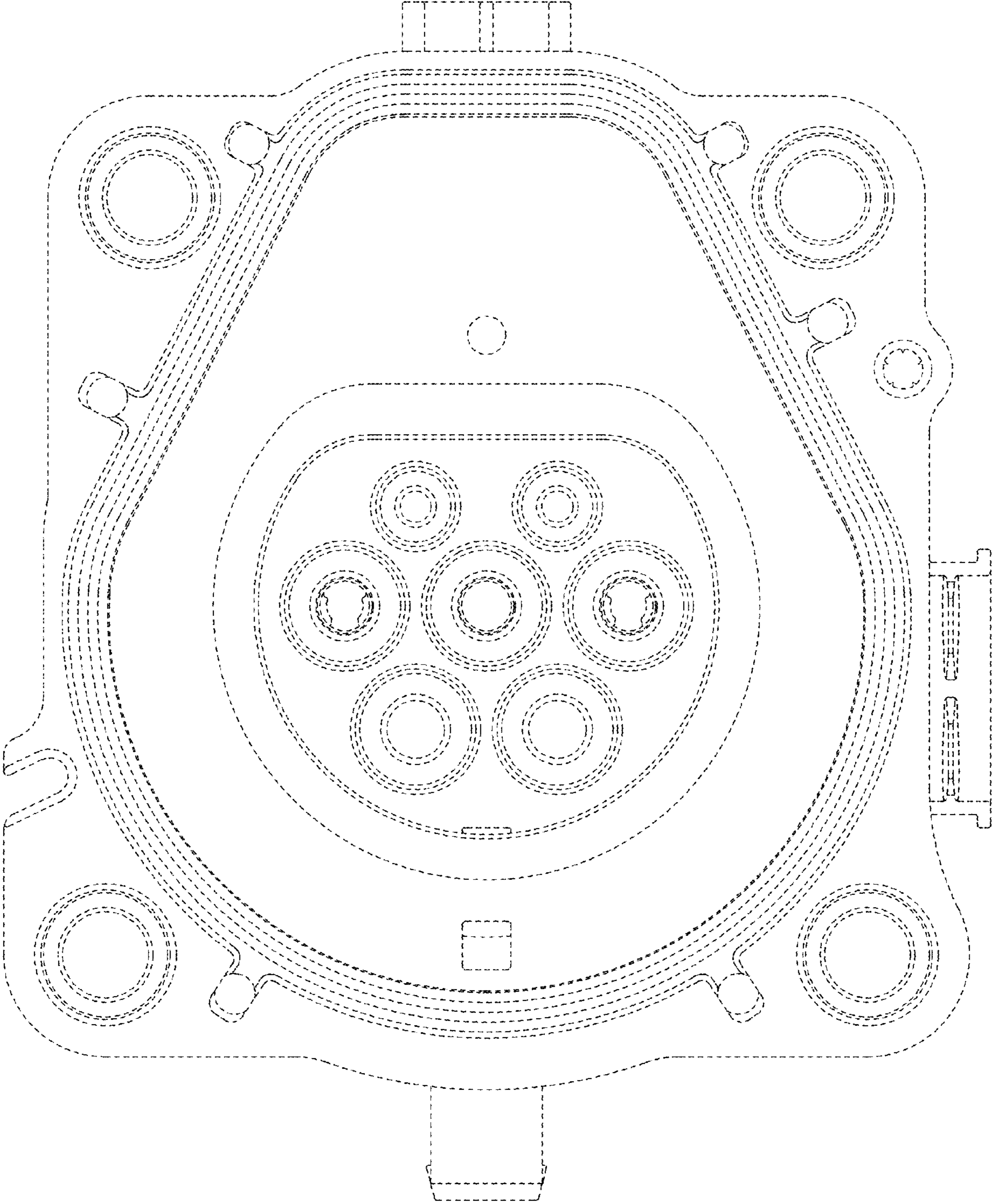


FIG.3

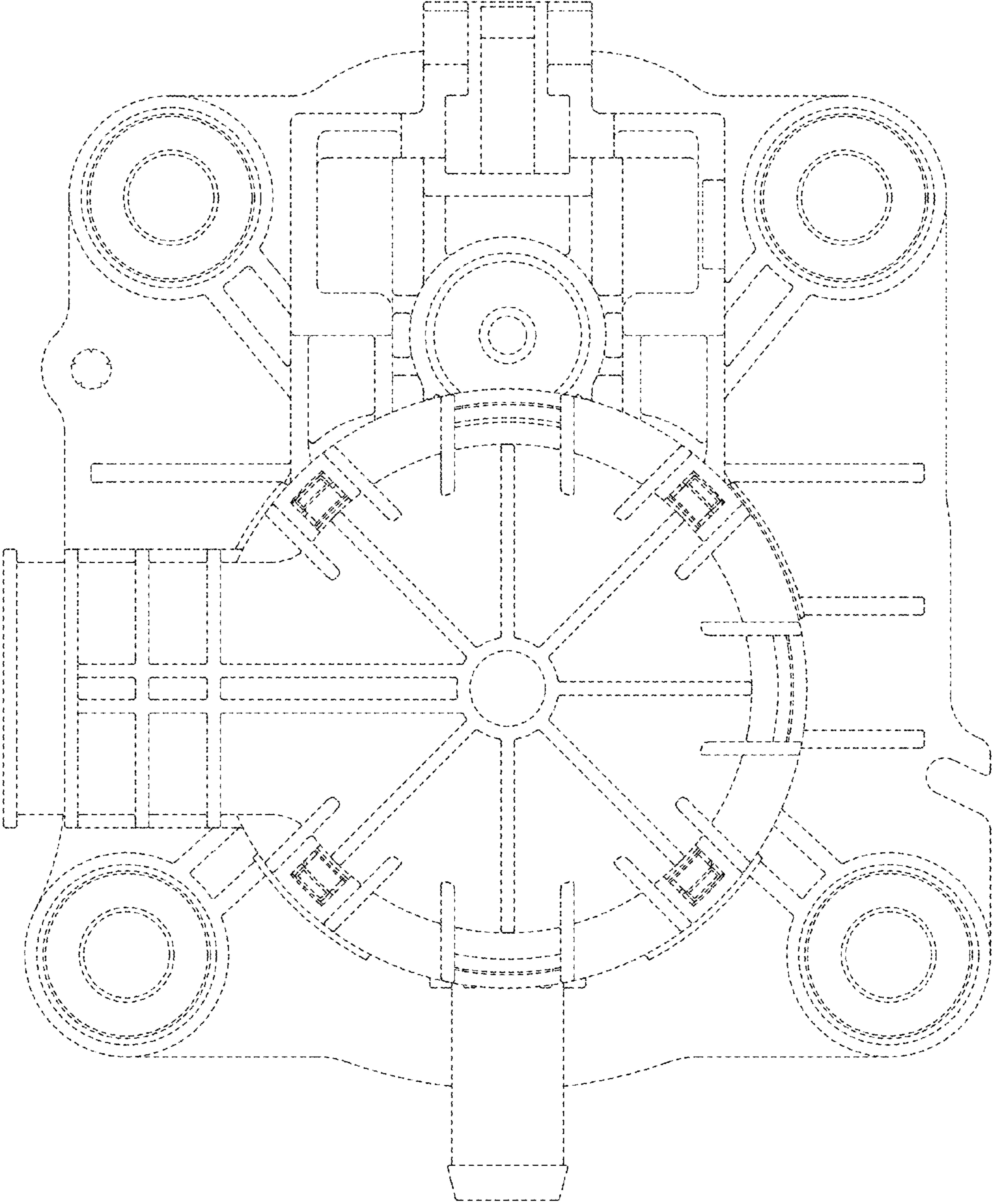


FIG.4

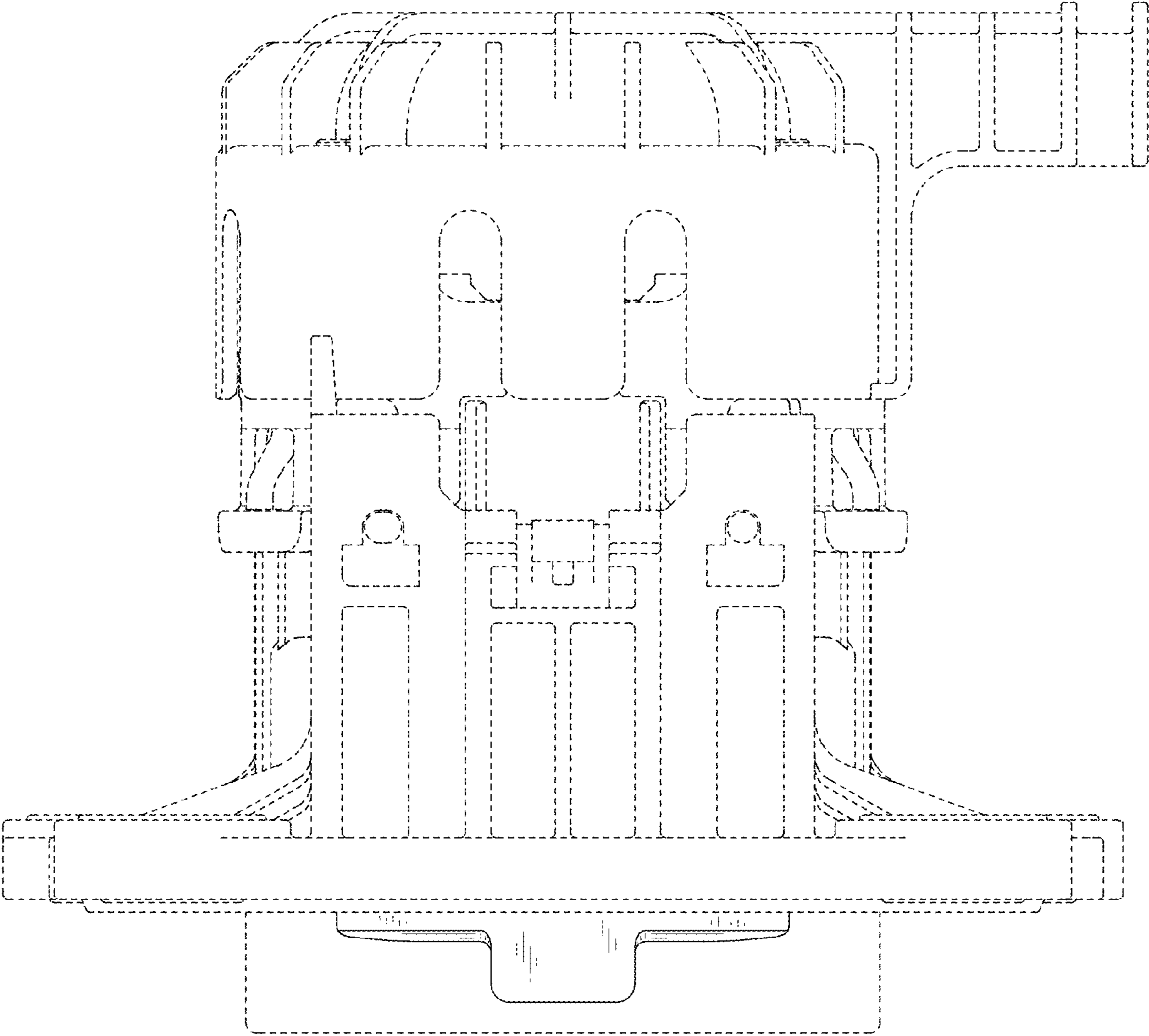


FIG.5

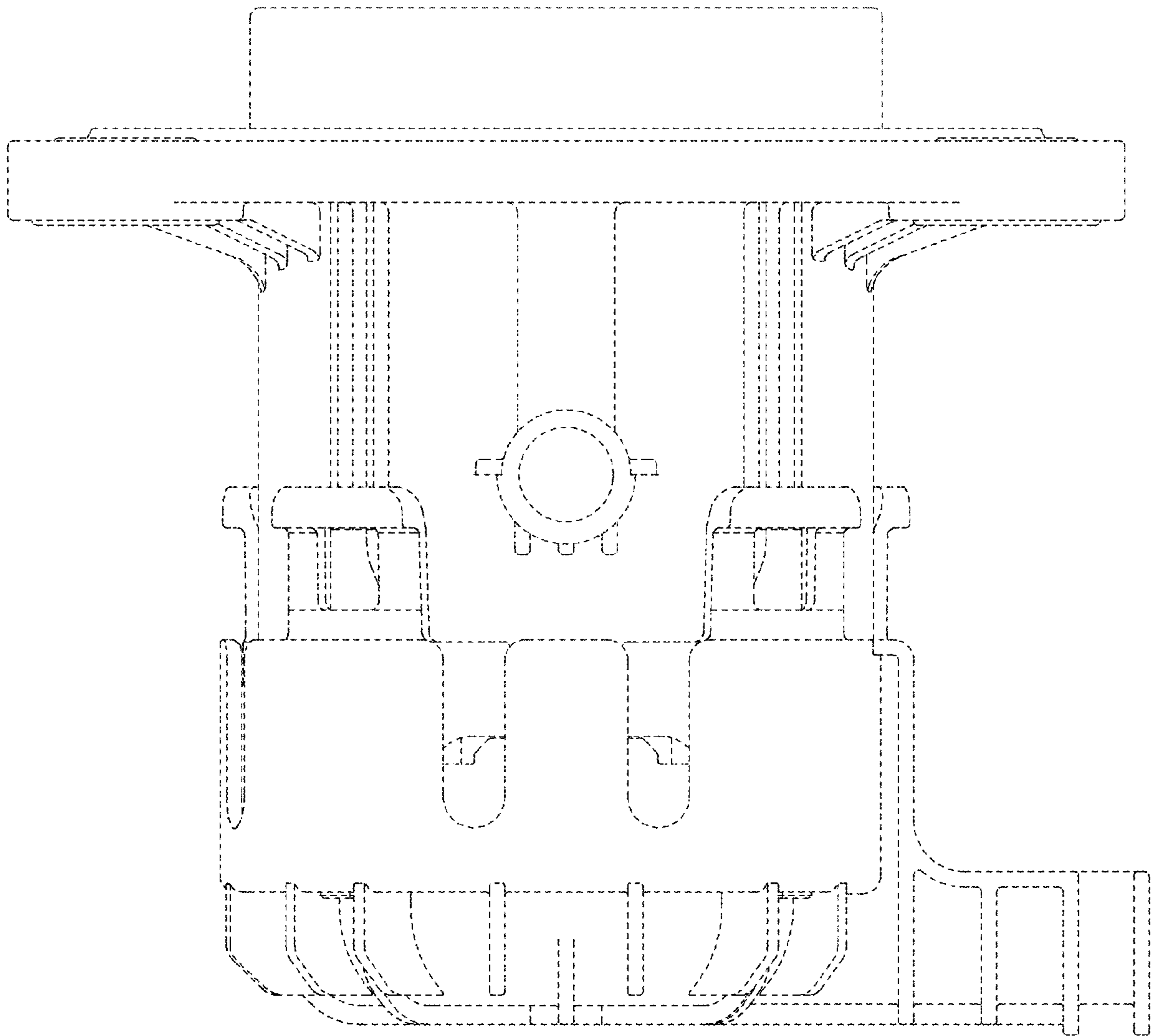


FIG.6

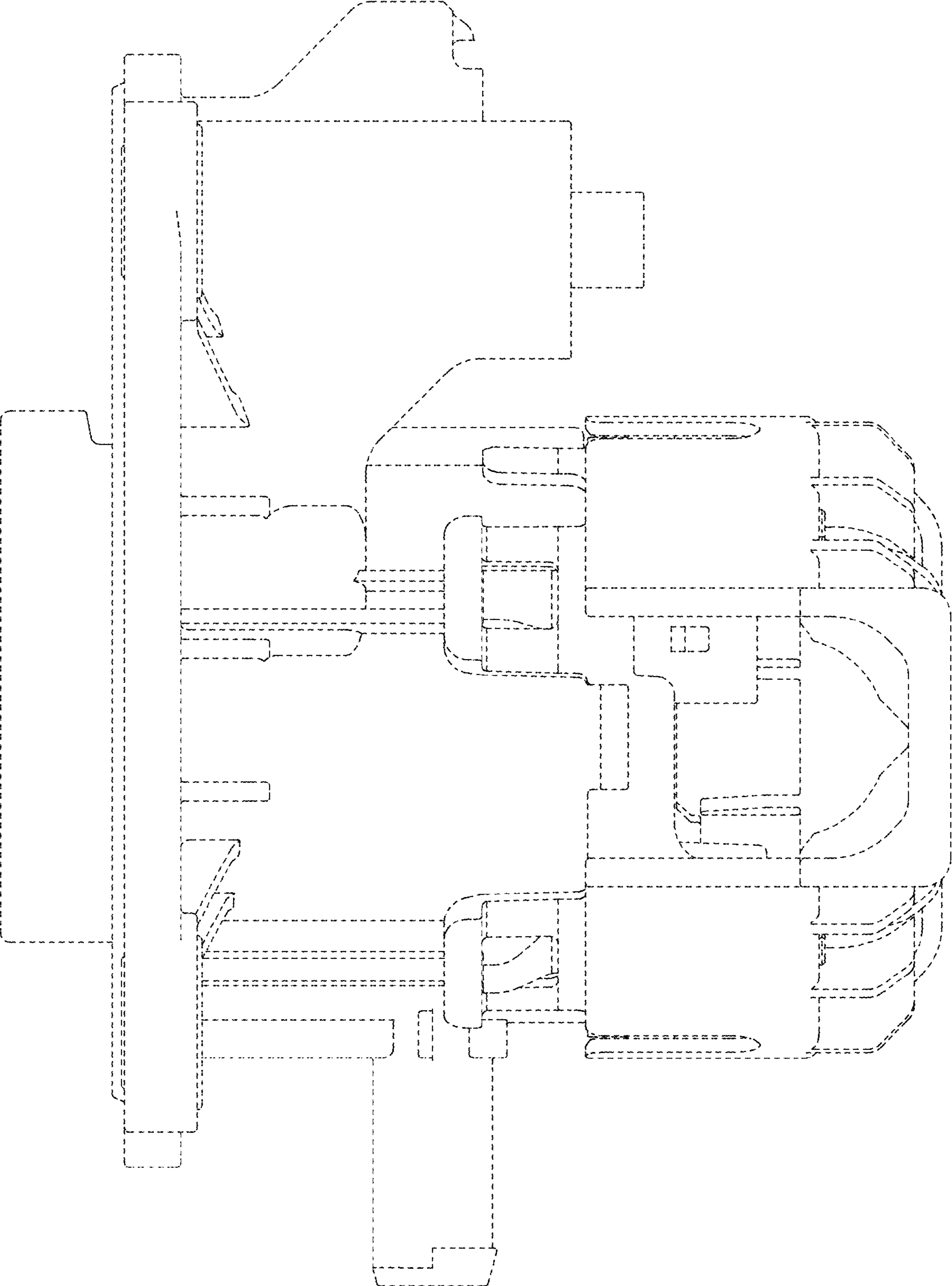


FIG.7

