



US00D883933S

(12) **United States Design Patent**
Byrne et al.

(10) **Patent No.:** **US D883,933 S**

(45) **Date of Patent:** **** May 12, 2020**

(54) **COMBINED POWER AND DATA CENTER**

(71) Applicants: **Norman R. Byrne**, Ada, MI (US);
Brandon B. Danks, Rockford, MI (US)

(72) Inventors: **Norman R. Byrne**, Ada, MI (US);
Brandon B. Danks, Rockford, MI (US)

(**) Term: **15 Years**

(21) Appl. No.: **29/634,778**

(22) Filed: **Jan. 24, 2018**

(51) **LOC (12) Cl.** **13-03**

(52) **U.S. Cl.**

USPC **D13/139.4**

(58) **Field of Classification Search**

USPC D13/107, 108, 110, 123, 133,
D13/137.1–137.4, 138.1–138.2,
D13/139.1–139.8, 147, 152–154, 158,
D13/160; D14/433; D8/356

CPC .. H01R 25/00; H01R 25/006; H01R 13/6675;
H01R 13/10; H01R 13/44; H01R 13/66;
H01R 13/652; H01R 31/00; H01R
31/065; H01R 11/00; H01R 9/00; H01R
27/02; H01R 31/005; H01H 2207/00;
H01H 2207/022; H05K 5/00; G06F
13/4022; G06F 13/13; G06F 1/1632;
G06F 1/1684; G06F 1/20; G06F 1/1607

See application file for complete search history.

(56) **References Cited**

U.S. PATENT DOCUMENTS

5,709,156	A *	1/1998	Gevaert	A47B 21/06 108/26
D392,254	S *	3/1998	Gevaert	D13/139.4
D401,558	S *	11/1998	Almond	D13/152
6,162,071	A	12/2000	Muller		
D443,592	S *	6/2001	Frattini	D13/152
D466,085	S *	11/2002	Heggem	D13/152
D556,139	S *	11/2007	Gershfeld	D13/139.4
D597,960	S *	8/2009	Dinh	D13/152

(Continued)

Primary Examiner — Rosemary K Tarcza

Assistant Examiner — Christy M Nemeth

(74) *Attorney, Agent, or Firm* — Gardner, Linn, Burkhardt
& Ondersma LLP

(57) **CLAIM**

The ornamental design for a combined power and data center, as shown and described.

DESCRIPTION

FIG. 1 is a top-front perspective view of a combined power and data center showing our new design in a closed configuration;

FIG. 2 is a top-rear perspective view thereof;

FIG. 3 is a bottom-front perspective view thereof;

FIG. 4 is a bottom-rear perspective view thereof;

FIG. 5 is a top plan view thereof;

FIG. 6 is a bottom plan view thereof;

FIG. 7 a front elevation thereof;

FIG. 8 is a rear elevation thereof;

FIG. 9 is a right side elevation thereof;

FIG. 10 is a left side elevation thereof;

FIG. 11 is a top-front perspective view of a combined power and data center showing our new design in an open configuration;

FIG. 12 is a top-rear perspective view thereof;

FIG. 13 is a bottom-front perspective view thereof;

FIG. 14 is a bottom-rear perspective view thereof;

FIG. 15 is a top plan view thereof;

FIG. 16 is a bottom plan view thereof;

FIG. 17 a front elevation thereof;

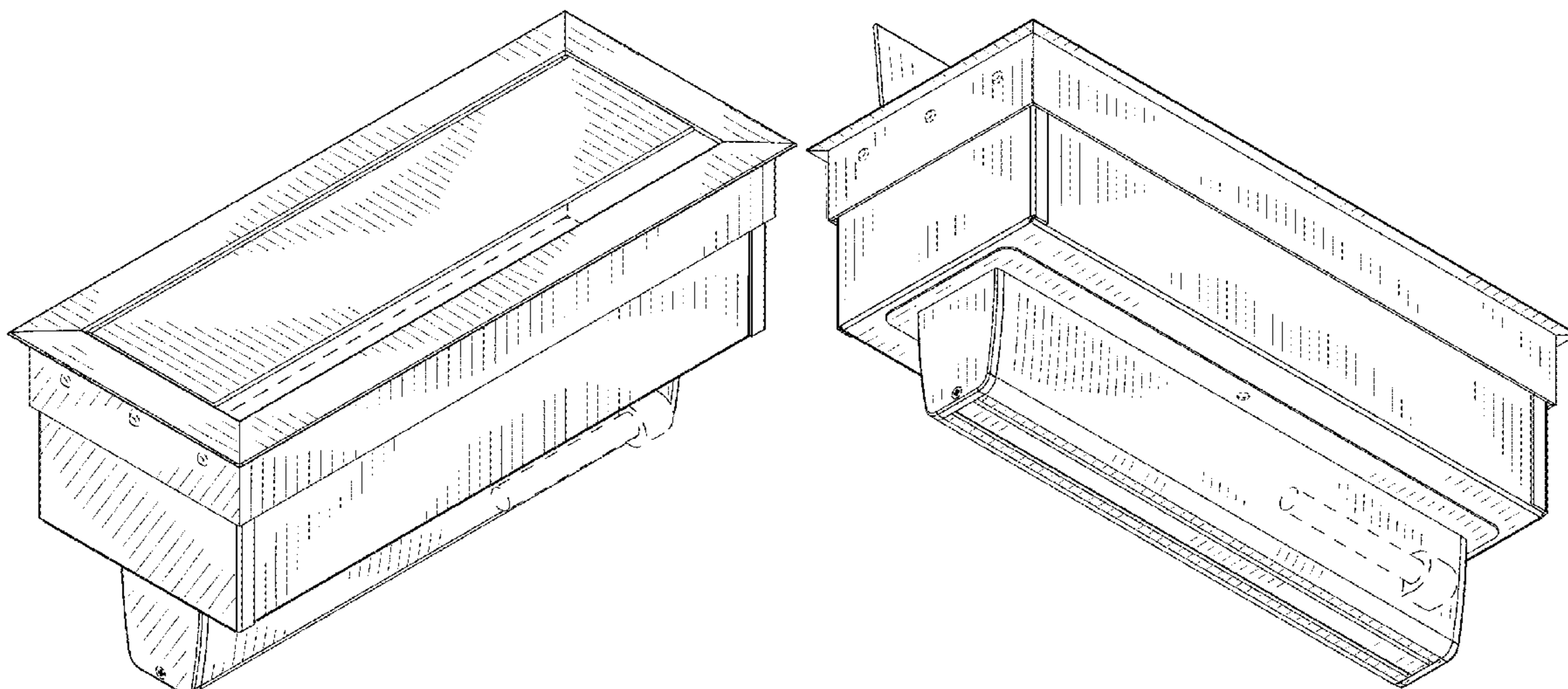
FIG. 18 is a rear elevation thereof;

FIG. 19 is a right side elevation thereof; and,

FIG. 20 is a left side elevation thereof.

The broken lines in the drawings are for the purpose of illustrating portions of the combined power and data center that form no part of the claimed design.

1 Claim, 8 Drawing Sheets



(56)

References Cited

U.S. PATENT DOCUMENTS

7,614,889 B1 * 11/2009 Black H01R 13/5213
 174/67
 D639,244 S * 6/2011 Byrne D13/139.4
 8,172,604 B2 * 5/2012 Byrne A47B 21/06
 439/131
 D665,355 S * 8/2012 Byrne D13/139.4
 D682,213 S * 5/2013 Byrne D13/139.4
 D685,329 S * 7/2013 Byrne D13/139.4
 D686,992 S * 7/2013 Eisen D13/133
 8,690,590 B2 * 4/2014 Byrne H05K 5/03
 439/131
 D709,031 S * 7/2014 Byrne D13/139.4
 D709,832 S * 7/2014 Byrne D13/139.4
 D715,740 S * 10/2014 Byrne D13/139.4
 D716,232 S * 10/2014 Byrne D13/139.4
 8,951,054 B2 2/2015 Byrne et al.
 D733,065 S * 6/2015 Porter D13/152
 9,112,298 B1 * 8/2015 Hayden H02G 3/185
 D744,951 S * 12/2015 Oosterman D13/139.1
 D755,128 S * 5/2016 Page D13/139.4
 D755,129 S * 5/2016 Page D13/139.4
 D759,596 S * 6/2016 Byrne D13/137.2
 D775,080 S * 12/2016 Newhouse D13/139.4
 D782,287 S * 3/2017 Chen D8/356
 9,614,336 B2 * 4/2017 Los H01R 27/02
 9,614,338 B2 4/2017 Alexander et al.
 9,755,385 B1 * 9/2017 Kondas H01R 13/74
 D799,427 S * 10/2017 Newhouse D13/139.4
 D811,337 S * 2/2018 Byrne D13/137.2
 10,116,094 B2 * 10/2018 Byrne H01R 13/641
 D839,200 S * 1/2019 Lee D13/139.4
 10,224,680 B2 * 3/2019 Garcia H02G 3/18

* cited by examiner

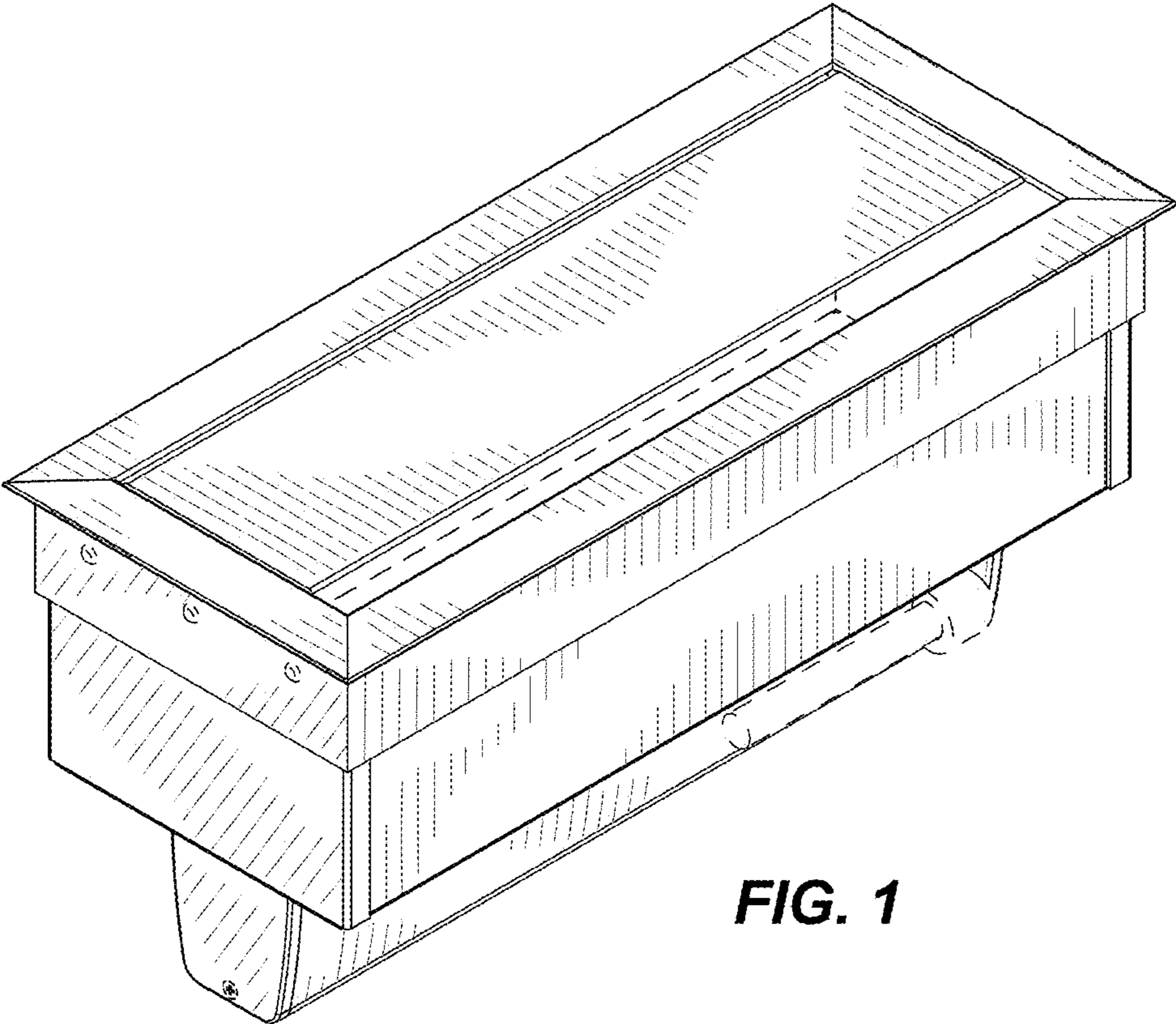


FIG. 1

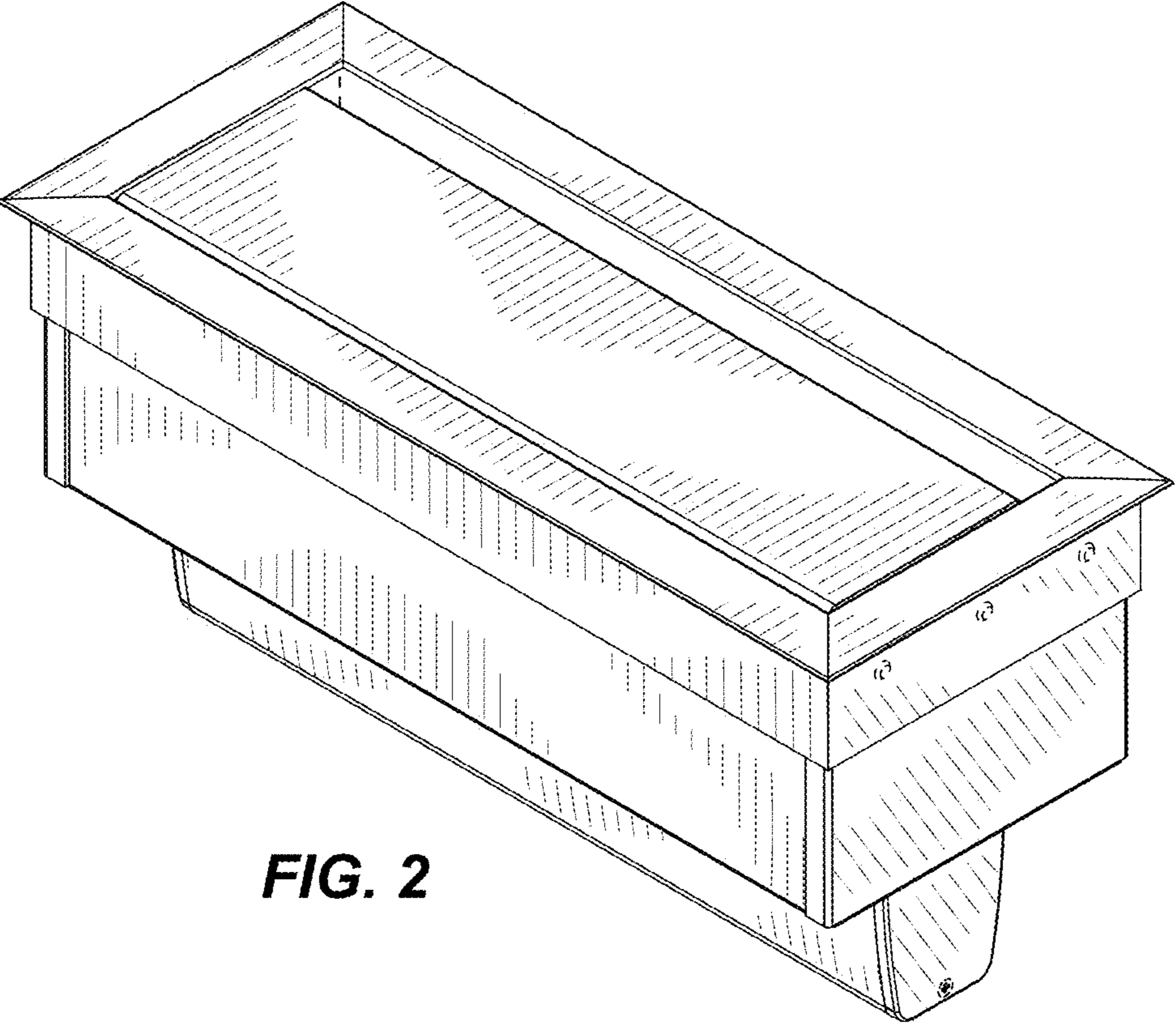


FIG. 2

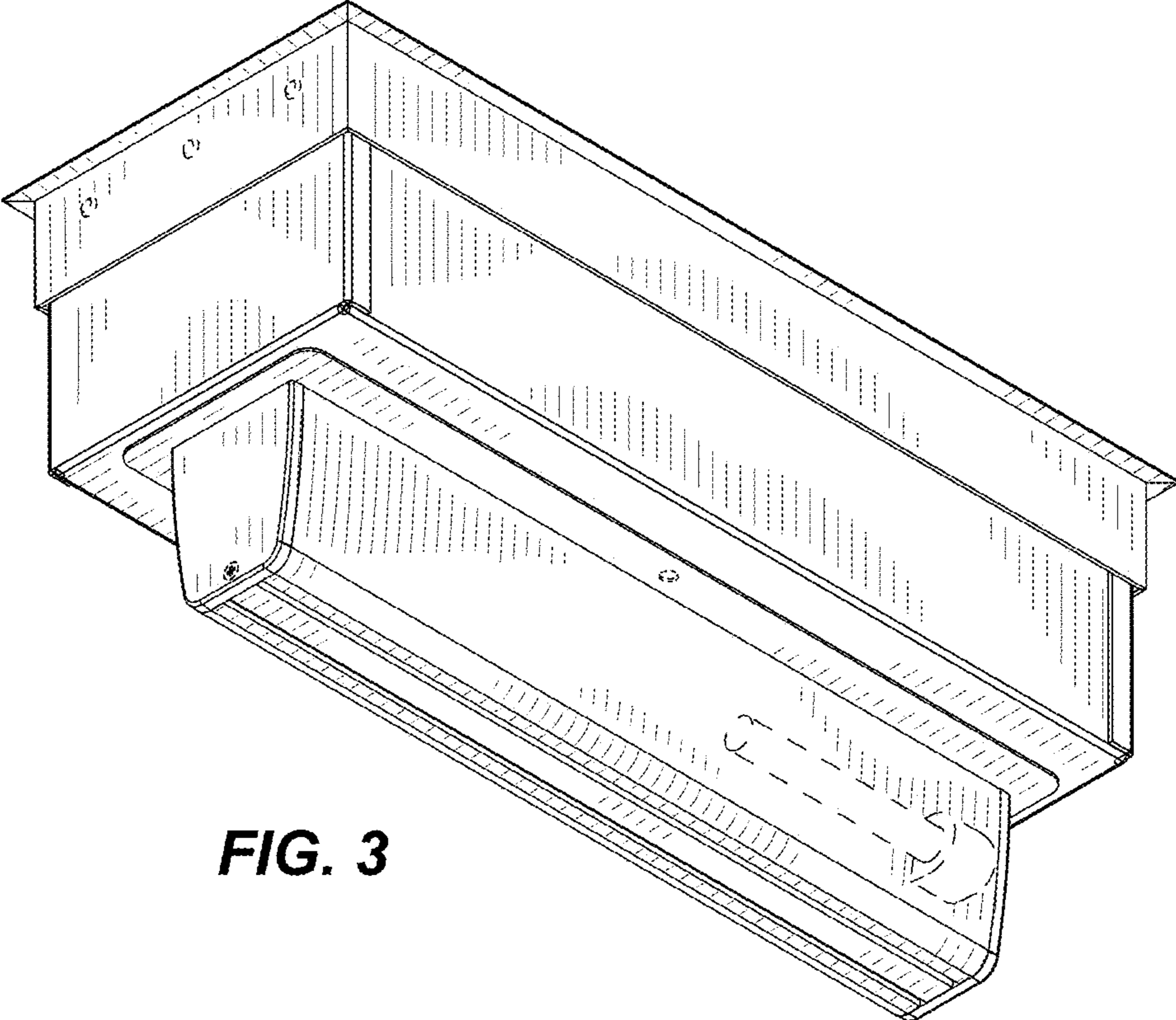


FIG. 3

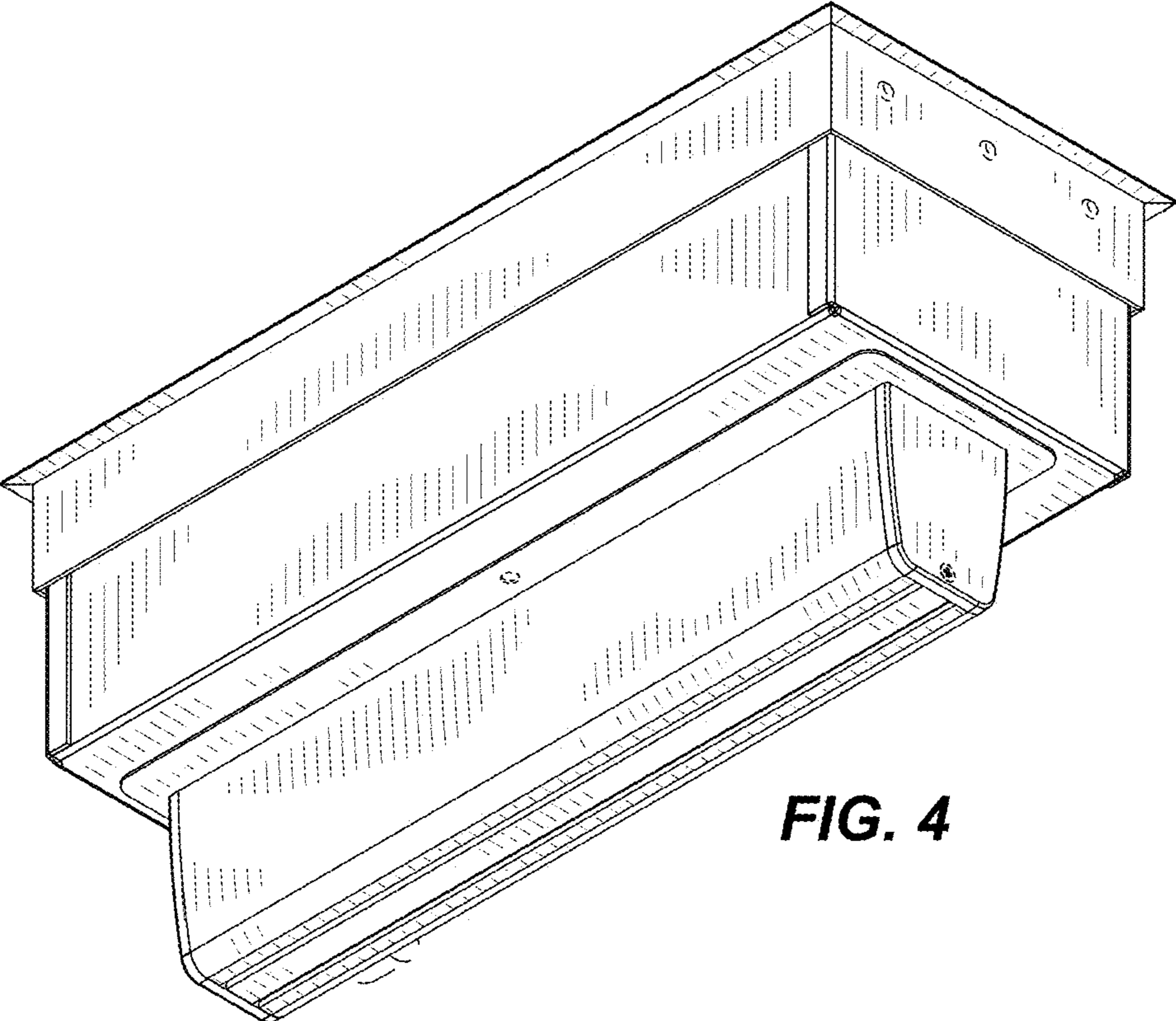


FIG. 4

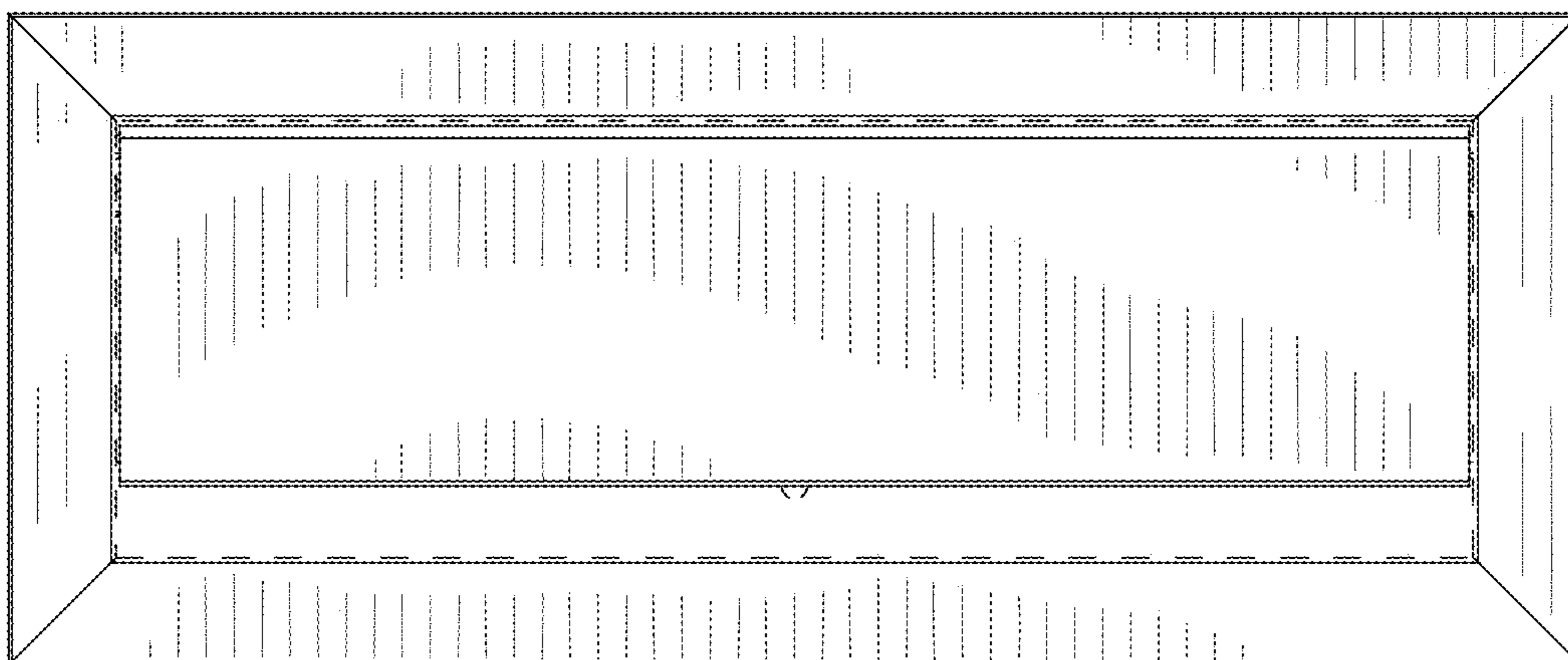


FIG. 5

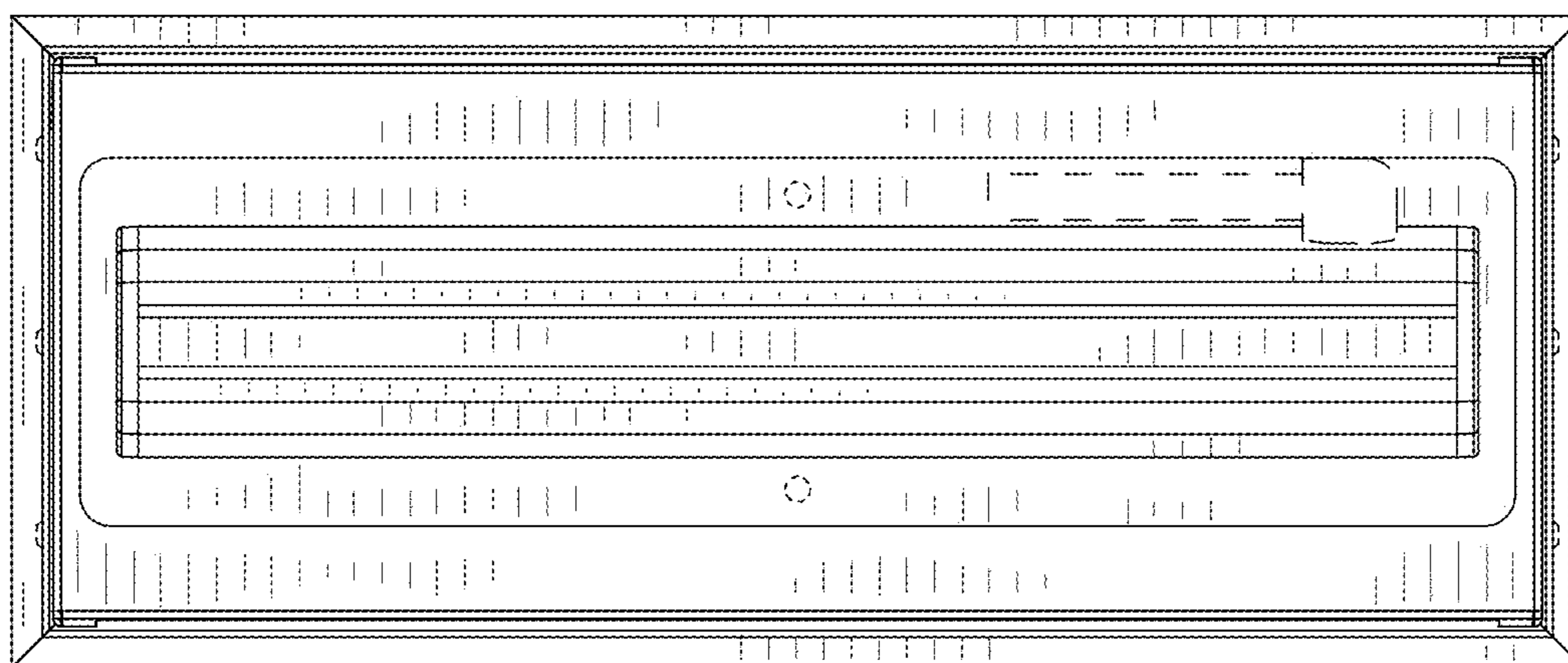


FIG. 6

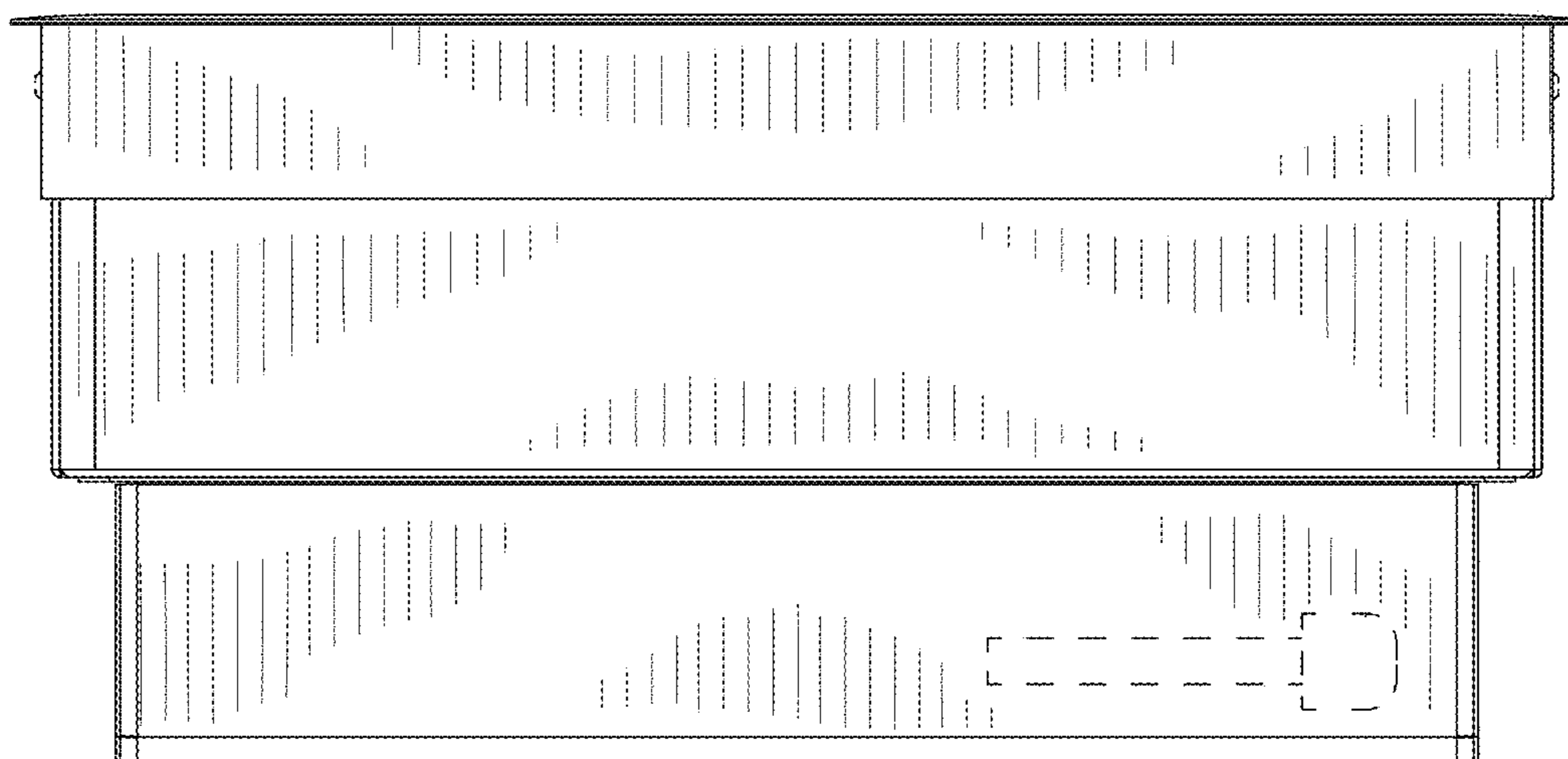


FIG. 7

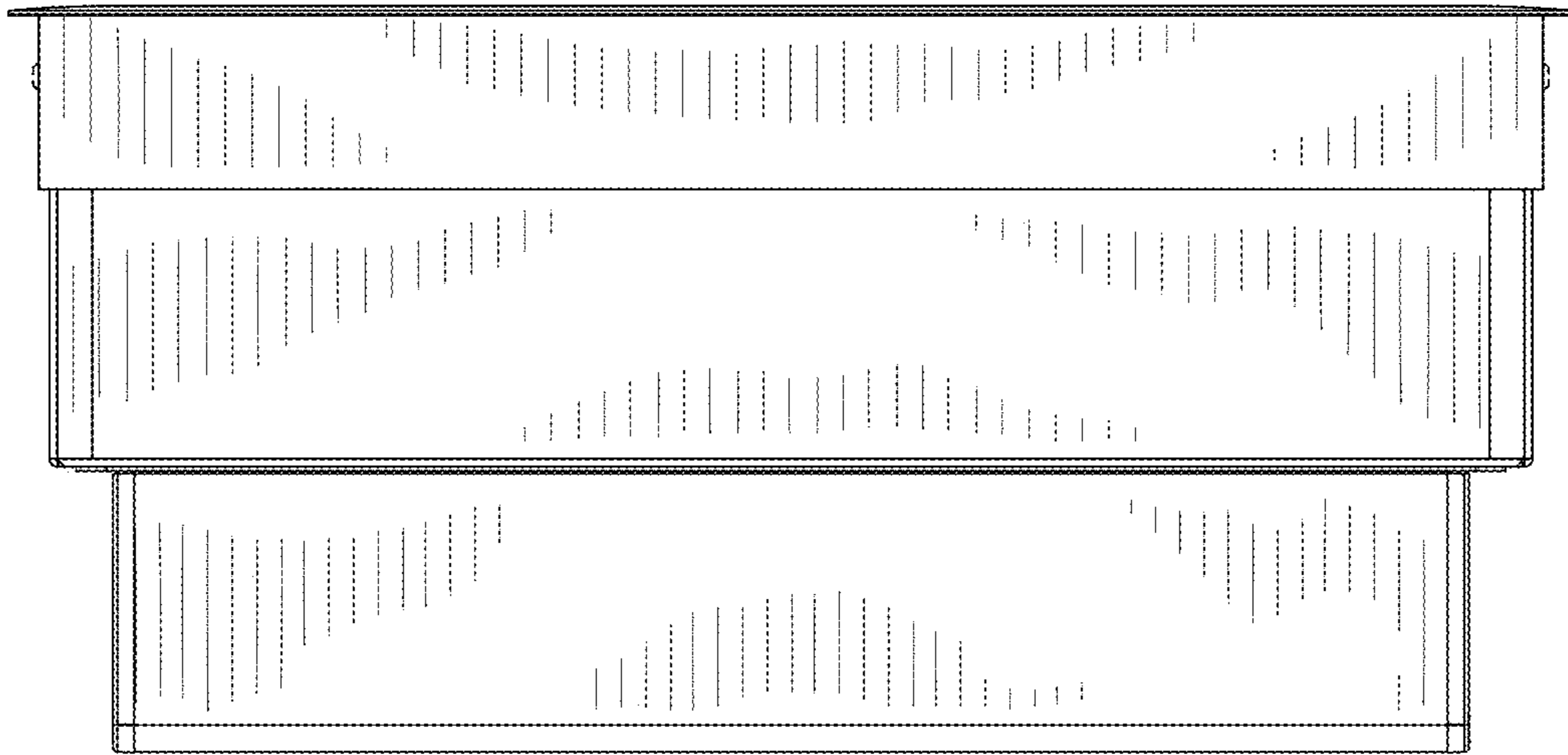


FIG. 8

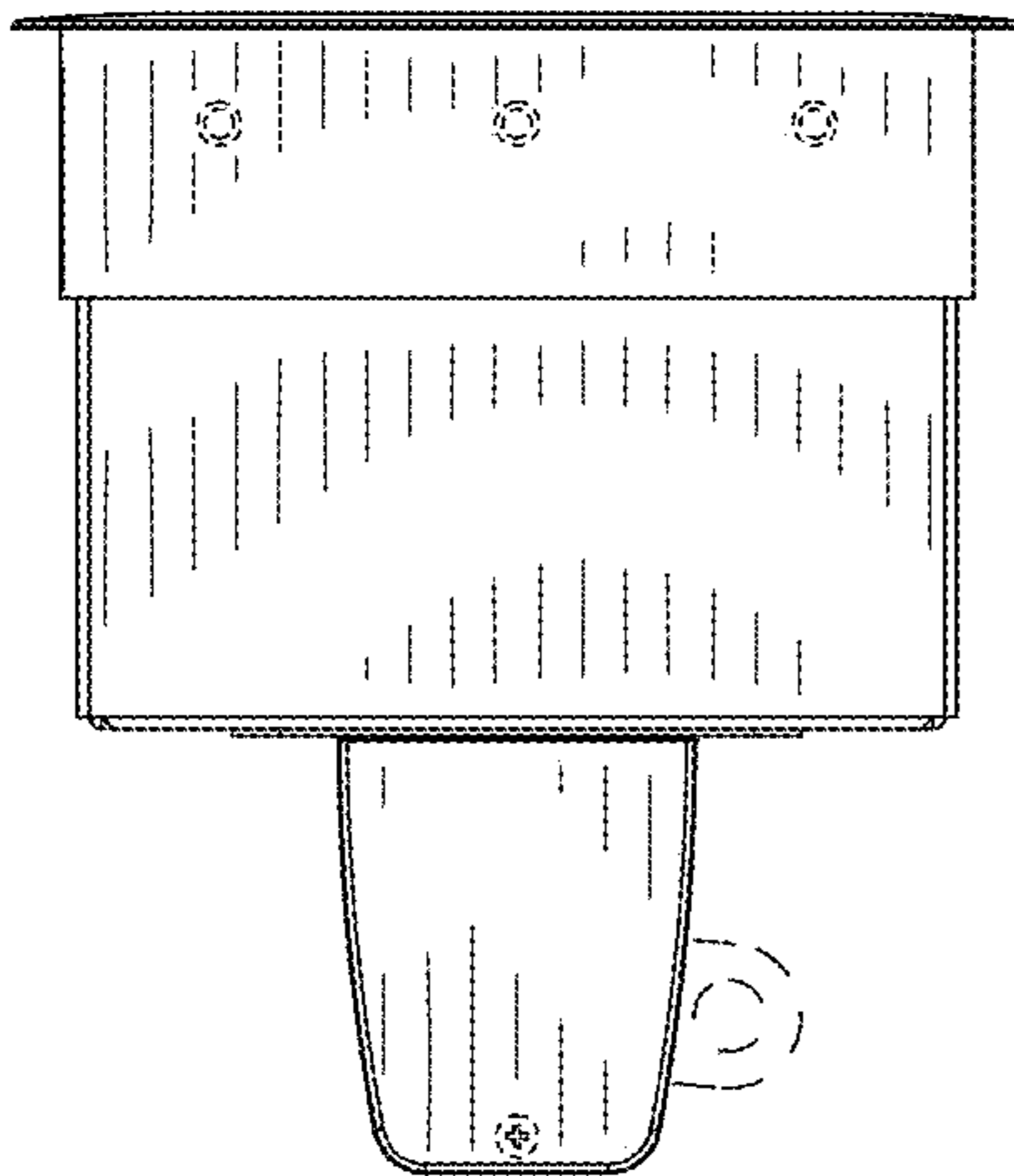


FIG. 9

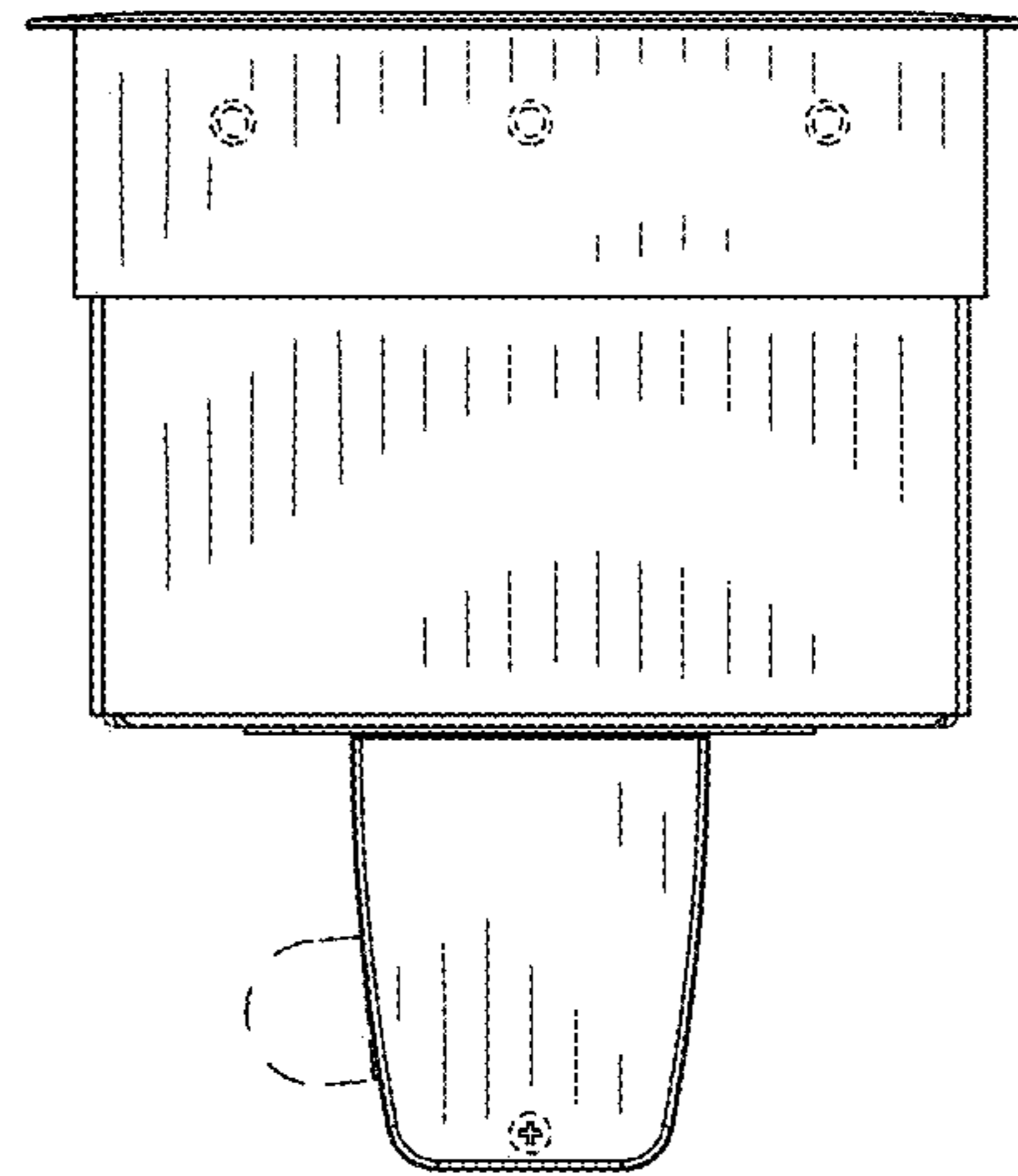


FIG. 10

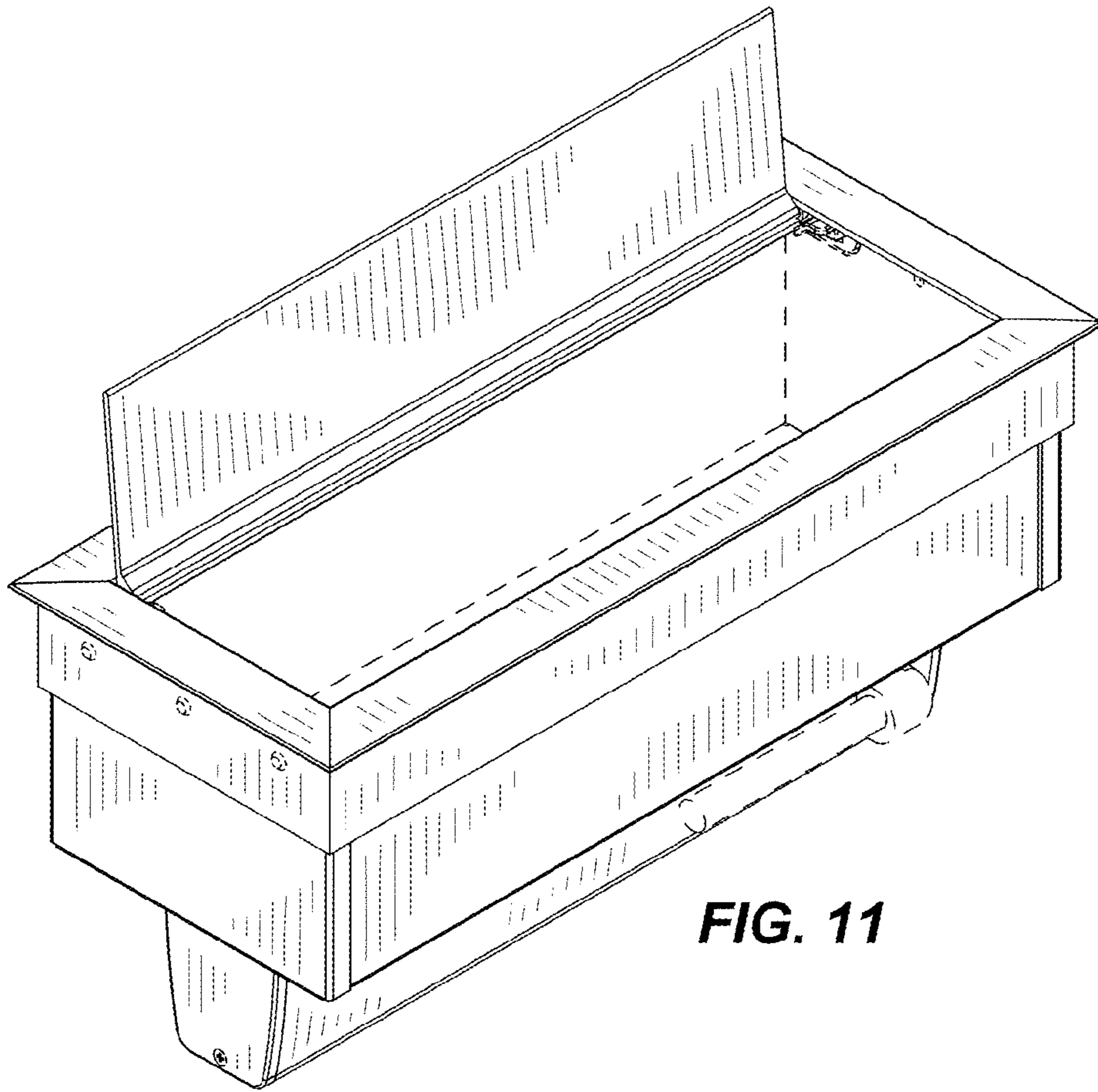


FIG. 11

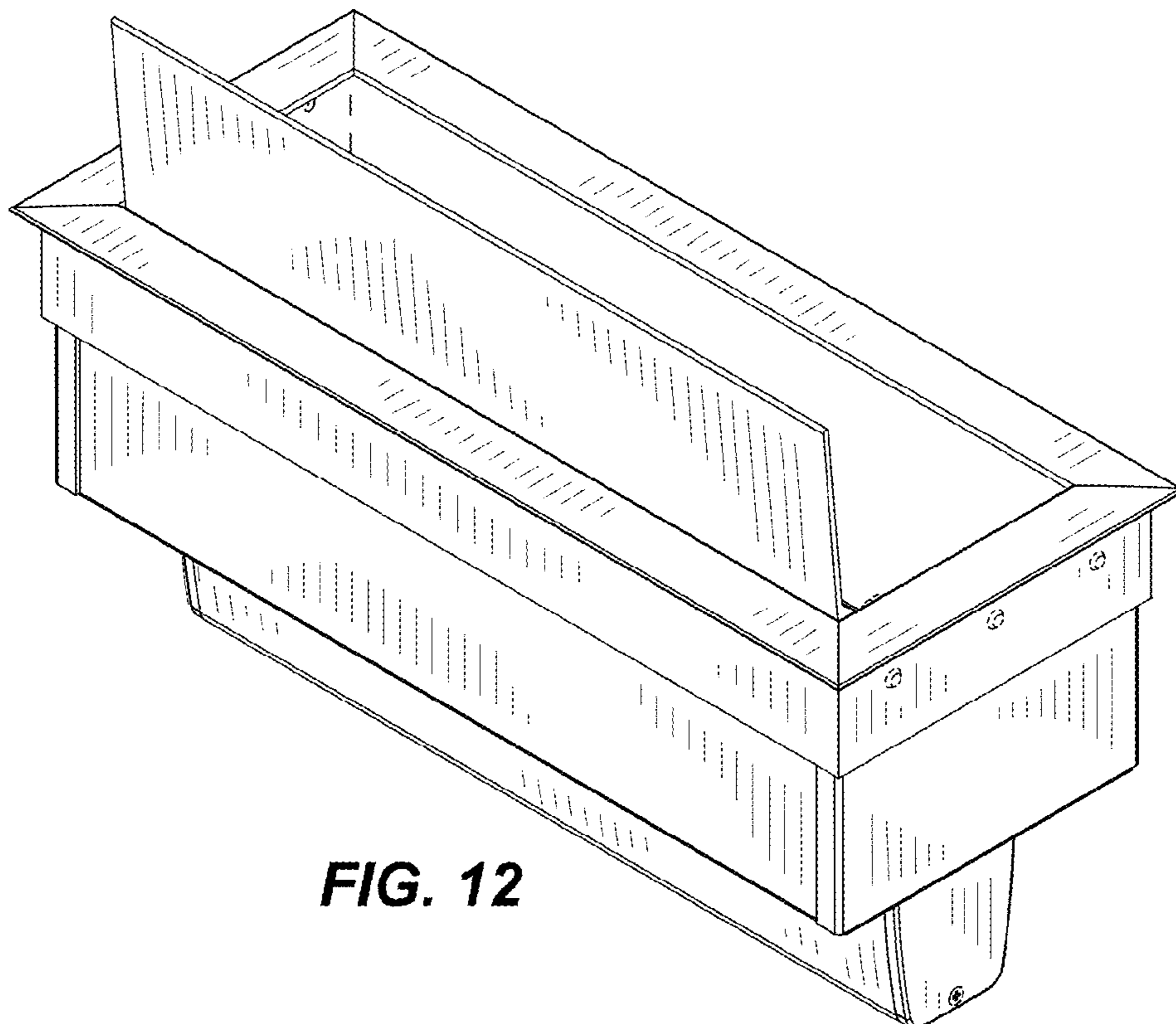


FIG. 12

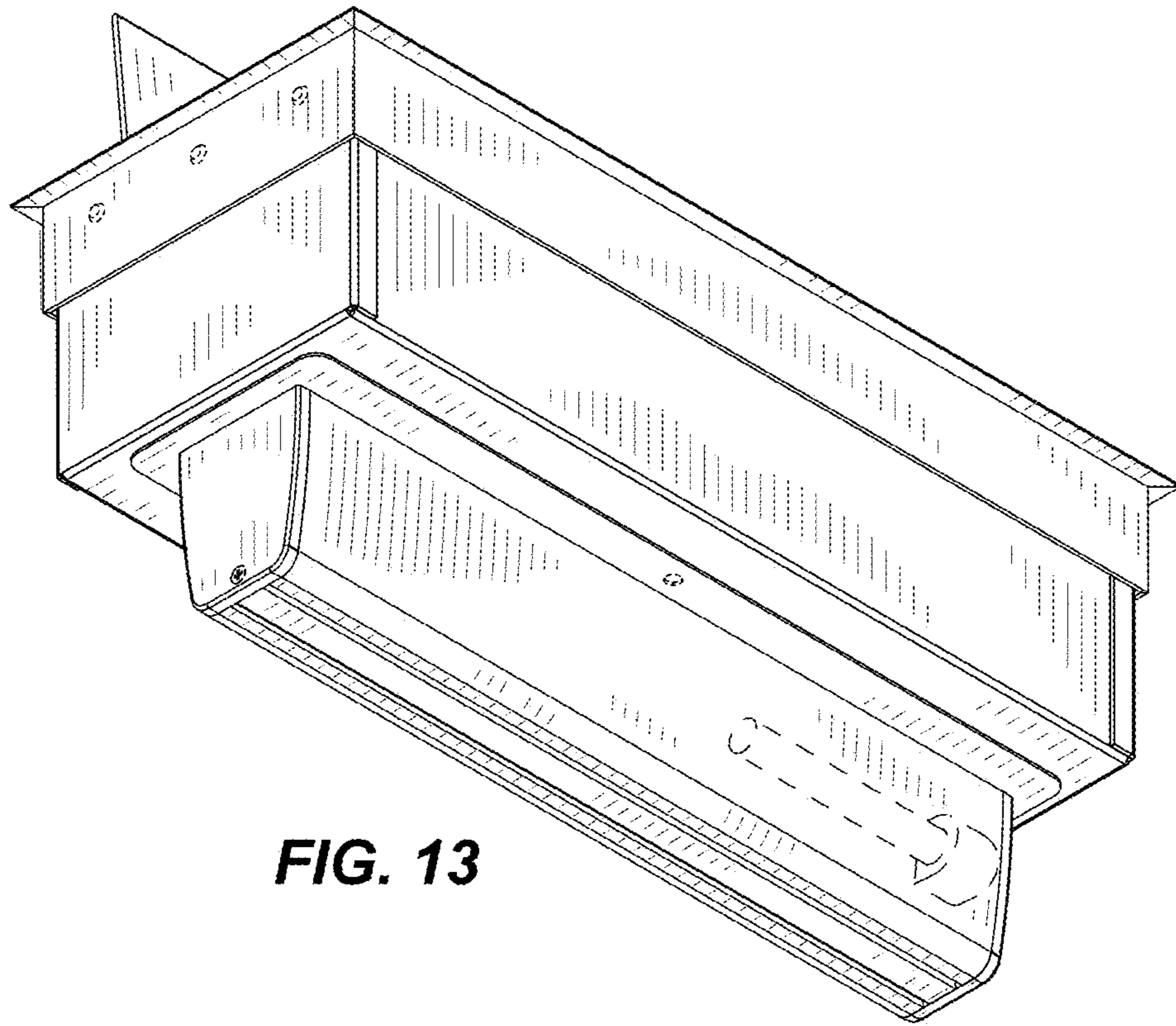


FIG. 13

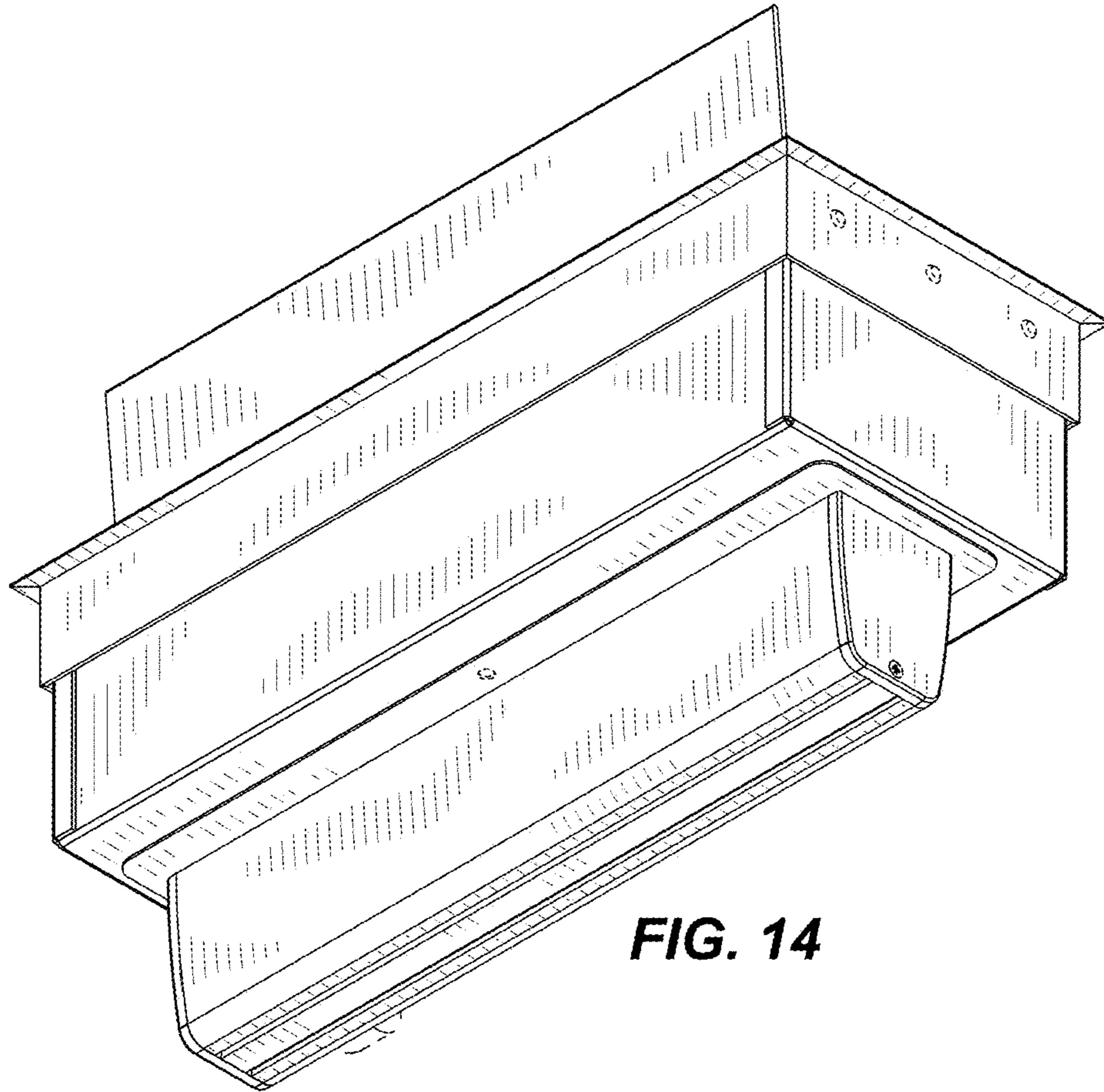


FIG. 14

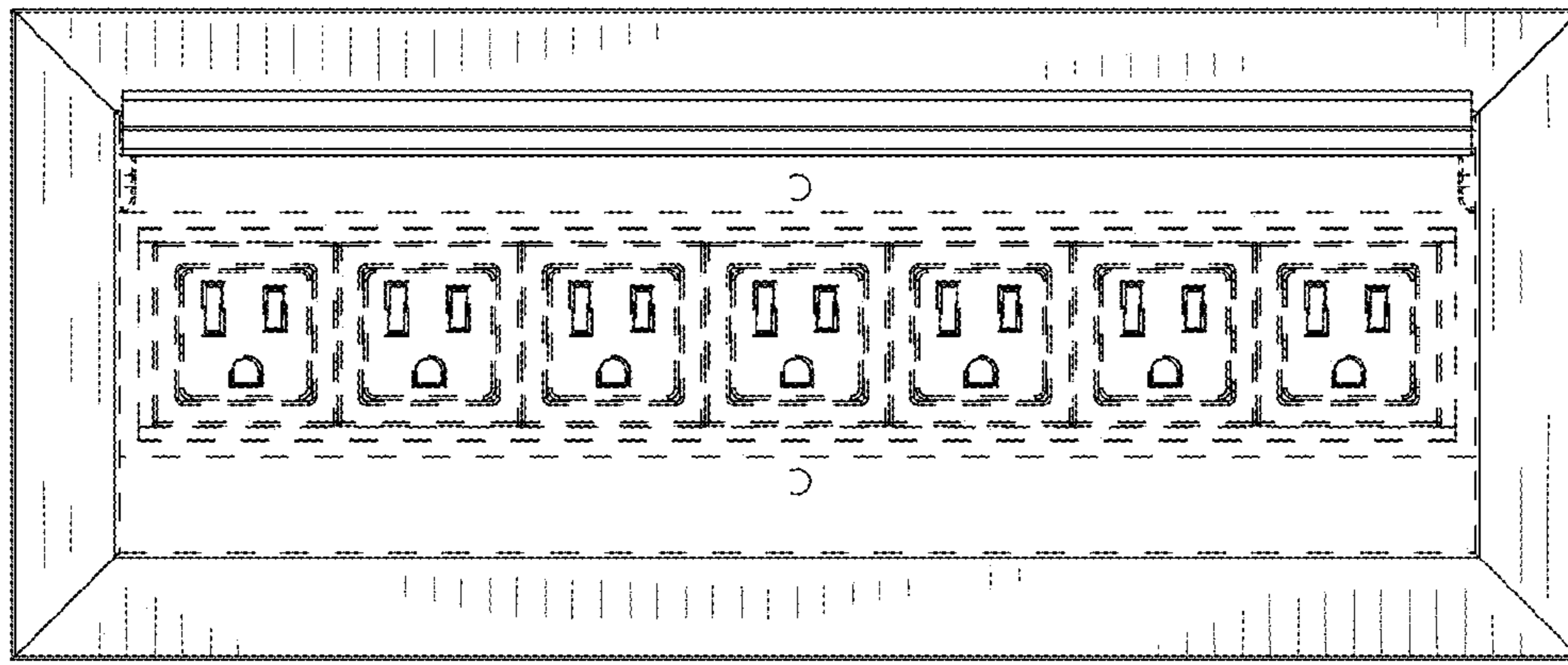


FIG. 15

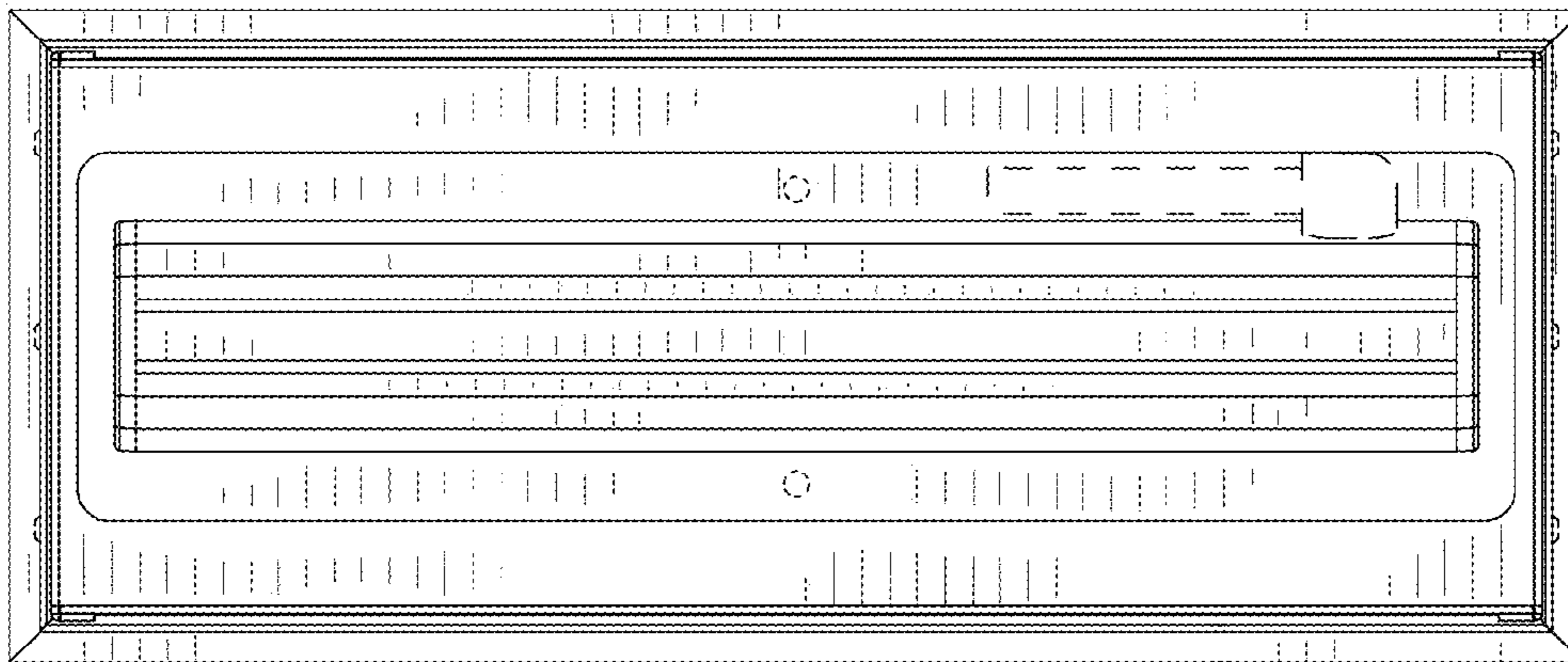


FIG. 16

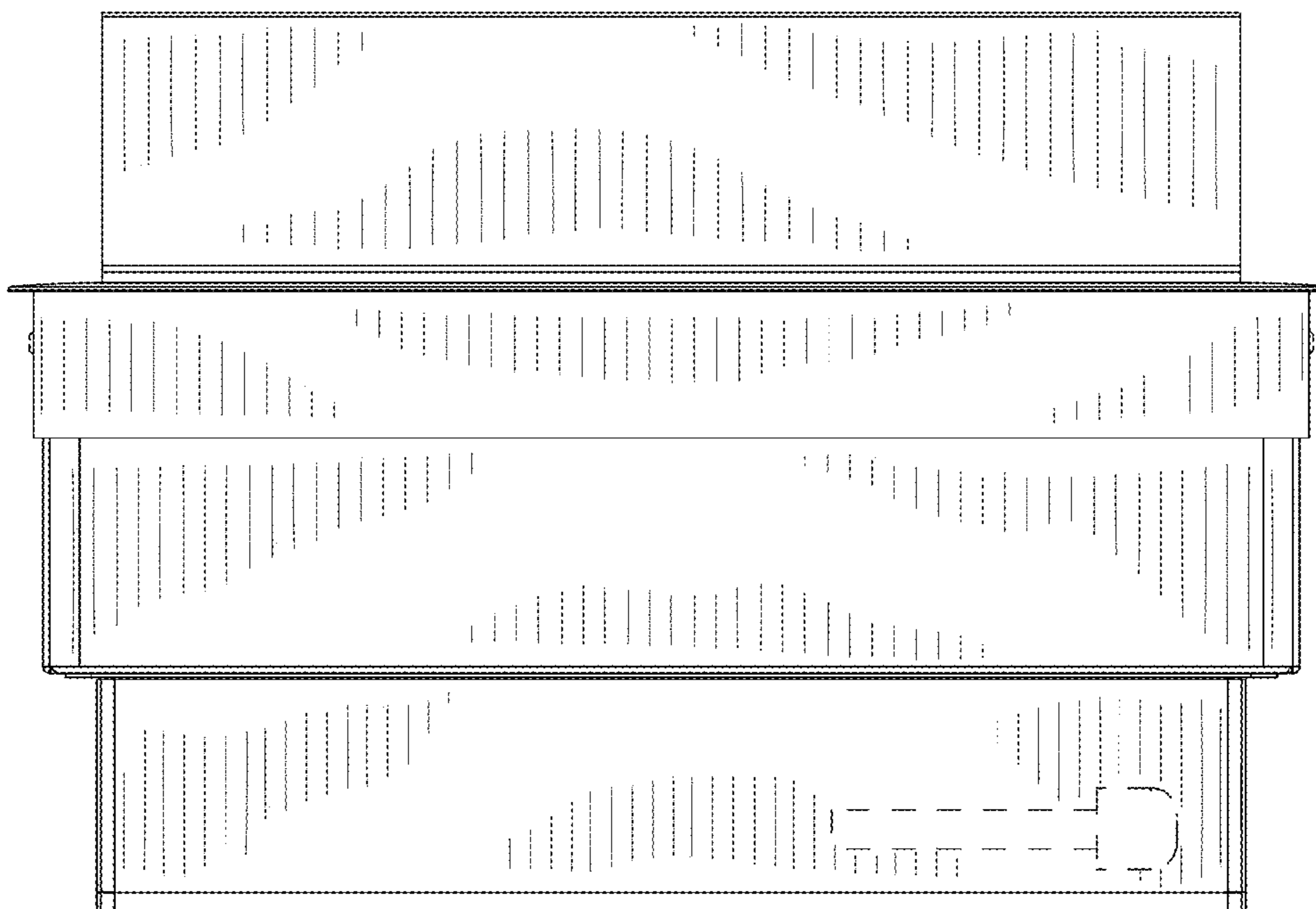


FIG. 17

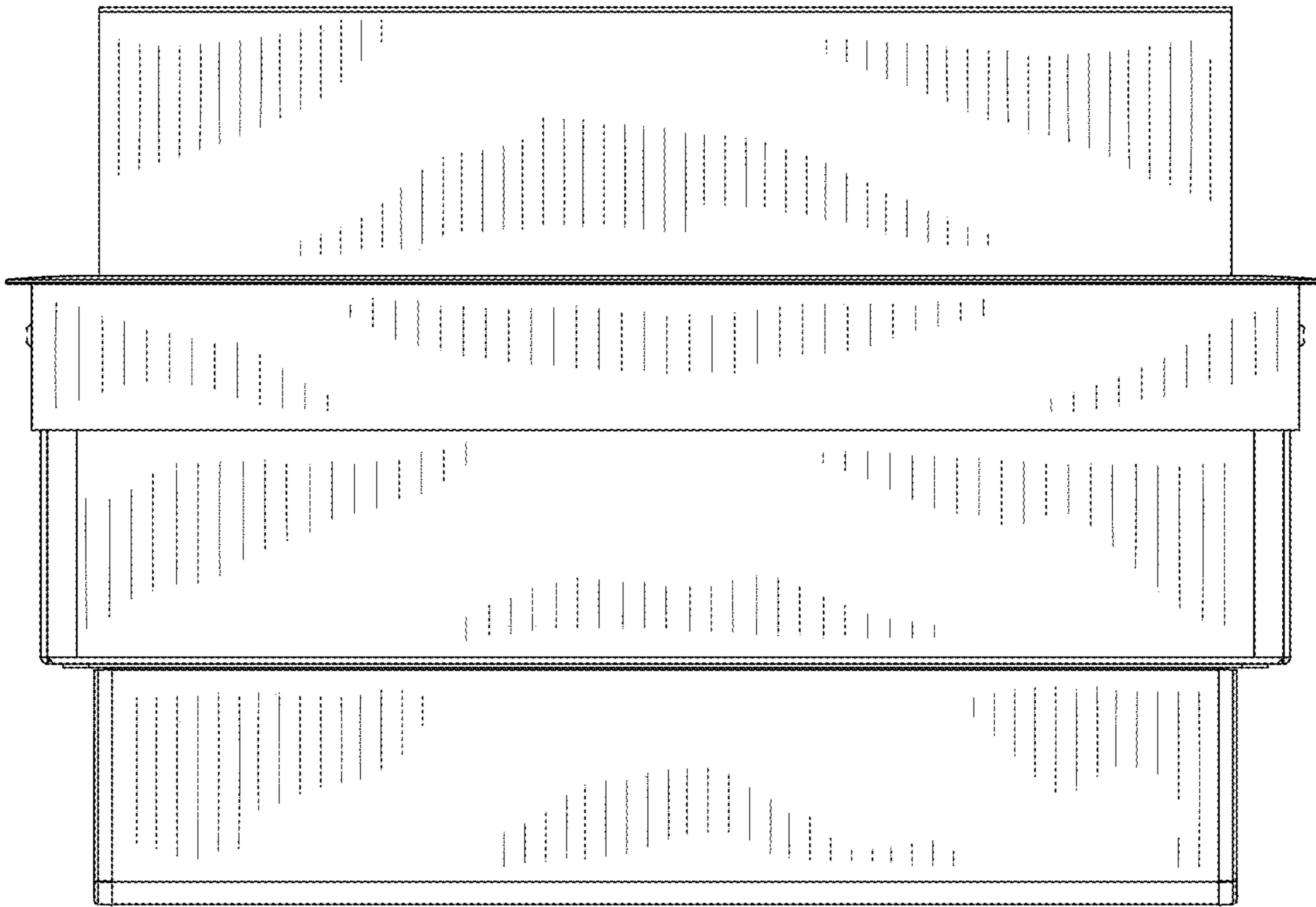


FIG. 18

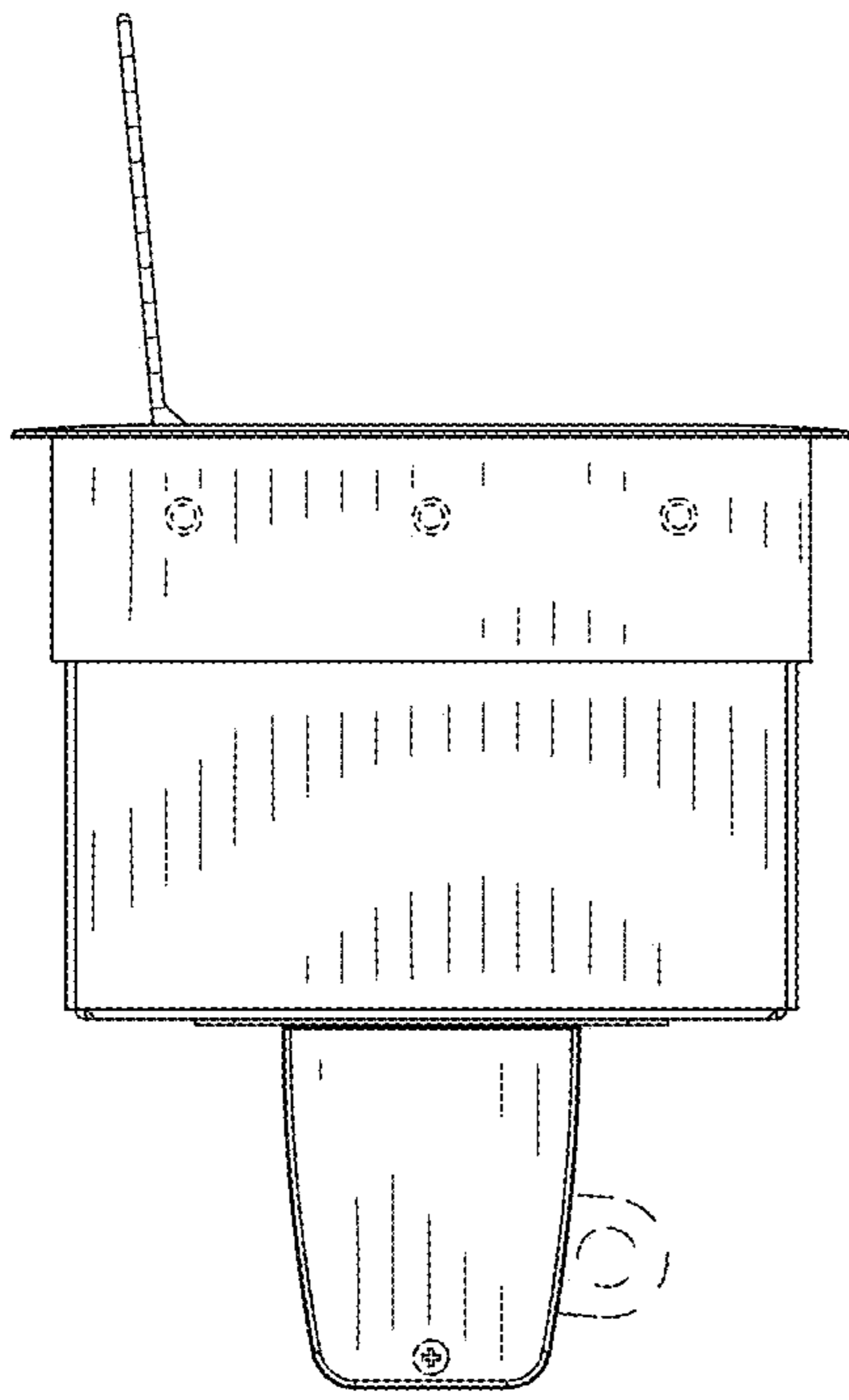


FIG. 19

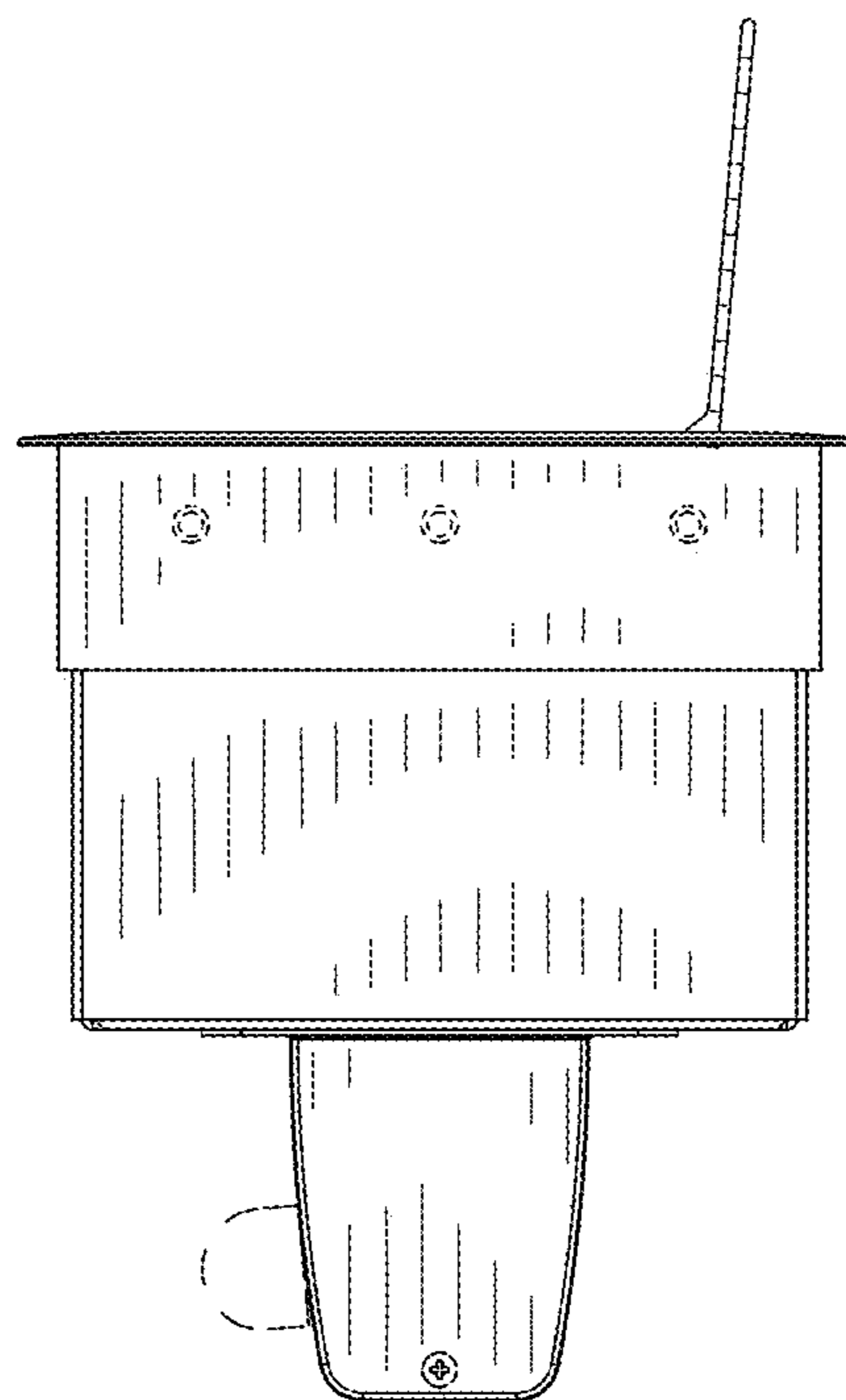


FIG. 20