



US00D883930S

(12) **United States Design Patent**
Wang

(10) **Patent No.:** **US D883,930 S**

(45) **Date of Patent:** **** May 12, 2020**

(54) **PLUG**

(71) Applicant: **AUTEL ROBOTICS CO., LTD.**,
Shenzhen (CN)

(72) Inventor: **Yongshuai Wang**, Shenzhen (CN)

(73) Assignee: **AUTEL ROBOTICS CO., LTD.**,
Shenzhen (CN)

(**) Term: **15 Years**

(21) Appl. No.: **29/643,596**

(22) Filed: **Apr. 10, 2018**

(30) **Foreign Application Priority Data**

Oct. 18, 2017 (CN) 2017 3 0496548

(51) **LOC (12) Cl.** **13-03**

(52) **U.S. Cl.**
USPC **D13/133**

(58) **Field of Classification Search**
USPC D13/107, 108, 110, 123, 133,
D13/137.1–137.4, 138.1–138.2,
D13/139.1–139.8, 152, 154, 184
CPC H01R 11/00; H01R 9/00; H01R 13/00;
H01R 13/04; H01R 13/10; H01R
13/6666; H01R 13/6675; H01R 25/00;
H01R 25/006; H01H 2207/00; H01H
2207/022

See application file for complete search history.

(56) **References Cited**

U.S. PATENT DOCUMENTS

D456,006 S *	4/2002	Maher	D13/110
D657,310 S *	4/2012	Fahrendorff	D13/110
D765,037 S *	8/2016	Hebert	D13/156
D797,747 S *	9/2017	Xu	D14/433
D814,471 S *	4/2018	Kim	D14/433
D826,855 S *	8/2018	Xu	D13/110
D832,213 S *	10/2018	Wilfer	D13/133

* cited by examiner

Primary Examiner — Rosemary K Tarcza

Assistant Examiner — Christy M Nemeth

(57) **CLAIM**

I claim the ornamental design for a plug, as shown and described.

DESCRIPTION

FIG. 1 is a perspective view of a plug showing my new design;

FIG. 2 is a front elevational view thereof;

FIG. 3 is a back elevational view thereof;

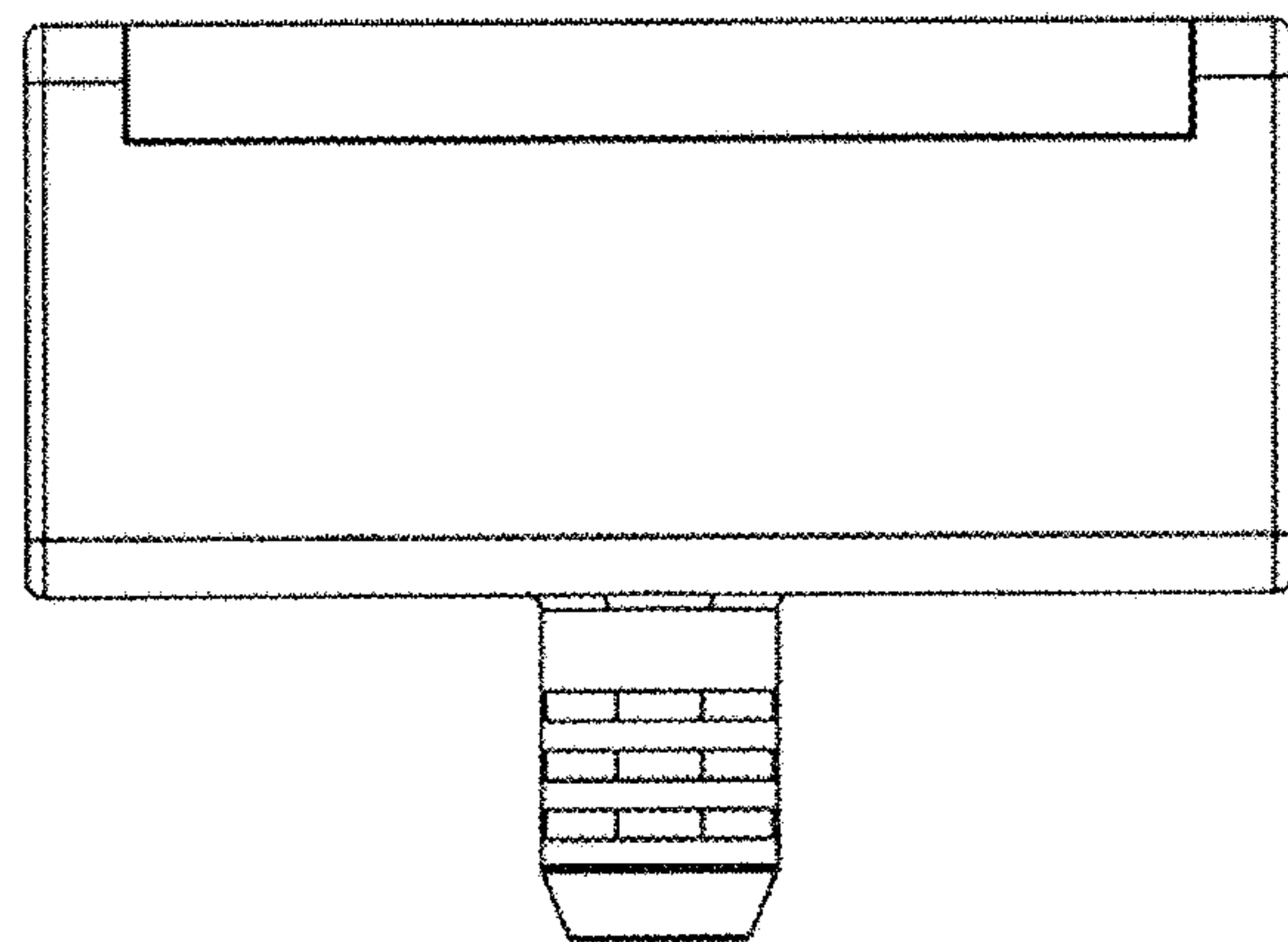
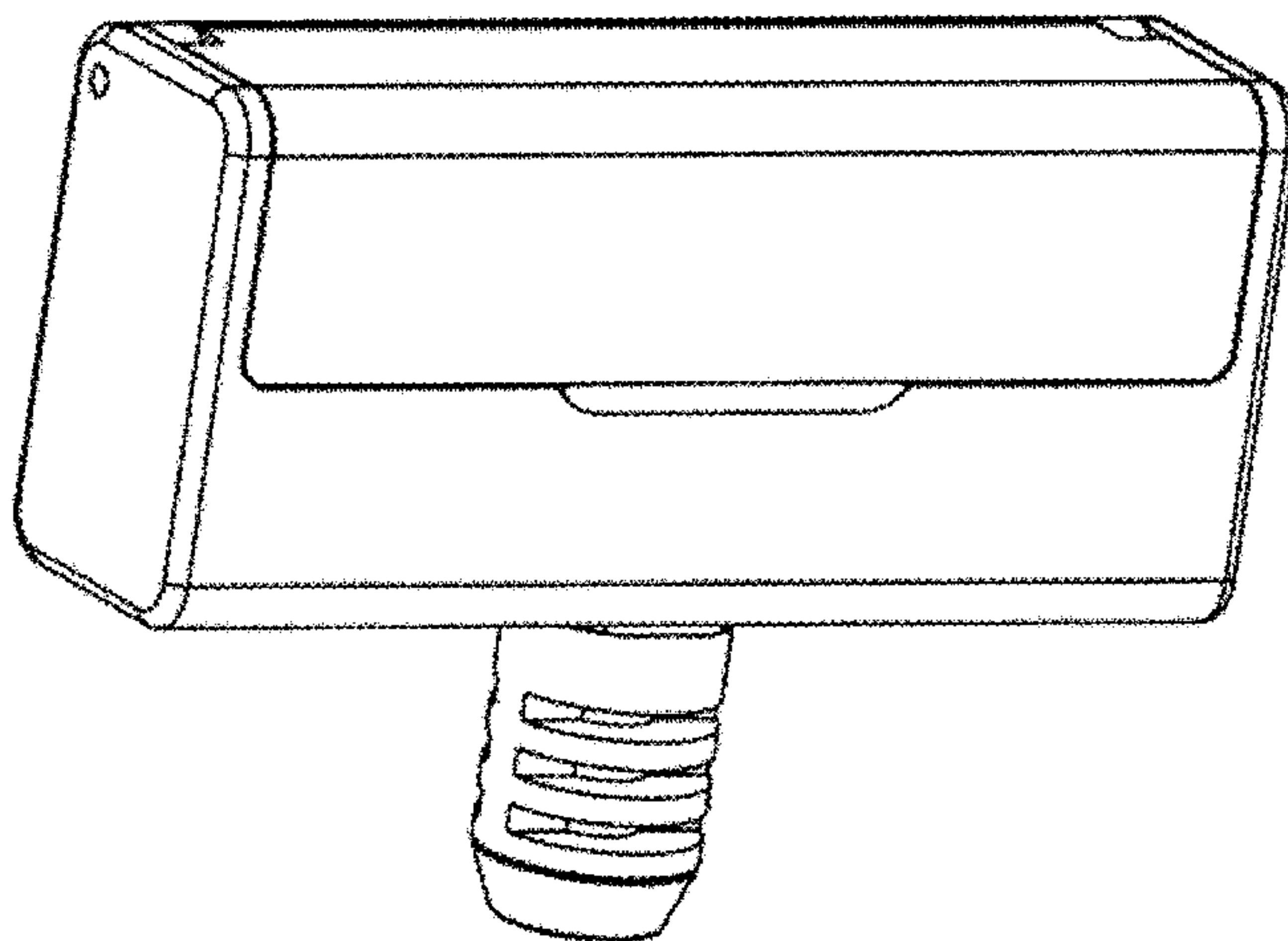
FIG. 4 is a left side elevational view thereof;

FIG. 5 is a right side elevational view thereof;

FIG. 6 is a top plan view thereof; and,

FIG. 7 is a bottom plan view thereof.

1 Claim, 4 Drawing Sheets



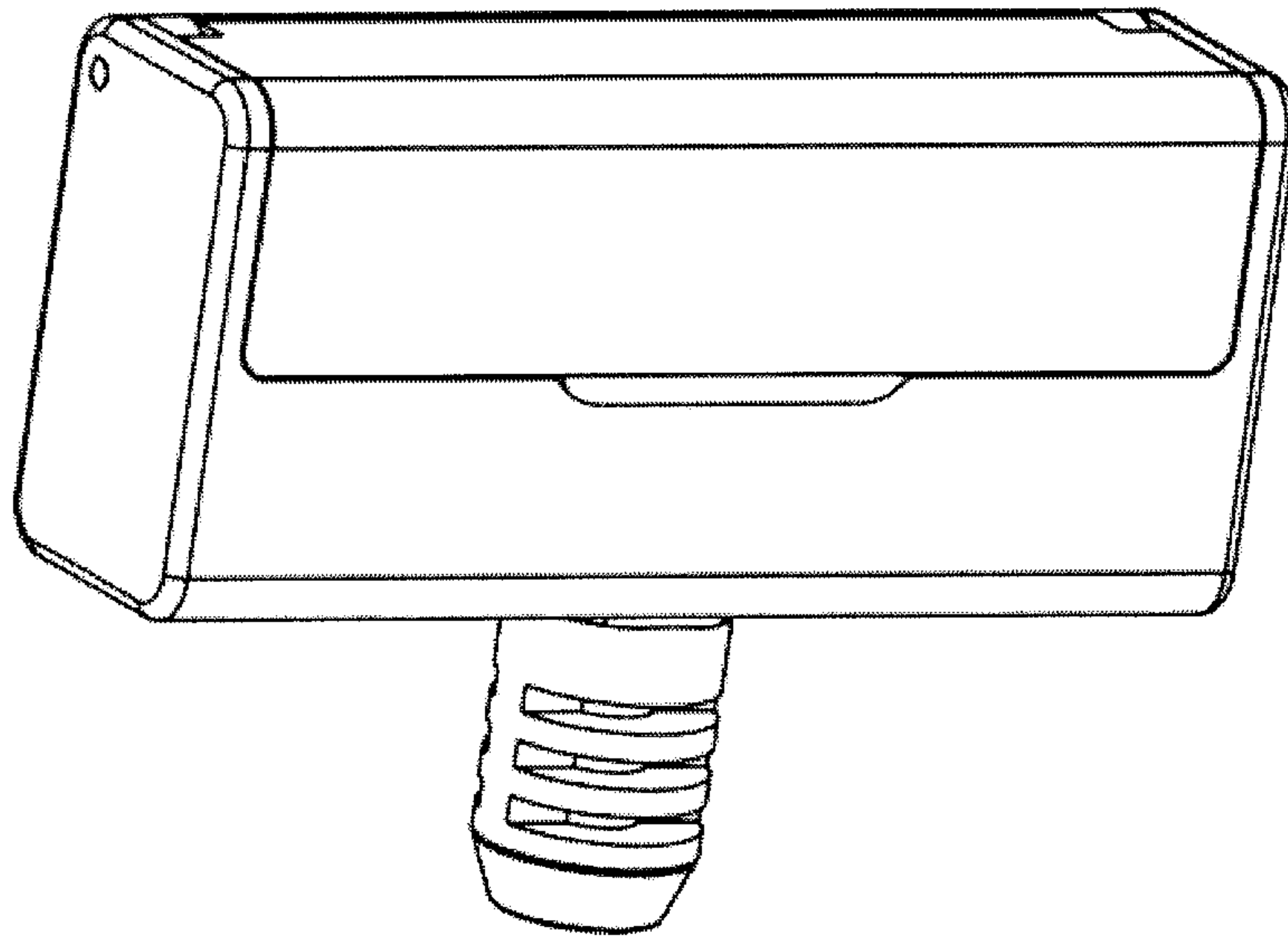


FIG.1

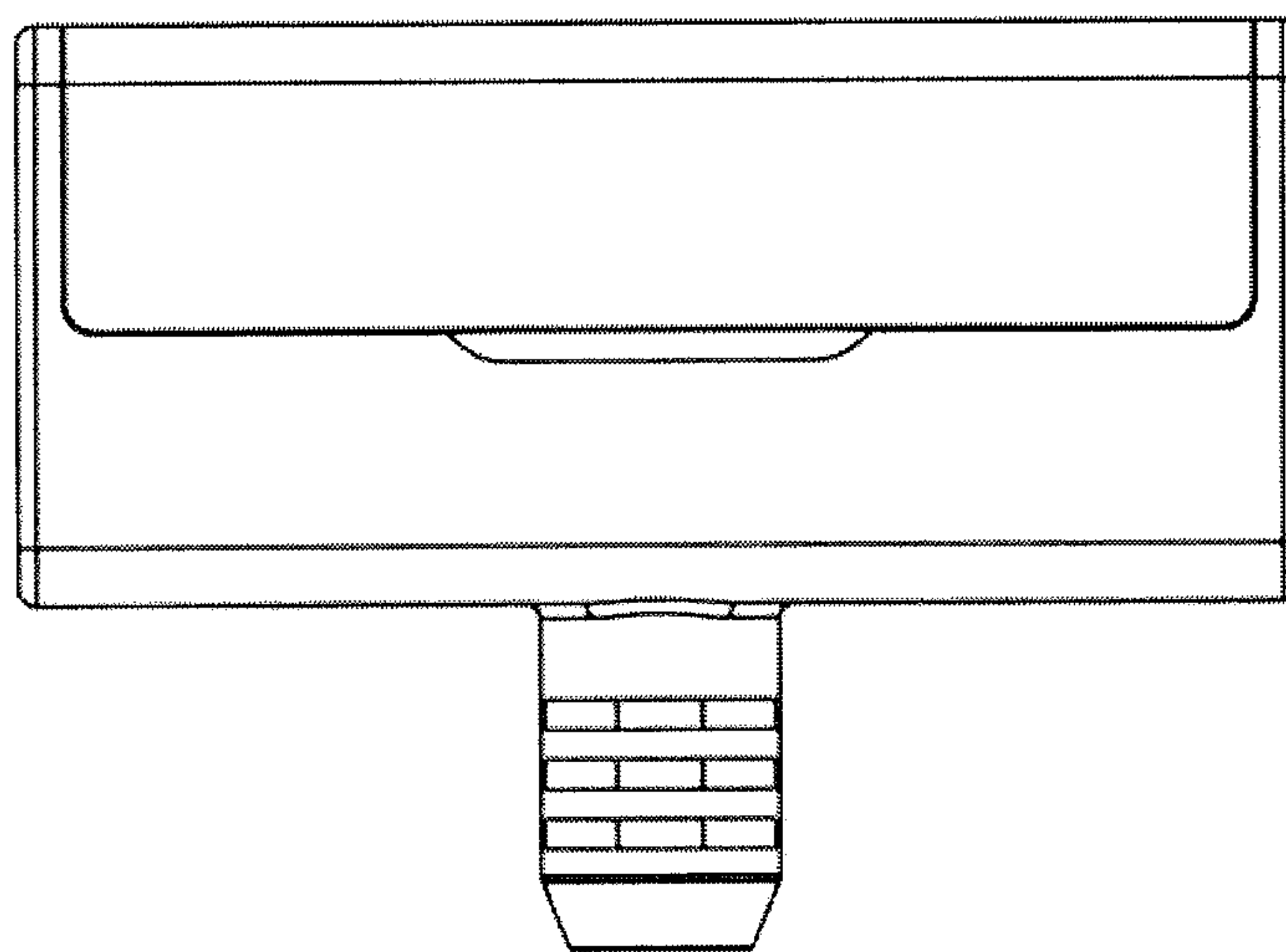


FIG.2

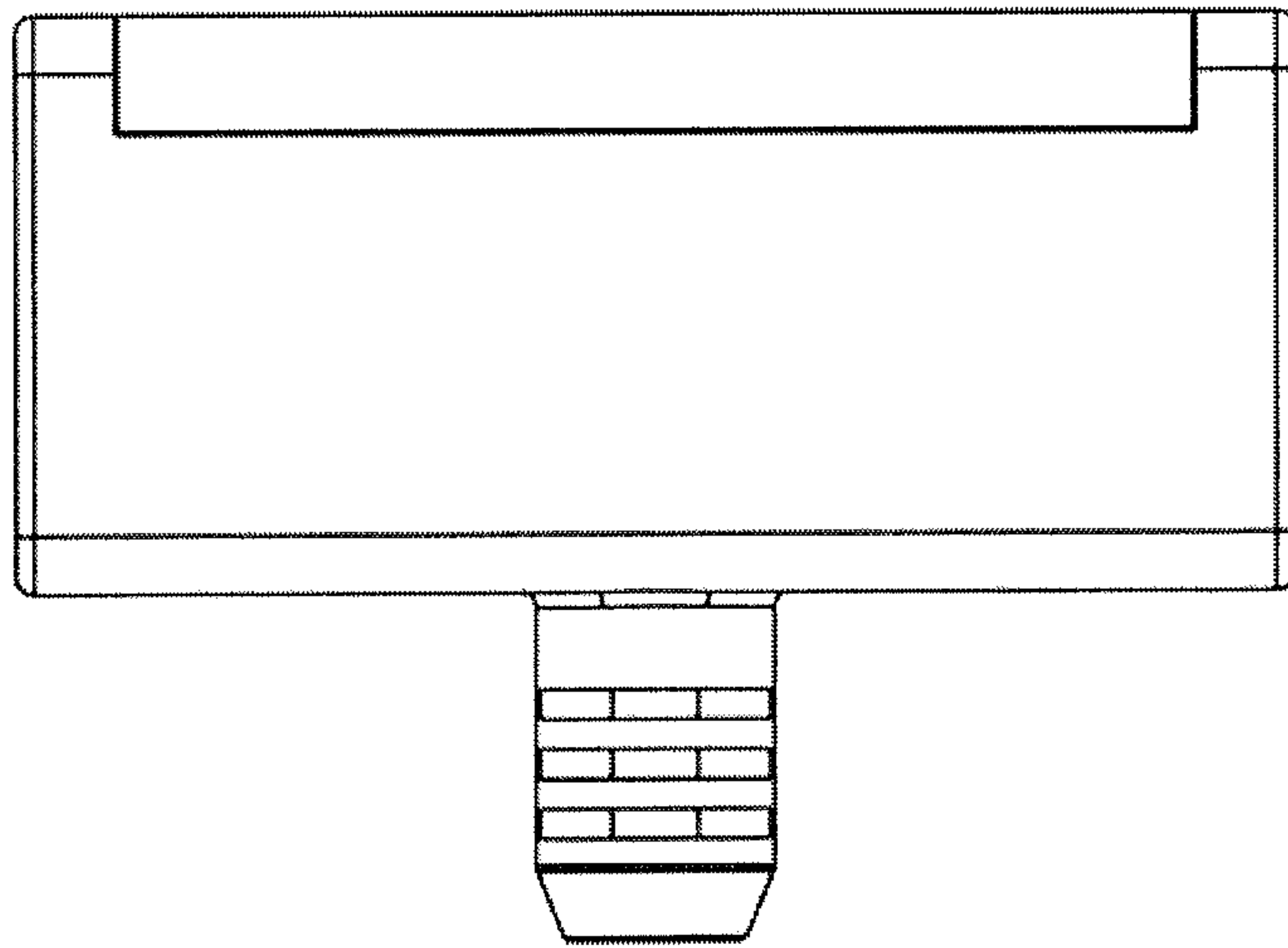


FIG.3

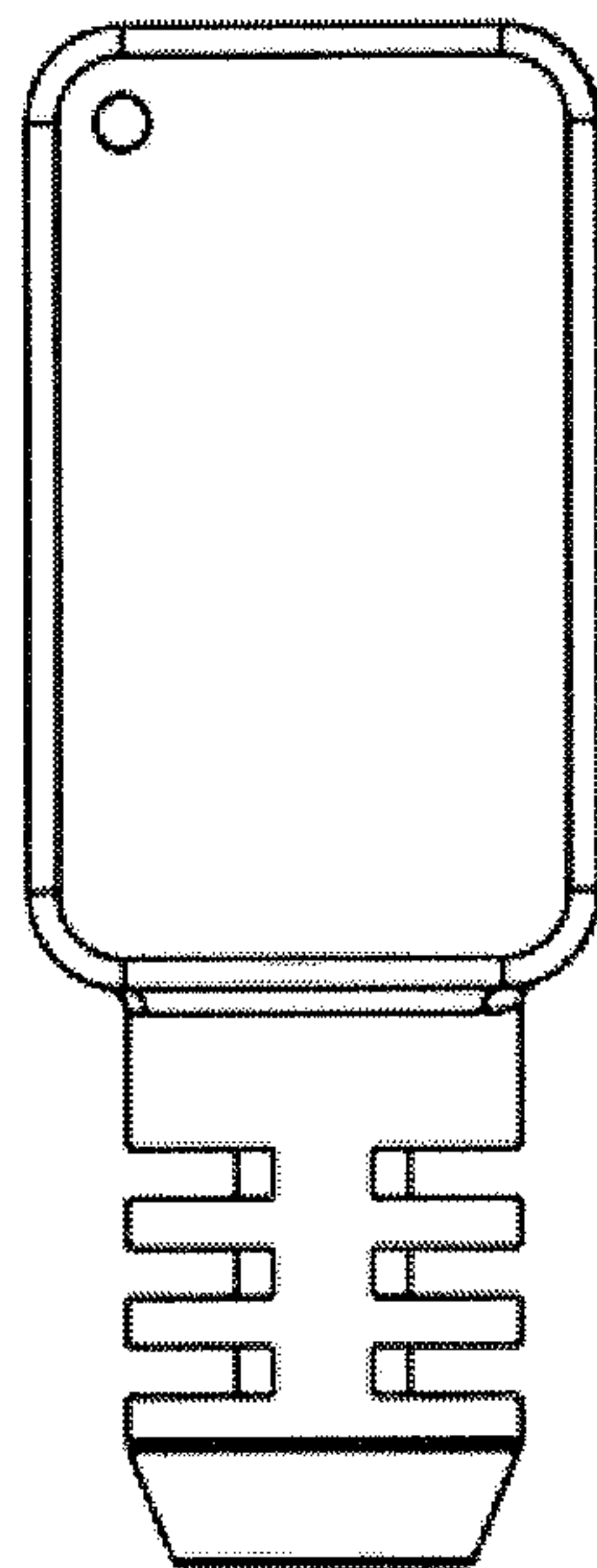


FIG.4

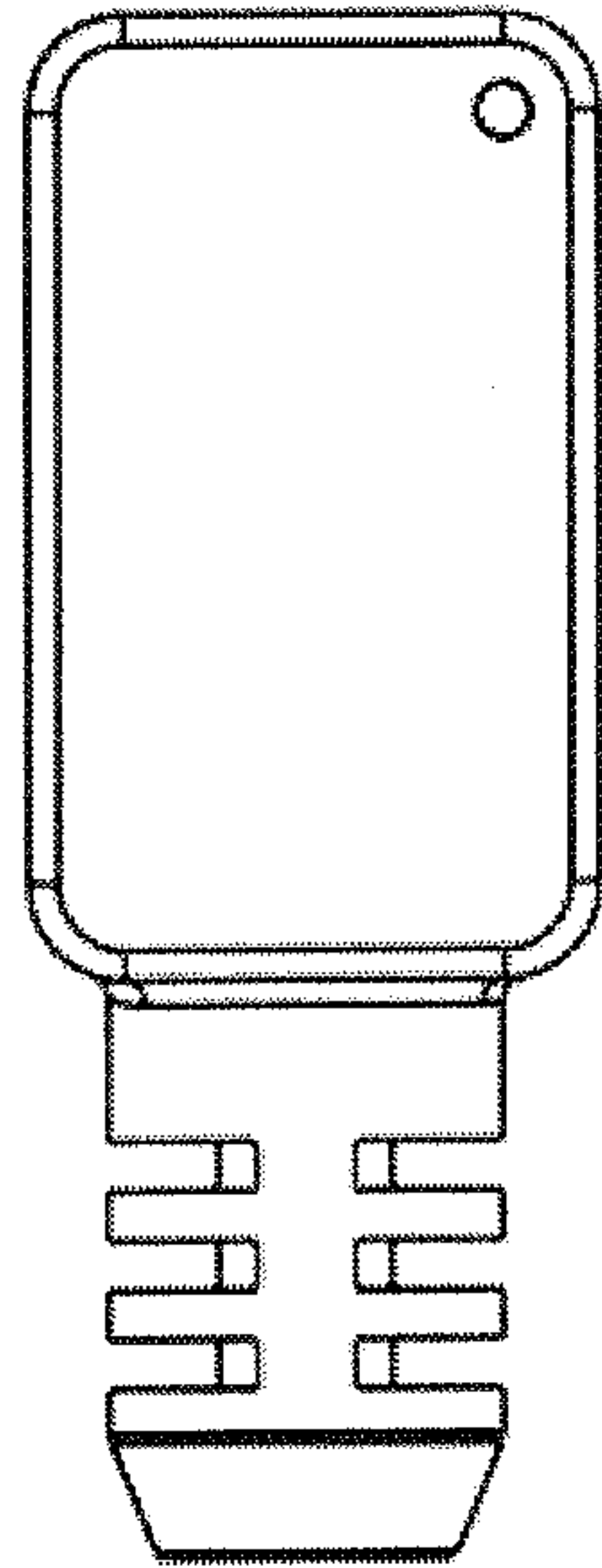


FIG.5

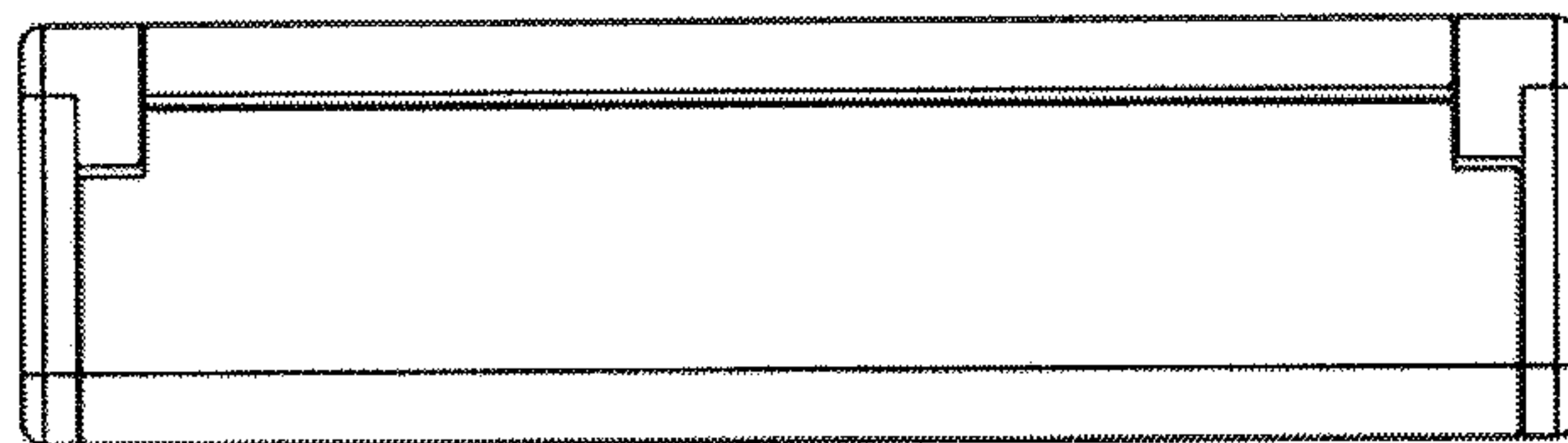


FIG.6

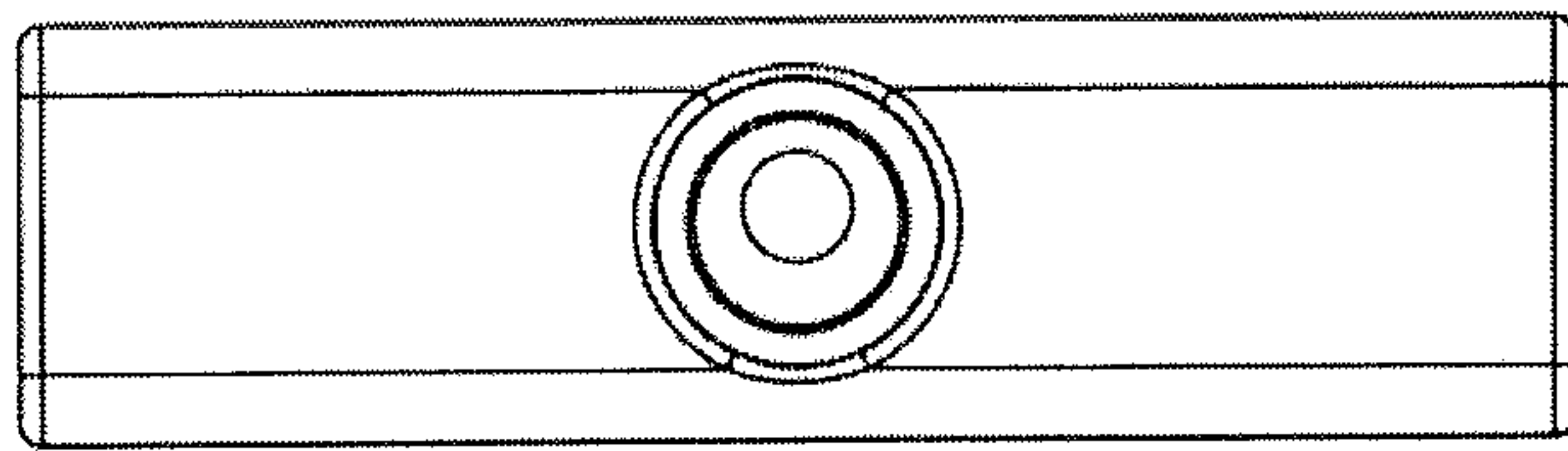


FIG. 7