



US00D883928S

(12) **United States Design Patent** (10) **Patent No.:** **US D883,928 S**
Lust (45) **Date of Patent:** **** May 12, 2020**

(54) **FAN MOTOR** 5,630,461 A * 5/1997 CoChimin B22C 9/046
 164/34
 (71) Applicant: **ebm-papst Mulfingen GmbH & Co.** D401,553 S * 11/1998 Pearce D13/112
KG, Mulfingen (DE) D502,917 S * 3/2005 Bird D13/112
 D579,869 S * 11/2008 Lau D13/112
 (72) Inventor: **Alexander Lust, Obersulm (DE)** D611,410 S * 3/2010 Sturm D13/112
 D642,200 S * 7/2011 Jiang D15/5
 D664,565 S * 7/2012 Sonoda D15/5
 (73) Assignee: **ebm-papst Mulfingen GmbH & Co.** D673,667 S * 1/2013 McElveen D23/370
KG, Mulfingen (DE) D707,629 S * 6/2014 Cocks D13/122
 D726,110 S * 4/2015 Wang D13/122
 (**) Term: **15 Years** 2008/0252155 A1* 10/2008 Waddell H02K 1/325
 310/58
 (21) Appl. No.: **29/635,749** 2011/0074254 A1* 3/2011 Critchley H02K 9/14
 310/60 R
 (22) Filed: **Feb. 2, 2018**

(30) **Foreign Application Priority Data**
 Aug. 30, 2017 (EM) 004171692-0003
 (51) **LOC (12) Cl.** **13-01**
 (52) **U.S. Cl.**
 USPC **D13/112**
 (58) **Field of Classification Search**
 USPC D13/101, 112, 113, 114, 118, 122, 184,
 D13/199; D15/3, 5, 199; D23/370, 377,
 D23/411; D26/59
 CPC .. H02K 5/18; H02K 5/20; H02K 9/00; H02K
 9/14; H02K 9/19; H02K 9/20; H02K
 3/24; H02K 3/47; H02K 3/487; H02K
 7/145; H02K 11/33; H02K 2205/09;
 B23D 53/12; F02B 63/04
 See application file for complete search history.

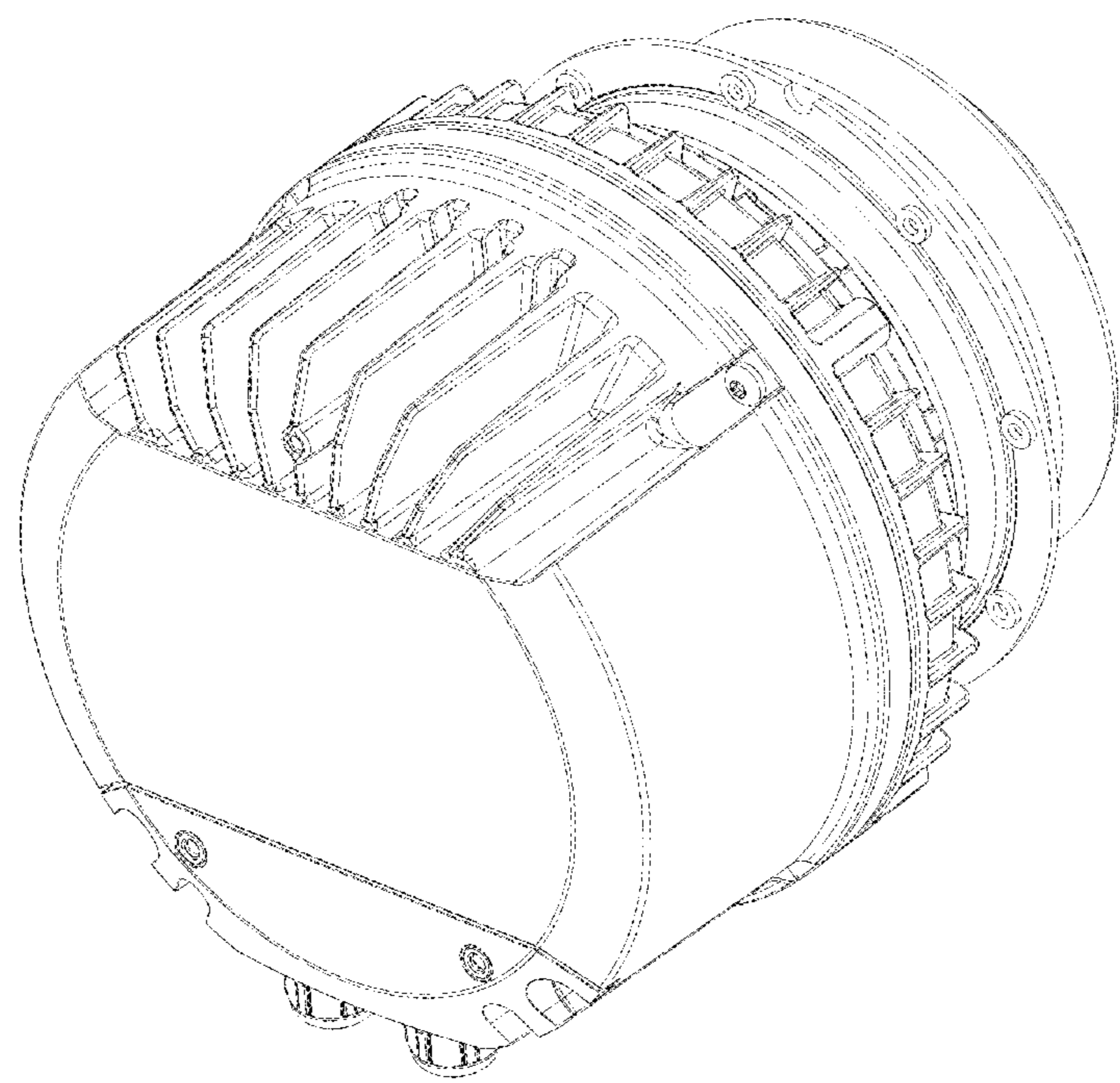
(56) **References Cited**
 U.S. PATENT DOCUMENTS
 D268,022 S * 2/1983 Lenz D13/122
 4,673,837 A * 6/1987 Gingerich H02K 5/148
 29/597

* cited by examiner
Primary Examiner — Derrick E Holland
 (74) *Attorney, Agent, or Firm* — Harness, Dickey &
 Pierce, P.L.C.

(57) **CLAIM**
 The ornamental design for a fan motor, as shown and
 described.

DESCRIPTION
 FIG. 1 is a perspective view of a fan motor;
 FIG. 2 is a side view thereof;
 FIG. 3 is an end view thereof;
 FIG. 4 is a side view thereof;
 FIG. 5 is a side view thereof;
 FIG. 6 is a side view thereof; and,
 FIG. 7 is another perspective view thereof.

1 Claim, 7 Drawing Sheets



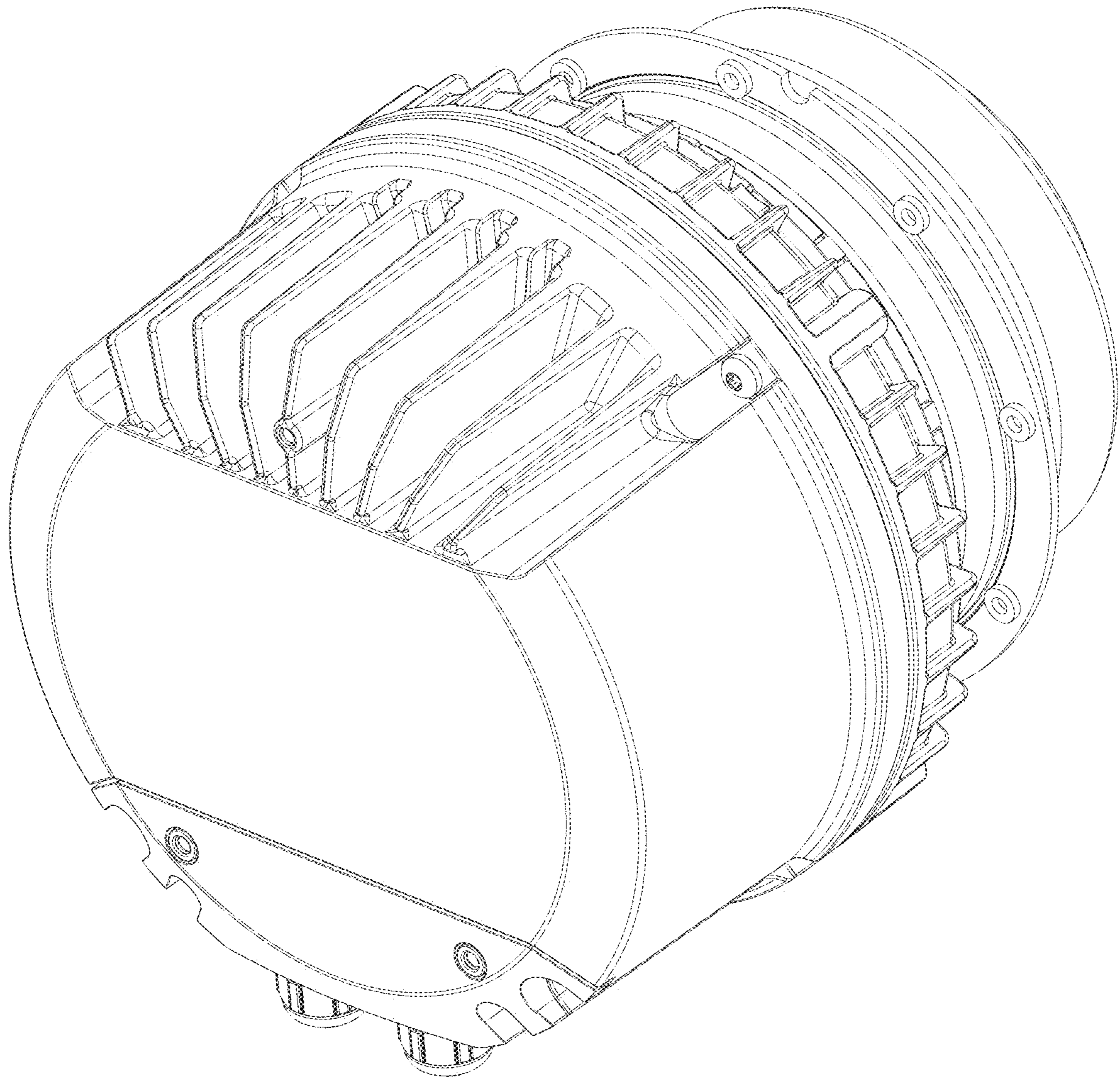


Fig. 1

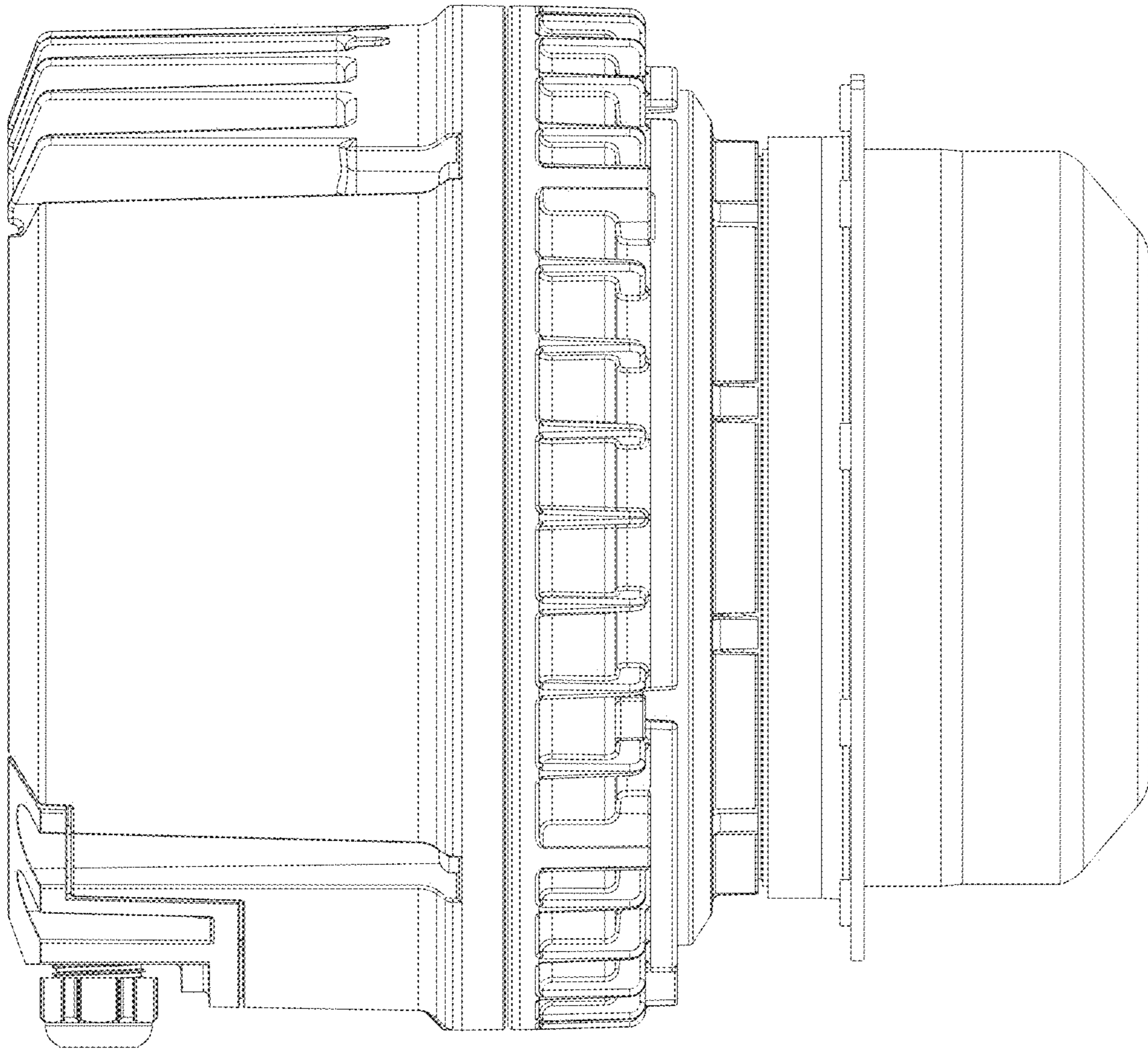


Fig. 2

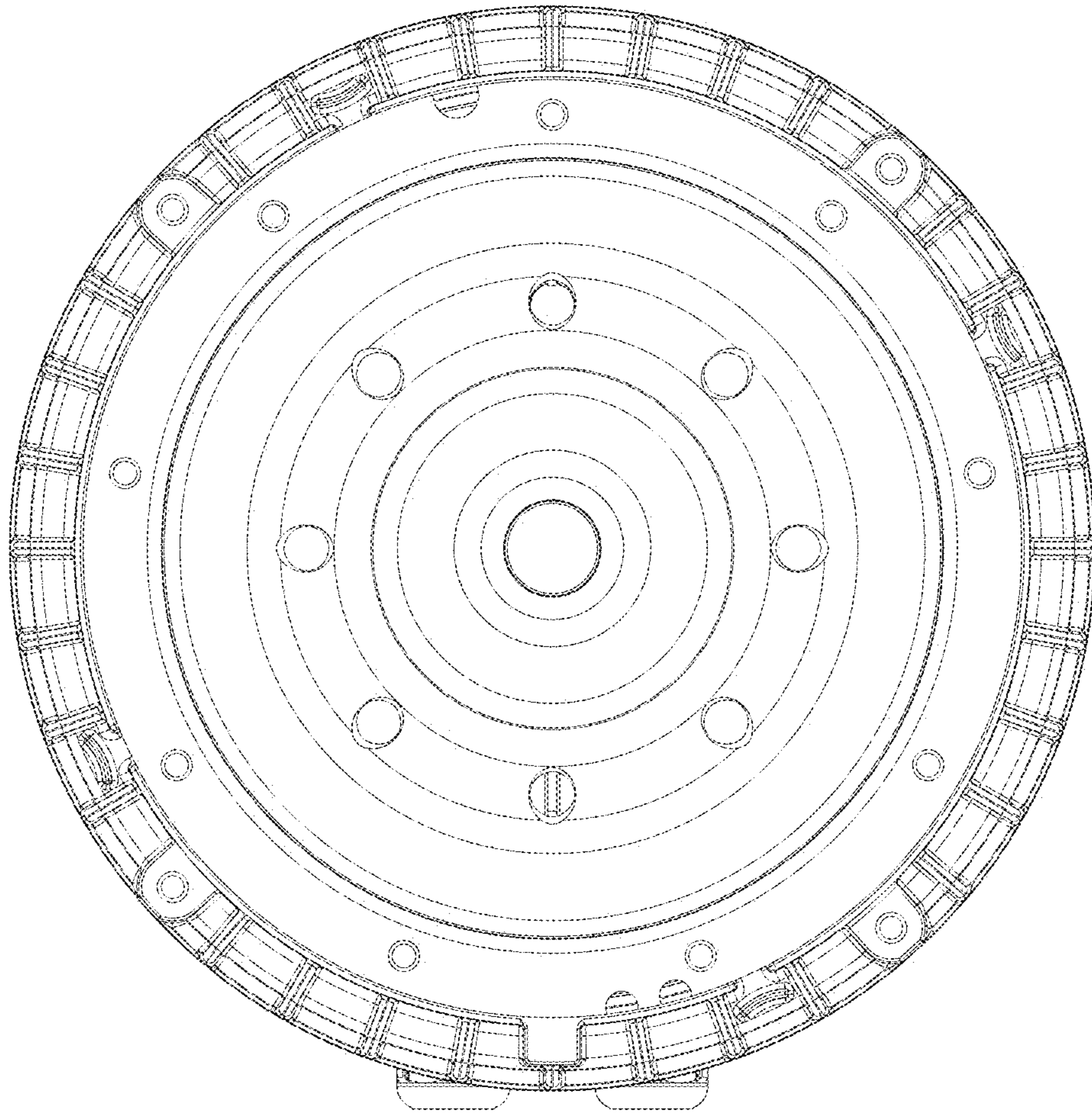


Fig. 3

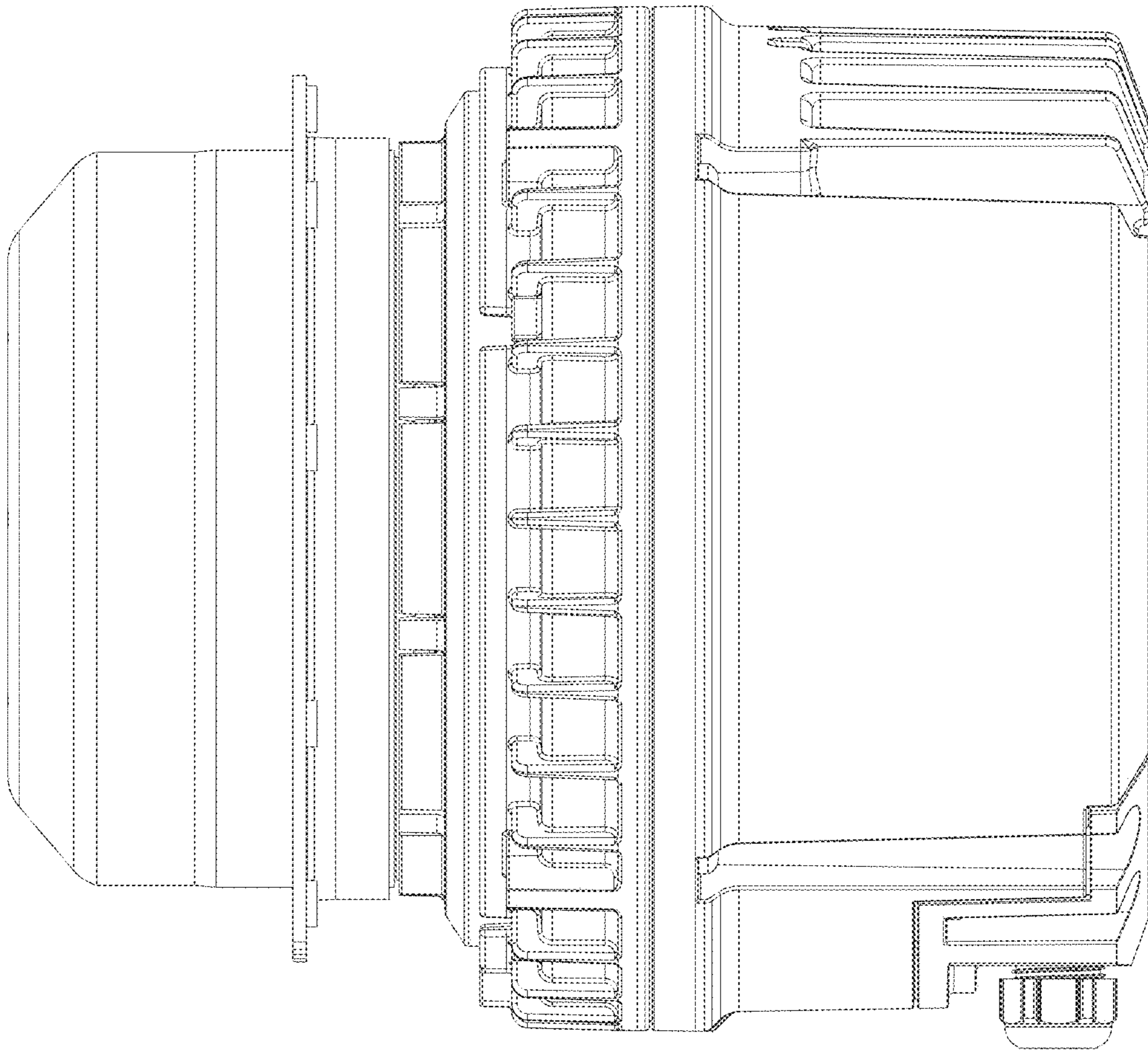


Fig. 4

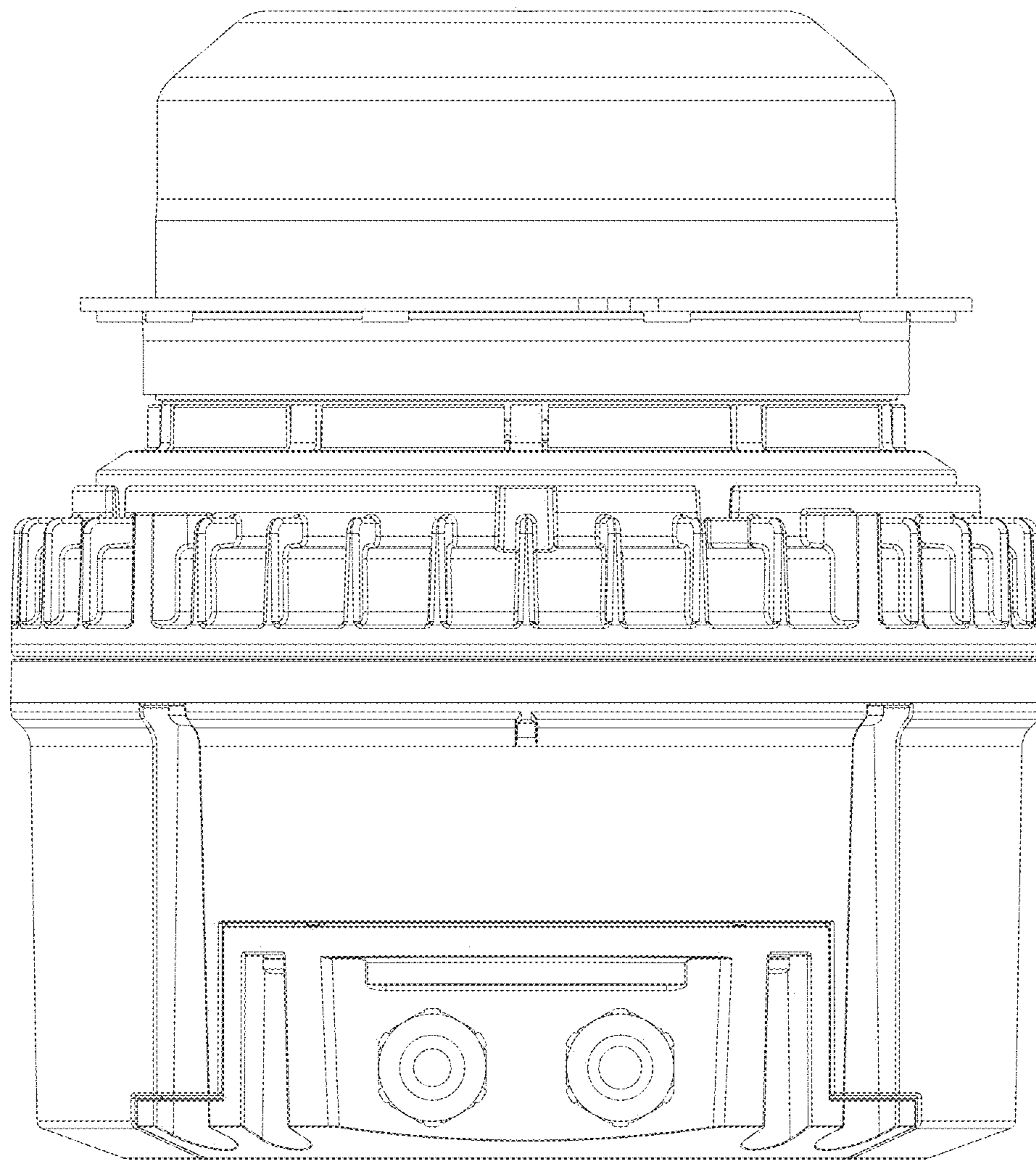


Fig. 5

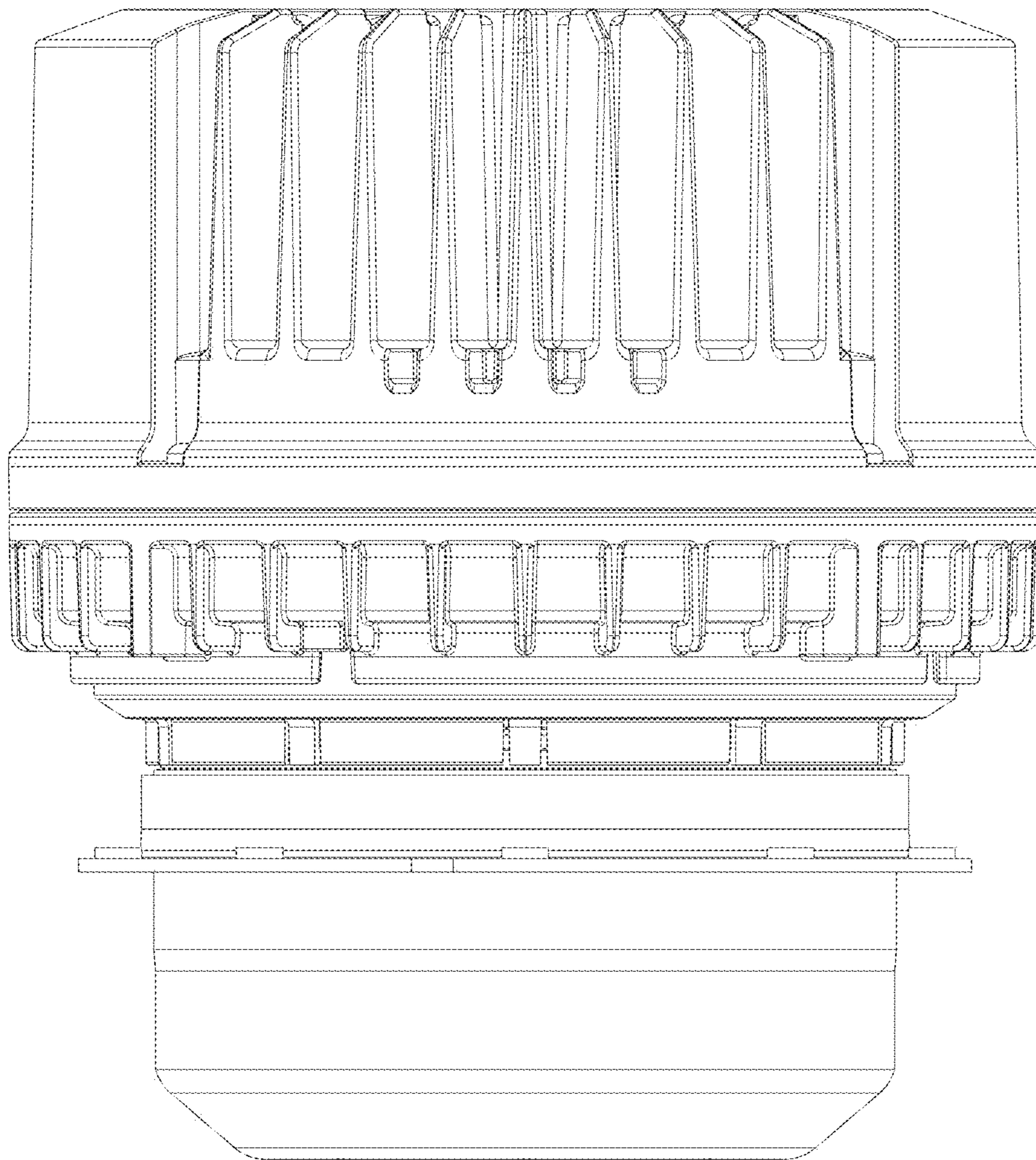


Fig. 6

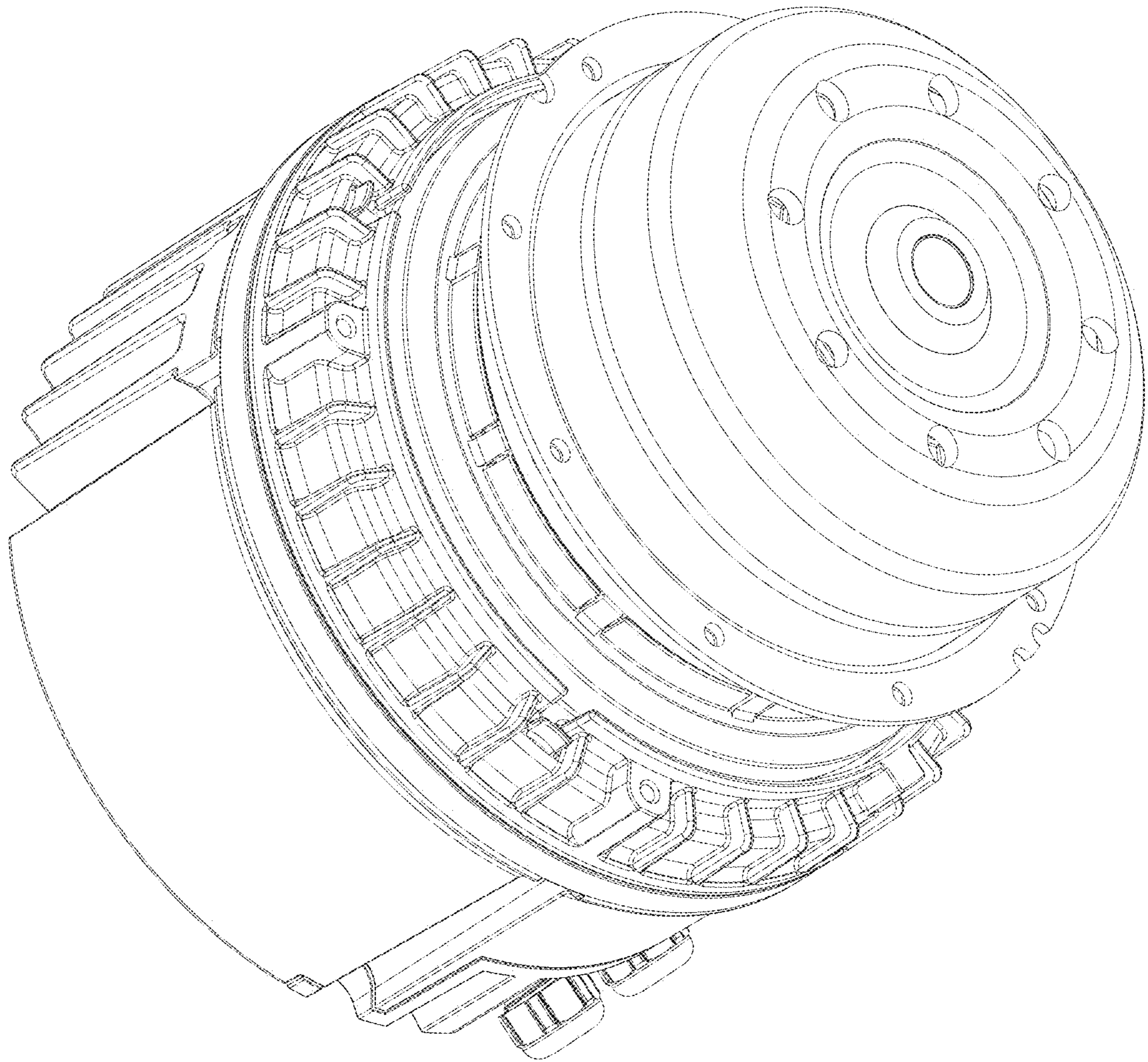


Fig. 7