



US00D883927S

(12) **United States Design Patent** (10) **Patent No.:** **US D883,927 S**
Chan et al. (45) **Date of Patent:** **** May 12, 2020**

(54) **UNINTERRUPTIBLE POWER SUPPLY**
(71) Applicant: **SCHNEIDER ELECTRIC IT CORPORATION**, West Kingston, RI (US)
(72) Inventors: **Ming Che Chan**, Taoyuan (TW); **Hsin-Hsiao Lin**, New Taipei (TW); **Chung-Hui Chen**, New Taipei (TW)
(73) Assignee: **SCHNEIDER ELECTRIC IT CORPORATION**, West Kingston, RI (US)
(**) Term: **15 Years**
(21) Appl. No.: **29/639,701**
(22) Filed: **Mar. 8, 2018**
(51) **LOC (12) Cl.** **13-10**
(52) **U.S. Cl.**
USPC **D13/110**
(58) **Field of Classification Search**
USPC D13/103, 104, 107, 110, 119, 120, 133, D13/156
CPC H01R 13/641; H01M 2/1022; H01M 2/1027; H01M 2/1072; H01M 2/105; H01M 2/1077; H02B 1/20
See application file for complete search history.

D812,000 S * 3/2018 Li D13/108
D820,198 S * 6/2018 Smith D13/103
D842,237 S * 3/2019 Qiu D13/103
D844,560 S * 4/2019 Miller D13/108
D852,742 S * 7/2019 Li D13/110
2008/0050645 A1* 2/2008 Kai H01M 2/1077
429/61
2009/0123821 A1* 5/2009 Kim H01M 2/0404
429/124
2011/0070465 A1* 3/2011 Kim H01M 10/42
429/7
2015/0207181 A1* 7/2015 Fink H01M 2/043
429/7
2017/0264059 A1* 9/2017 Cote H01R 25/006
2019/0131678 A1* 5/2019 Kim H01M 2/10
2019/0189982 A1* 6/2019 Lee H01M 2/1061
2019/0198952 A1* 6/2019 Choi H01M 10/6554

* cited by examiner

Primary Examiner — Susan Bennett Hattan
Assistant Examiner — Suzanne E Tisdell
(74) *Attorney, Agent, or Firm* — Lando & Anastasi, LLP

(57) **CLAIM**

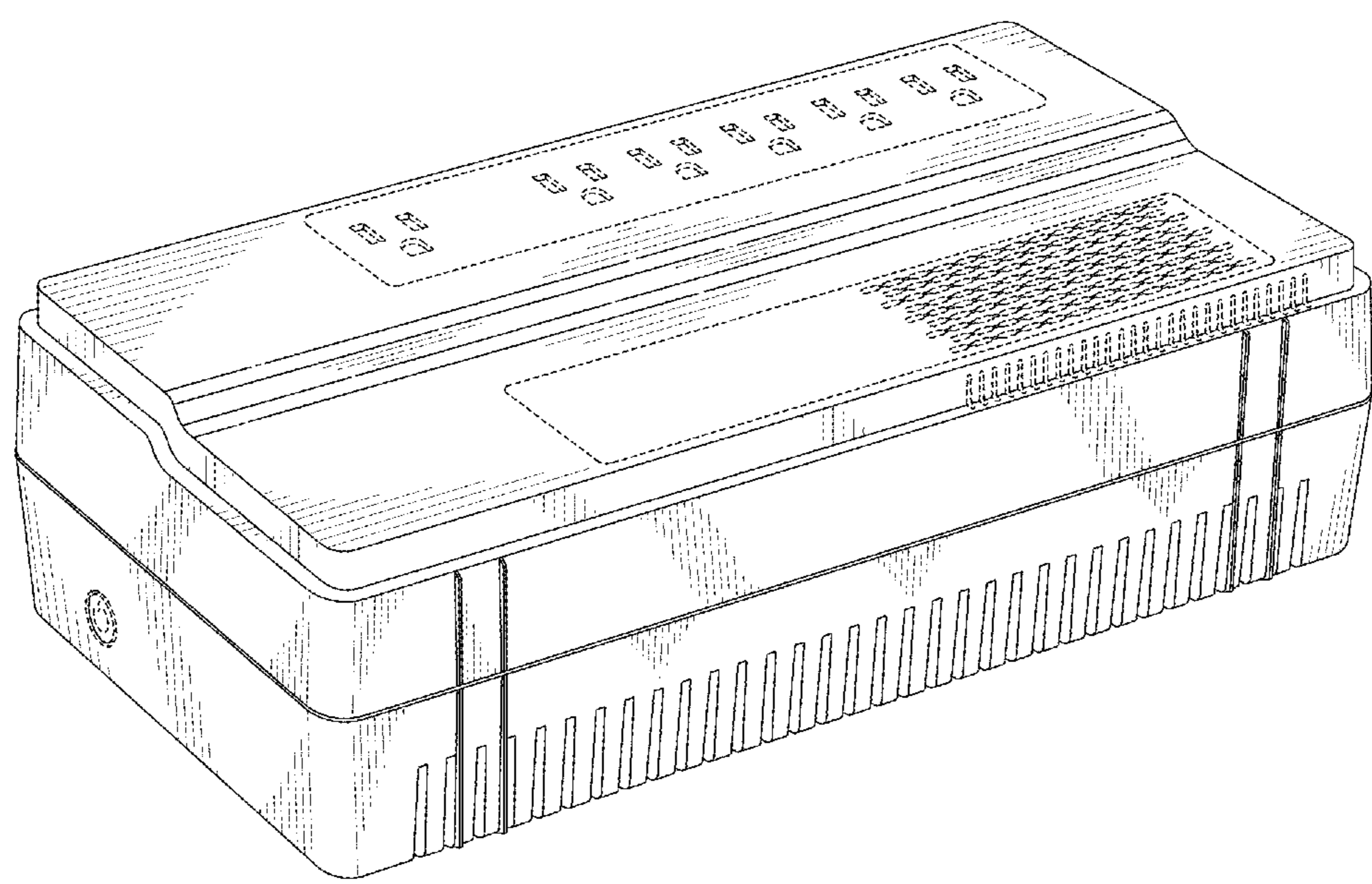
The ornamental design for an uninterruptible power supply, as shown and described.

DESCRIPTION

FIG. 1 is a perspective view of an uninterruptible power supply design of the present disclosure; FIG. 2 is a top plan view thereof; FIG. 3 is a bottom plan view thereof; FIG. 4 is a front elevational view thereof; FIG. 5 is a back elevational view thereof; FIG. 6 is a left side elevational view thereof; and, FIG. 7 is a right side elevational view thereof. The broken lines and the unshaded areas within the broken lines illustrate portions of the uninterruptible power supply and form no part of the claimed design.

1 Claim, 7 Drawing Sheets

(56) **References Cited**
U.S. PATENT DOCUMENTS
D657,739 S * 4/2012 Miyawaki D13/104
D705,719 S * 5/2014 Wong D13/103
D711,821 S * 8/2014 Wang D13/103
D759,587 S * 6/2016 Santos D13/103
D762,565 S * 8/2016 Akana D13/103
D775,073 S * 12/2016 Oshiba D13/119
D808,336 S 1/2018 Chien et al.



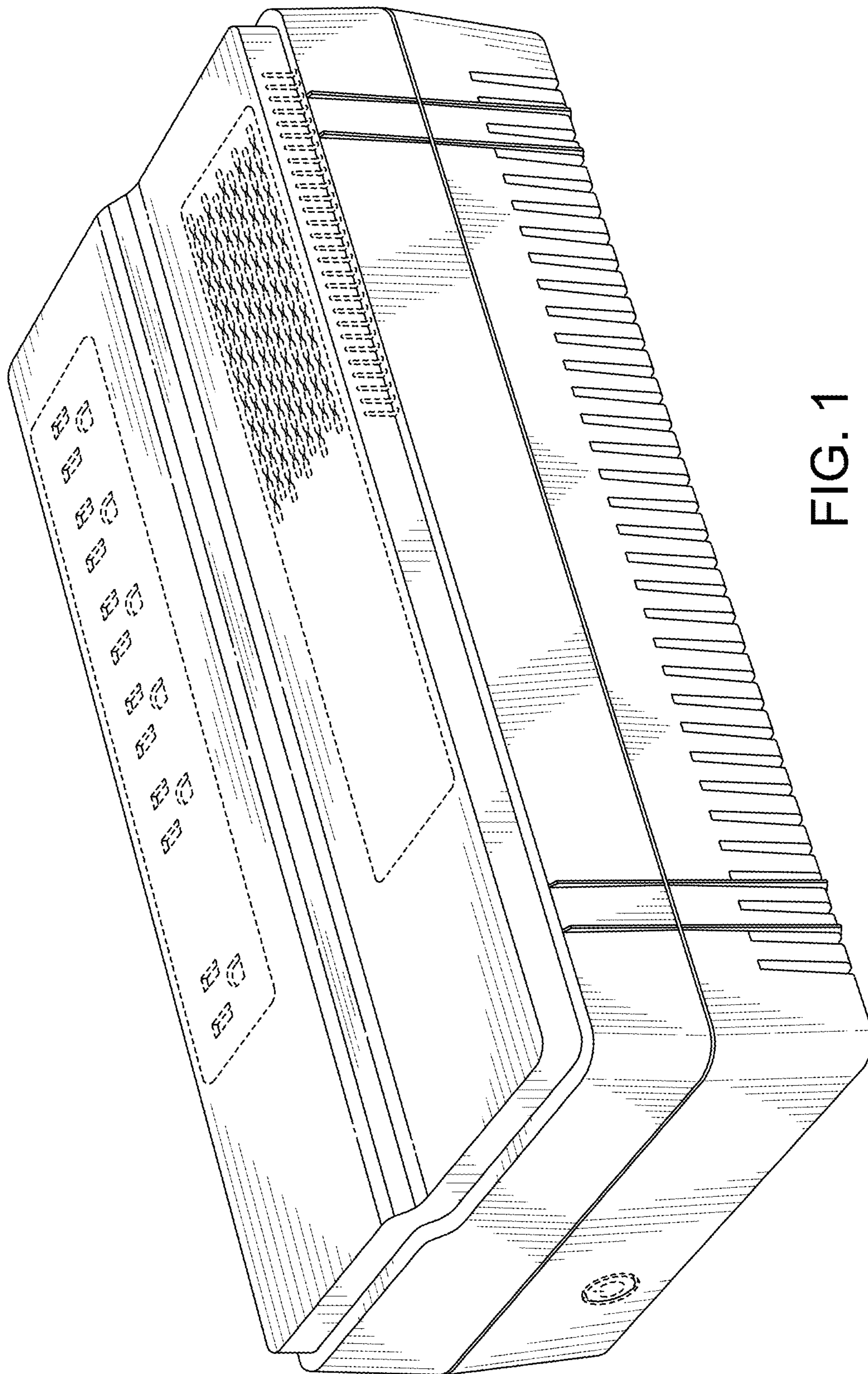


FIG. 1

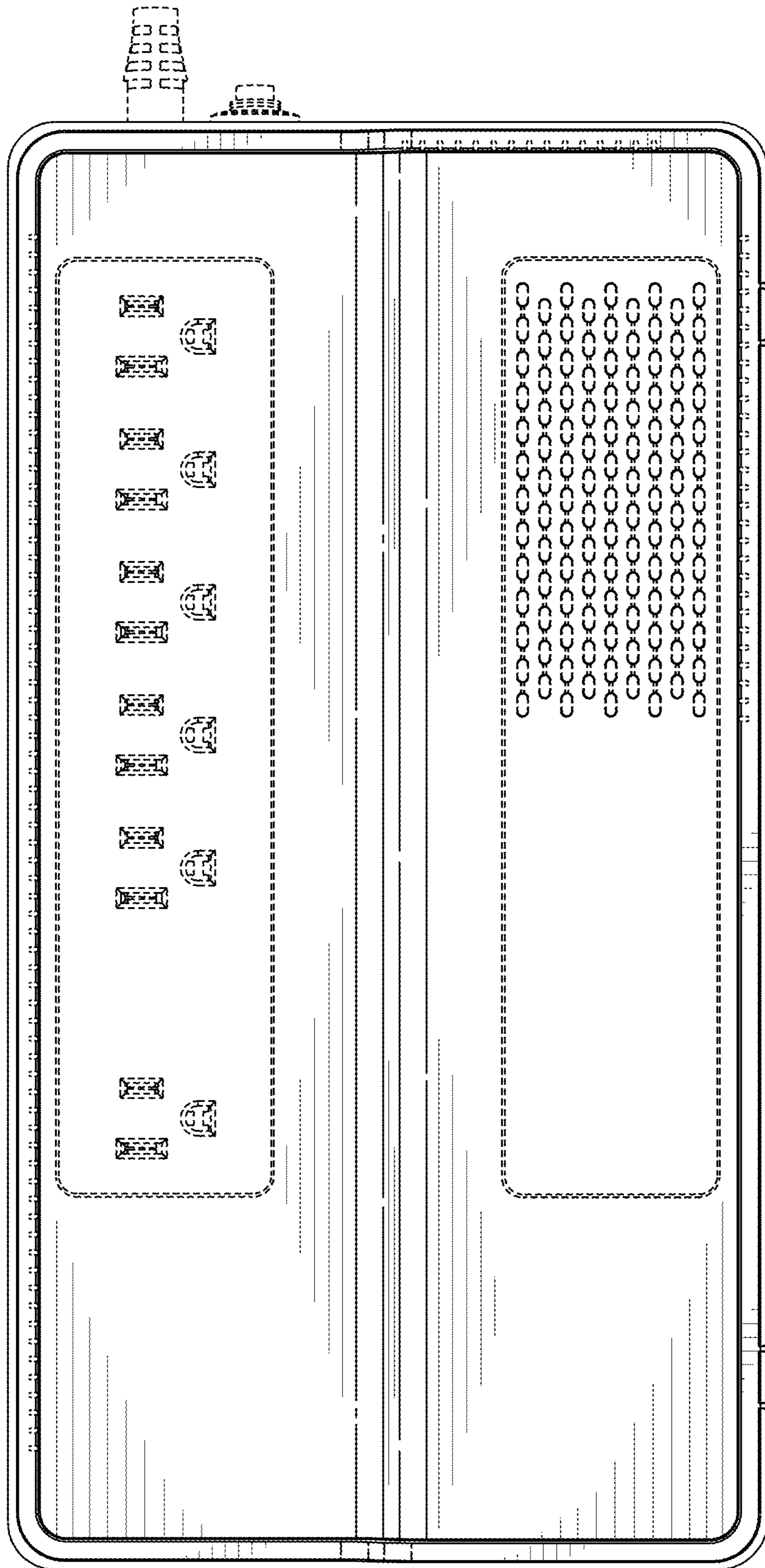


FIG. 2

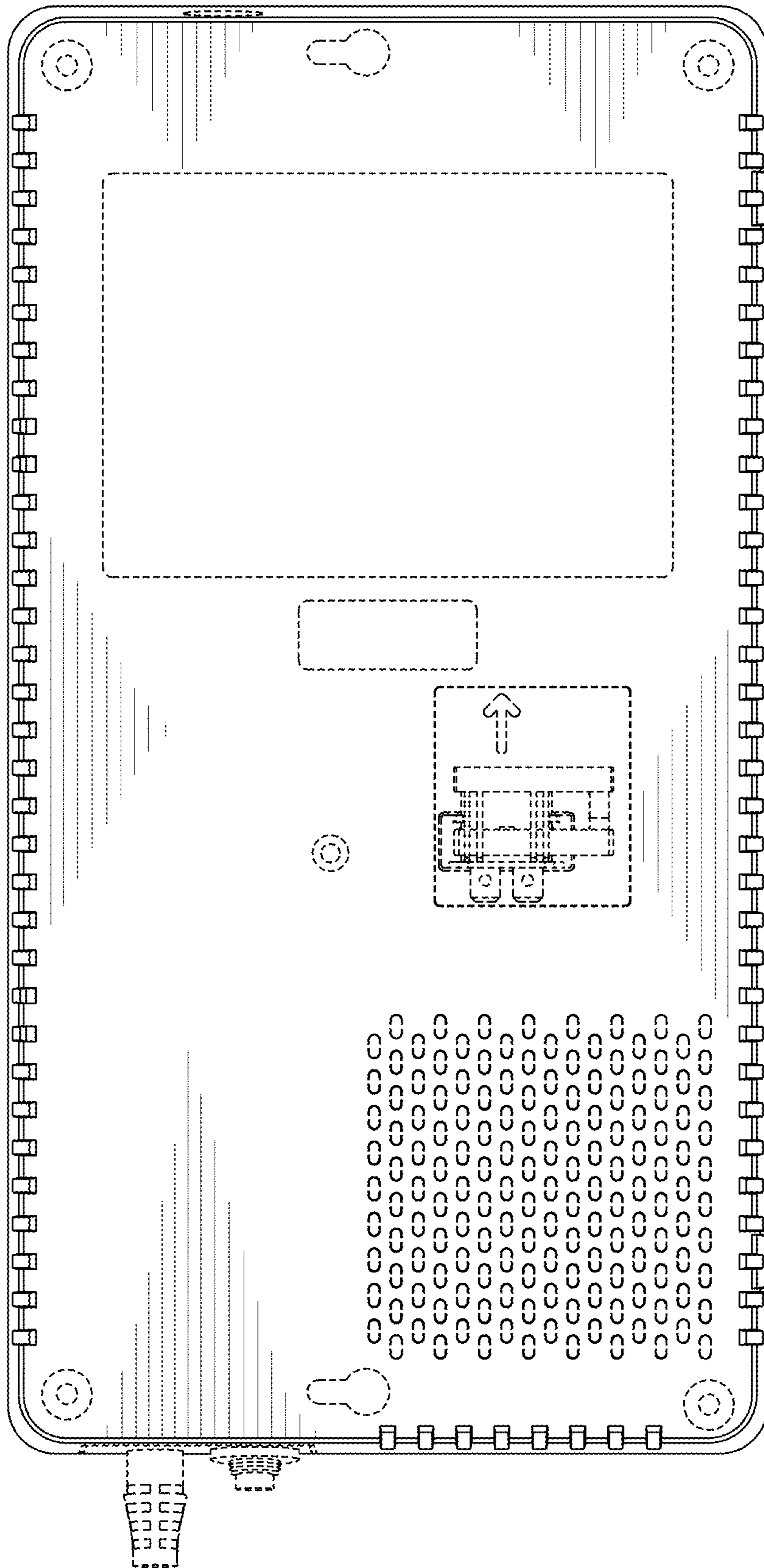


FIG. 3

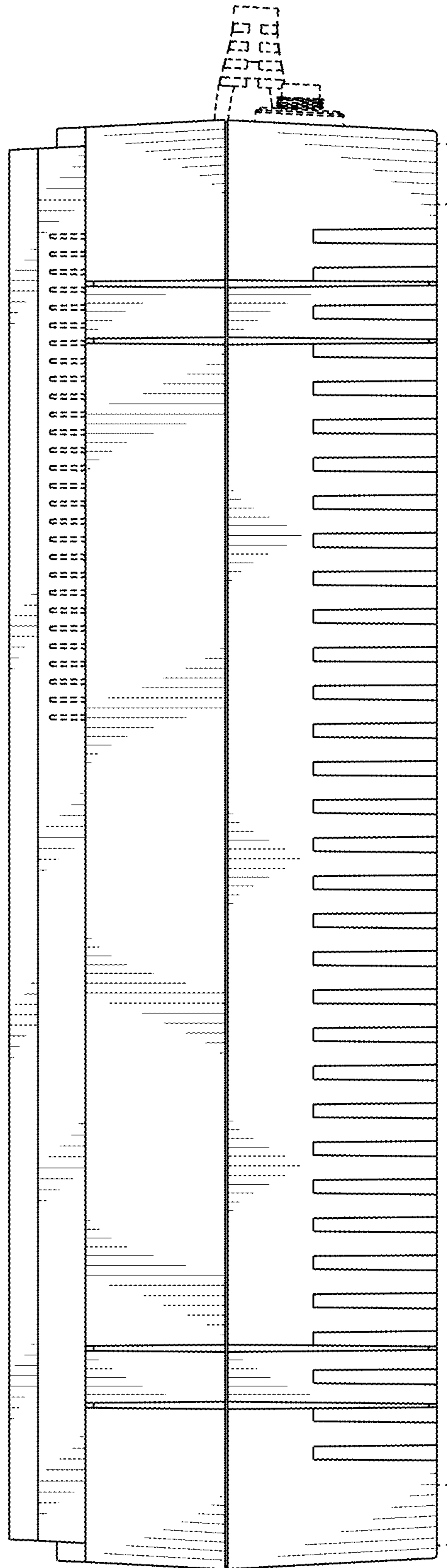


FIG. 4

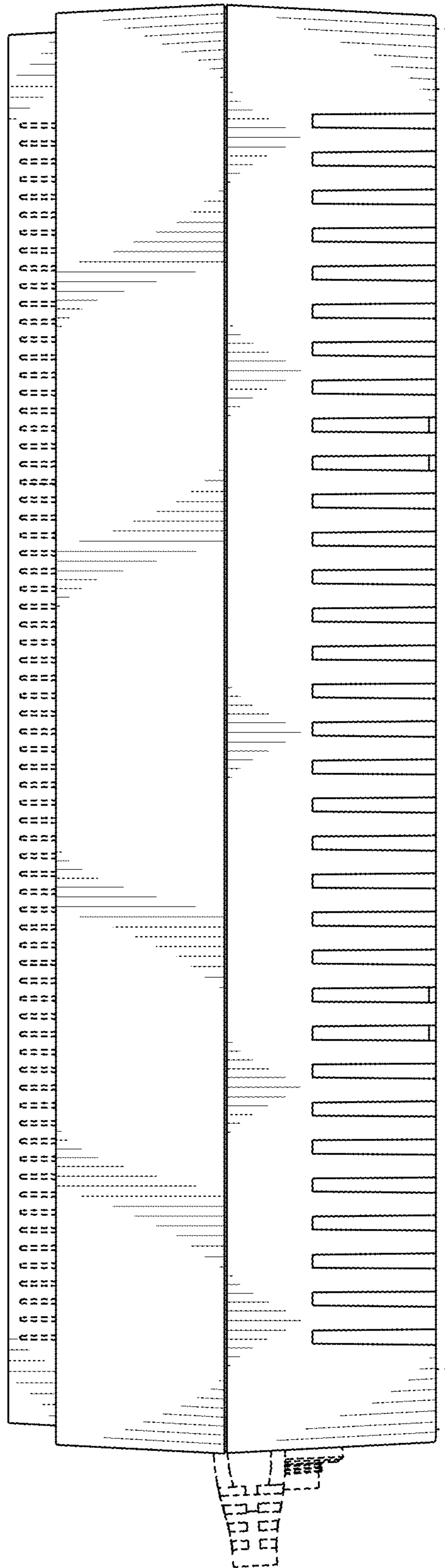


FIG. 5

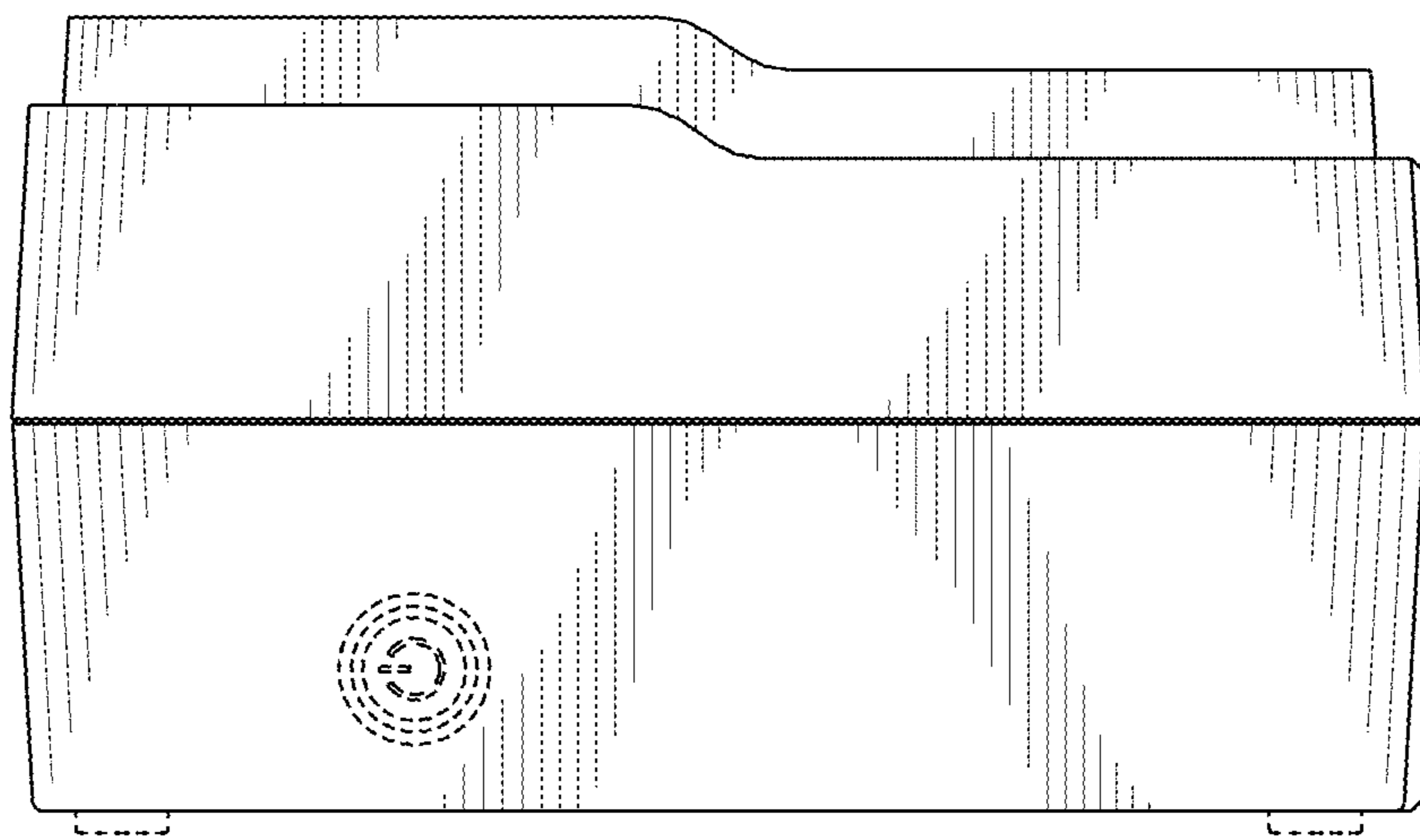


FIG. 6

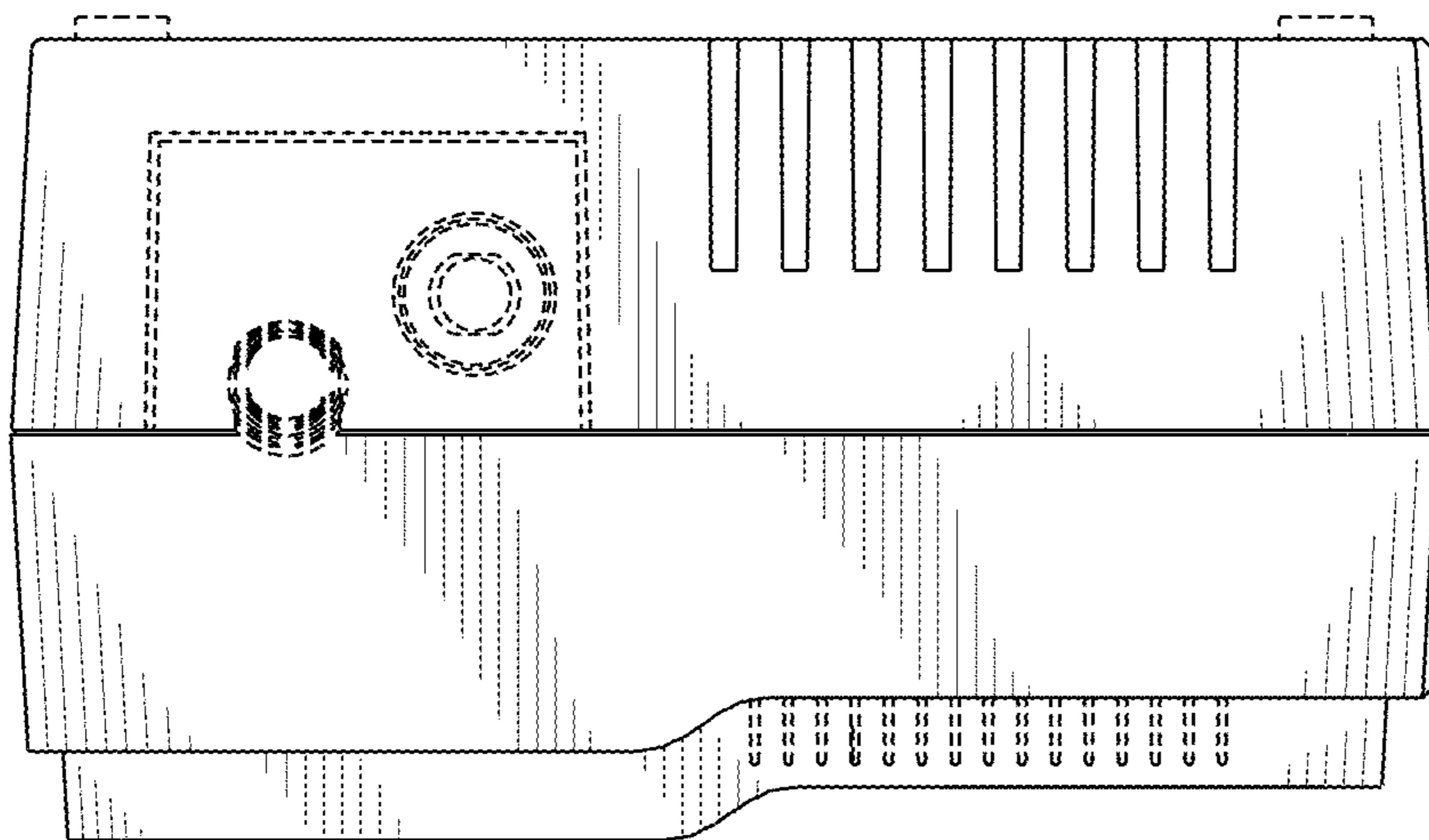


FIG. 7