



US00D883922S

(12) **United States Design Patent** (10) **Patent No.:** **US D883,922 S**  
**Peters** (45) **Date of Patent:** **\*\* May 12, 2020**

- (54) **WIRELESS CHARGING BASE**
- (71) Applicant: **ANNEX PRODUCTS PTY. LTD.,**  
Pahran (AU)
- (72) Inventor: **Christopher Peters,** Pahran (AU)
- (73) Assignee: **ANNEX PRODUCTS PTY. LTD.,**  
Pahran (AU)
- (\*\*) Term: **15 Years**
- (21) Appl. No.: **29/649,629**
- (22) Filed: **May 31, 2018**
- (51) **LOC (12) Cl.** ..... **13-02**
- (52) **U.S. Cl.**  
USPC ..... **D13/108**
- (58) **Field of Classification Search**  
USPC ..... D13/107–110, 118–119, 184; D14/251,  
D14/253, 432, 434  
CPC ..... Y02E 60/12; Y02T 90/14; Y02T 90/122;  
Y02T 90/128; Y02T 90/163; Y02T  
10/7005; Y02T 10/7088; H02J 7/025;  
H02J 7/0042; H02J 7/0044; H02J 7/0045;  
H02J 7/0003; H01F 38/14; H01R  
13/6675; H01M 2/1022; H01M 2/1055;  
H01M 10/44; H01M 10/46; H01M  
10/425; B60L 11/182  
See application file for complete search history.

(56) **References Cited**

**U.S. PATENT DOCUMENTS**

- D533,053 S \* 12/2006 Brassard ..... D8/373
- D609,636 S \* 2/2010 Jensen ..... D13/108
- D627,718 S \* 11/2010 Houghton ..... D13/108
- D694,228 S \* 11/2013 Richter ..... D14/253
- D697,027 S \* 1/2014 Ho ..... D13/108
- D701,831 S \* 4/2014 Park ..... D13/108
- D717,244 S \* 11/2014 Reishus ..... D13/108
- D718,236 S \* 11/2014 Murray ..... D13/108
- D740,750 S \* 10/2015 Mayden ..... D13/108
- D747,267 S \* 1/2016 Aumiller ..... D13/108

- 9,243,739 B2 1/2016 Peters
  - D749,504 S \* 2/2016 Jeong ..... D13/108
  - D757,014 S \* 5/2016 Hahn ..... D13/108
- (Continued)

**FOREIGN PATENT DOCUMENTS**

- CN 203809437 U 9/2014
- CN 205001297 U 9/2014

**OTHER PUBLICATIONS**

iPad Case and Pivot stand, Studio Proper, accessed on-line at:  
[www.studioproper.com/products/pivot-stand](http://www.studioproper.com/products/pivot-stand) (available prior to May  
31, 2018).

(Continued)

*Primary Examiner* — Rosemary K Tarcza  
(74) *Attorney, Agent, or Firm* — Barnes & Thornburg  
LLP

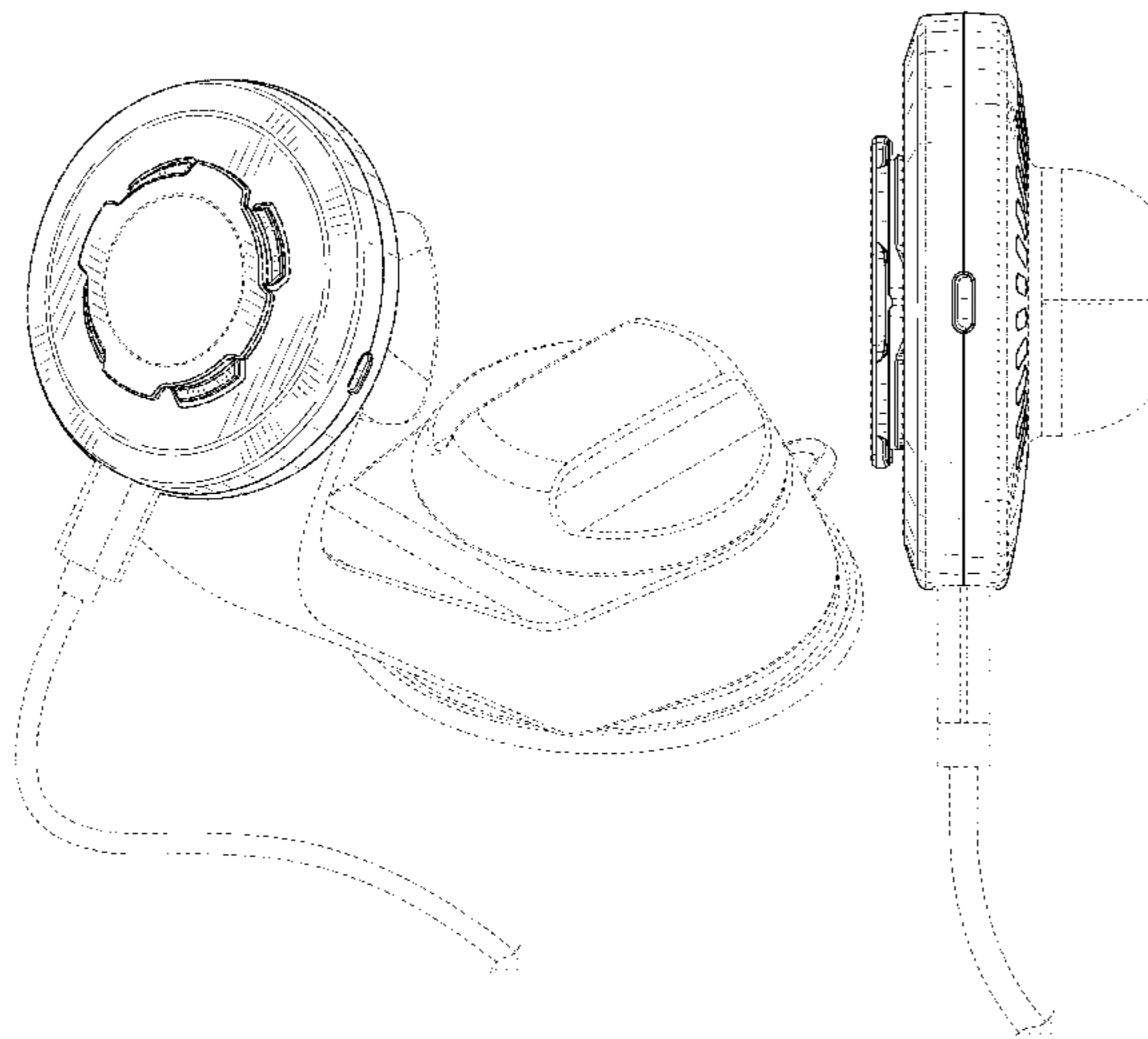
(57) **CLAIM**

I claim the ornamental design for a wireless charging base,  
as shown and described.

**DESCRIPTION**

FIG. 1 is a front perspective view of a wireless charging base  
in accordance with my new design;  
FIG. 2 is a front elevation view of the wireless charging base  
of FIG. 1;  
FIG. 3 is a rear elevation view of the wireless charging base  
of FIG. 1;  
FIG. 4 is a right-side elevation view of the wireless charging  
base of FIG. 1;  
FIG. 5 is a left-side elevation view of the wireless charging  
base of FIG. 1;  
FIG. 6 is a top plan view of the wireless charging base of  
FIG. 1; and,  
FIG. 7 is a bottom plan view of the wireless charging base  
of FIG. 1.  
The broken lines depict portions of the wireless charging  
base that form no part of the claimed design.

**1 Claim, 7 Drawing Sheets**



(56)

References Cited

U.S. PATENT DOCUMENTS

D772,813	S	*	11/2016	Wahl	.....	D13/108
D774,455	S	*	12/2016	Kim	.....	D13/108
D784,259	S	*	4/2017	Huang	.....	D13/108
D786,792	S	*	5/2017	Miller	.....	D13/110
D797,042	S	*	9/2017	Miller	.....	D13/107
D800,060	S	*	10/2017	Solland	.....	D13/108
D802,529	S	*	11/2017	Andersson	.....	D13/108
D810,015	S	*	2/2018	Carreon	.....	D13/108
D813,239	S	*	3/2018	Akana	.....	D14/432
D825,549	S	*	8/2018	Lebovitz	.....	D14/253
D832,276	S	*	10/2018	Miles	.....	D14/451
D832,859	S	*	11/2018	Charlesworth	.....	D14/451
D837,148	S	*	1/2019	Brown	.....	D13/108
D839,188	S	*	1/2019	Akana	.....	D13/108
D839,189	S	*	1/2019	Miller	.....	D13/108
D850,367	S	*	6/2019	Xiong	.....	D13/108
D850,370	S	*	6/2019	Lee	.....	D13/108
D850,372	S	*	6/2019	Kong	.....	D13/108
D852,188	S	*	6/2019	He	.....	D14/253
D855,050	S	*	7/2019	Bongard	.....	D14/253
D855,567	S	*	8/2019	Cai	.....	D13/108

OTHER PUBLICATIONS

iPad Case for Car Headrest, Studio Proper, accessed on-line at: [www.studioproper.com/products/headrest-mount](http://www.studioproper.com/products/headrest-mount) (available prior to May 31, 2018).

iPad P/O/S Pivot Table Stand and Wall Mount, Studio Proper, accessed on-line at: [https://www.studioproper.com/products/pos-pivot?gclid=EAlalQobChMI6ZSglYaz2QIVWLXACH3fDwQzEAQYBiABEgJ\\_nvD\\_BwE#](https://www.studioproper.com/products/pos-pivot?gclid=EAlalQobChMI6ZSglYaz2QIVWLXACH3fDwQzEAQYBiABEgJ_nvD_BwE#) (available prior to May 31, 2018).

iPad Pro Case 9.7, Studio Proper, accessed on-line at: [www.studioproper.com/products/ipad-pro-case-9-7](http://www.studioproper.com/products/ipad-pro-case-9-7) (available prior to May 31, 2018).

iPhone and Android Wireless Charger Pads, Which one is the best?, ZDNet, accessed on-line at: [www.zdnet.com/article/iphone-and-android-wireless-charger-pads-which-one-is-the-best/](http://www.zdnet.com/article/iphone-and-android-wireless-charger-pads-which-one-is-the-best/) (available prior to May 31, 2018).

iPhone Magnetic Car Mount, Studio Proper, accessed on-line at: [www.studioproper.com/products/iphone-car-mount](http://www.studioproper.com/products/iphone-car-mount) (available prior to May 31, 2018).

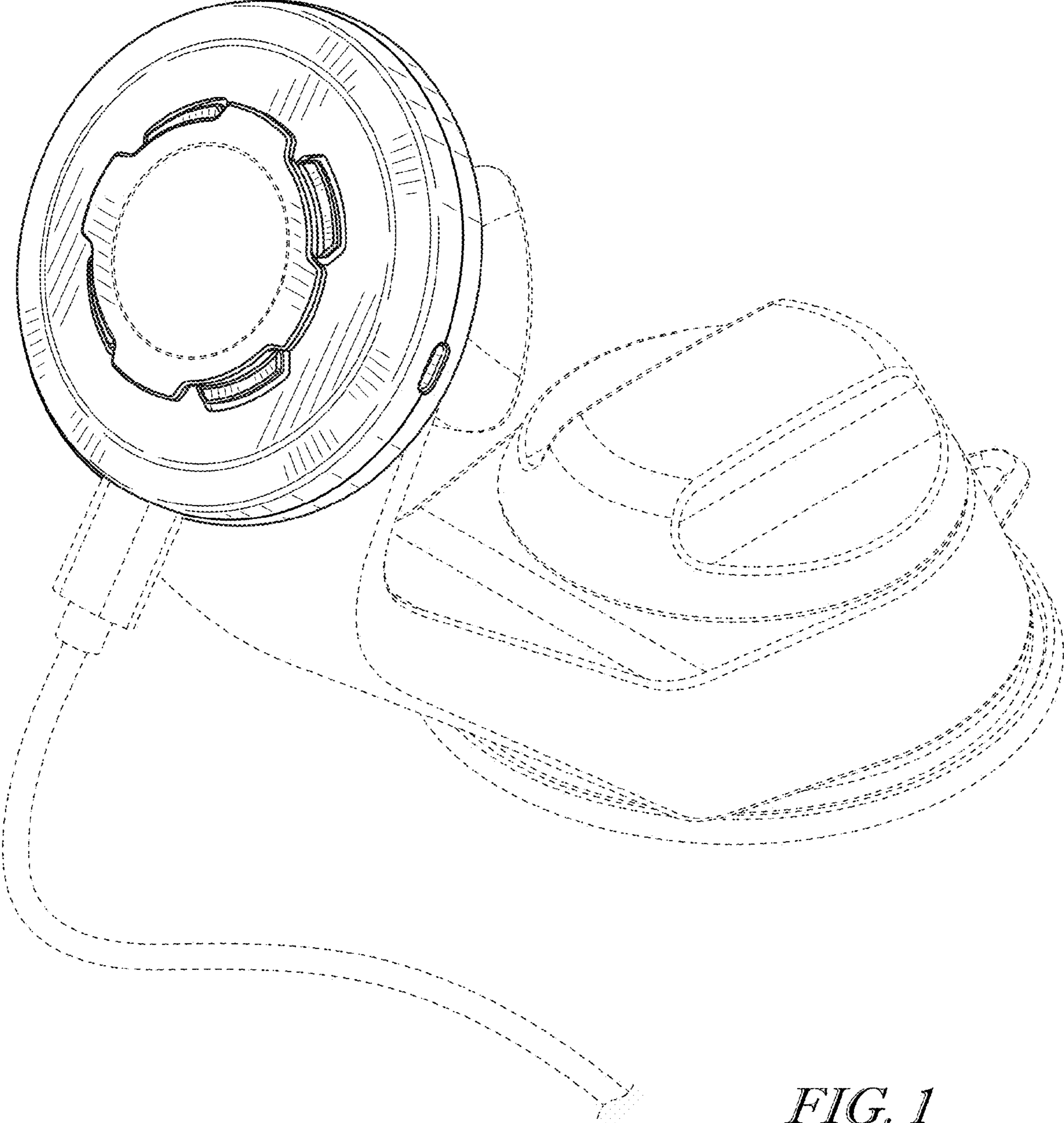
iPhone Magnetic Tilt Stand, Studio Proper, accessed on-line at: <https://www.studioproper.com/products/iphone-tilt-stand> (available prior to May 31, 2018).

Quad Lock—Mounts, Annex Products Pty Ltd., accessed on-line at: [www.quadlockcase.com/collections/shop-mounts](http://www.quadlockcase.com/collections/shop-mounts) (available prior to May 31, 2018).

The Wallee iPad Case and Wall Mount, accessed on-line at: <http://thewallee.com/accessories/details/product/vesa> (available prior to May 31, 2018).

Universal Desk Aluminum Metal Portable Stand Holder Mount for Phone and Tablet, accessed on-line at: <https://www.walmart.com/ip/Universal-Desk-Aluminum-Metal-Portable-Stand-Holder-Mount-For-Phone-and-Tablet-Black/113657279> (available prior to May 31, 2018).

\* cited by examiner





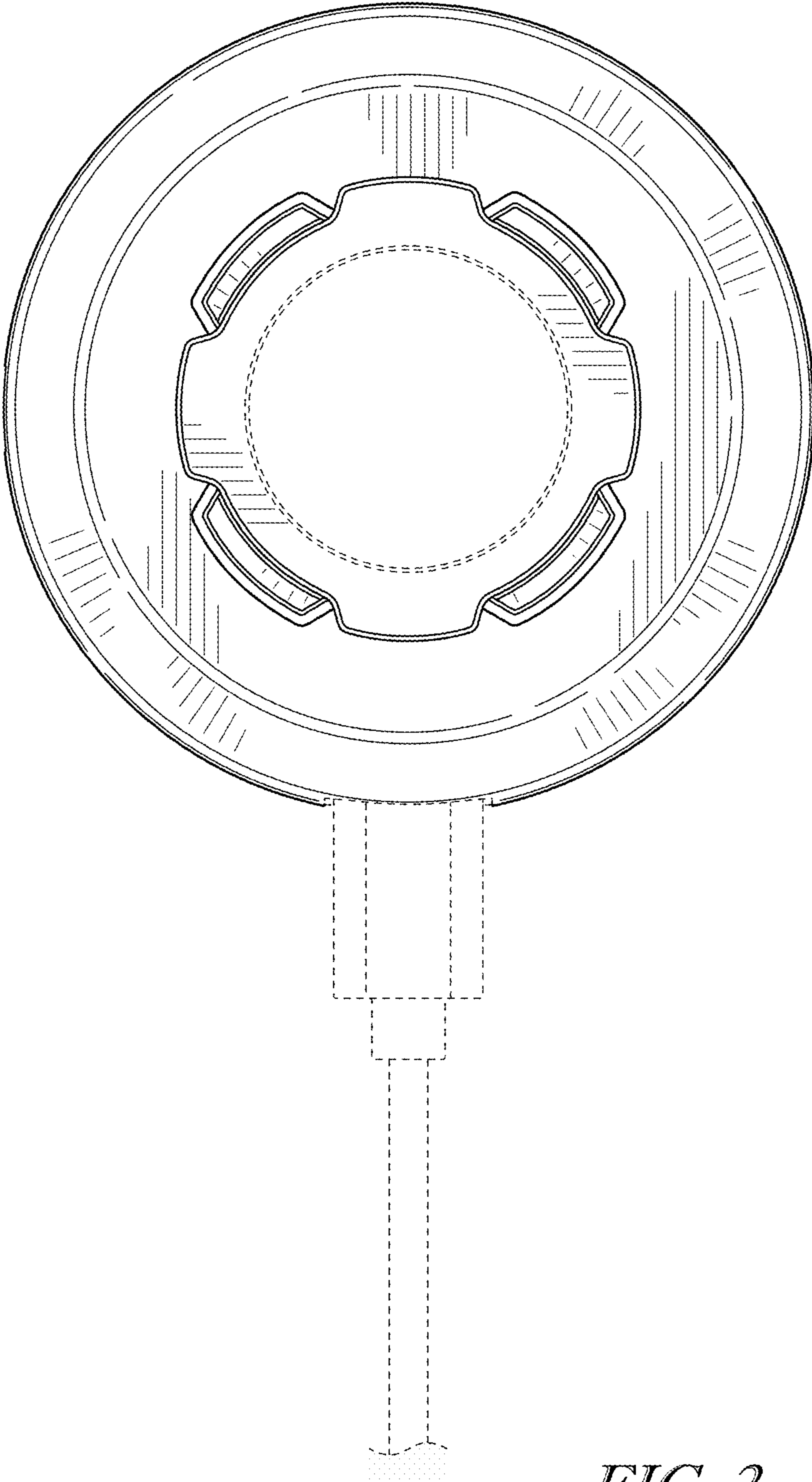
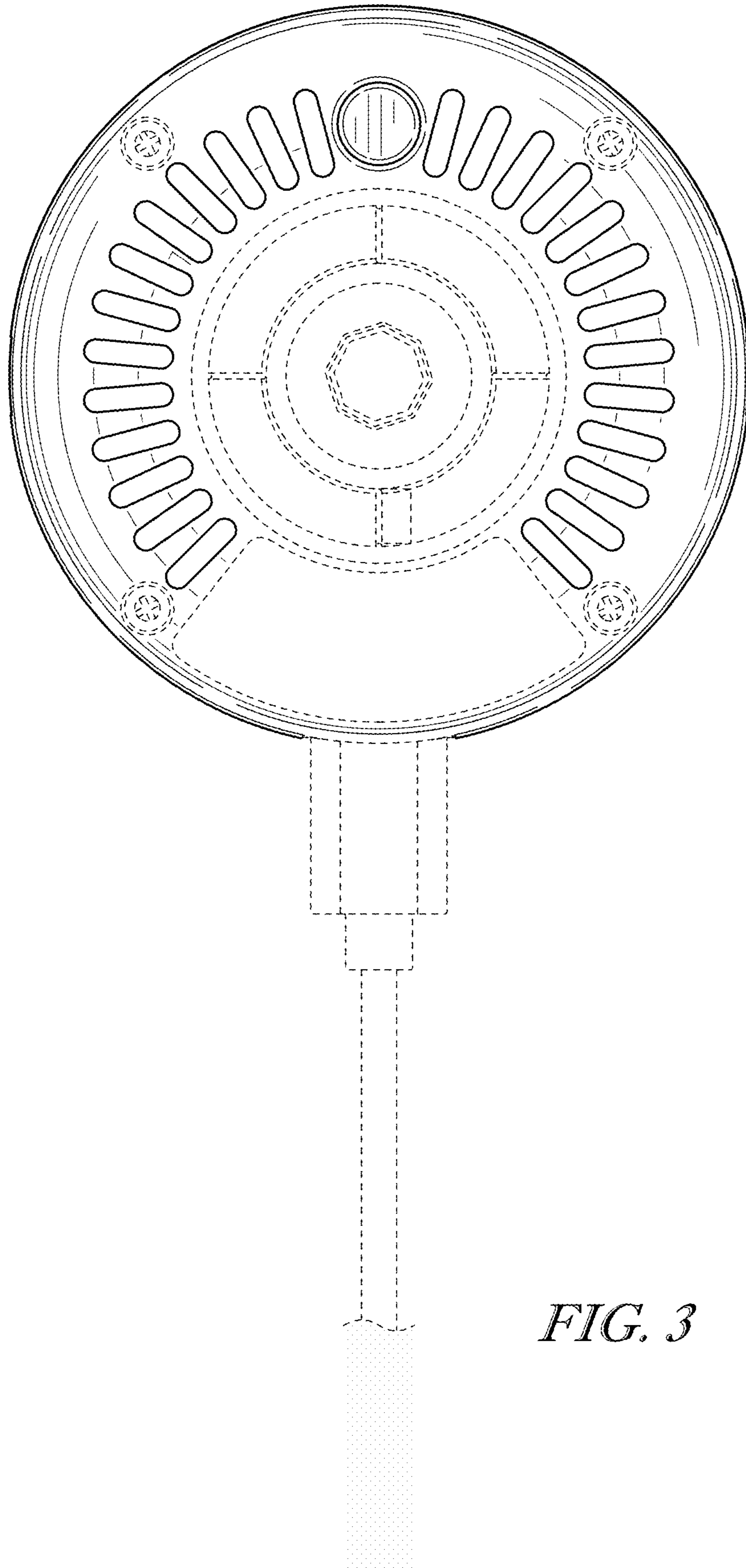
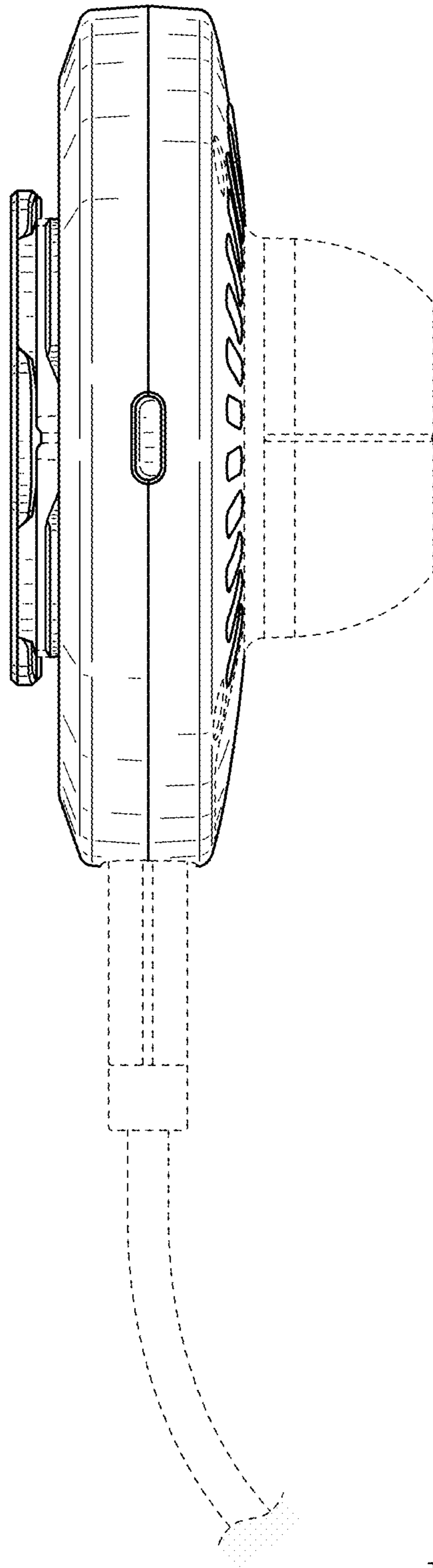


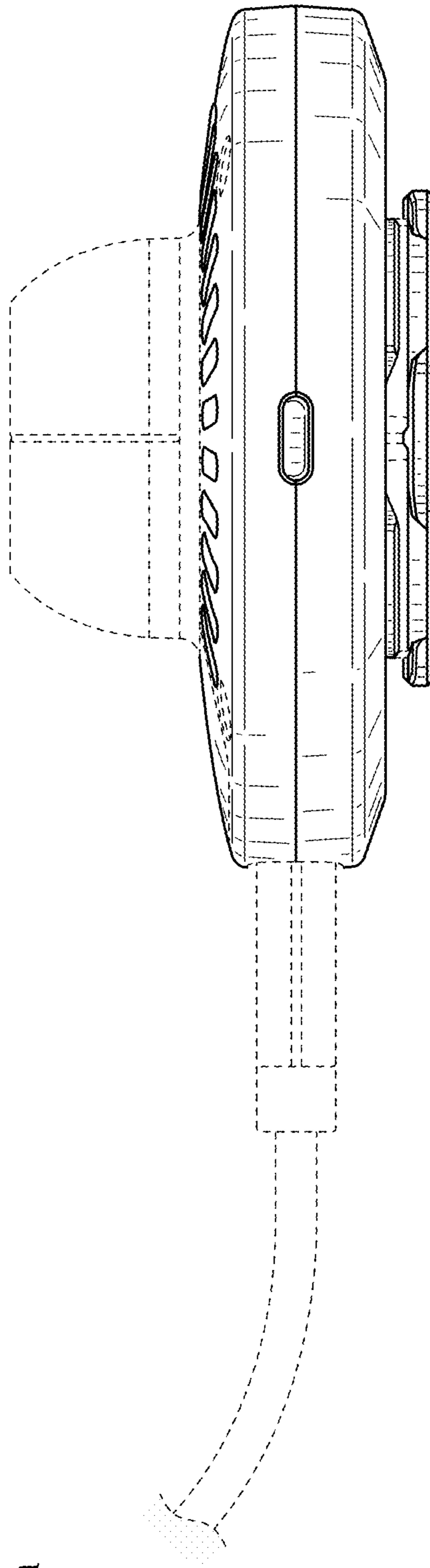
FIG. 2



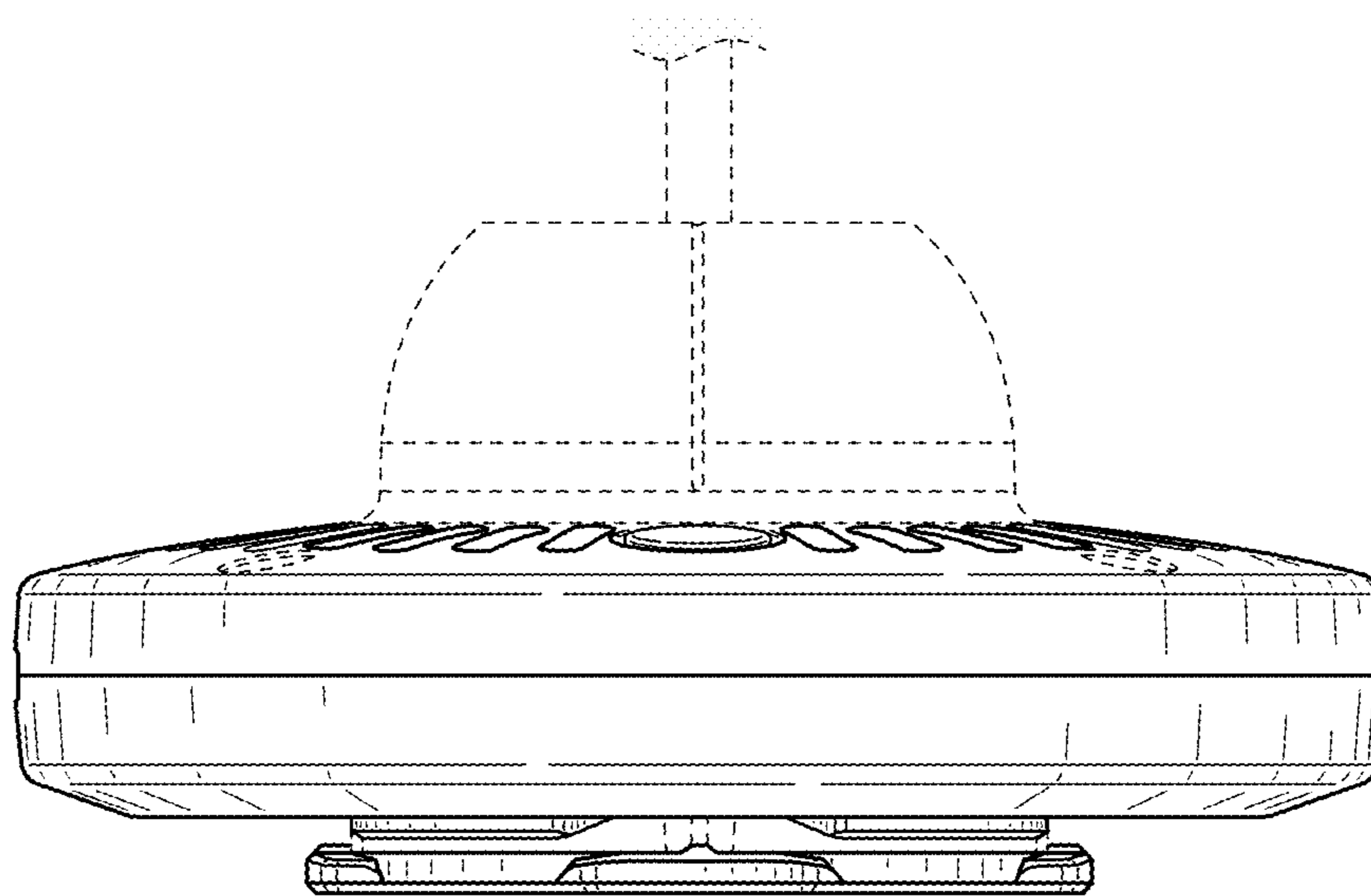
*FIG. 3*



*FIG. 4*

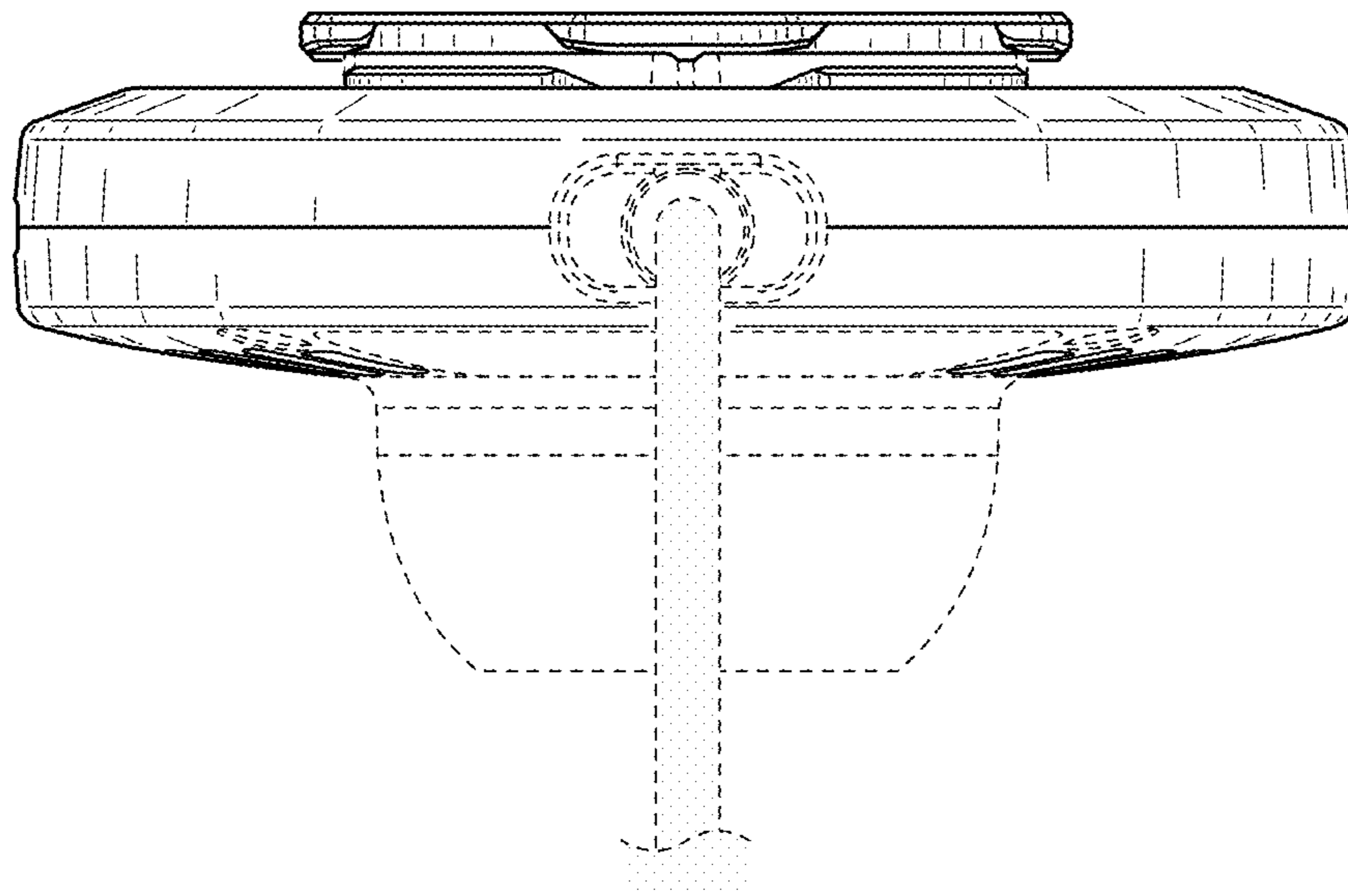


*FIG. 5*



*FIG. 6*





*FIG. 7*