



US00D883921S

(12) **United States Design Patent**
Ryu et al.

(10) **Patent No.:** **US D883,921 S**

(45) **Date of Patent:** **** May 12, 2020**

(54) **WIRELESS CHARGER FOR MOBILE DEVICE**

(71) Applicant: **LG INNOTEK CO., LTD.**, Seoul (KR)

(72) Inventors: **Seunghwan Ryu**, Seoul (KR); **Jinho Kim**, Seoul (KR)

(73) Assignee: **LG INNOTEK CO., LTD.**, Seoul (KR)

(**) Term: **15 Years**

(21) Appl. No.: **29/648,166**

(22) Filed: **May 18, 2018**

(30) **Foreign Application Priority Data**

Dec. 11, 2017 (KR) 30-2017-0058518

(51) **LOC (12) Cl.** **13-02**

(52) **U.S. Cl.**
USPC **D13/108**

(58) **Field of Classification Search**
USPC D13/107-110, 118-119, 184; D14/251, D14/253, 432, 434
CPC Y02E 60/12; Y02T 90/14; Y02T 90/122; Y02T 90/128; Y02T 90/163; H02J 7/025; H02J 7/0042; H02J 7/0044; H02J 7/0045; H02J 7/0003; H01F 38/14; H01R 13/6675; H01M 2/1022; H01M 2/1055; H01M 10/44; H01M 10/46; H01M 10/425; B60L 11/182
See application file for complete search history.

(56) **References Cited**

U.S. PATENT DOCUMENTS

D526,973 S * 8/2006 Gates D13/168
D611,408 S * 3/2010 Ferber D13/108
D637,951 S * 5/2011 Perez D13/108

D672,715 S * 12/2012 Brunner D13/110
D705,160 S * 5/2014 Ormesher D13/108
D707,627 S * 6/2014 Brunner D13/110
D722,023 S * 2/2015 Brunner D13/110
D722,962 S * 2/2015 Kim D13/108
D723,459 S * 3/2015 Dang D13/108
D736,706 S * 8/2015 Huang D13/108
D743,334 S * 11/2015 Peek D13/108
D749,504 S * 2/2016 Jeong D13/108
D754,599 S * 4/2016 Yang D13/108
D772,813 S * 11/2016 Wahl D13/108
D782,415 S * 3/2017 Zhang D13/108
D784,259 S * 4/2017 Huang D13/108
D786,791 S * 5/2017 Jeong D13/108
D788,700 S * 6/2017 Yang D13/108
D794,557 S * 8/2017 Kim D13/108
D797,042 S * 9/2017 Miller D13/107
D810,015 S * 2/2018 Carreon D13/108
D812,556 S * 3/2018 Xu D13/103

(Continued)

Primary Examiner — Rosemary K Tarcza

(74) *Attorney, Agent, or Firm* — Saliwanchik, Lloyd & Eisenschenk

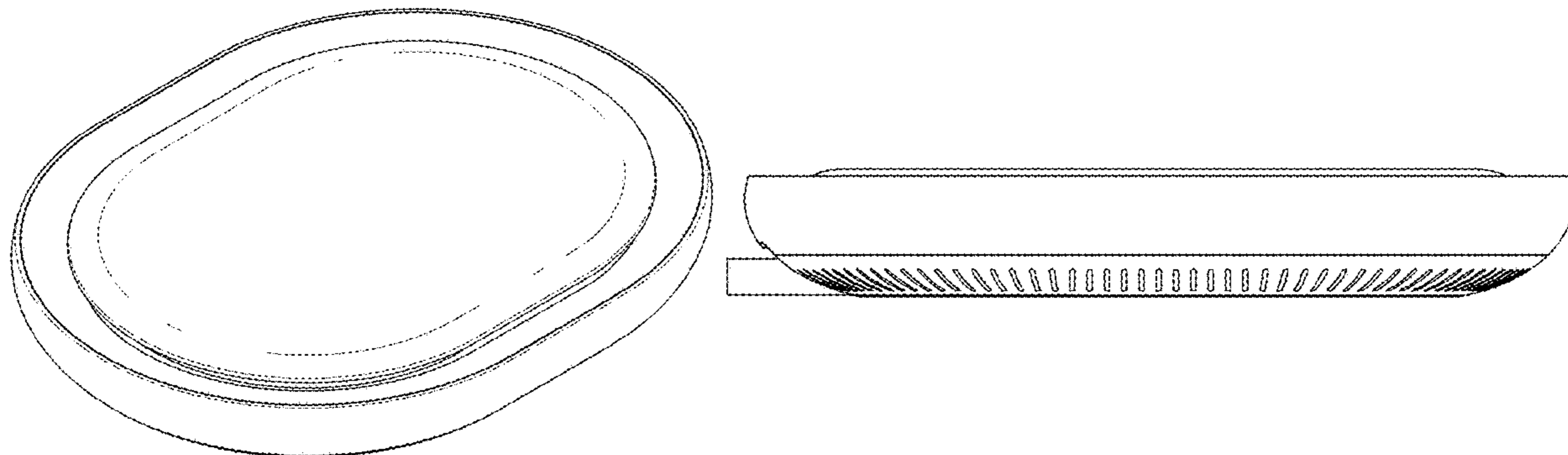
(57) **CLAIM**

The ornamental design for a wireless charger for mobile device, as shown and described.

DESCRIPTION

FIG. 1 is a front, right side, perspective view of a wireless charger for mobile device showing our new design; FIG. 2 is a front view thereof; FIG. 3 is a rear view thereof; FIG. 4 is a left side view thereof; FIG. 5 is a right side view thereof; FIG. 6 is a top view thereof; and, FIG. 7 is a bottom view thereof.
The broken lines depict portions of the wireless charger for mobile device that form no part of the claimed design.

1 Claim, 7 Drawing Sheets



(56)

References Cited

U.S. PATENT DOCUMENTS

D825,549 S *	8/2018	Lebovitz	D14/253
D826,151 S *	8/2018	Akana	D13/108
D845,897 S *	4/2019	Kim	D13/108
D847,741 S *	5/2019	Hu	D13/108
D850,371 S *	6/2019	Yun	D13/108
D856,926 S *	8/2019	Yoon	D13/108
D861,602 S *	10/2019	Feng	D13/108

* cited by examiner

FIG. 1

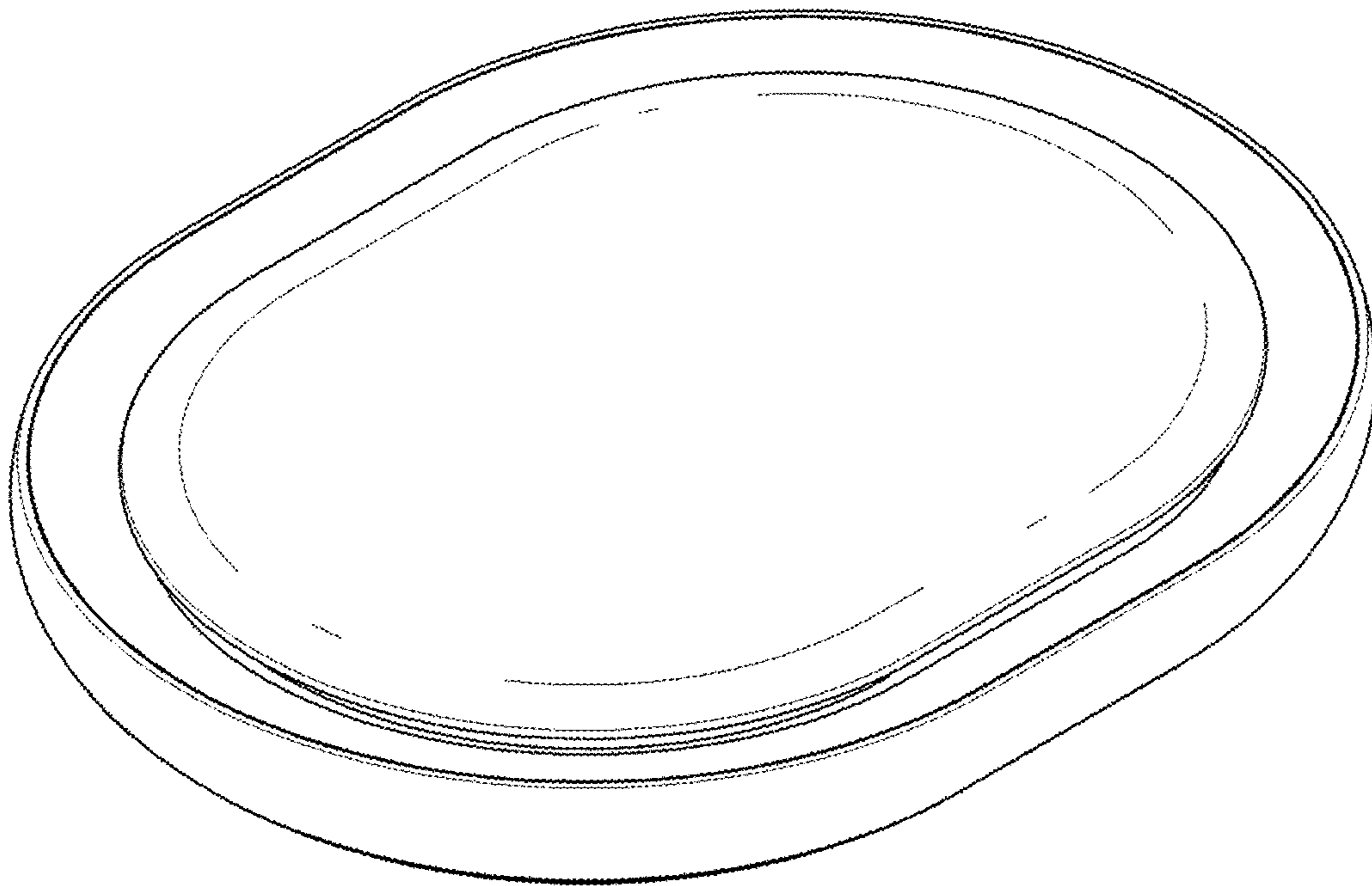


FIG. 2

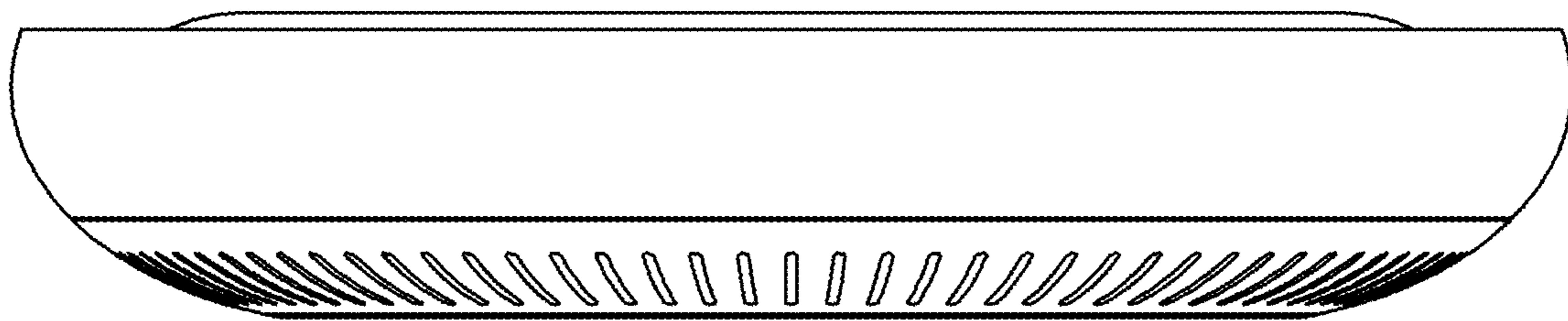


FIG. 3

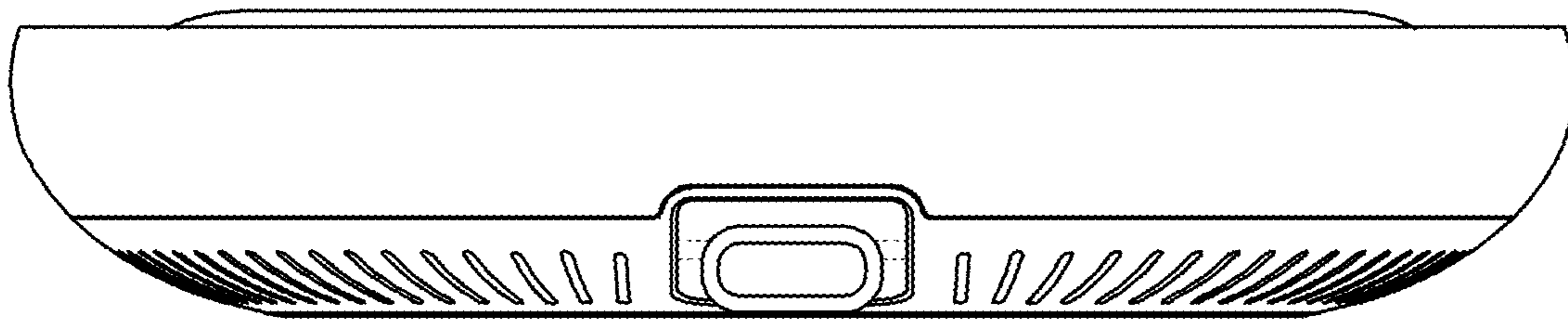


FIG. 4

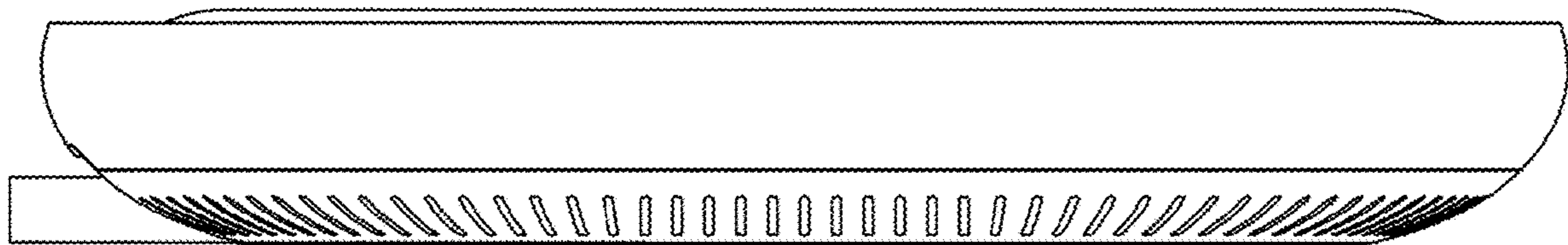


FIG. 5

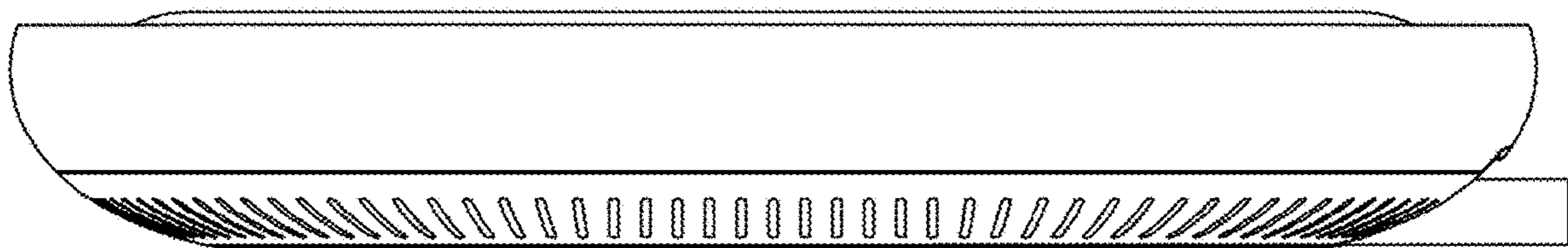


FIG. 6

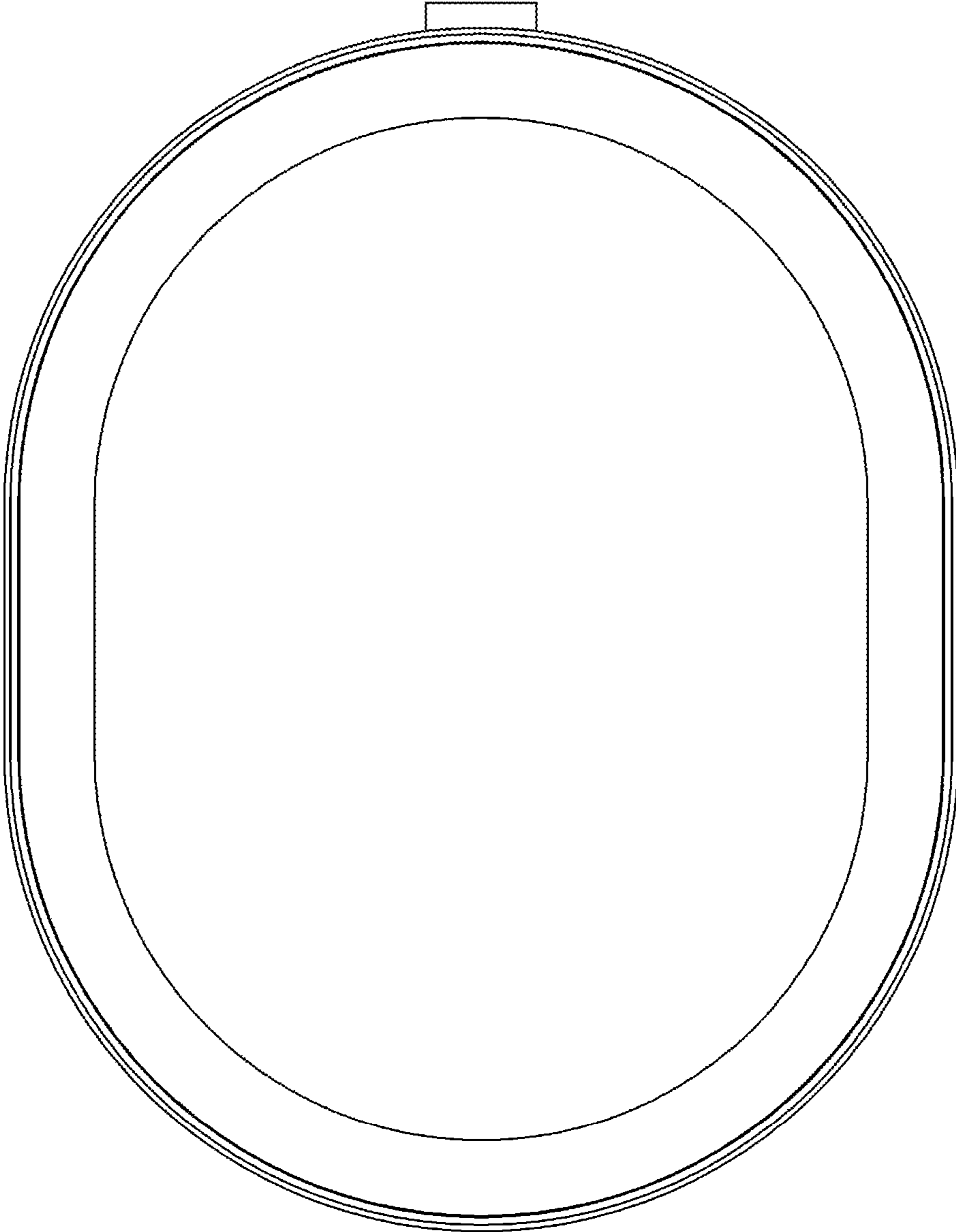


FIG. 7

