



US00D883918S

(12) **United States Design Patent**
Roberts et al.

(10) **Patent No.:** **US D883,918 S**

(45) **Date of Patent:** **** May 12, 2020**

(54) **BATTERY PACK**

D589,441 S * 3/2009 Van Wambeke D13/103
D597,931 S * 8/2009 Aglassinger D13/103
D597,934 S * 8/2009 Aglassinger D13/103

(Continued)

(71) Applicant: **Black & Decker Inc.**, New Britain, CT
(US)

Primary Examiner — Rosemary K Tarcza

(72) Inventors: **Michael W. Roberts**, Red Lion, PA
(US); **Timothy J. Hennesy**, Baltimore,
MD (US); **Abhisheka Moturu**,
Pikesville, MD (US); **David A. Miller**,
Aberdeen, MD (US)

(74) *Attorney, Agent, or Firm* — Michael Aronoff

(57) **CLAIM**

The ornamental design for a battery pack, as shown and
described.

DESCRIPTION

(73) Assignee: **Black & Decker Inc.**, New Britain, CT
(US)

FIG. 1 is a top, rear, right perspective view of a battery pack
showing my new design.

(**) Term: **15 Years**

FIG. 2 is a top, rear, left, perspective view of the battery pack
of FIG. 1.

(21) Appl. No.: **29/643,864**

FIG. 3 is a top, front, left, perspective view of the battery
pack of FIG. 1.

(22) Filed: **Apr. 12, 2018**

FIG. 4 is a top, front, right perspective view of the battery
pack of FIG. 1.

(51) **LOC (12) Cl.** **13-02**

FIG. 5 is a bottom, rear, right perspective view of the battery
pack of FIG. 1.

(52) **U.S. Cl.**
USPC **D13/103**

FIG. 6 is a bottom, rear, left perspective view of the battery
pack of FIG. 1.

(58) **Field of Classification Search**

USPC D13/102–106, 110, 118–121, 184, 199
CPC Y02E 60/12; Y02E 60/122; Y02E 60/124;
Y02E 60/50; H01M 2/02; H01M 2/022;
H01M 2/0202; H01M 2/0207; H01M
2/0212; H01M 2/1061; H01M 2/1022;
H01M 2/1055; H01M 2/1066; H01M
2/105; H01M 2/204; H01M 10/4257;
H01M 10/0436; H01M 10/48

FIG. 7 is a bottom, front, left perspective view of the battery
pack of FIG. 1.

FIG. 8 is a bottom, front, right perspective view of the
battery pack of FIG. 1.

See application file for complete search history.

FIG. 9 is a rear elevation view of the battery pack of FIG.
1.

FIG. 10 is a front elevation view of the battery pack of FIG.
1.

(56) **References Cited**

U.S. PATENT DOCUMENTS

D436,917 S * 1/2001 Hayakawa D13/103
D477,811 S * 7/2003 Niwa D13/103
D481,672 S * 11/2003 Niwa D13/103
D559,175 S * 1/2008 Houghton D13/103

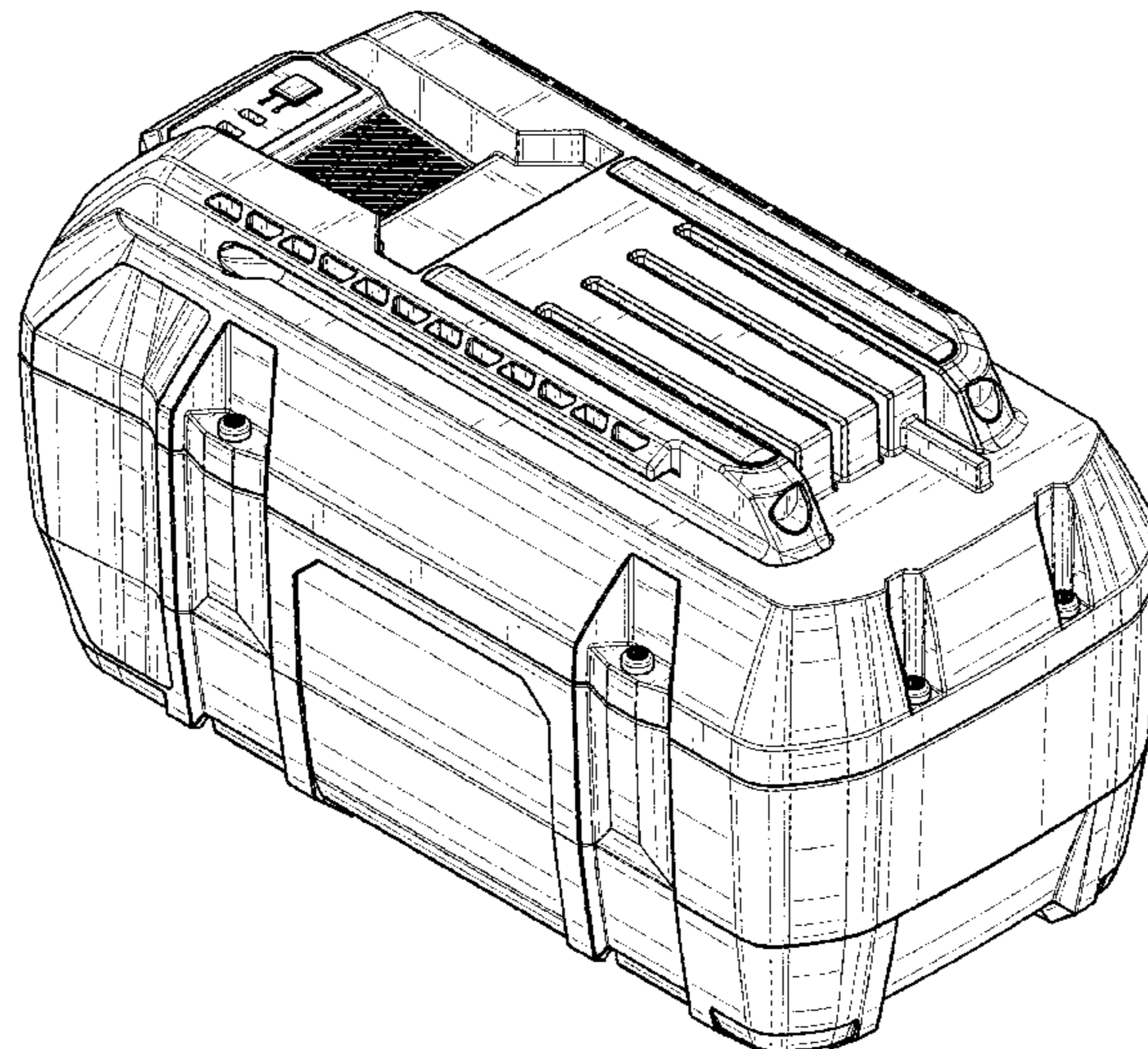
FIG. 11 is a right side elevation view of the battery pack of
FIG. 1.

FIG. 12 is a left side elevation view of the battery pack of
FIG. 1.

FIG. 13 is a top plan view of the battery pack of FIG. 1; and,
FIG. 14 is a bottom plan view of the battery pack of FIG. 1.

The broken lines in the Figures are for illustrative purposes
only and form no part of the claimed design.

1 Claim, 13 Drawing Sheets



(56)

References Cited

U.S. PATENT DOCUMENTS

D598,373	S	*	8/2009	Aglassinger	D13/103
D604,694	S	*	11/2009	Aglassinger	D13/103
D604,695	S	*	11/2009	Aglassinger	D13/103
D606,935	S	*	12/2009	Murayama	D13/103
D622,661	S	*	8/2010	Yamada	D13/103
D640,628	S	*	6/2011	Lopano	D13/103
D640,975	S	*	7/2011	Okuda	D13/103
D643,809	S	*	8/2011	Okuda	D13/103
D657,307	S	*	4/2012	Zhao	D13/103
D658,578	S	*	5/2012	Davis	D13/103
D679,651	S	*	4/2013	Stratford	D13/103
D682,194	S	*	5/2013	Jiang	D13/103
D699,670	S	*	2/2014	Cooper	D13/103
D718,705	S	*	12/2014	Naksen	D13/103
D785,562	S	*	5/2017	Cooper	D13/103
D797,661	S	*	9/2017	Elder	D13/103
D800,650	S	*	10/2017	Itoh	D13/103
D801,919	S	*	11/2017	Elder	D13/103
D812,555	S	*	3/2018	Schoch	D13/103
D819,562	S	*	6/2018	Waldron	D13/103
D826,149	S	*	8/2018	Cooper	D13/103
D826,150	S	*	8/2018	Cayon	D13/103
D844,558	S	*	4/2019	Taniguchi	D13/103

* cited by examiner

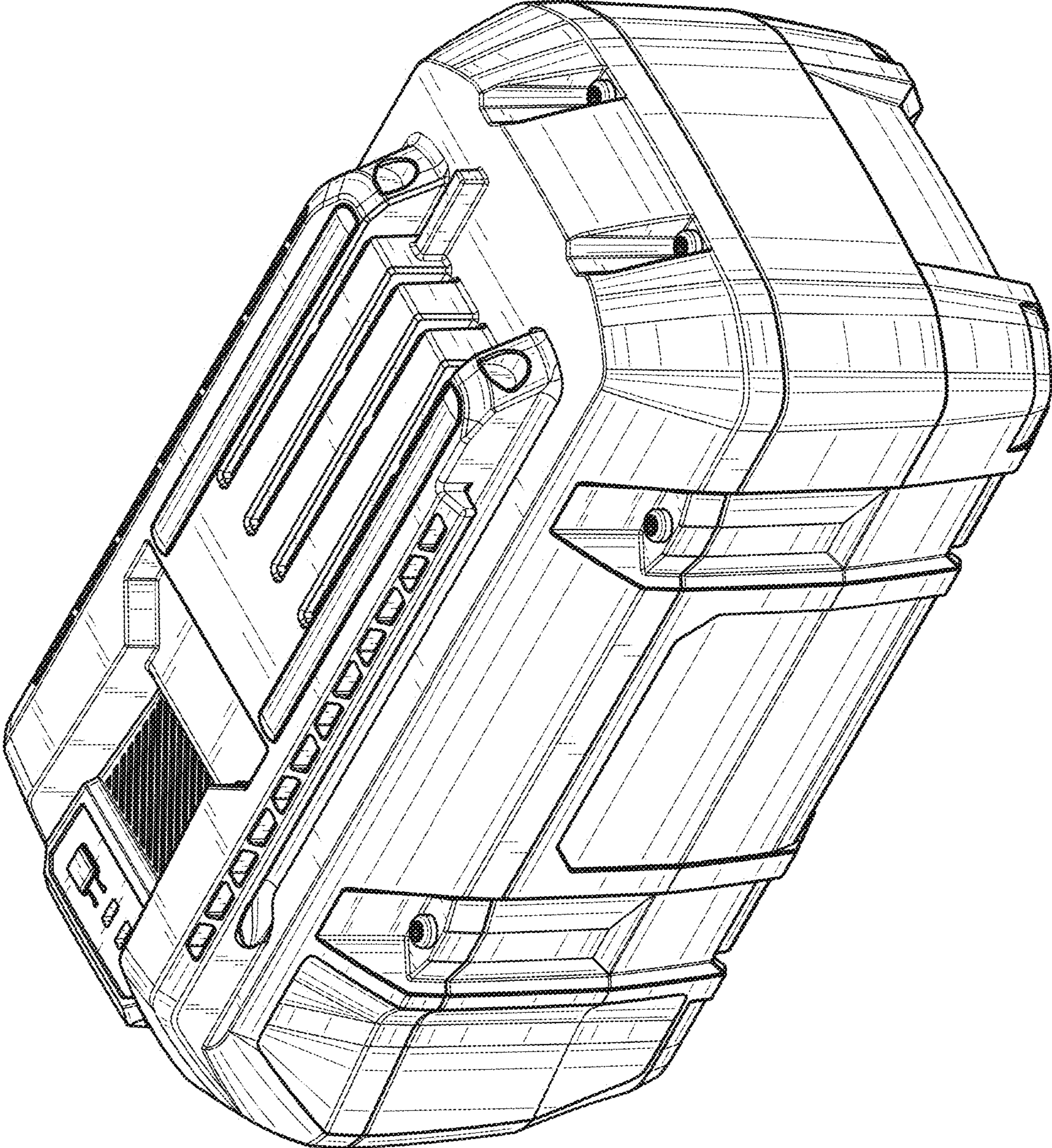


FIG. 1

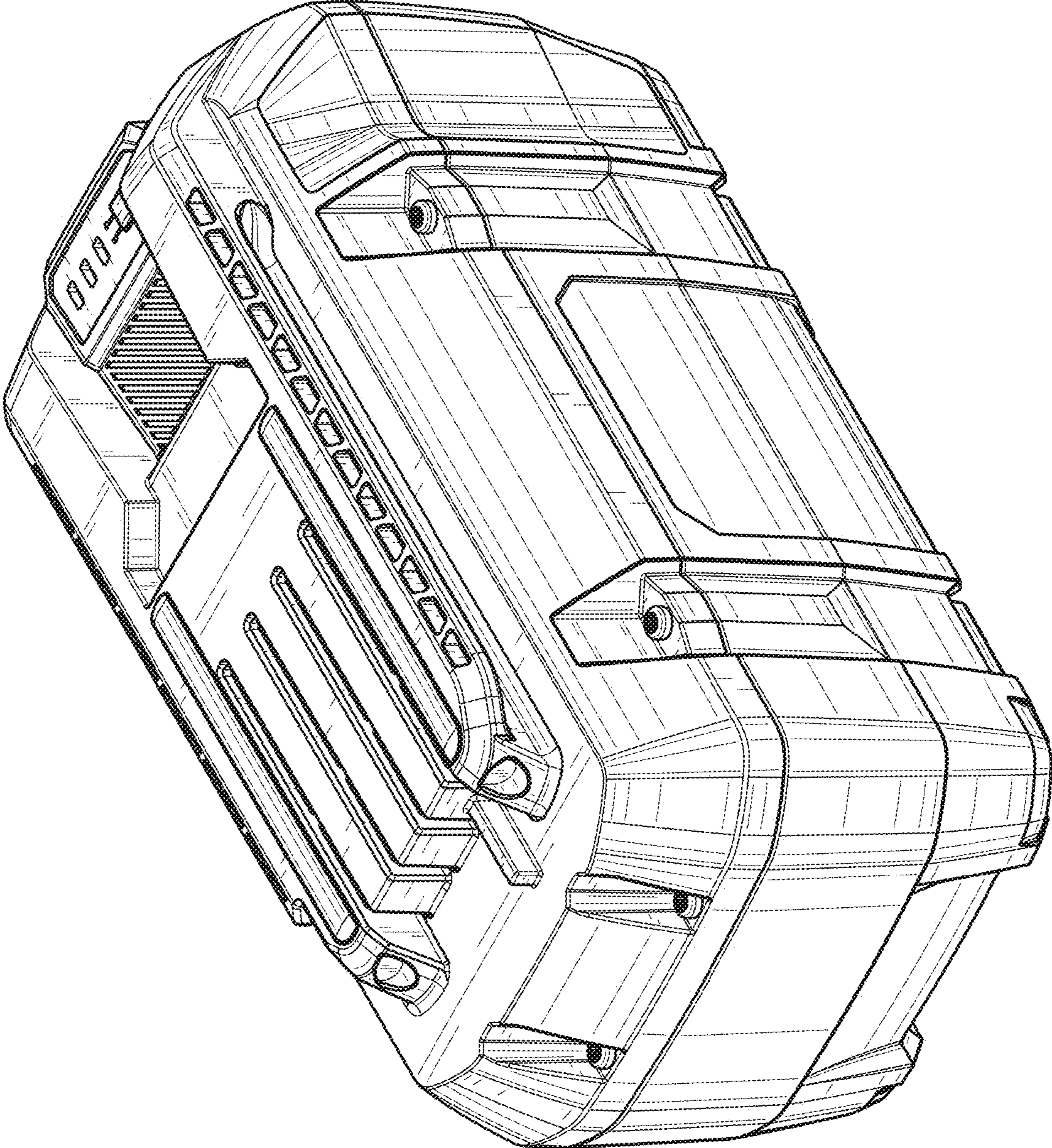


FIG. 2

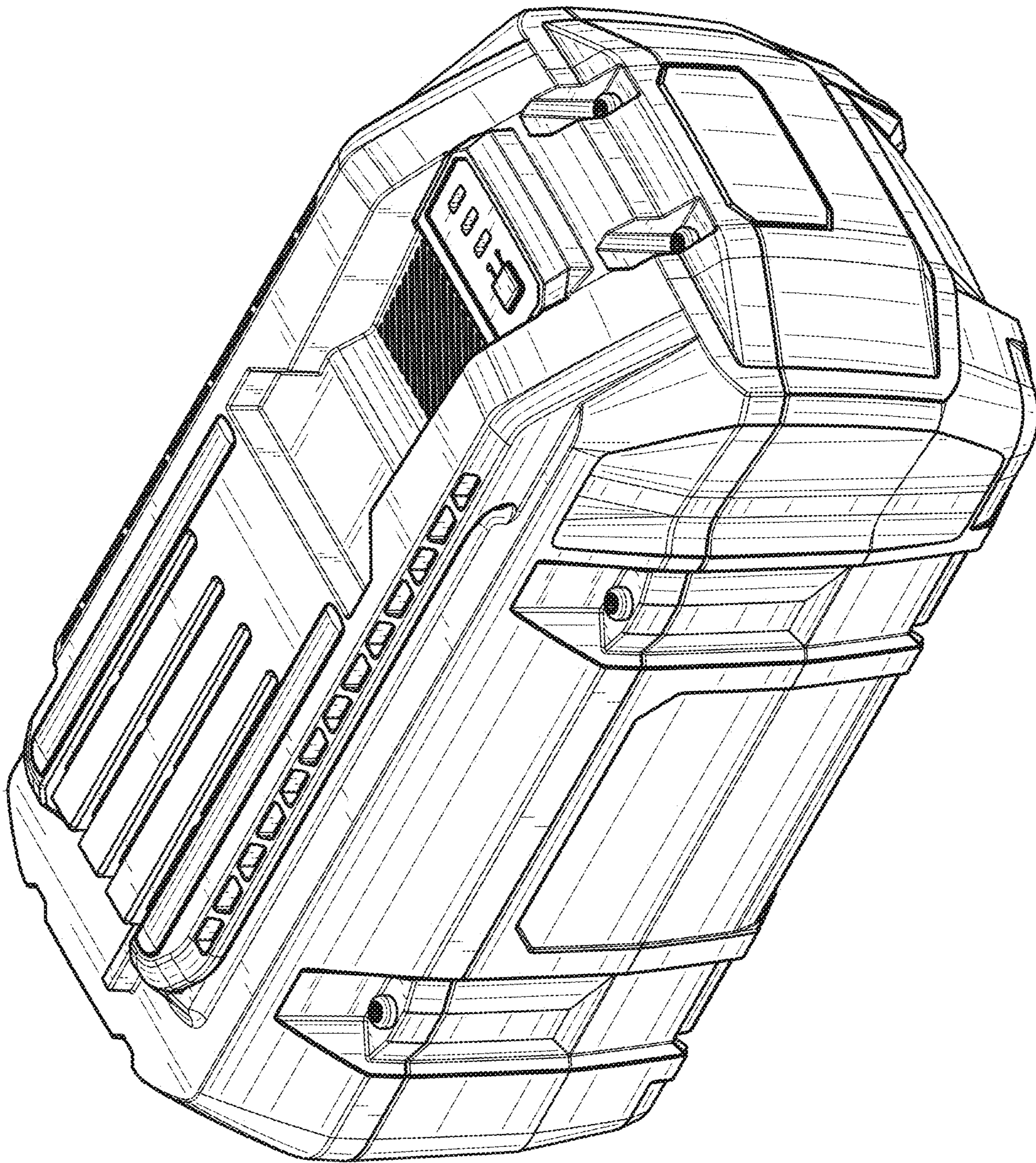


FIG. 3

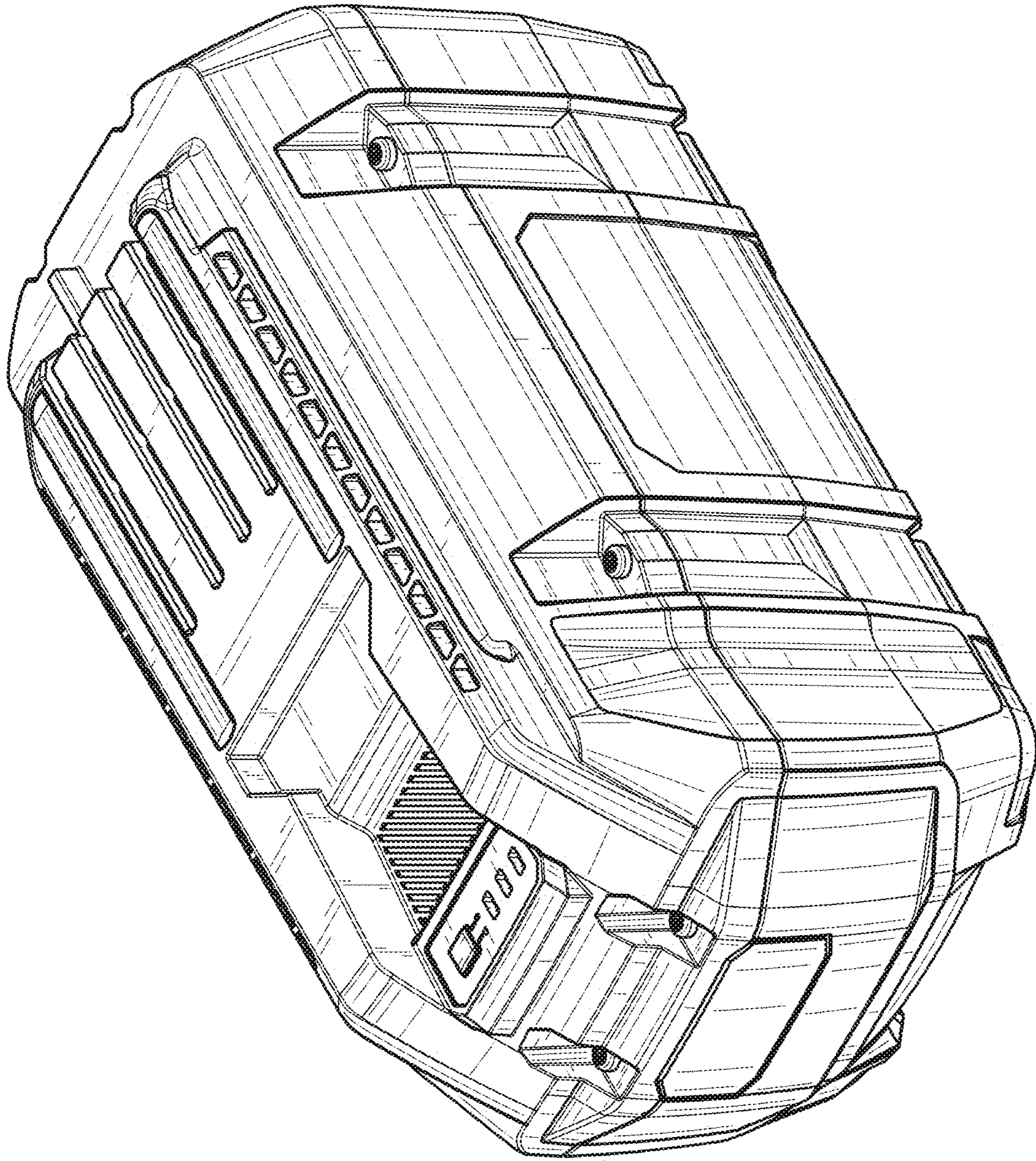


FIG. 4

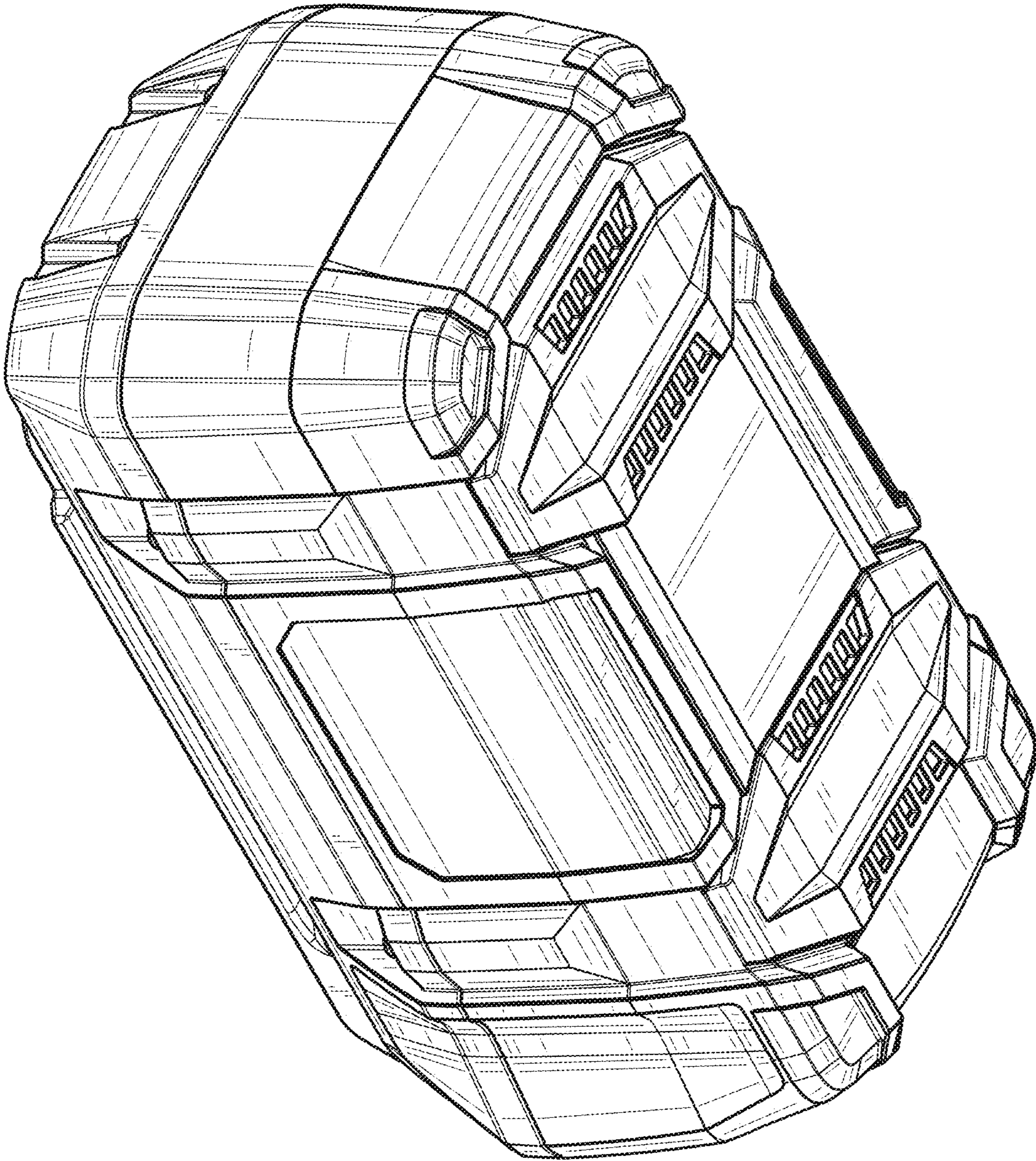


FIG. 5

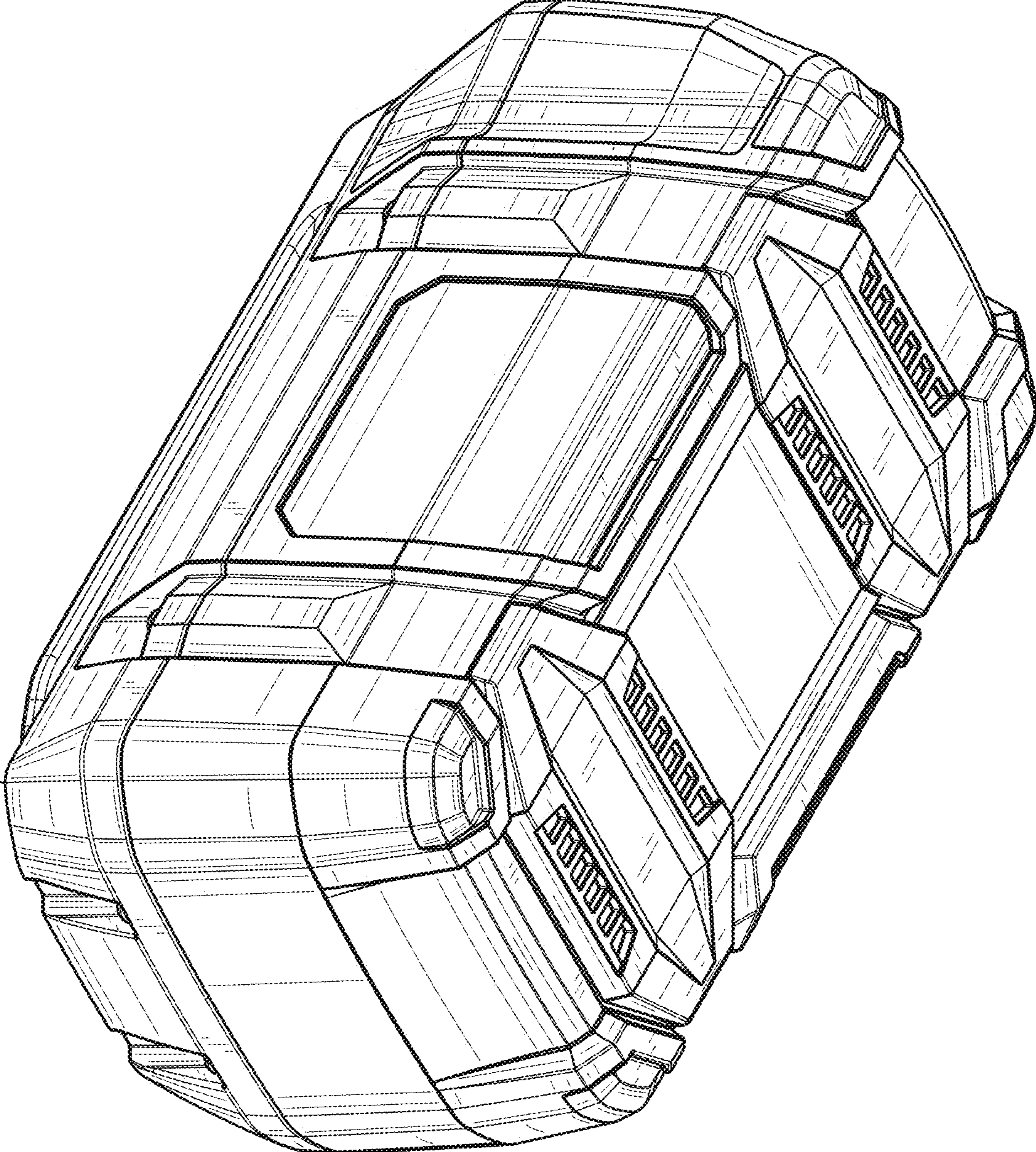


FIG. 6

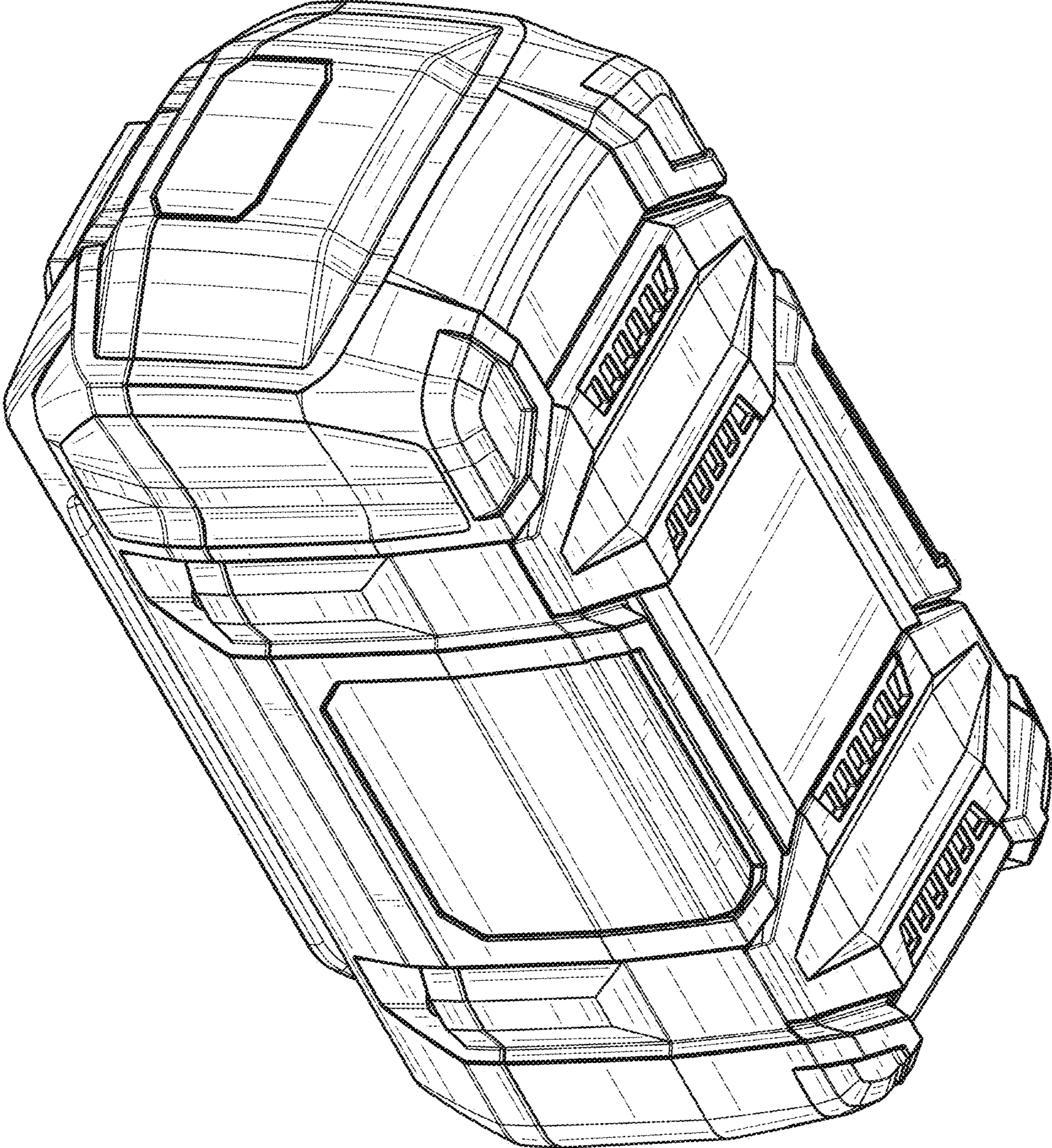


FIG. 7

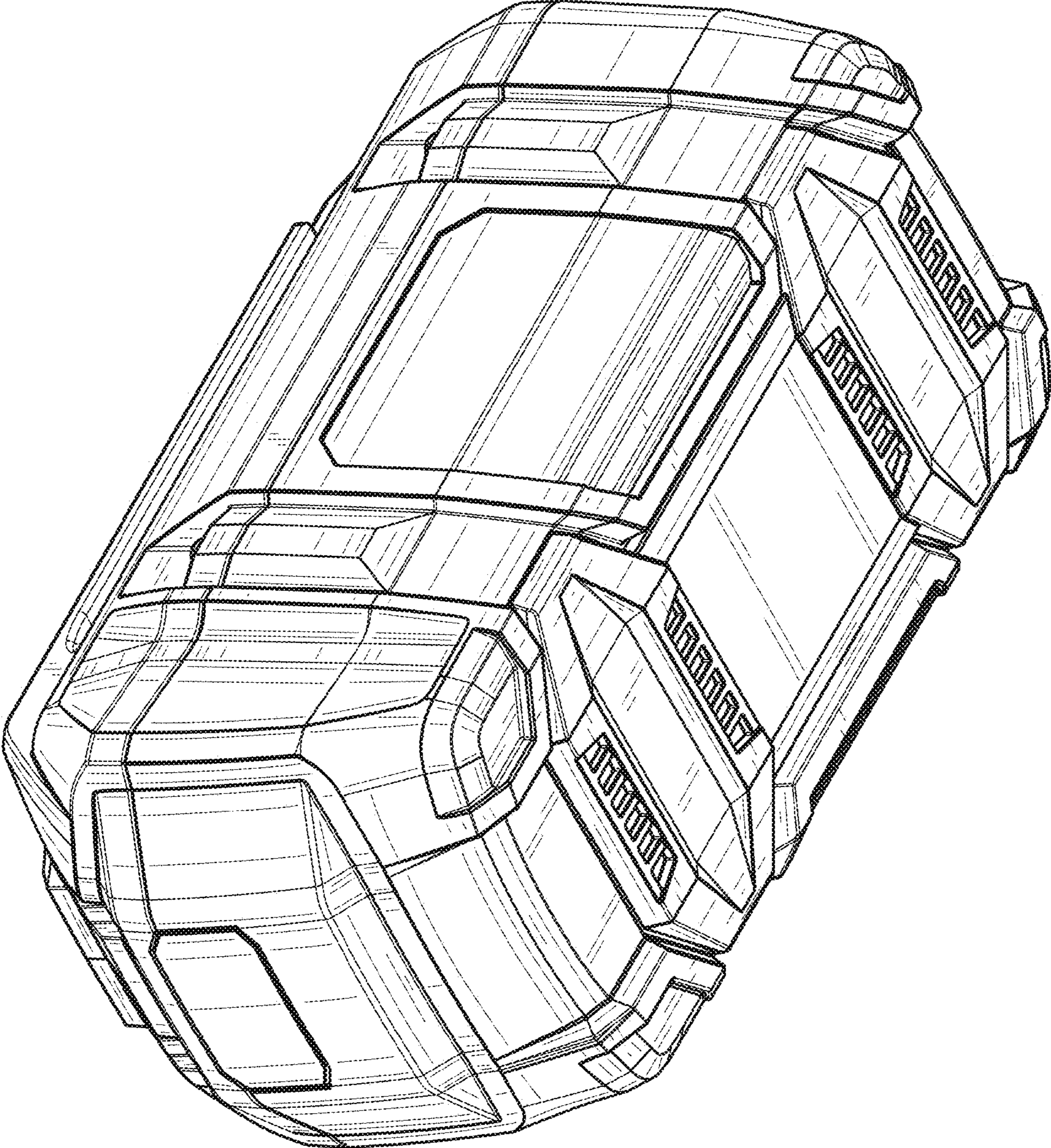


FIG. 8

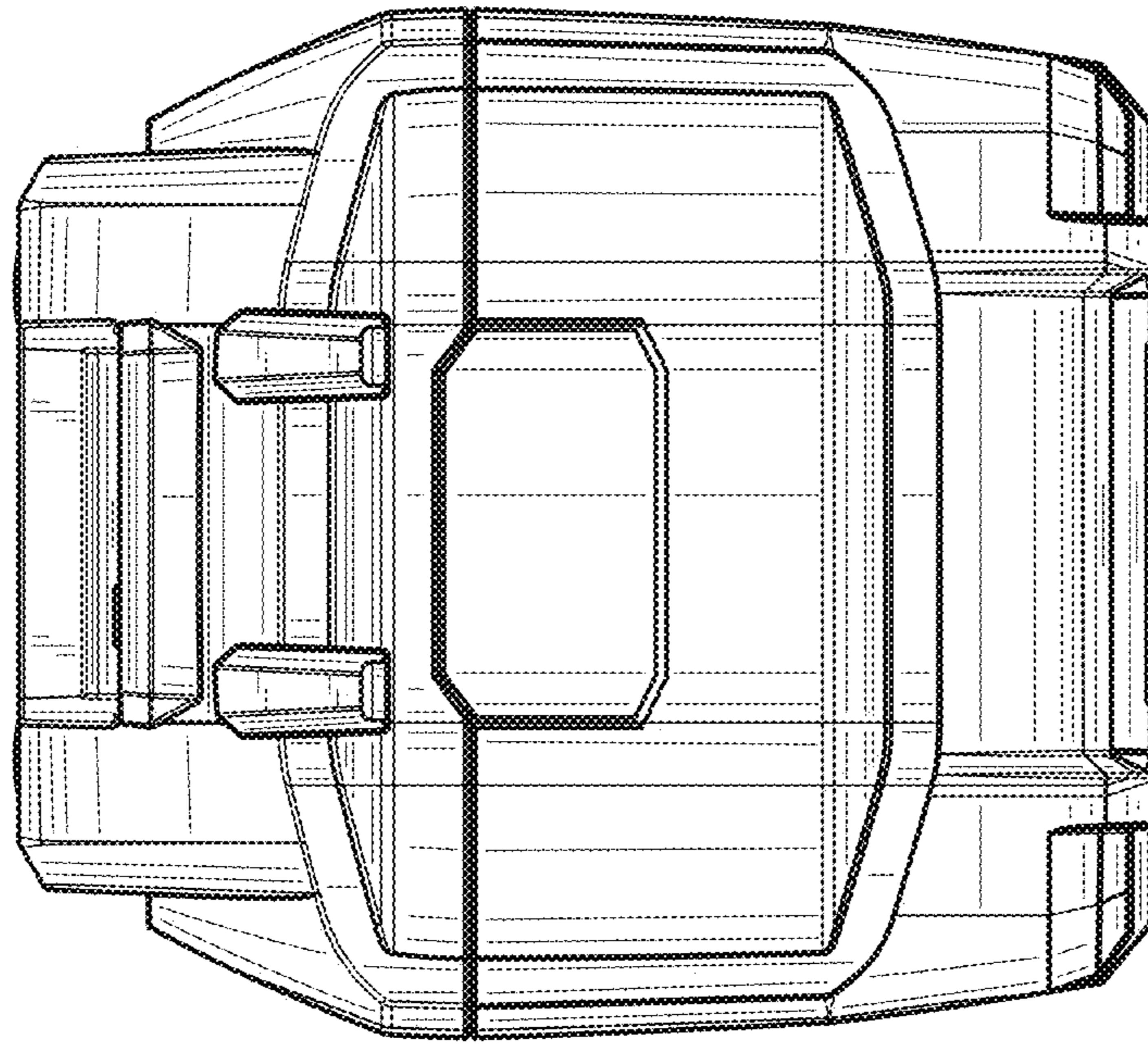


FIG. 10

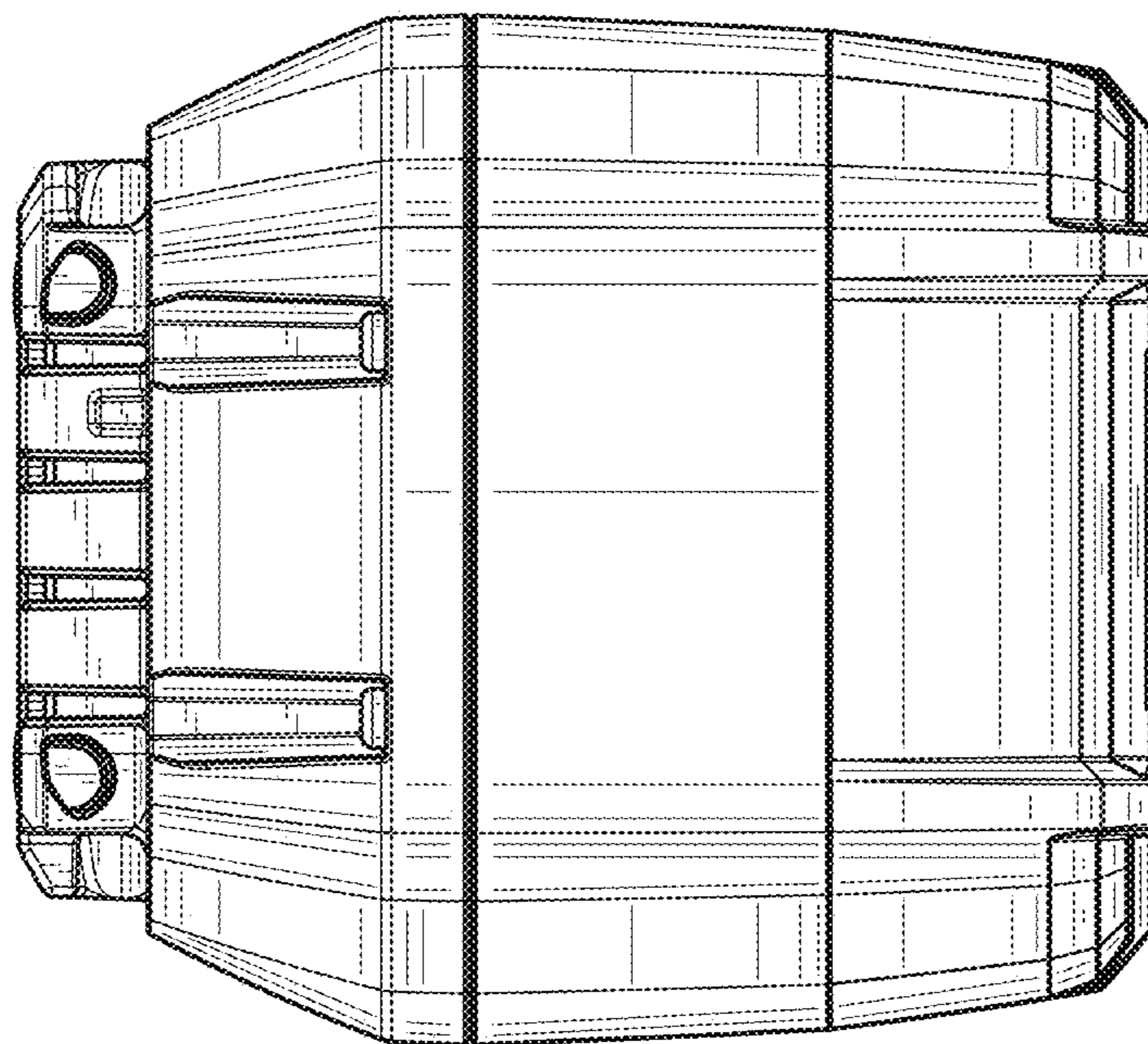


FIG. 9

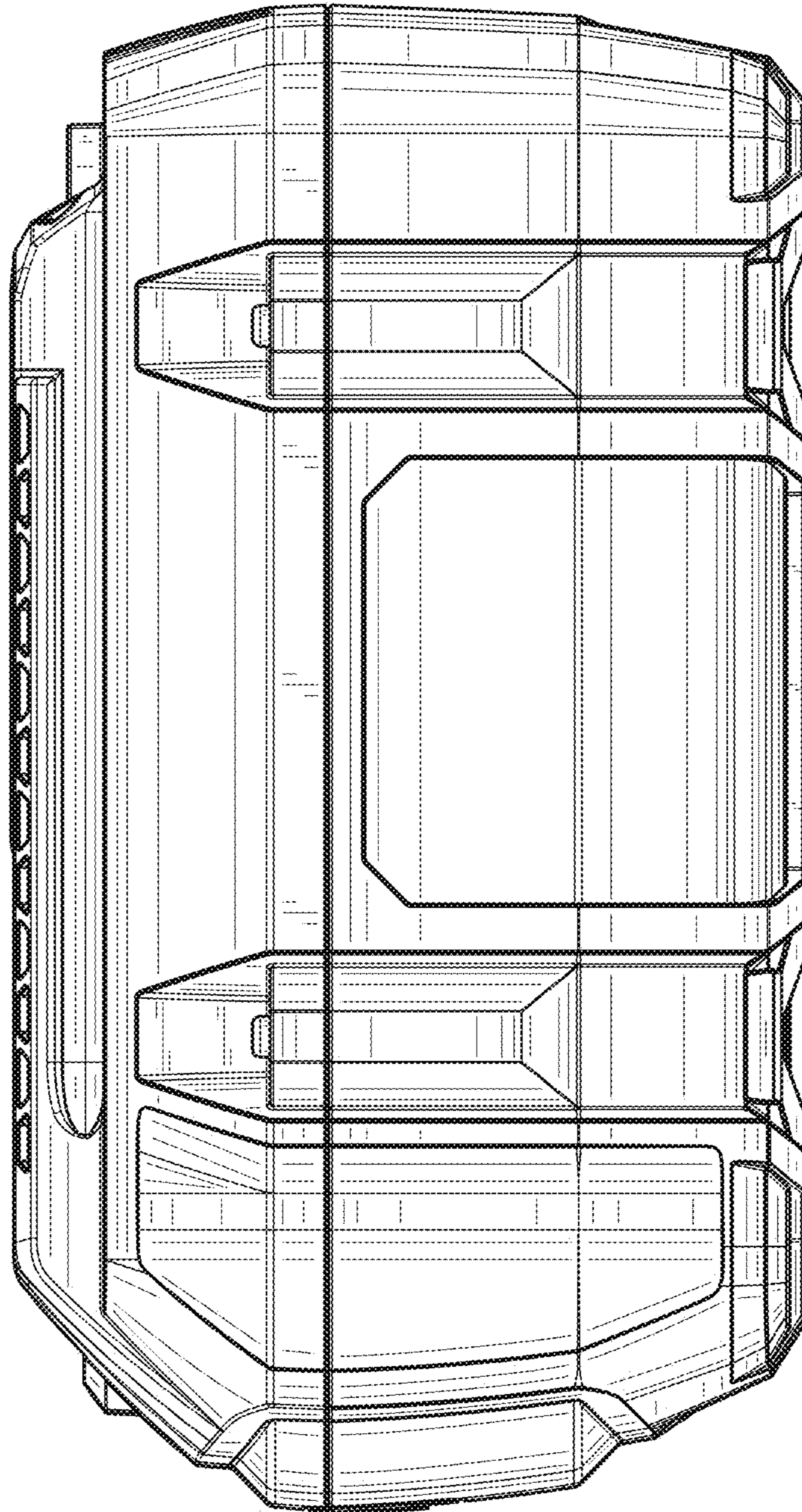


FIG. 11

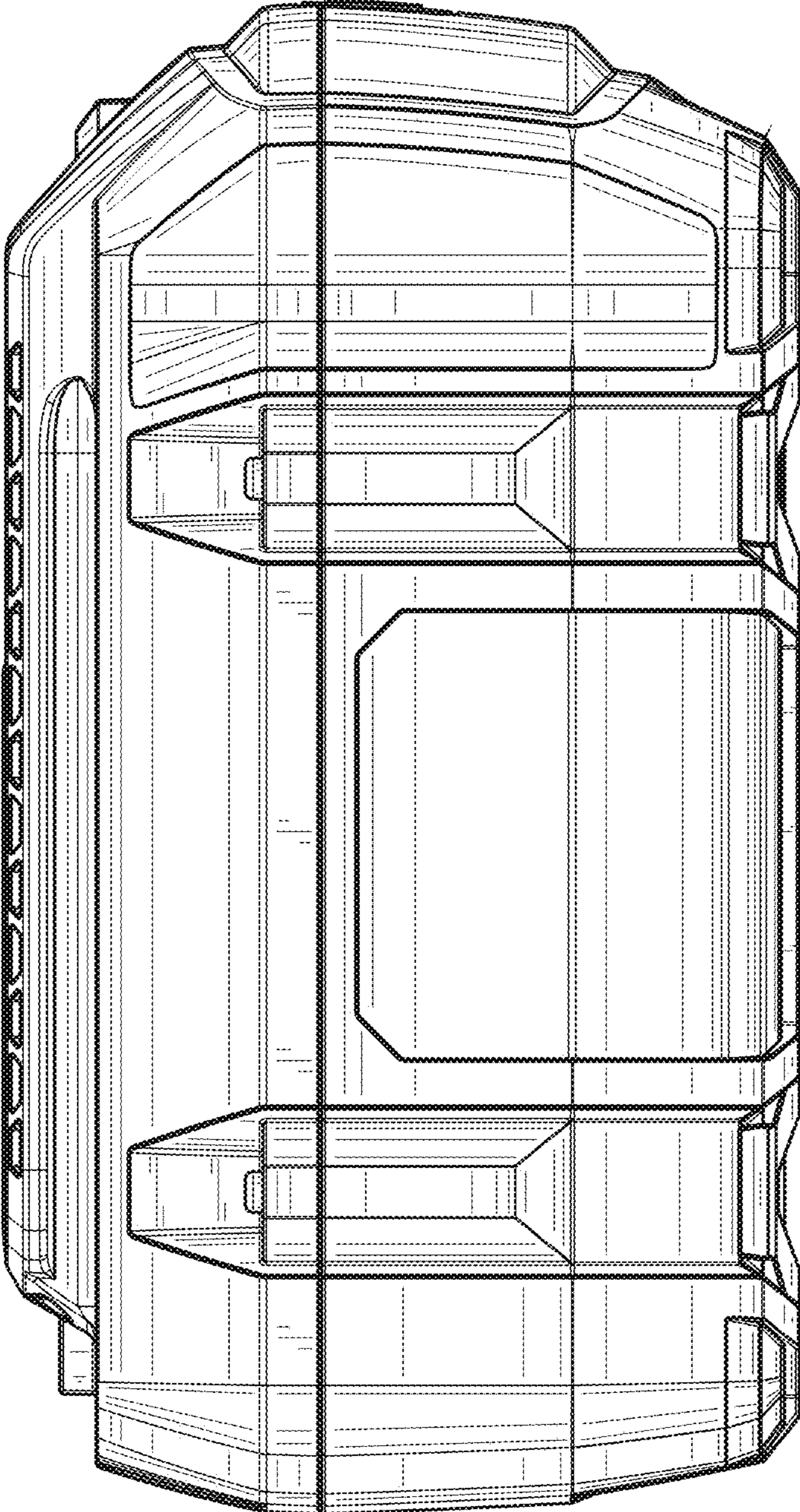


FIG. 12

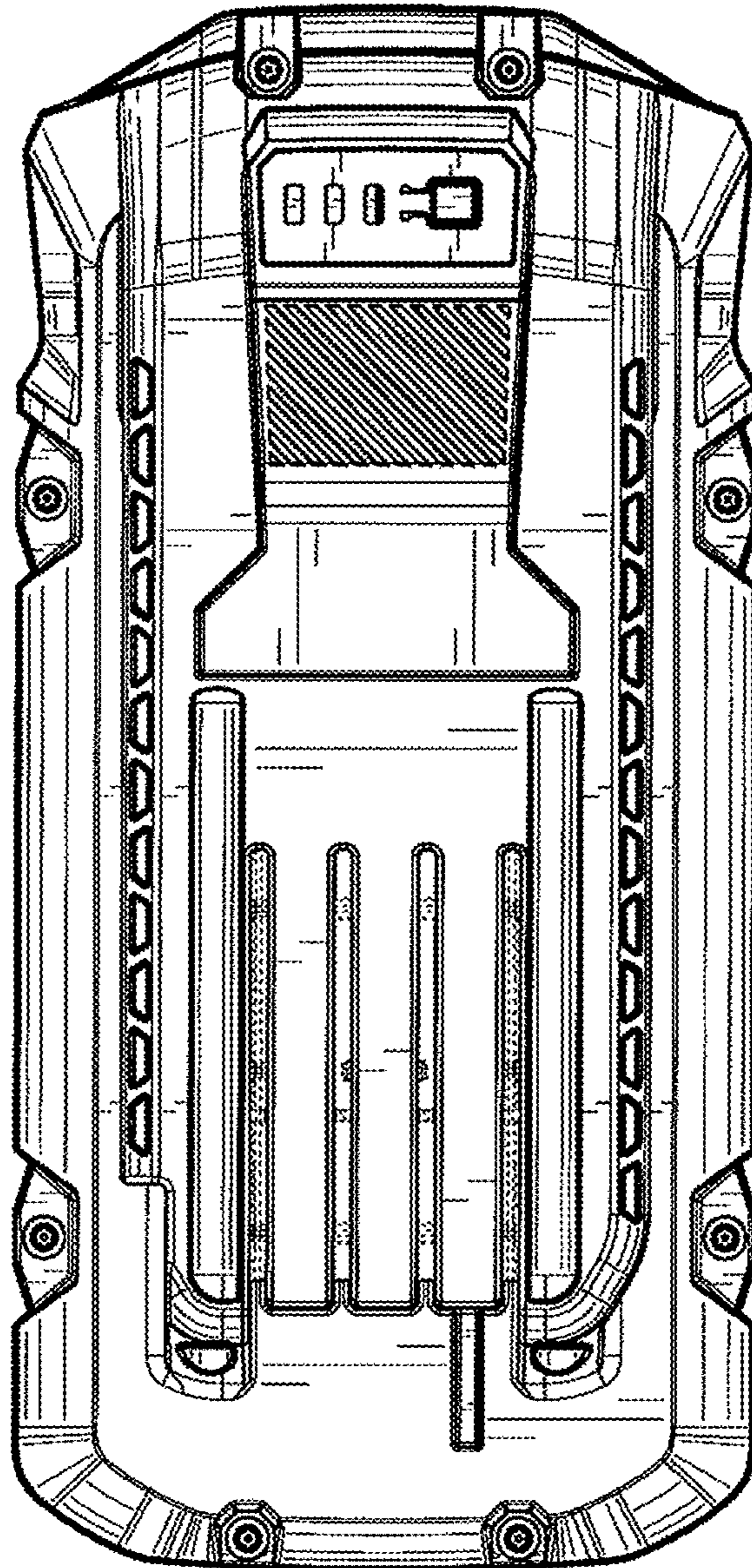


FIG. 13

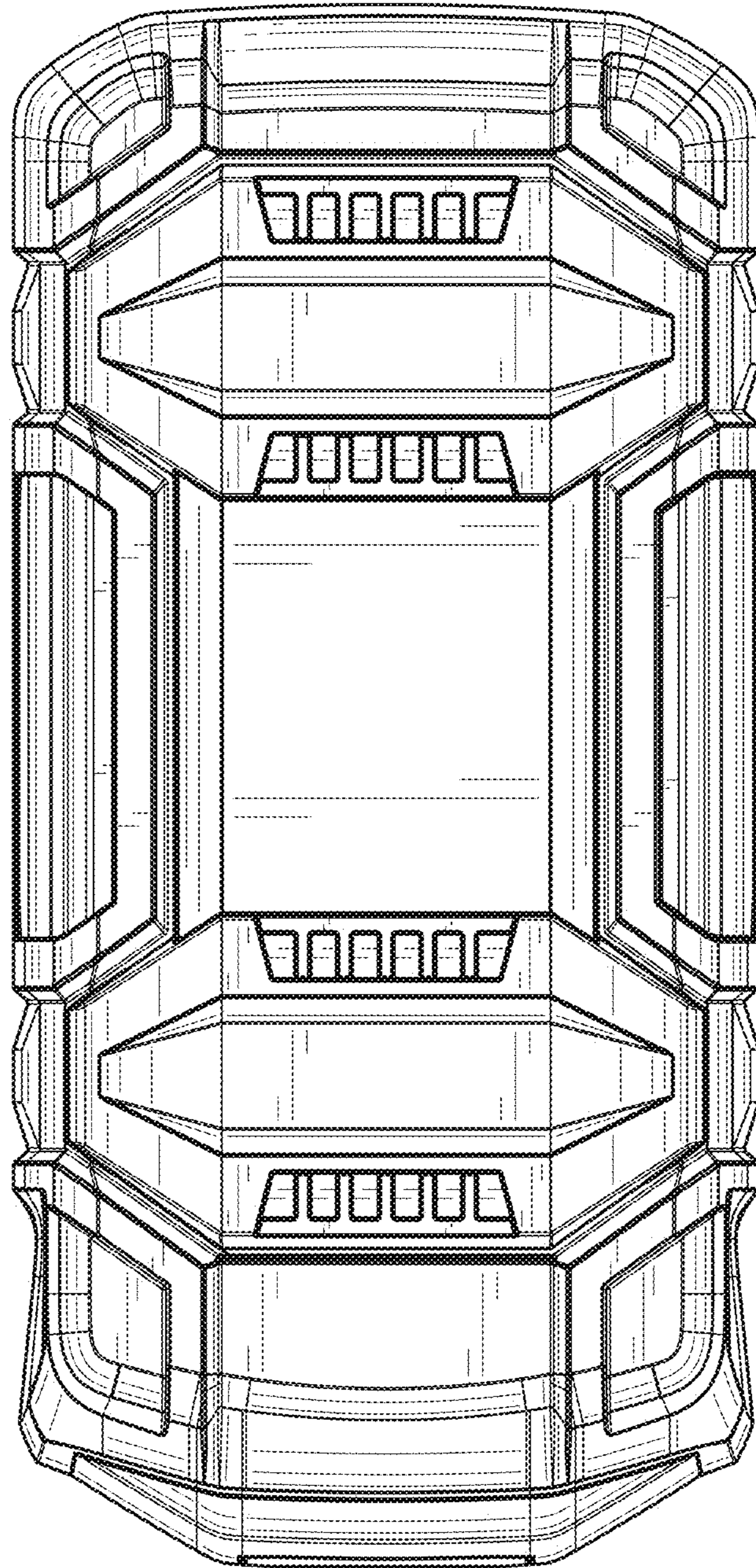


FIG. 14