

US00D883916S

(12) **United States Design Patent**
Kojima et al.

(10) **Patent No.:** **US D883,916 S**

(45) **Date of Patent:** **** May 12, 2020**

- (54) **FOLDABLE SOLAR PANEL**
- (71) Applicant: **ZEON CORPORATION**, Chiyoda-ku, Tokyo (JP)
- (72) Inventors: **Kiyoshige Kojima**, Tokyo (JP); **Yuki Hayashi**, Tokyo (JP)
- (73) Assignee: **ZEON CORPORATION**, Chiyoda-ku, Tokyo (JP)

- D663,261 S 7/2012 Cheung
- D663,262 S 7/2012 Cheung
- D731,859 S * 6/2015 Tehensky A47G 23/03
D7/624.1
- D755,118 S 5/2016 Munshi et al.
- D755,119 S 5/2016 Munshi et al.
- D756,907 S * 5/2016 Secard D13/102
- D769,183 S * 10/2016 Kubitz D13/102

(Continued)

- (**) Term: **15 Years**
- (21) Appl. No.: **29/603,983**
- (22) Filed: **May 15, 2017**

- CN 3500998 1/2006
- JP 777573-1 S 12/1989
- JP 1511339 S 11/2014

Primary Examiner — Derrick E Holland
Assistant Examiner — Andrew Kerr
 (74) *Attorney, Agent, or Firm* — Kenja IP Law PC

Related U.S. Application Data

- (62) Division of application No. 29/549,035, filed on Dec. 18, 2015, now Pat. No. Des. 790,452.
- (51) **LOC (12) Cl.** **13-02**
- (52) **U.S. Cl.**
USPC **D13/102**
- (58) **Field of Classification Search**
USPC D13/101, 102, 107, 118, 119; D7/601,
D7/624.1
CPC H01L 31/0224; H01L 31/25; H01L
31/02167; H02S 10/30
See application file for complete search history.

(57) **CLAIM**

The ornamental design for a foldable solar panel, as shown and described.

DESCRIPTION

FIG. 1 is a perspective view of a foldable solar panel showing our new design;
 FIG. 2 is a front view thereof;
 FIG. 3 is a top view thereof;
 FIG. 4 is a right side view thereof;
 FIG. 5 is a left side view thereof;
 FIG. 6 is a rear view thereof;
 FIG. 7 is a bottom view thereof; and,
 FIG. 8 is an enlarged sectional view taken along line 8-8 in FIG. 2.

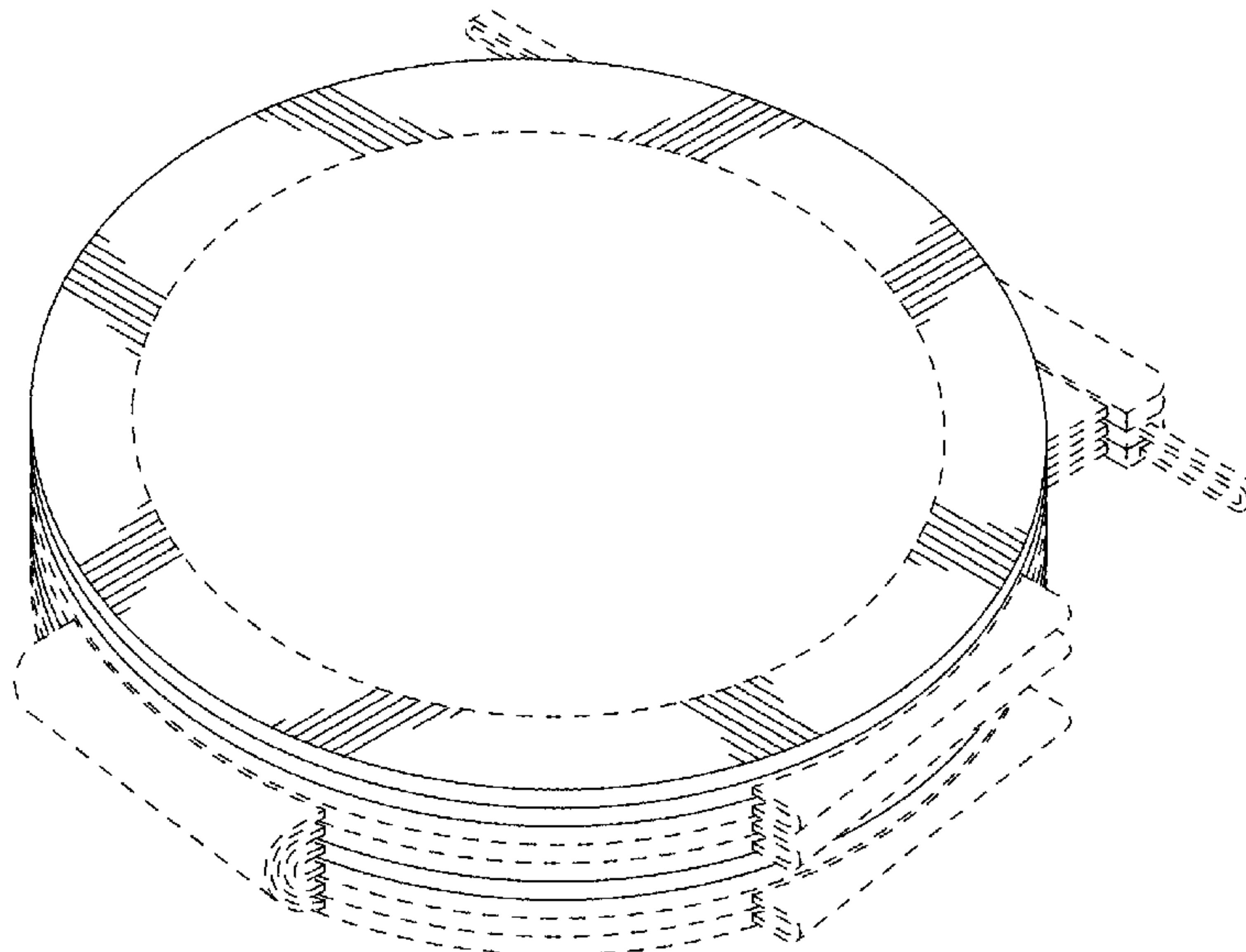
The dash-dash broken lines showing portions of the foldable solar panel are for the purpose of illustrating environmental structure and form no part of the claimed design. The dot-dash broken lines represent the boundary of the claimed design and form no part of the claimed design.

1 Claim, 8 Drawing Sheets

(56) **References Cited**

U.S. PATENT DOCUMENTS

- 5,522,943 A 6/1996 Spencer et al.
- D403,208 S * 12/1998 Tisdale D7/624.1
- D470,179 S * 2/2003 Shamitoff D19/123
- 6,964,401 B1 * 11/2005 Kelley A47G 23/0306
206/232
- D534,488 S * 1/2007 Rosene D13/102
- D579,276 S * 10/2008 Burd D7/624.1
- D625,251 S 10/2010 Workman et al.
- D631,430 S * 1/2011 Miyazaki D13/102



(56)

References Cited

U.S. PATENT DOCUMENTS

| | | | | | | |
|--------------|----|---|---------|--------------|-------|----------|
| D797,657 | S | * | 9/2017 | Lakamp | | D13/102 |
| D806,020 | S | * | 12/2017 | Lu | | D13/107 |
| D821,307 | S | * | 6/2018 | Calachan | | D13/107 |
| D829,512 | S | * | 10/2018 | Masanek, Jr. | | D7/624.1 |
| D832,206 | S | * | 10/2018 | Bevilacqua | | D13/102 |
| 2005/0162121 | A1 | | 7/2005 | Chan | | |

* cited by examiner

FIG. 1

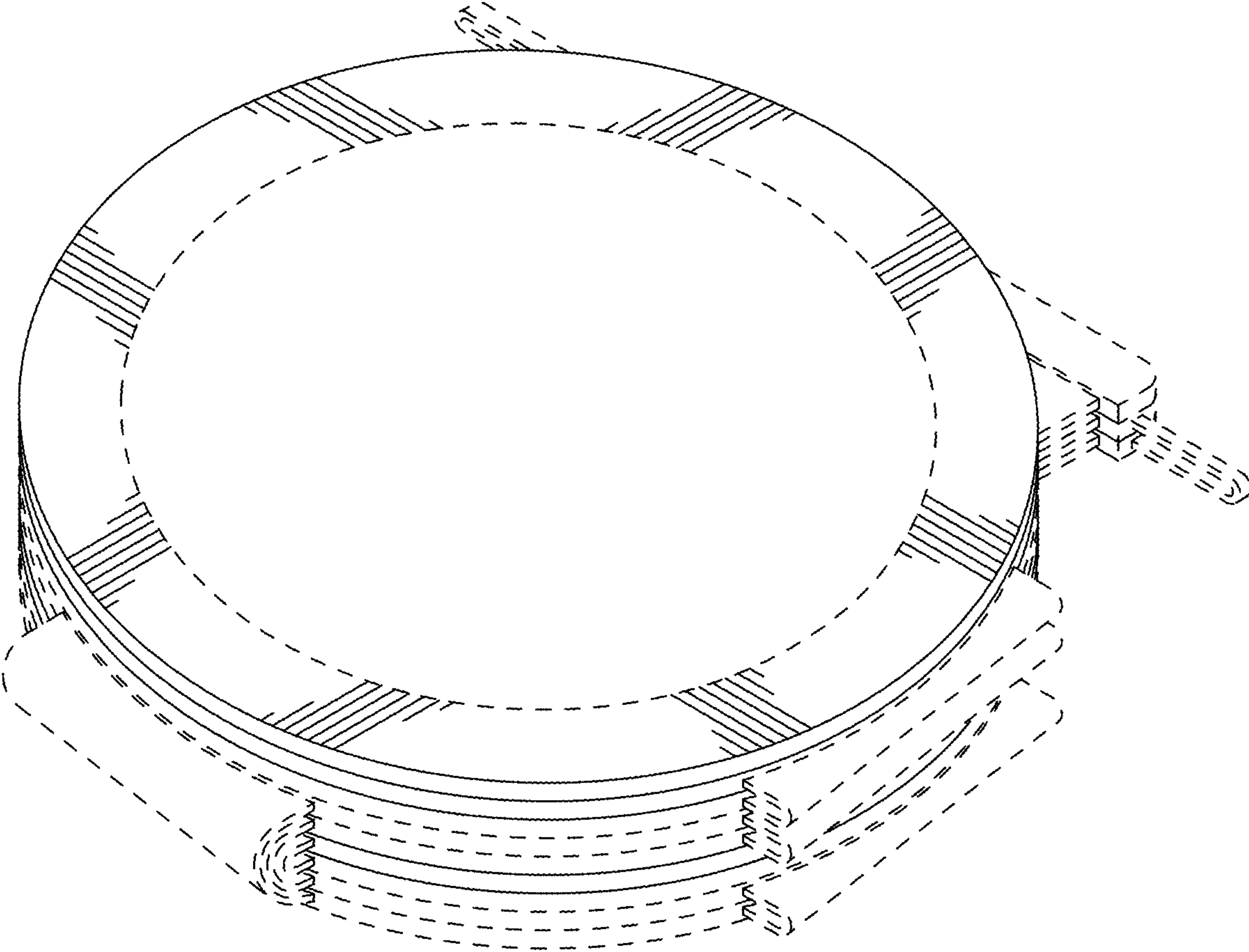


FIG. 2

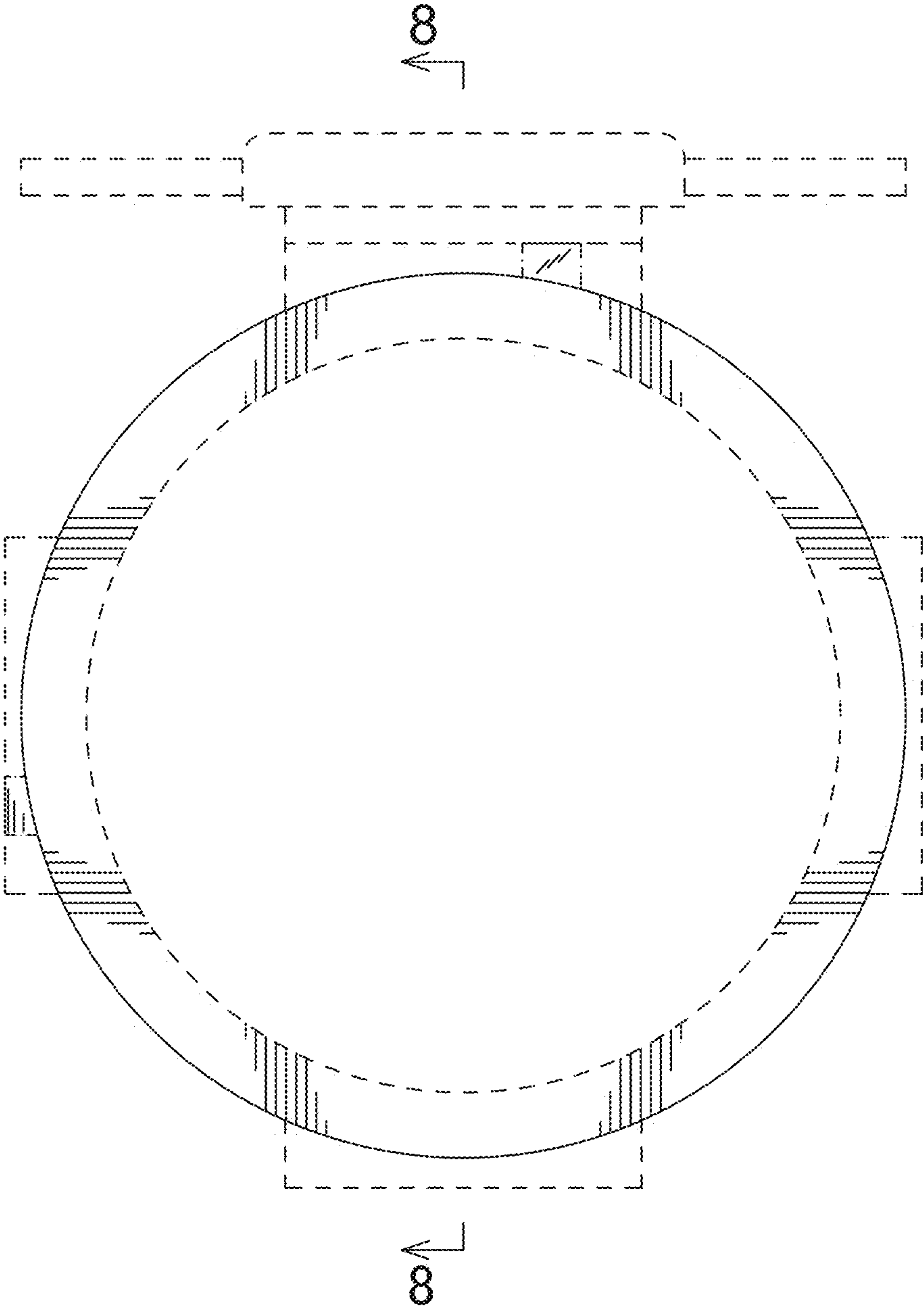


FIG. 3

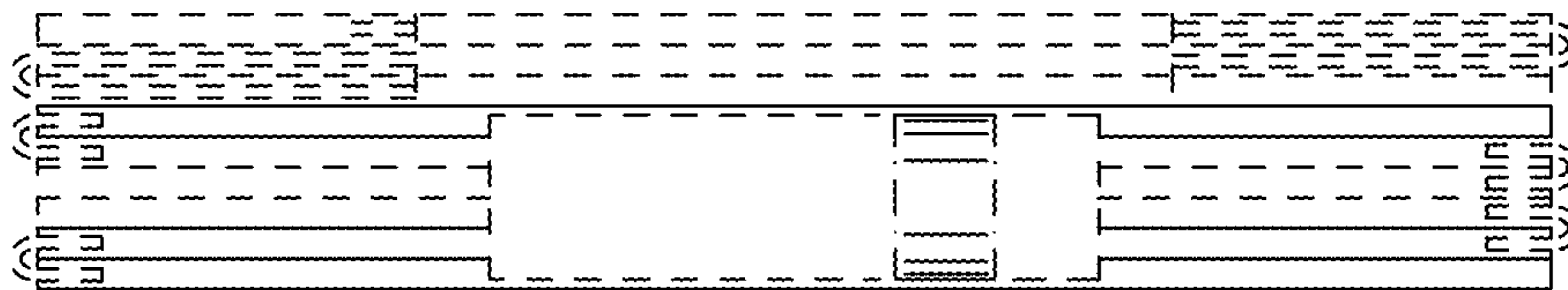


FIG. 4

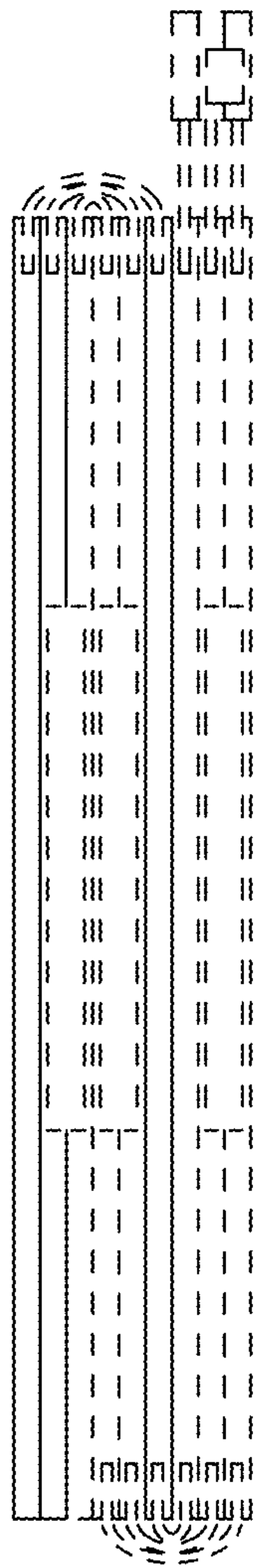


FIG. 5

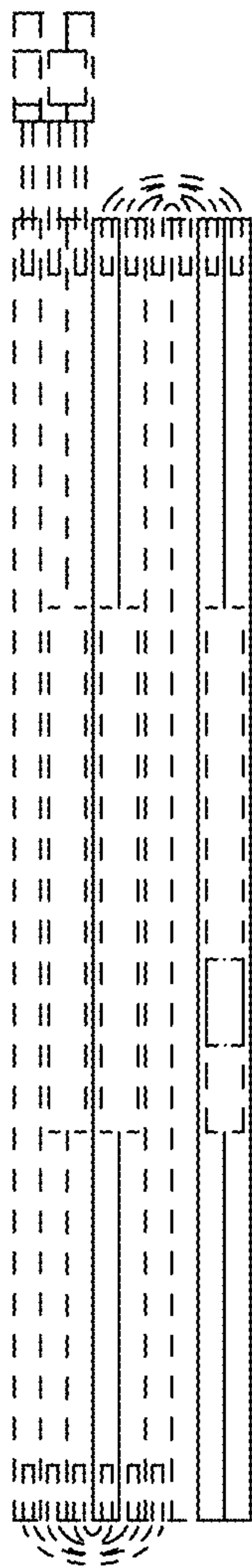


FIG. 6

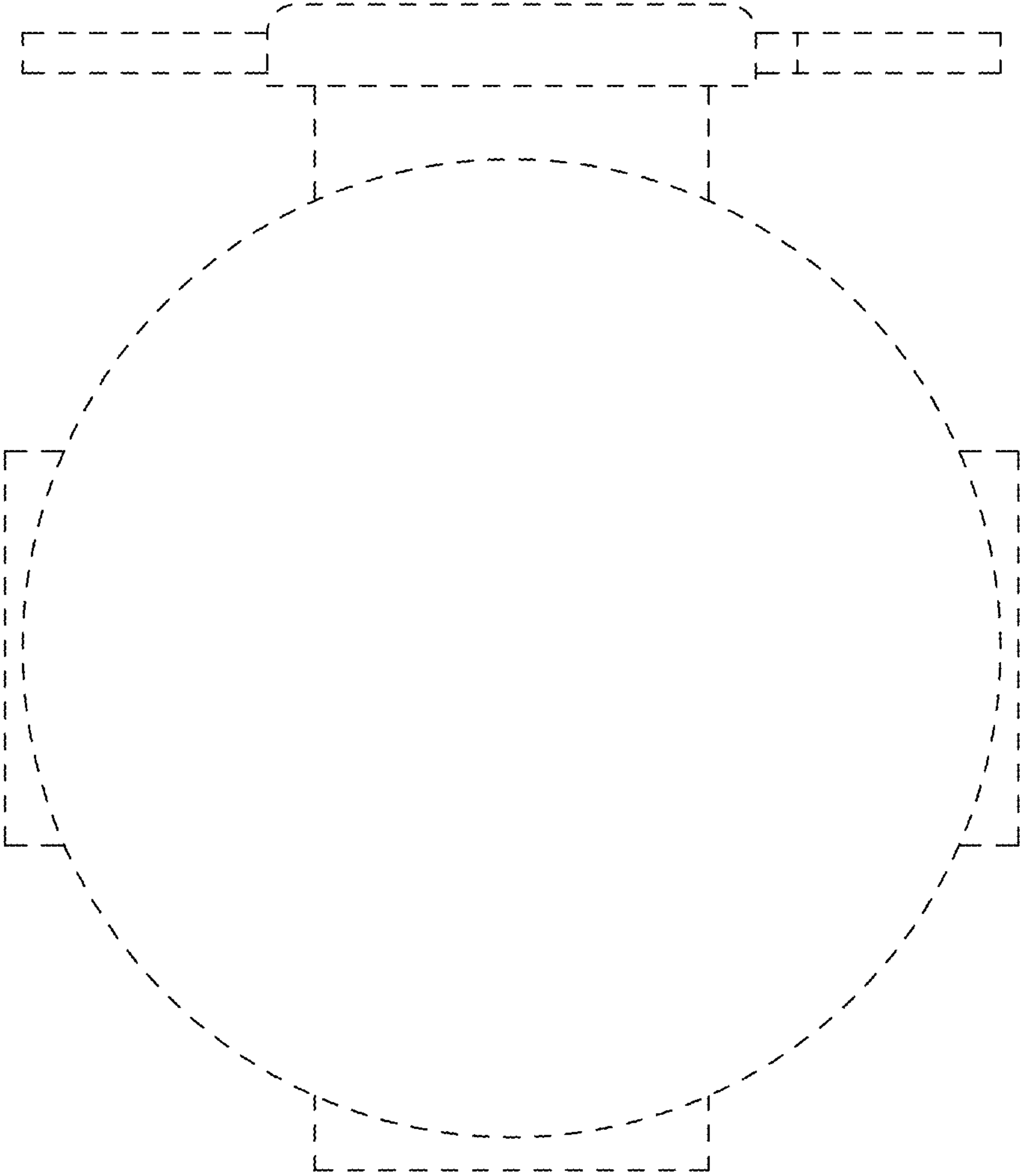


FIG. 7

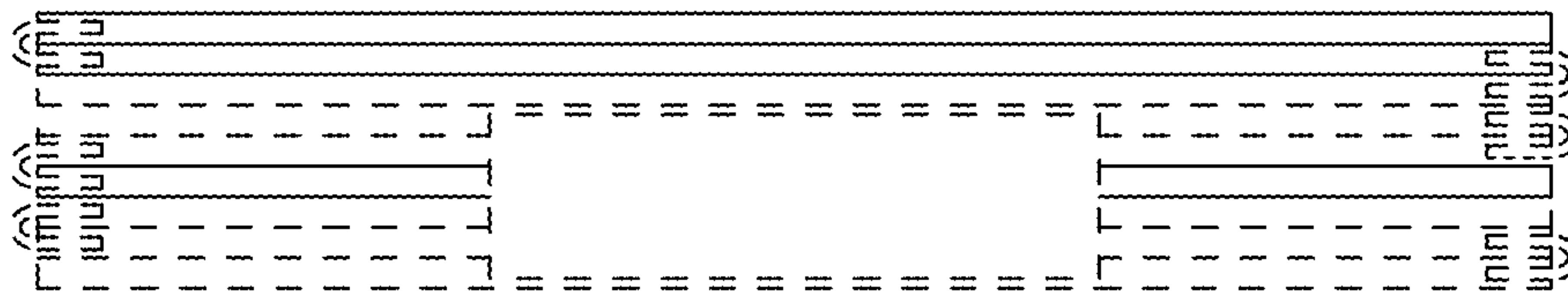


FIG. 8

