



US00D883915S

(12) **United States Design Patent** (10) **Patent No.:** **US D883,915 S**
Cheng (45) **Date of Patent:** **** May 12, 2020**

(54) **VEHICLE TIRE TRACTION DEVICE FOR MUD, SAND AND SNOW**

(71) Applicant: **Shuqun Cheng**, Guang Dong (CN)

(72) Inventor: **Shuqun Cheng**, Guang Dong (CN)

(**) Term: **15 Years**

(21) Appl. No.: **29/663,302**

(22) Filed: **Sep. 13, 2018**

(51) **LOC (12) Cl.** **12-15**

(52) **U.S. Cl.**
USPC **D12/608**

(58) **Field of Classification Search**
USPC D12/608, 604, 400, 500-501; D8/44,
D8/499
CPC . B60C 27/0269; B60C 27/0276; B60C 27/04;
B60C 27/06; B60C 27/08; B60C 27/20;
B60B 15/266

See application file for complete search history.

(56) **References Cited**

U.S. PATENT DOCUMENTS

D181,021 S *	9/1957	Puhn	D12/608
D247,291 S *	2/1978	Gilmartin	D12/608
4,226,272 A *	10/1980	Deluty	B60C 27/04 152/225 C
D265,081 S *	6/1982	Zielinski	D12/608
4,735,248 A *	4/1988	Cizaire	B60C 27/10 152/213 A
5,156,695 A *	10/1992	Martin	B60C 27/04 152/216
6,708,746 B2 *	3/2004	Wilkinson	B60C 27/02 152/217
8,181,684 B2 *	5/2012	Kahen	B60B 15/266 152/216
D677,537 S *	3/2013	Eriksson	B60C 27/10 D12/608

D689,014 S *	9/2013	Cox	D12/608
D704,132 S *	5/2014	Curry	D12/607
D707,622 S *	6/2014	Curry	D12/608
D731,964 S *	6/2015	Williams	D12/608
9,487,056 B1 *	11/2016	Dolios	B60C 27/023
10,363,784 B1 *	7/2019	Vorobiev	B60C 27/0238
2001/0035246 A1 *	11/2001	Wetlaufer	B60C 27/04 152/225 R
2004/0154717 A1 *	8/2004	Gray	B60C 11/16 152/213 R
2011/0303334 A1 *	12/2011	Safranek	B60C 27/04 152/216
2012/0119564 A1 *	5/2012	Perry	B60B 15/00 301/44.2

(Continued)

Primary Examiner — Michelle E. Wilson

Assistant Examiner — Clese Moore, Jr.

(74) *Attorney, Agent, or Firm* — Bay State IP, LLC

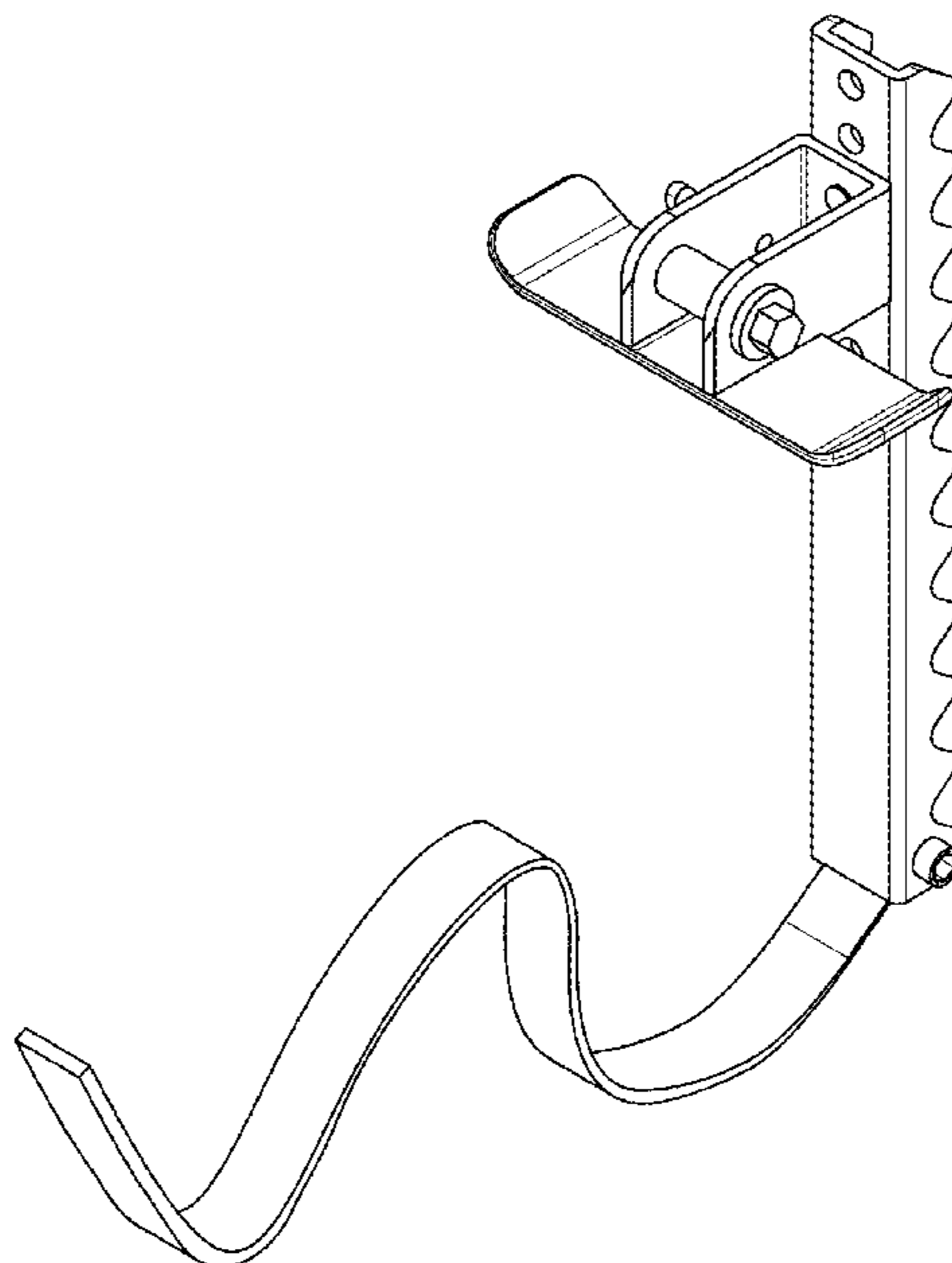
(57) **CLAIM**

The ornamental design for a vehicle tire traction device for mud, sand and snow, as shown and described.

DESCRIPTION

FIG. 1 is a front perspective view of the vehicle tire traction device for mud, sand and snow showing my new design; FIG. 2 is a front view thereof; FIG. 3 is a back view thereof; FIG. 4 is a left side view thereof; FIG. 5 is a right view thereof; FIG. 6 is a top view thereof; FIG. 7 is an upward view thereof; and, FIG. 8 is an environment view of the vehicle tire traction device for mud, sand and snow in use on a tire. The broken lines are included for the purpose of showing the vehicle tire traction device for mud, sand and snow in an environment on a tire and the tire and forms no part of the claimed design.

1 Claim, 8 Drawing Sheets



(56)

References Cited

U.S. PATENT DOCUMENTS

2012/0153707 A1* 6/2012 Dondurur B60B 15/18
301/44.3
2015/0053322 A1* 2/2015 Curry B60C 27/20
152/221
2015/0306926 A1* 10/2015 Martin B60C 27/0238
152/216
2016/0368334 A1* 12/2016 O'Connell B60C 27/20
2017/0158003 A1* 6/2017 Theroux B60B 15/18
2017/0259632 A1* 9/2017 Abad B60C 27/04
2019/0248195 A1* 8/2019 Curry B60C 27/023

* cited by examiner

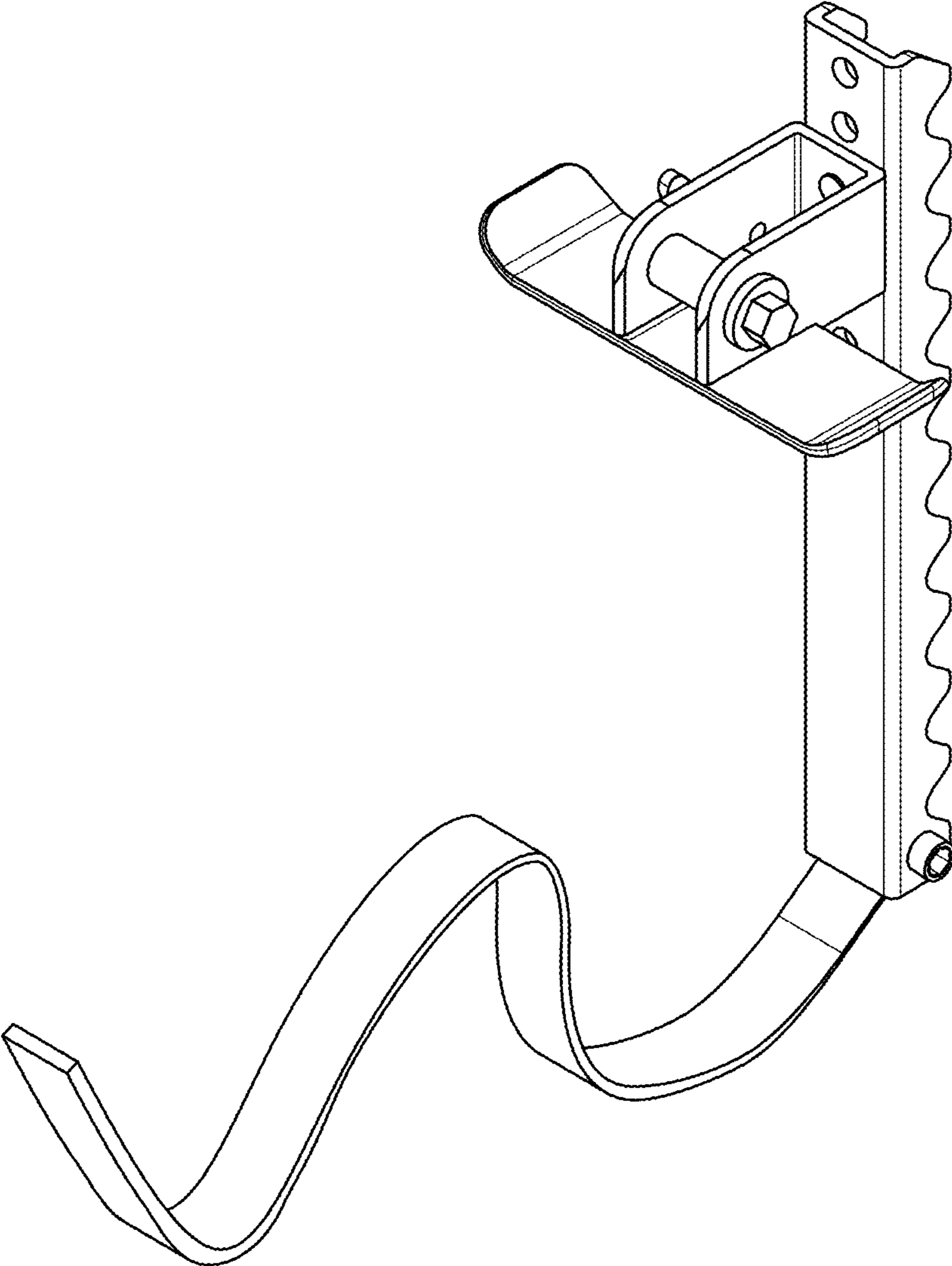


FIG. 1

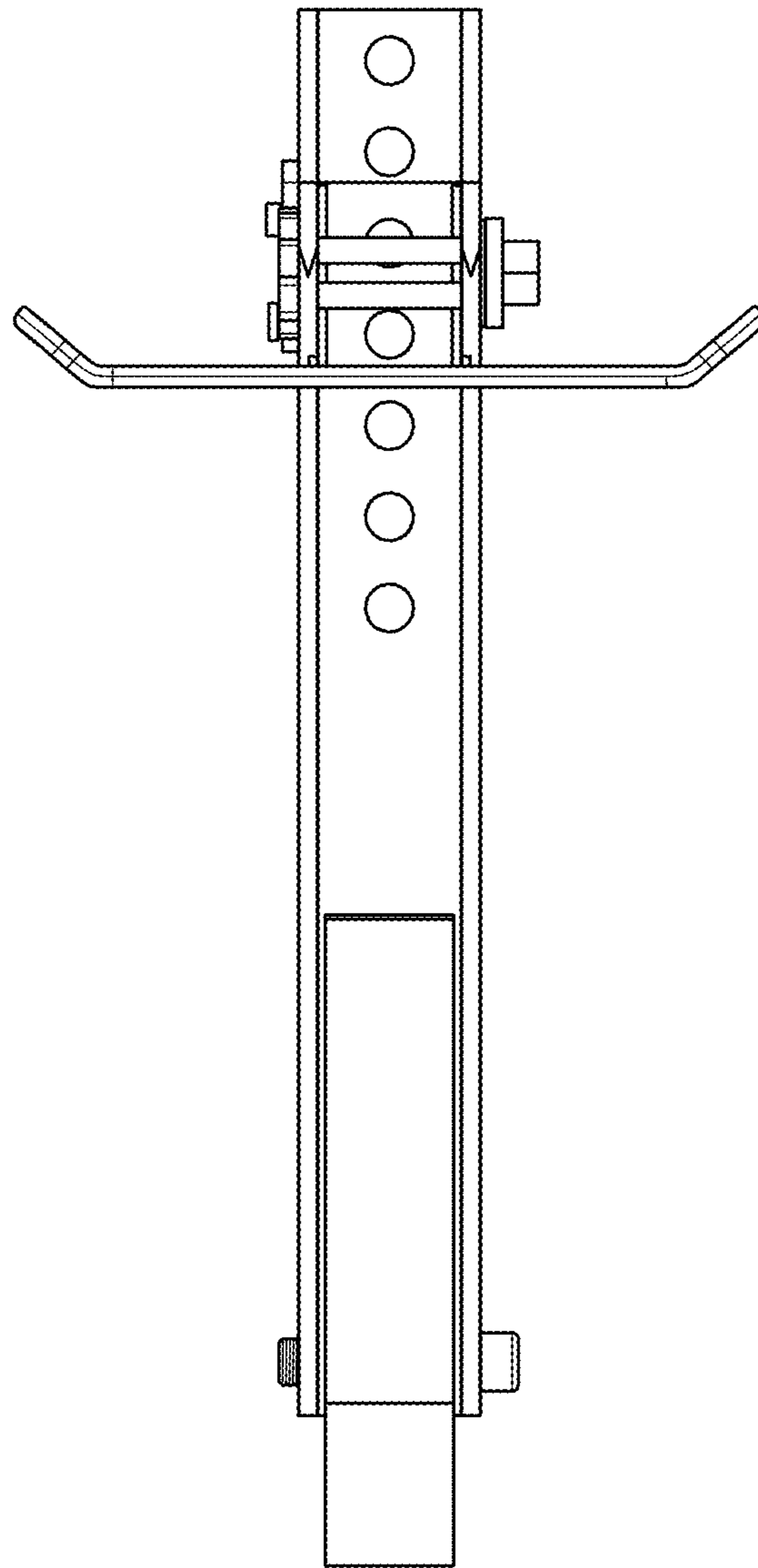


FIG. 2

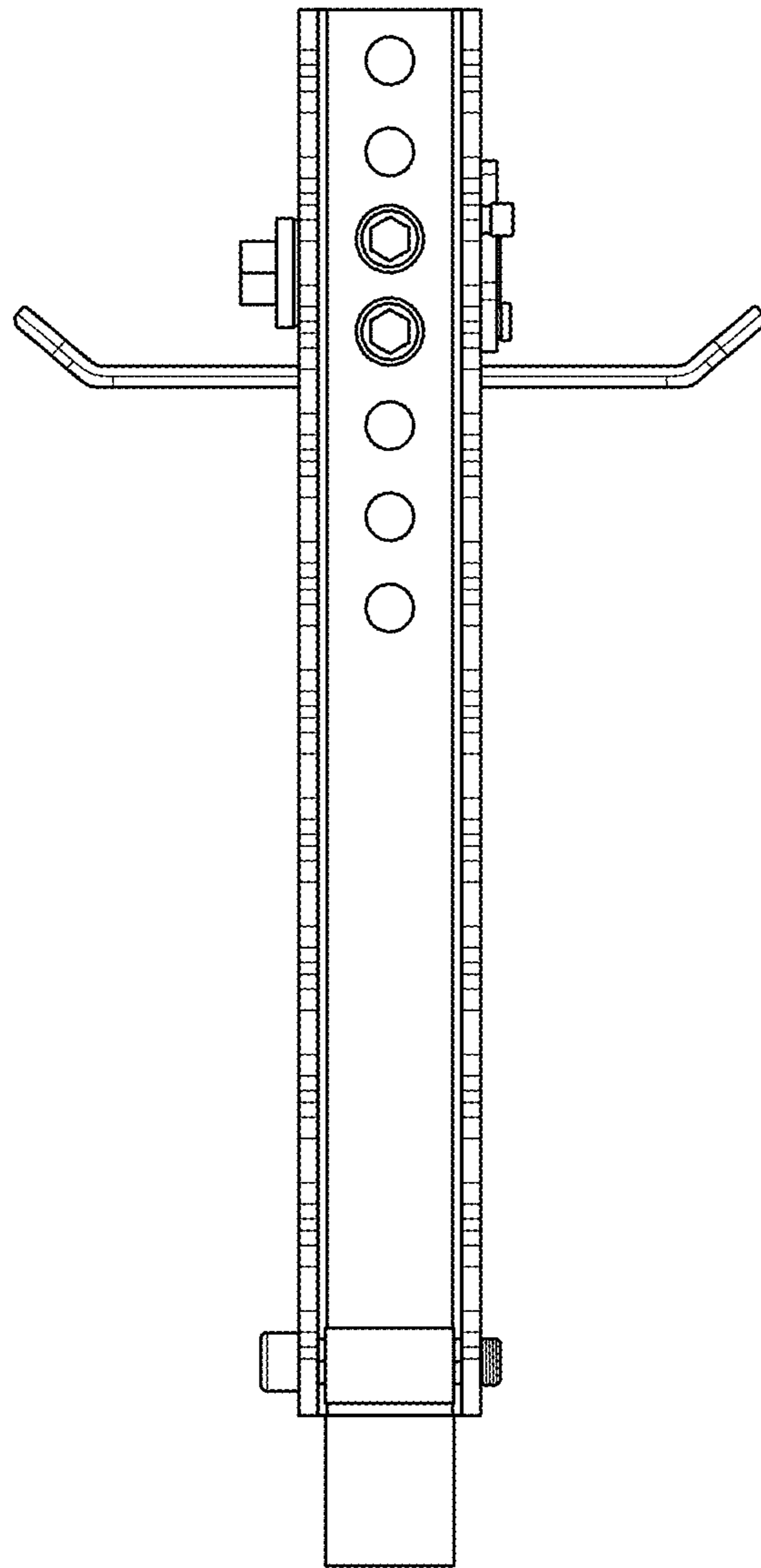


FIG. 3

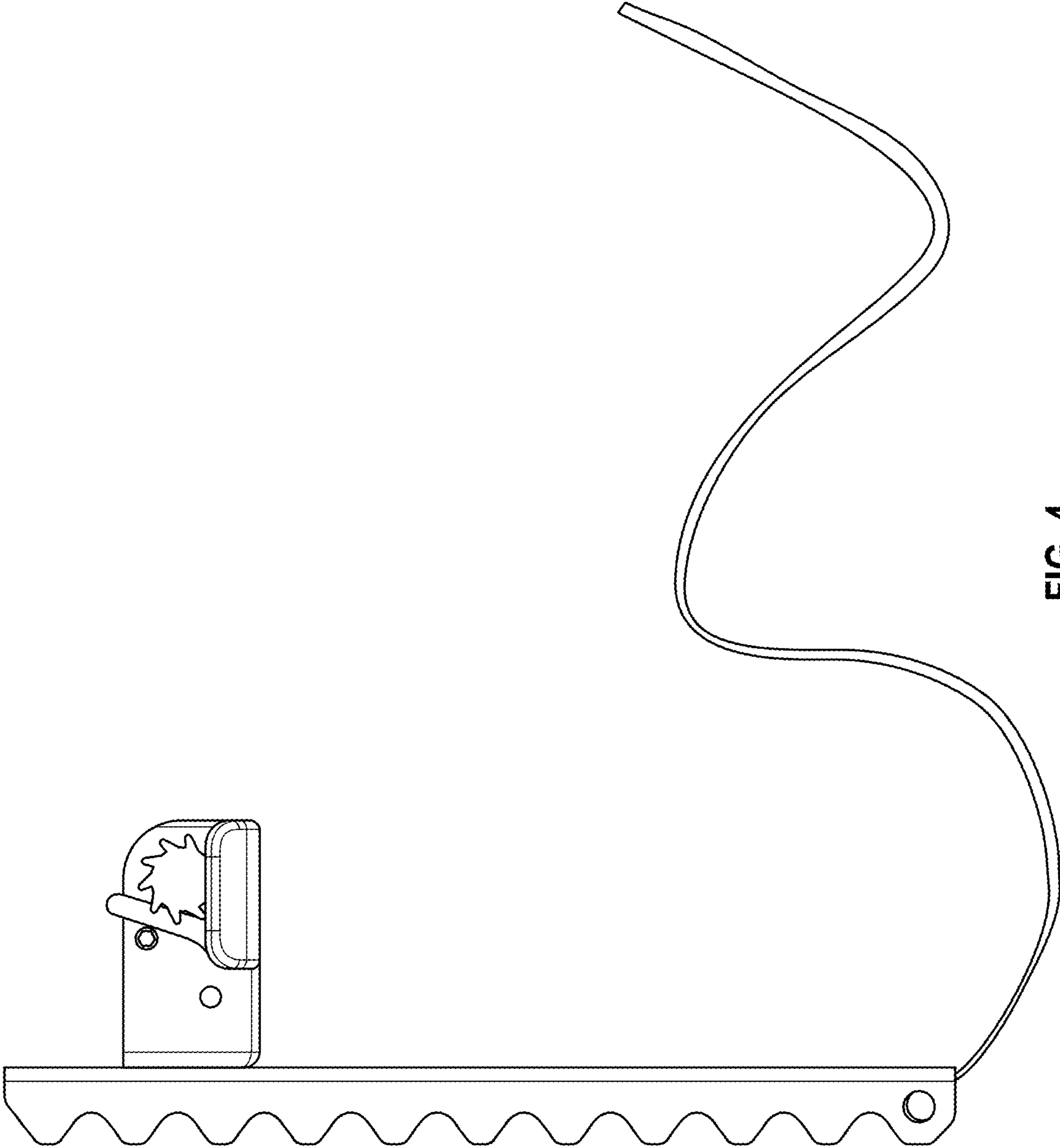


FIG. 4

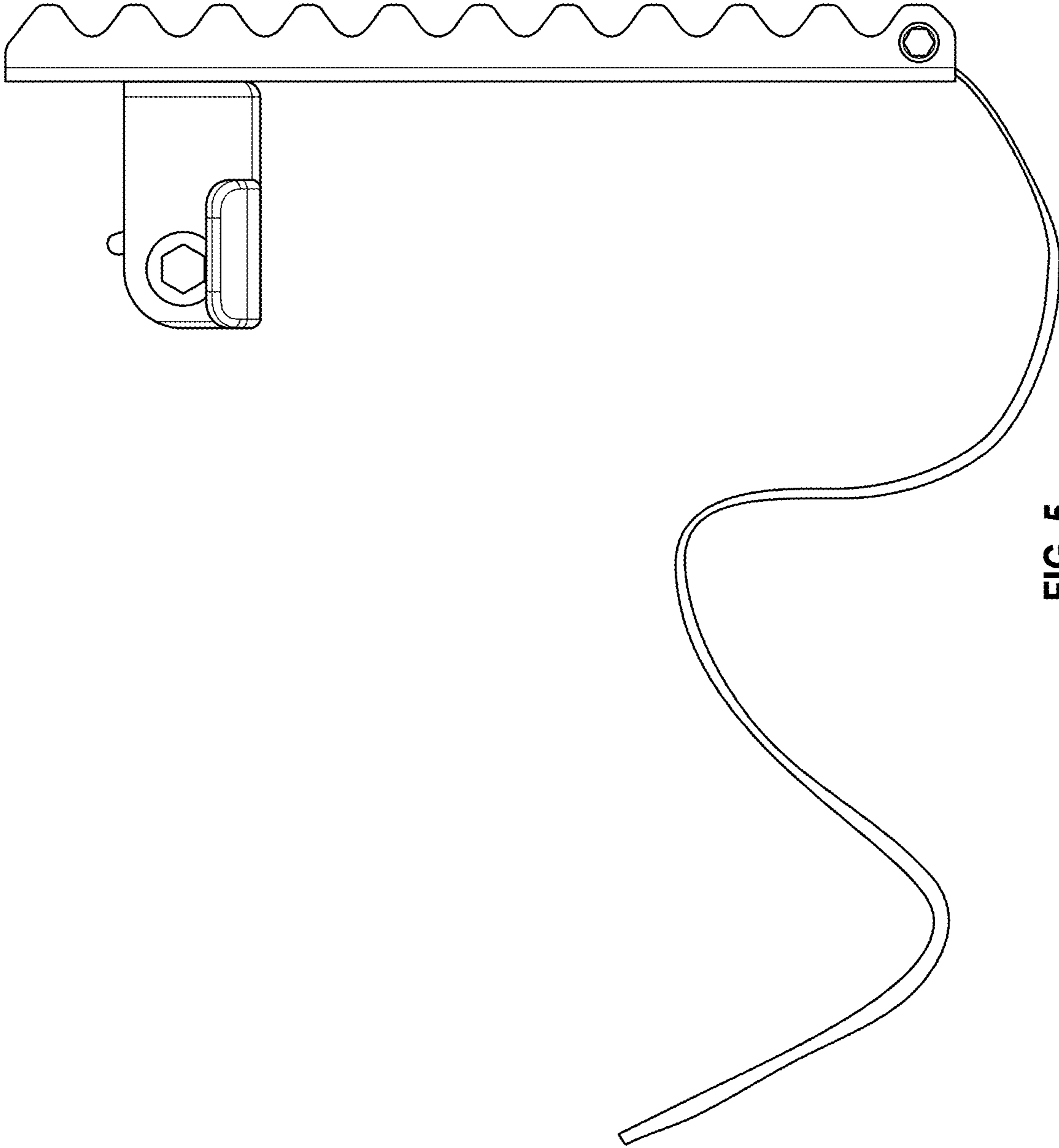


FIG. 5

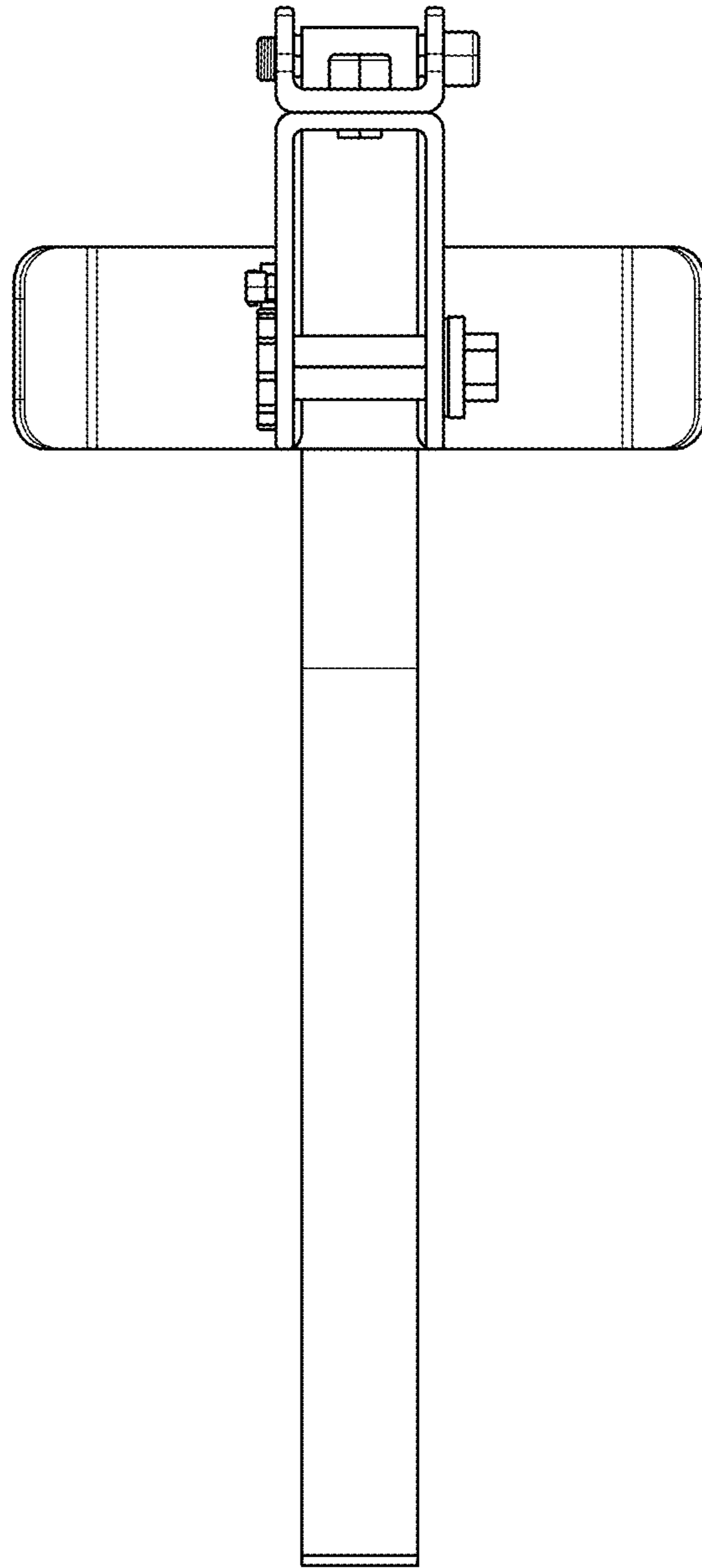


FIG. 6

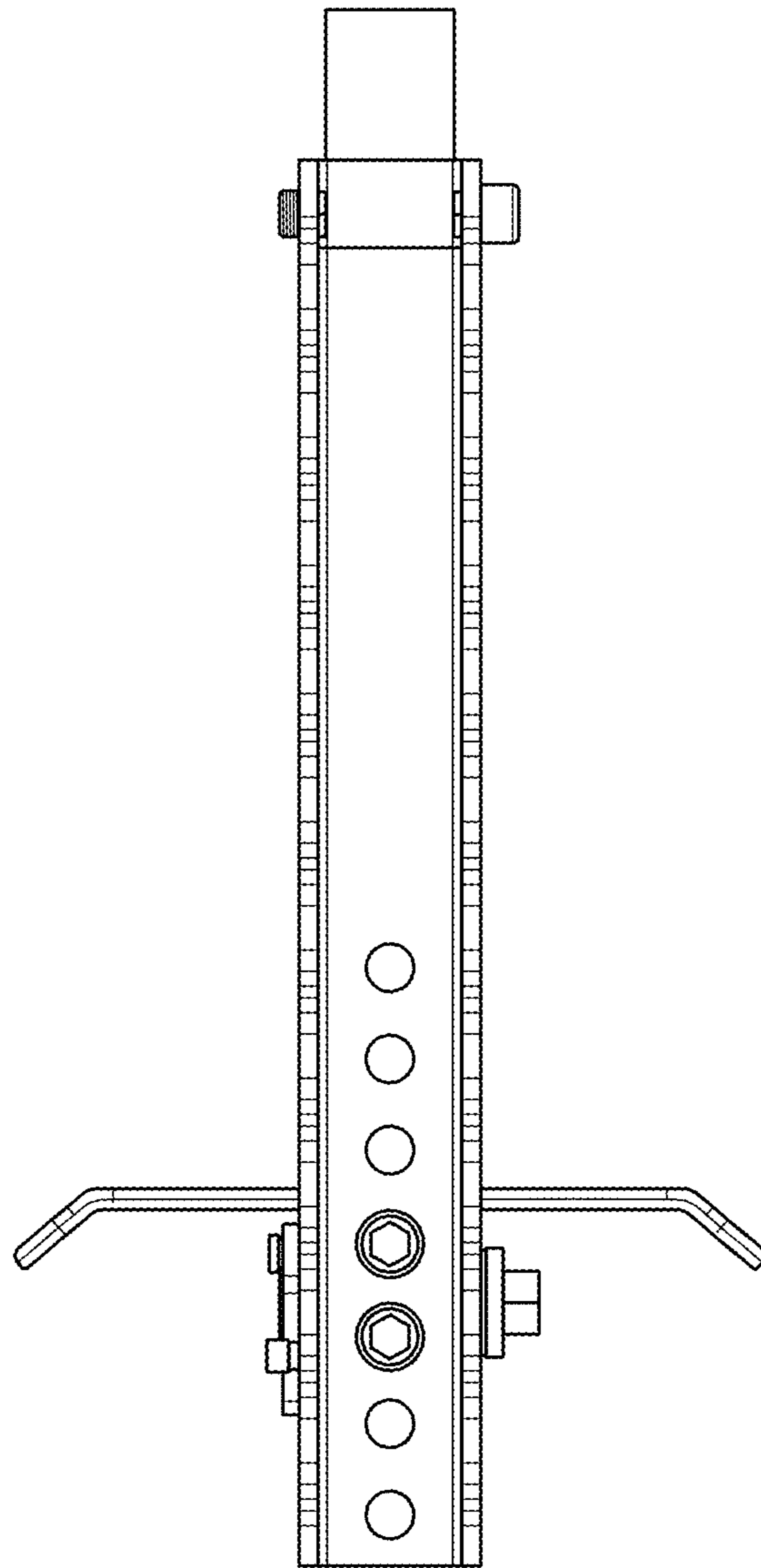


FIG. 7

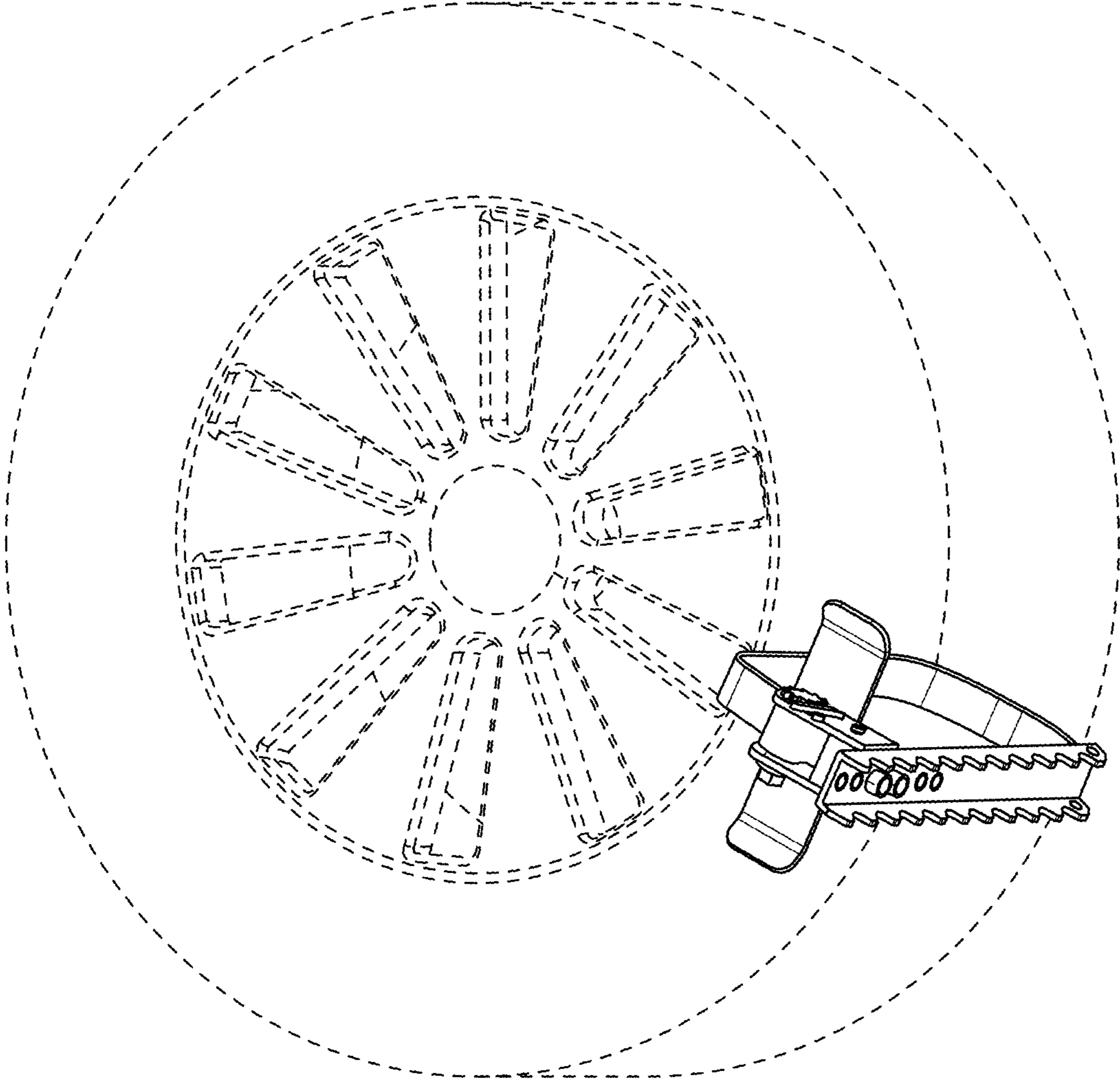


FIG. 8