



US00D883914S

(12) **United States Design Patent** (10) **Patent No.:** **US D883,914 S**  
**Johnson** (45) **Date of Patent:** **\*\* May 12, 2020**

- (54) **VALVE STEM**
- (71) Applicant: **Todd Johnson**, Berryville, VA (US)
- (72) Inventor: **Todd Johnson**, Berryville, VA (US)
- (\*\*) Term: **15 Years**
- (21) Appl. No.: **29/689,541**
- (22) Filed: **Apr. 30, 2019**

- 3,387,354 A 6/1968 Mossberg
  - 3,667,340 A 6/1972 Black et al.
  - 3,750,258 A 8/1973 Sampo
  - 3,834,270 A 9/1974 Triplett et al.
  - 3,836,035 A 9/1974 Simbirdi
  - 3,863,697 A 2/1975 Brown
  - 4,016,918 A 4/1977 Thacker
- (Continued)

**Related U.S. Application Data**

- (63) Continuation of application No. 15/572,726, filed as application No. PCT/US2016/035643 on Jun. 3, 2016.
- (51) **LOC (12) Cl.** ..... **12-15**
- (52) **U.S. Cl.**  
USPC ..... **D12/606**
- (58) **Field of Classification Search**  
USPC ..... D23/233, 235, 237, 241, 247, 248, 249;  
152/427, DIG. 12, 415; 137/223;  
D10/86; D12/606, 607  
CPC ..... F16L 41/04; F16L 47/345; F16L 41/18;  
F16K 27/067; F16K 15/20; F16K 15/207;  
B60C 23/0494; B60C 29/068  
See application file for complete search history.

(56) **References Cited**

**U.S. PATENT DOCUMENTS**

- 2,277,885 A 3/1942 Rodanet
- 2,634,785 A 4/1953 Tubbs
- 2,709,383 A 5/1955 Davies
- 2,866,492 A 12/1958 Lee
- 2,872,963 A 2/1959 Boyer
- 2,962,073 A 11/1960 Reed
- 2,966,191 A 12/1960 Williams
- 2,968,333 A 1/1961 Ayres
- 3,013,643 A 12/1961 Perry
- 3,258,051 A 6/1966 Kilmarx
- 3,368,603 A 2/1968 Kuzyn

**OTHER PUBLICATIONS**

International Search Report for PCT/US2016/035643 dated Sep. 8, 2016 (2 Pages).

*Primary Examiner* — Gino Colan

(57) **CLAIM**

The ornamental design for a valve stem, as shown and described.

**DESCRIPTION**

FIG. 1 is a perspective view of a first embodiment of a valve stem showing my new design;

FIG. 2 is a front elevation view of the valve stem of FIG. 1, the rear elevation view being identical thereto;

FIG. 3 is a right-side elevation of the valve stem of FIG. 1, the left-side elevation view being identical thereto;

FIG. 4 is a top view of the valve stem of FIG. 1;

FIG. 5 is a bottom view of the valve stem of FIG. 1;

FIG. 6 is a perspective view of a second embodiment of a valve stem showing my new design;

FIG. 7 is a front elevation view of the valve stem of FIG. 6, the rear elevation view being identical thereto;

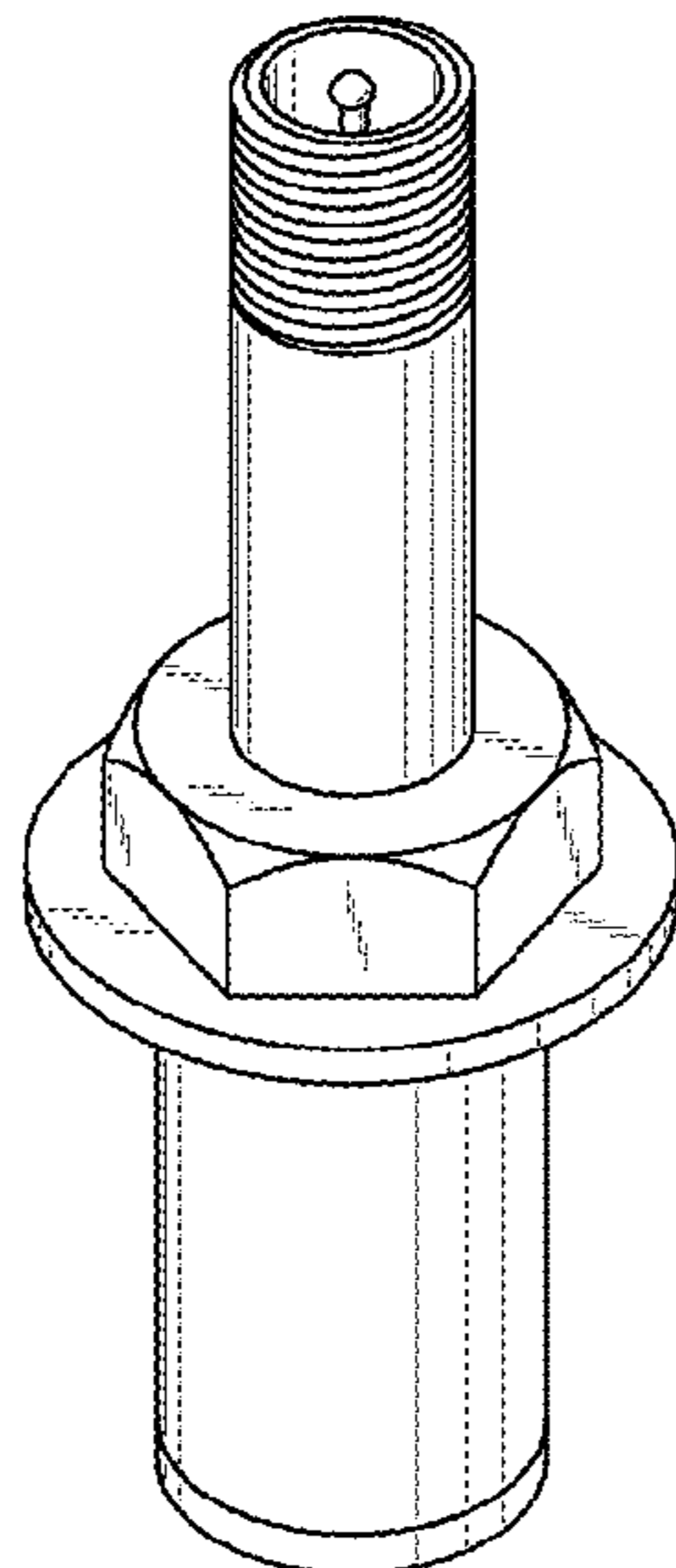
FIG. 8 is a right-side elevation of the valve stem of FIG. 6, the left-side elevation view being identical thereto;

FIG. 9 is a top view of the valve stem of FIG. 6; and,

FIG. 10 is a bottom view of the valve stem of FIG. 6.

The valve stem is shown with a symbolic break in its length. The appearance of any portion of the article between the break lines forms no part of the claimed design.

**1 Claim, 2 Drawing Sheets**



(56)

**References Cited**

U.S. PATENT DOCUMENTS

4,171,119	A	10/1979	Lamson	
4,411,458	A	10/1983	Strunk et al.	
4,739,813	A	4/1988	Pagnani	
4,765,048	A	8/1988	Hokanson	
4,807,343	A	2/1989	Wadsworth	
D304,817	S *	11/1989	Earley .....	D12/606
5,097,580	A	3/1992	Story	
5,259,714	A	11/1993	Campbell	
5,803,108	A	9/1998	Schuessler, Jr. et al.	
5,816,284	A *	10/1998	Lin .....	B60C 29/064 137/223
6,574,843	B1	6/2003	Meadows	
6,722,409	B1 *	4/2004	Martin .....	B60C 23/0408 152/415
6,935,821	B2	8/2005	Bodin et al.	
7,226,263	B2	6/2007	Schwarzlich	
D576,254	S *	9/2008	McBroom .....	D23/233
8,245,747	B2	8/2012	Monjuvent et al.	
8,511,332	B2	8/2013	Robert	
D704,302	S *	5/2014	Anderson .....	D23/233
D745,638	S *	12/2015	Hickman .....	D23/233
9,759,337	B2 *	9/2017	Cassiman .....	F04B 33/005
9,937,760	B2 *	4/2018	Austin .....	B60C 29/002
2003/0066176	A1	4/2003	Rivers	
2003/0213111	A1	11/2003	Groves	
2004/0016096	A1	1/2004	Capoferi et al.	
2017/0241566	A1	8/2017	Taki	
2018/0038500	A1	2/2018	Mori	

\* cited by examiner

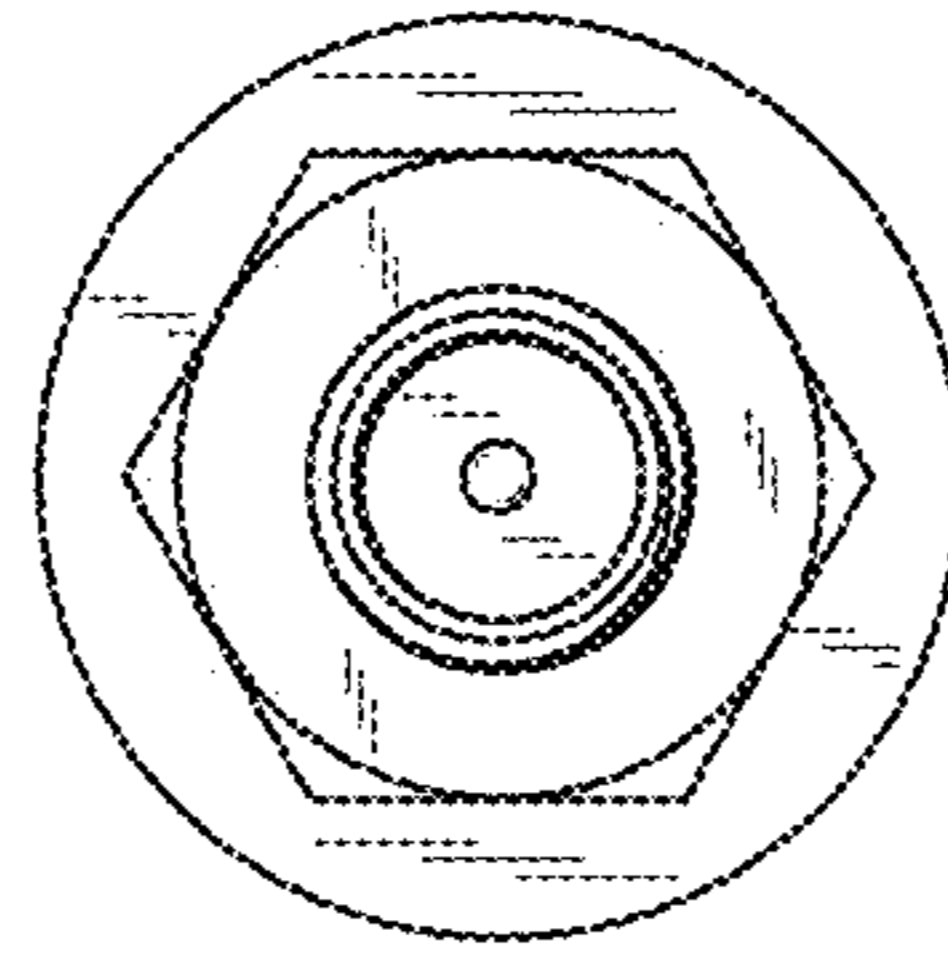


FIG. 4

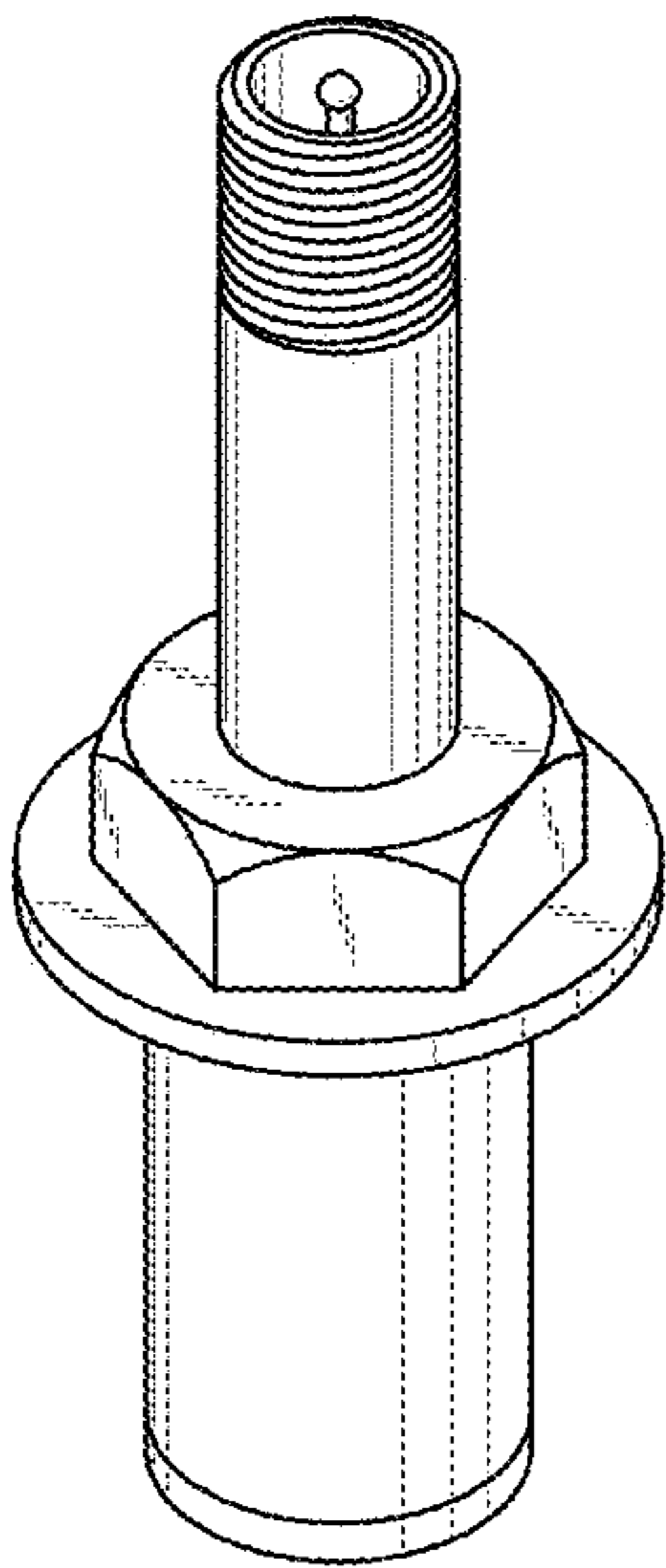


FIG. 1

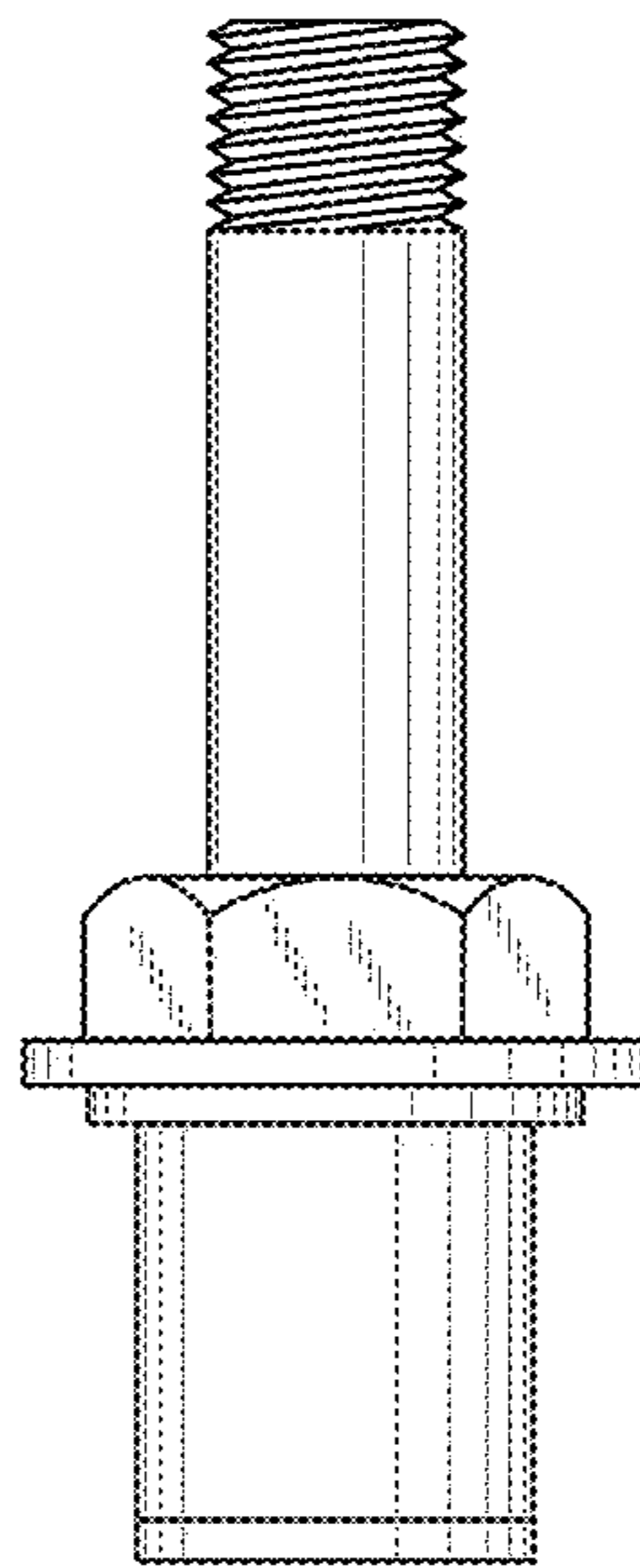


FIG. 2

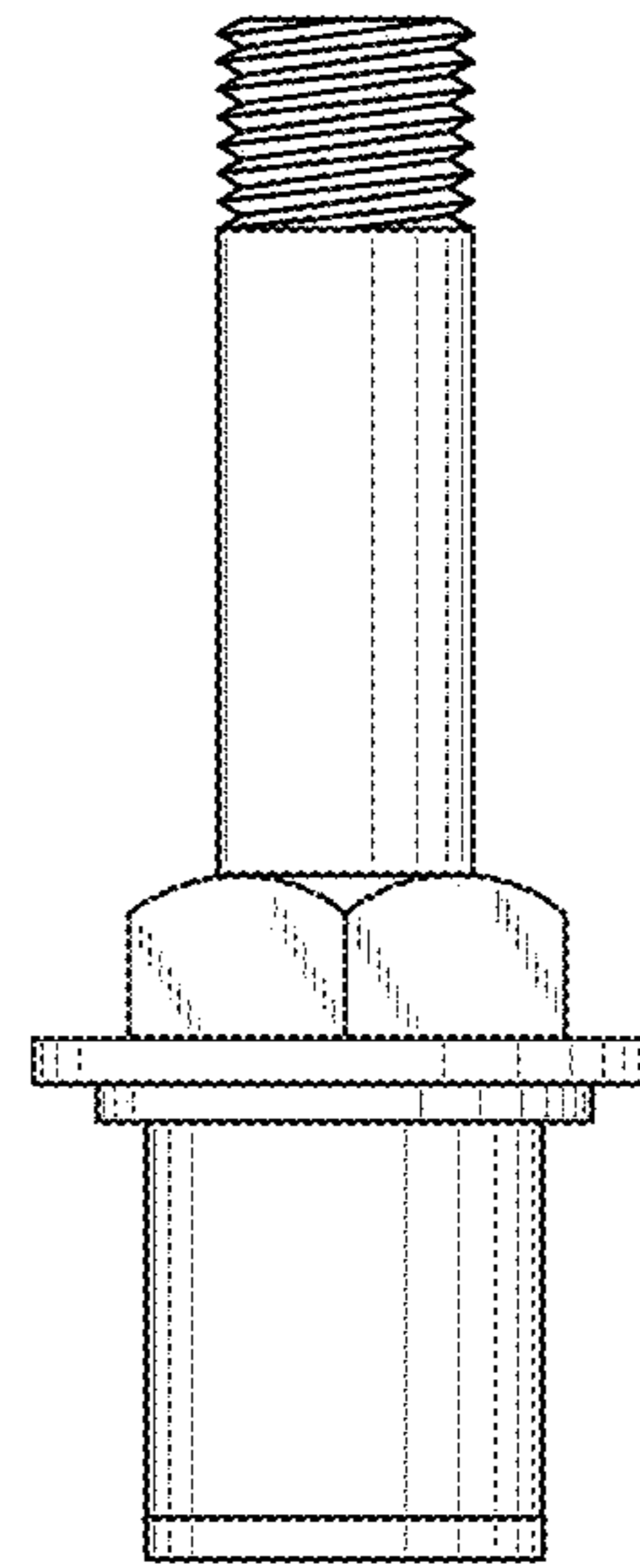


FIG. 3

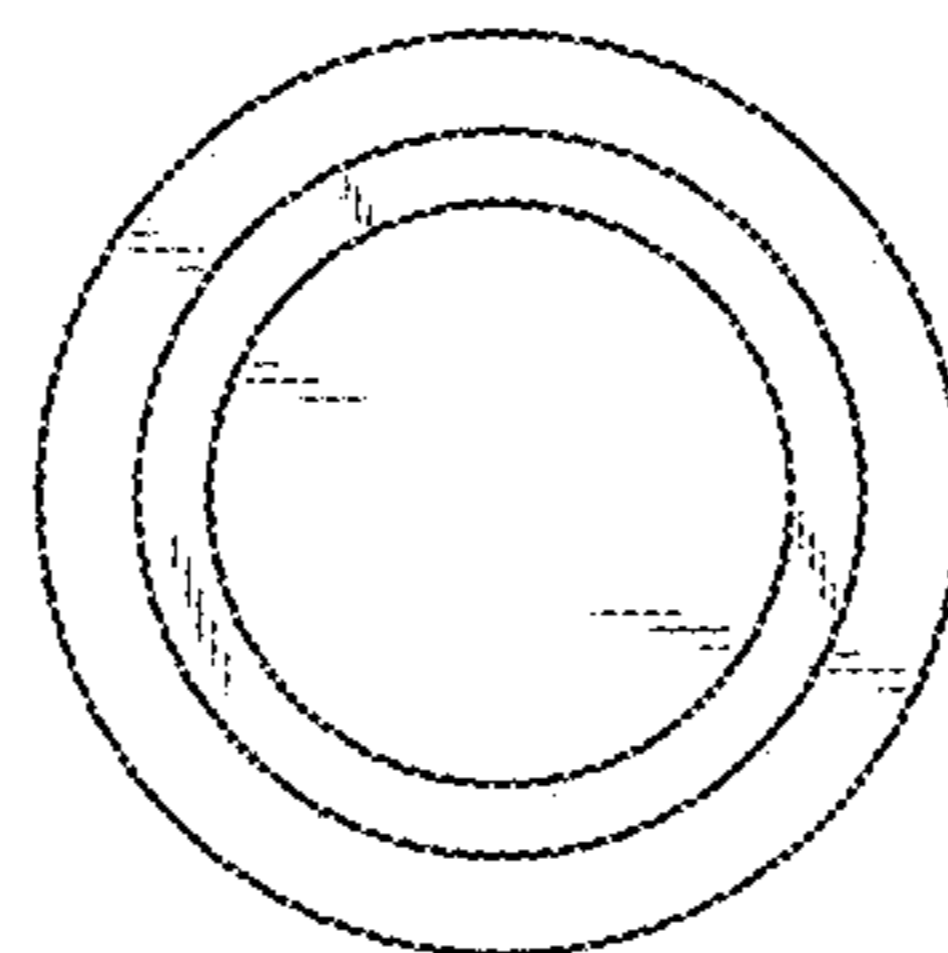


FIG. 5

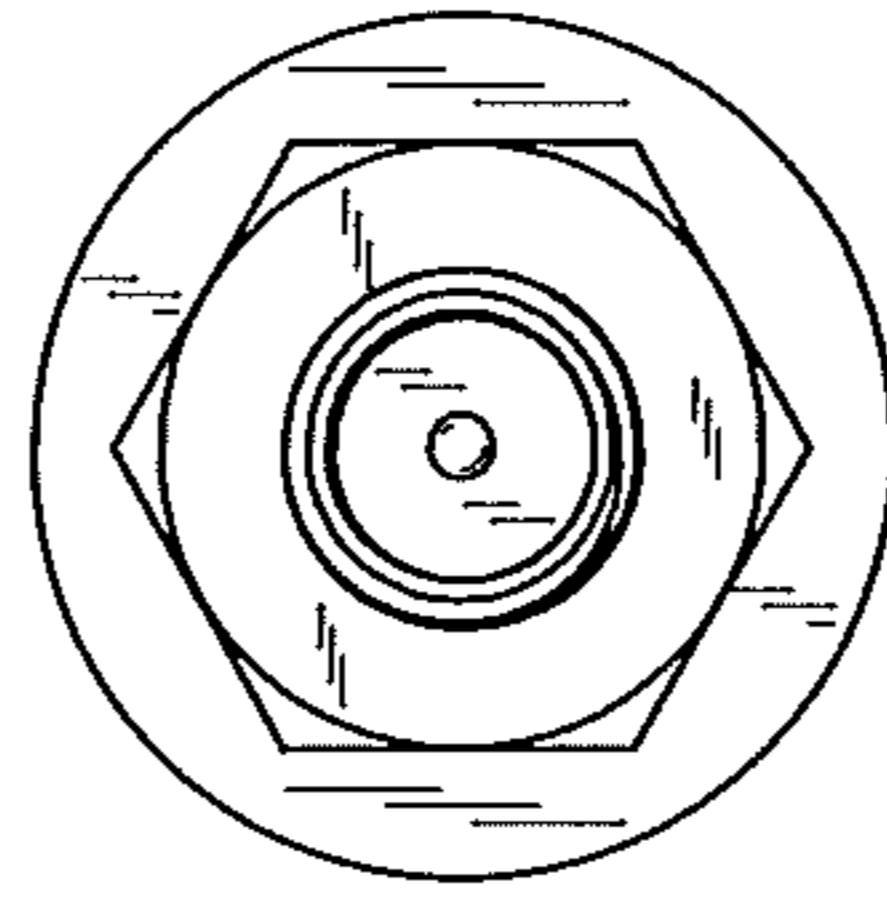


FIG. 9

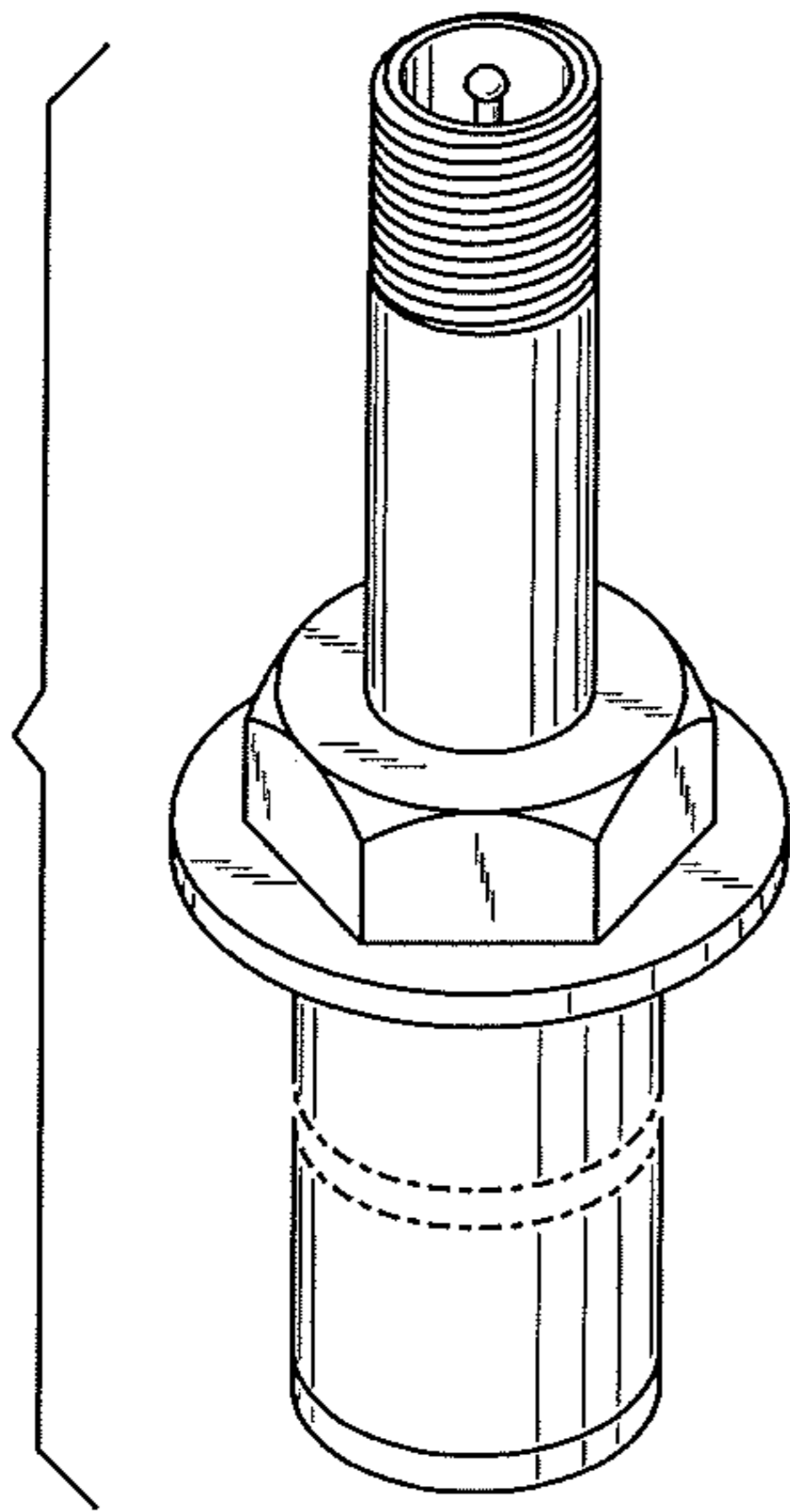


FIG. 6

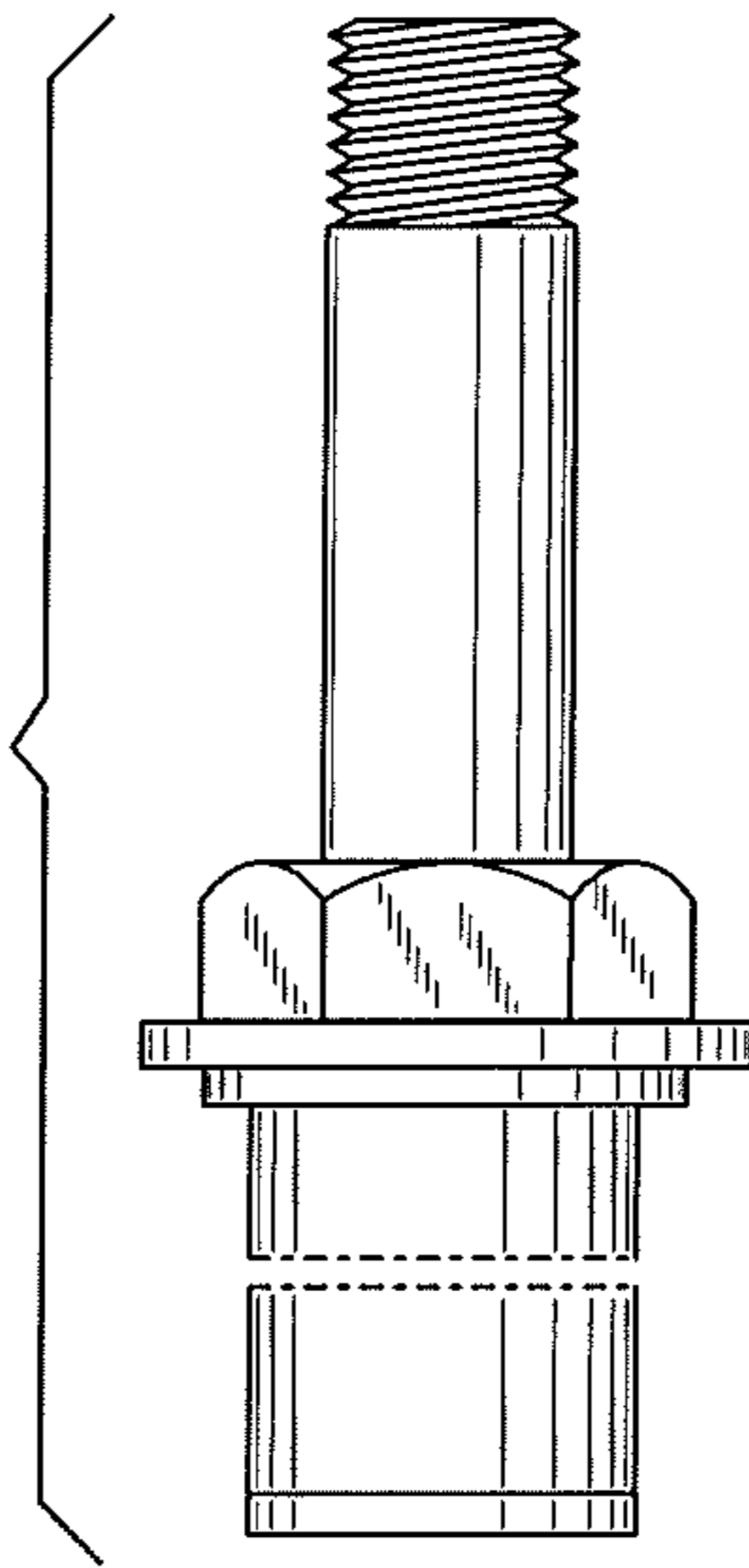


FIG. 7

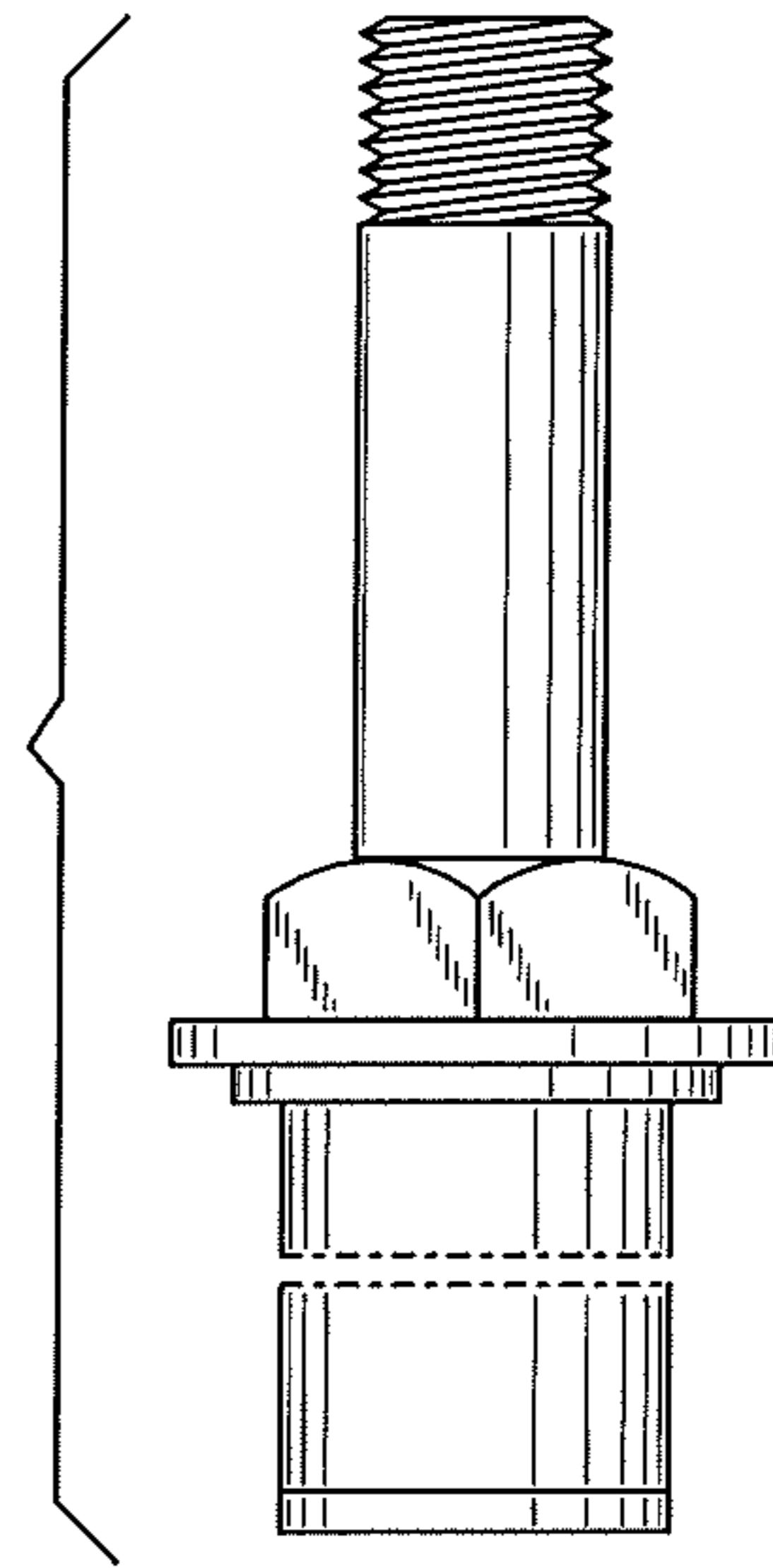


FIG. 8

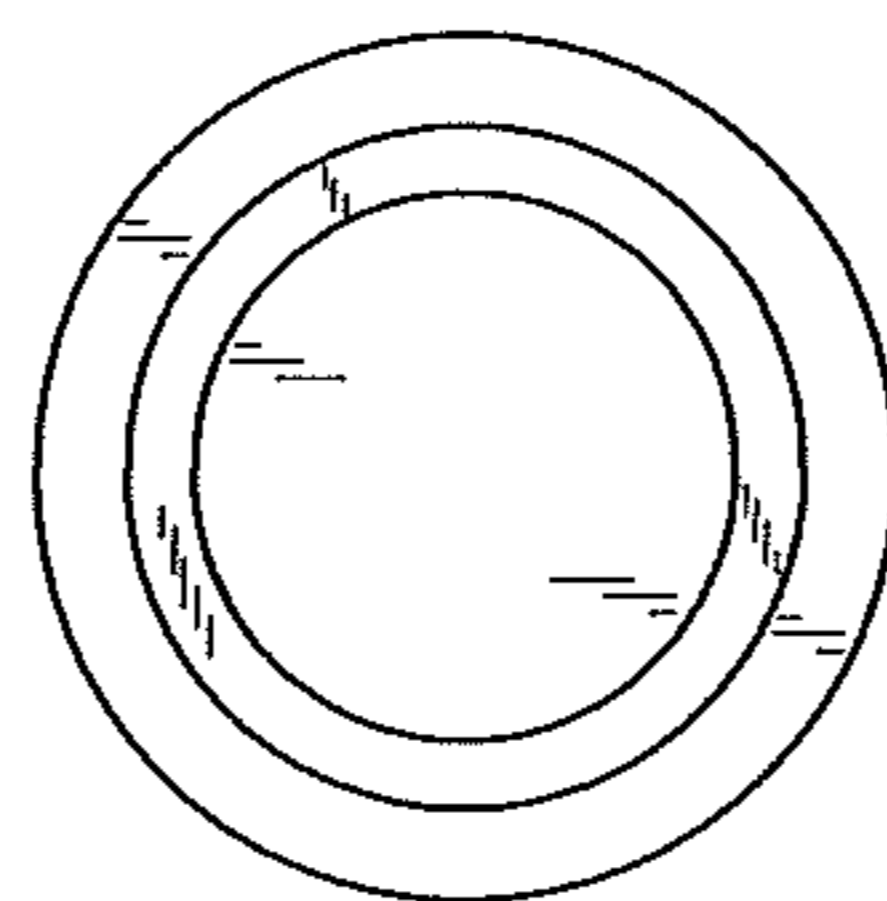


FIG. 10