



US00D883912S

(12) **United States Design Patent** (10) **Patent No.:** **US D883,912 S**
Djabour (45) **Date of Patent:** **** May 12, 2020**

(54) **TIRE**
(71) Applicant: **COMPAGNIE GENERALE DES
ETABLISSEMENTS MICHELIN,**
Clermont-Ferrand (FR)
(72) Inventor: **Walid Djabour,** Clermont-Ferrand (FR)
(73) Assignee: **COMPAGNIE GENERALE DES
ETABLISSEMENTS MICHELIN,**
Clermont-Ferrand (FR)

D426,855 S 6/2000 Niwa et al.
D429,194 S 8/2000 Heinen et al.
D432,057 S 10/2000 Himuro
D454,523 S 3/2002 Traulle
D454,815 S * 3/2002 Guspodin D12/605
6,352,091 B1 3/2002 Hanya
D472,872 S 4/2003 O
D487,053 S 2/2004 Masuko
D491,516 S 6/2004 Miller et al.
D500,473 S * 1/2005 Boggs D12/605
D504,387 S 4/2005 Welbes et al.
D505,111 S 5/2005 Allison et al.
D516,998 S 3/2006 Wang et al.

(**) Term: **15 Years**

(Continued)

(21) Appl. No.: **29/658,740**

FOREIGN PATENT DOCUMENTS

(22) Filed: **Aug. 2, 2018**

EP 0609194 A1 8/1994
FR 06/5978 12/2006

(30) **Foreign Application Priority Data**

(Continued)

Jun. 1, 2018 (EM) 005292729-0001

Primary Examiner — Michelle E. Wilson

(51) **LOC (12) Cl.** **12-15**

Assistant Examiner — Clese Moore, Jr.

(52) **U.S. Cl.**
USPC **D12/605**

(74) *Attorney, Agent, or Firm* — Dickinson Wright PLLC

(58) **Field of Classification Search**
USPC D12/604, 605
CPC B60C 13/00; B60C 1/00
See application file for complete search history.

(57) **CLAIM**

The ornamental design for a tire, as shown and described.

(56) **References Cited**

DESCRIPTION

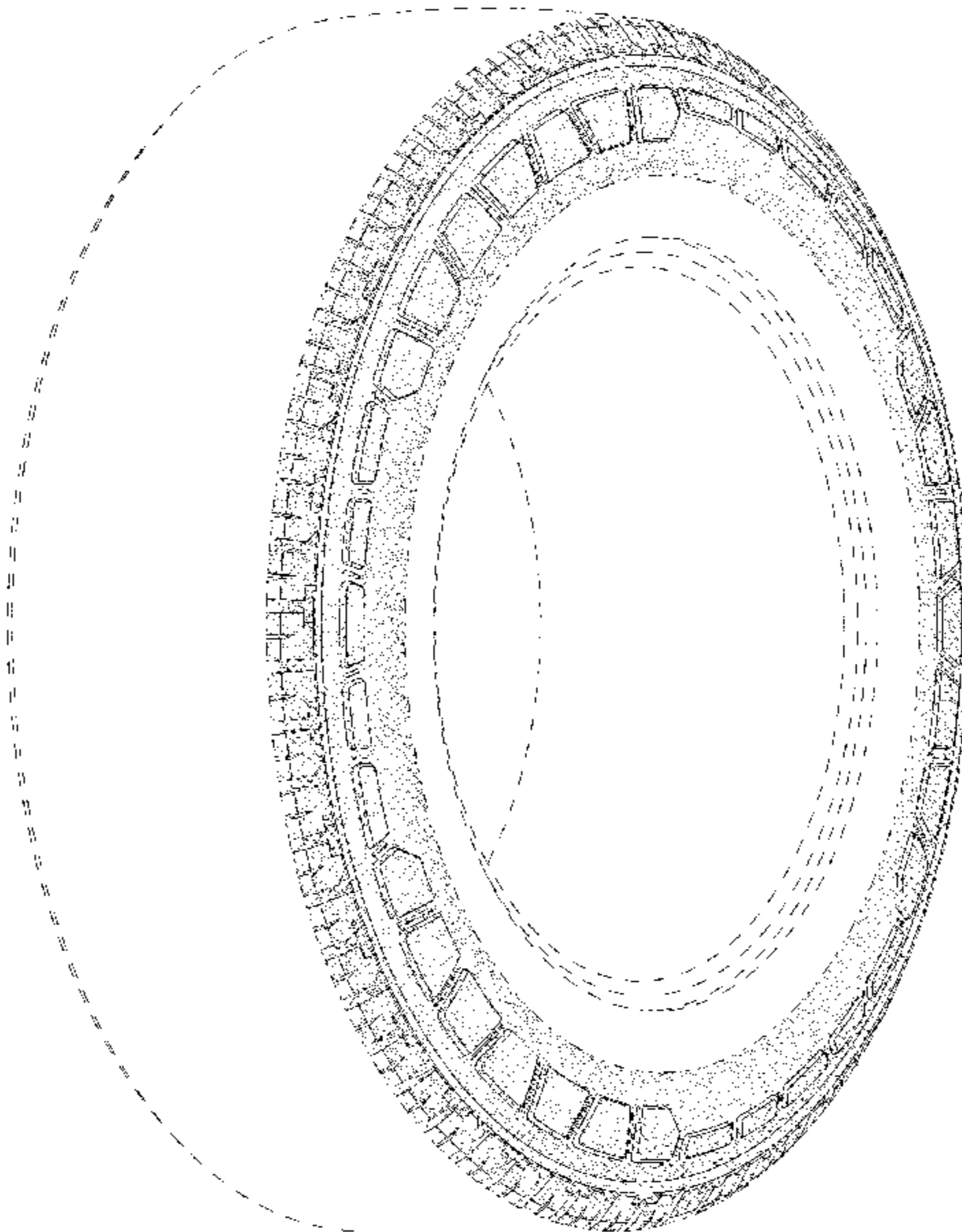
U.S. PATENT DOCUMENTS

4,726,407 A 2/1988 Hayakawa et al.
5,131,443 A 7/1992 Kuhr et al.
D351,368 S 10/1994 Graas et al.
D355,876 S 2/1995 Diensthuber
D360,861 S 8/1995 Graas et al.
D361,966 S 9/1995 Graas et al.
D367,836 S * 3/1996 Scarpitti D12/605
D370,880 S 6/1996 Graas
D379,449 S 5/1997 Graas et al.
D390,512 S 2/1998 Eromaki

FIG. 1 is a perspective view of the tire of my design;
FIG. 2 is a front elevation view of the tire of my design;
FIG. 3 is a side elevation view of the tire of my design;
FIG. 4 is a side elevation view of the tire of my design, taken
from the opposite side of that shown in FIG. 3; and,
FIG. 5 is an enlarged, partial view of the tire of my design,
as indicated by the break lines.

The dash-dot-dot-dash lines define the peripheral boundaries
of the claim. The broken line disclosure in the drawings
depicts environmental subject matter forming no part of the
claimed design.

1 Claim, 5 Drawing Sheets



(56)

References Cited

U.S. PATENT DOCUMENTS

D531,955 S 11/2006 Fontaine
 D544,827 S 6/2007 Lee
 D550,148 S 9/2007 Fontaine
 D555,581 S 11/2007 Salvan
 D568,235 S * 5/2008 Dixon D12/605
 D575,728 S * 8/2008 Harvey D12/605
 D579,861 S 11/2008 Haas
 D579,863 S 11/2008 Harvey et al.
 D591,220 S 4/2009 Minagawa
 D595,218 S 6/2009 Rodicq
 D595,639 S 7/2009 de Briey-Terlinden
 D601,946 S 10/2009 Fontaine
 D606,927 S 12/2009 Kang
 D607,810 S 1/2010 Oizumi
 D610,963 S 3/2010 Oizumi
 D613,324 S 4/2010 Sato
 D615,479 S 5/2010 Lee
 D626,911 S 11/2010 Takashima
 D627,714 S * 11/2010 Miyazaki D12/605
 D627,715 S * 11/2010 Umstot D12/605
 D627,716 S * 11/2010 Harvey D12/605
 D634,700 S 3/2011 Ebel et al.
 D638,354 S * 5/2011 Strader D12/605
 D640,184 S 6/2011 de Briey-Terlinden
 D651,163 S 12/2011 Shimizu et al.
 D663,259 S * 7/2012 Umstot D12/605
 D668,205 S 10/2012 Ebel et al.
 D683,301 S 5/2013 Kang
 D684,523 S 6/2013 Scheuren
 D684,922 S 6/2013 Scheuren

D705,718 S 5/2014 Hirama
 D710,292 S 8/2014 Le
 D718,224 S 11/2014 Guichon
 D720,684 S 1/2015 Mathonet
 D724,008 S 3/2015 Mathonet
 D724,522 S 3/2015 D'Abrigeon
 D733,641 S 7/2015 Mathonet
 D736,699 S * 8/2015 Dixon D12/605
 D754,588 S 4/2016 Hye et al.
 D757,643 S * 5/2016 Dixon D12/605
 D757,644 S * 5/2016 Wieland D12/605
 D758,286 S 6/2016 Hye et al.
 D767,473 S 9/2016 Nomura et al.
 D778,230 S 2/2017 Haanketo
 D778,233 S * 2/2017 Kuwano D12/605
 D779,425 S * 2/2017 Scheifele D12/605
 D782,970 S * 4/2017 Sato D12/605
 D788,026 S * 5/2017 Lundgren D12/605
 D788,695 S * 6/2017 Scheifele D12/605
 D799,416 S * 10/2017 Sato D12/605
 D800,642 S * 10/2017 Takahashi D12/605
 D805,469 S * 12/2017 Sato D12/605
 D806,641 S * 1/2018 Fujioka D12/605
 D809,453 S * 2/2018 Sato D12/604
 D810,668 S 2/2018 Cavro
 2008/0149237 A1 6/2008 Cambron

FOREIGN PATENT DOCUMENTS

FR 07/5041 11/2007
 FR 07/5041 11/2017

* cited by examiner

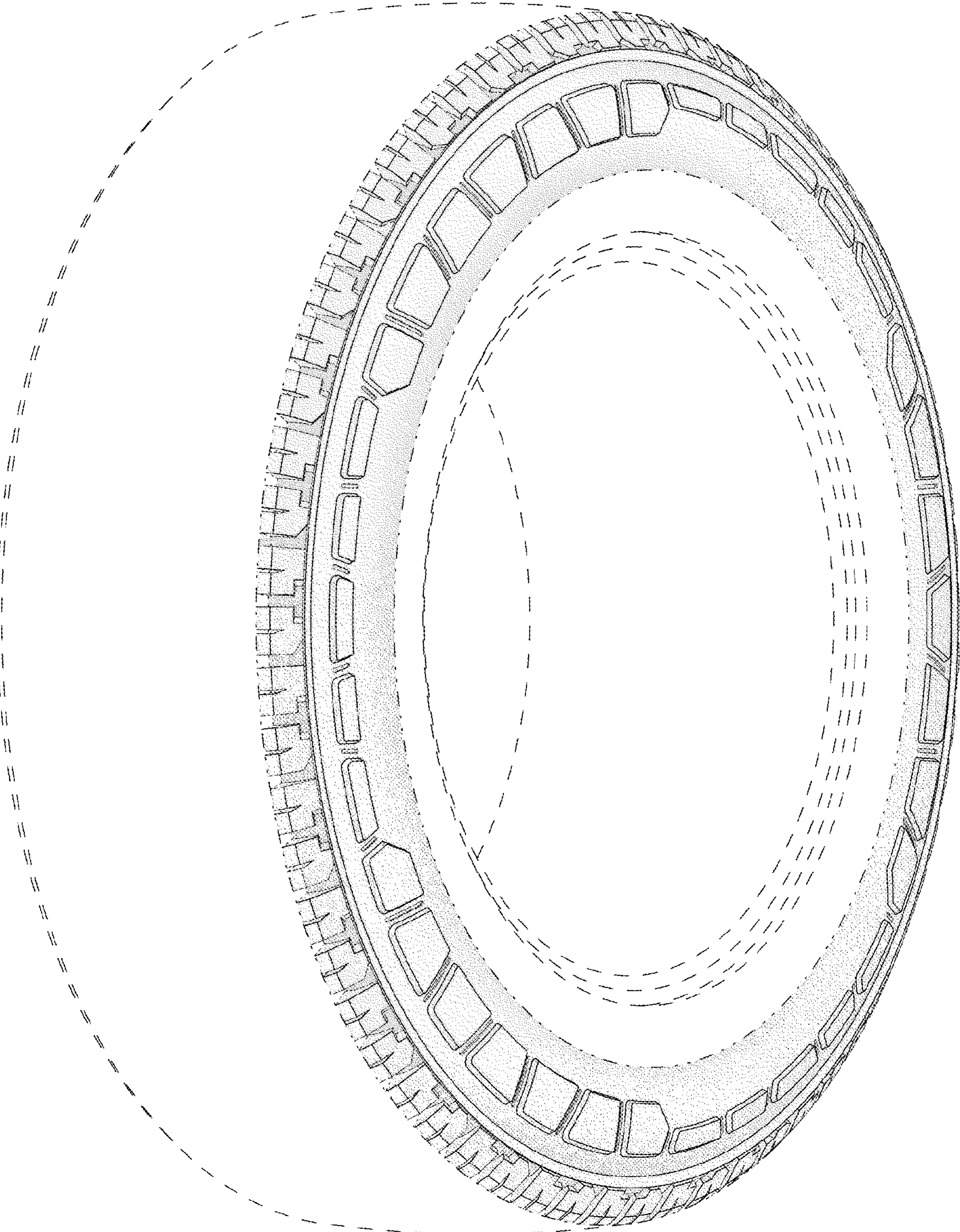


FIG. 1

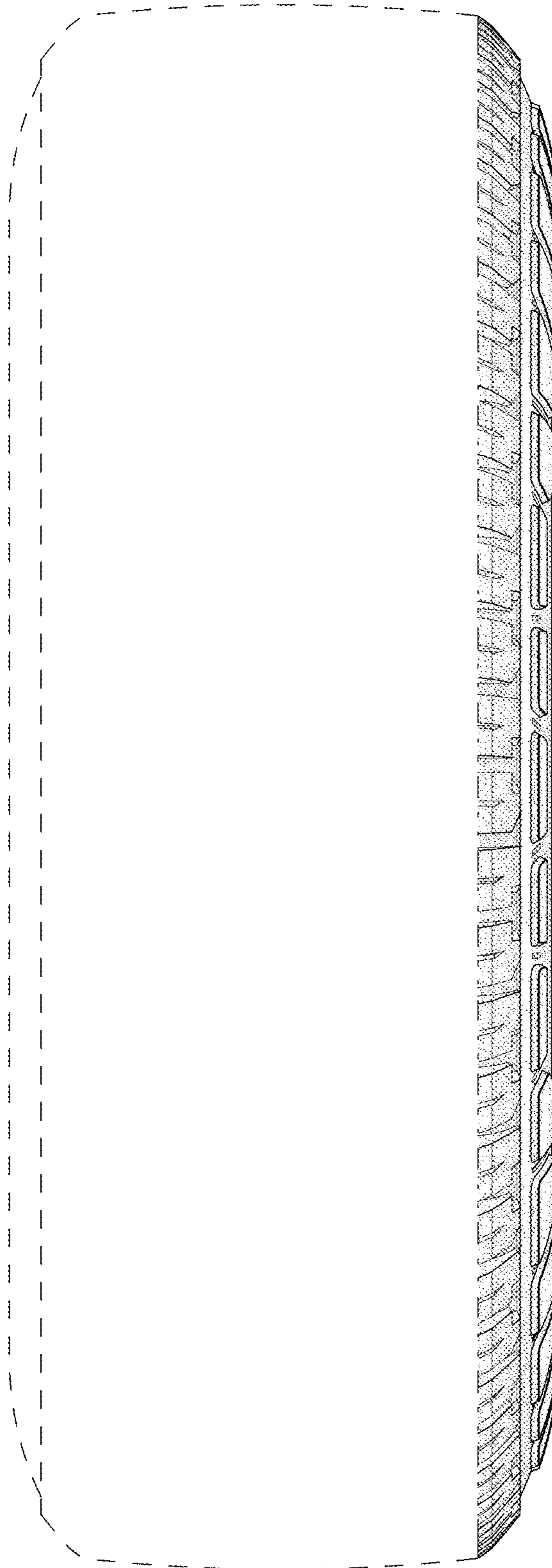


FIG. 2

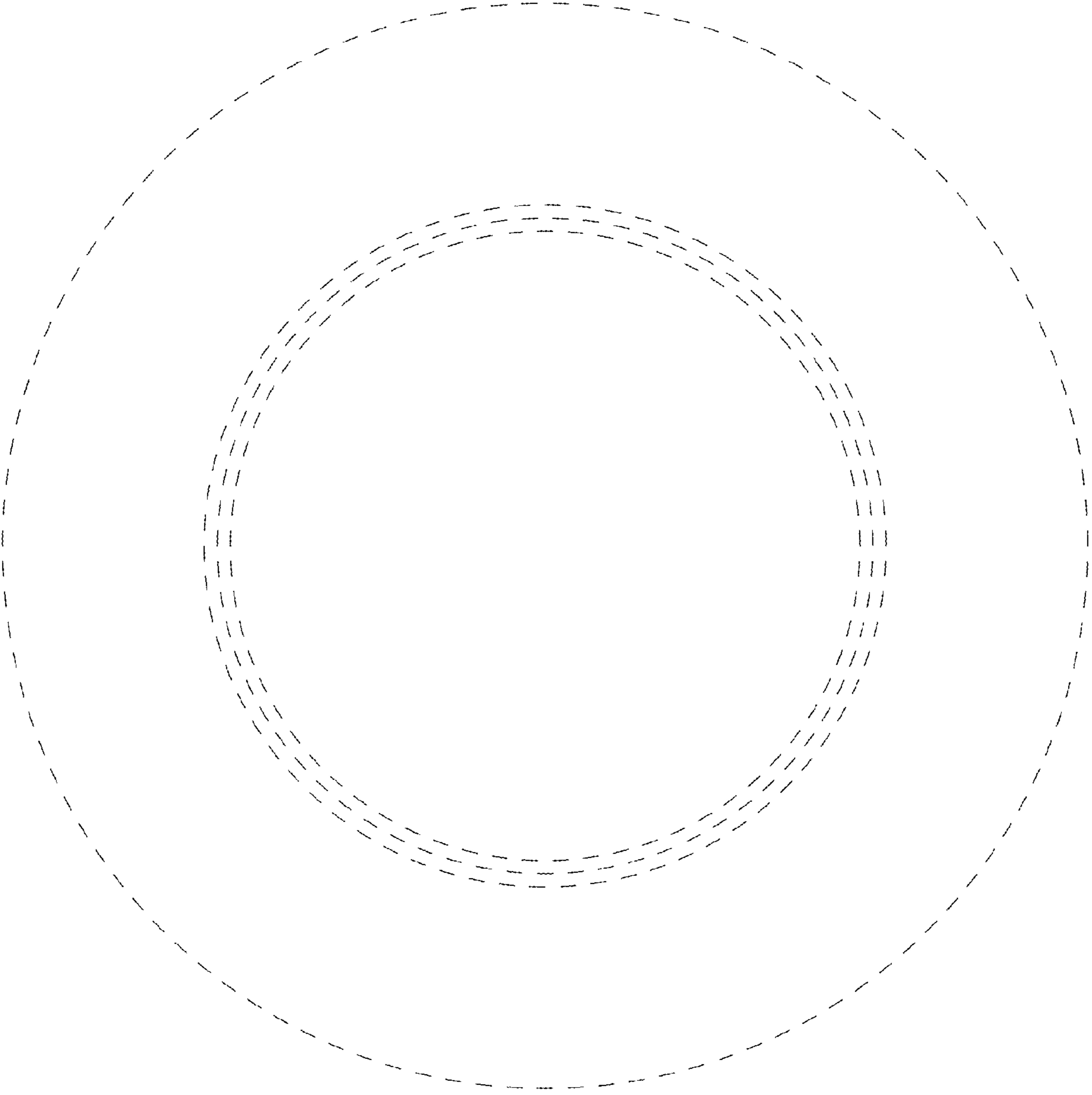


FIG. 3

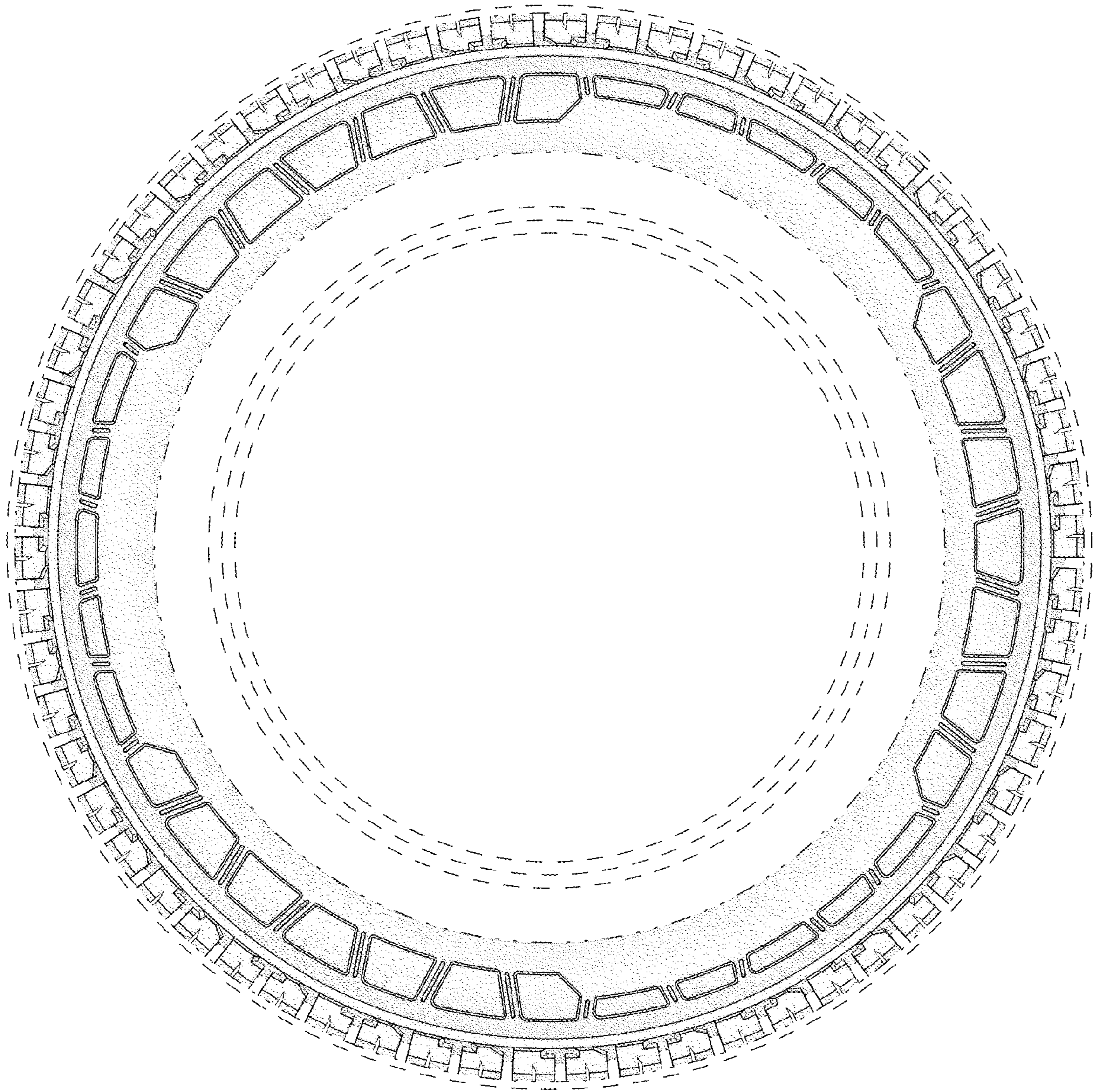


FIG. 4

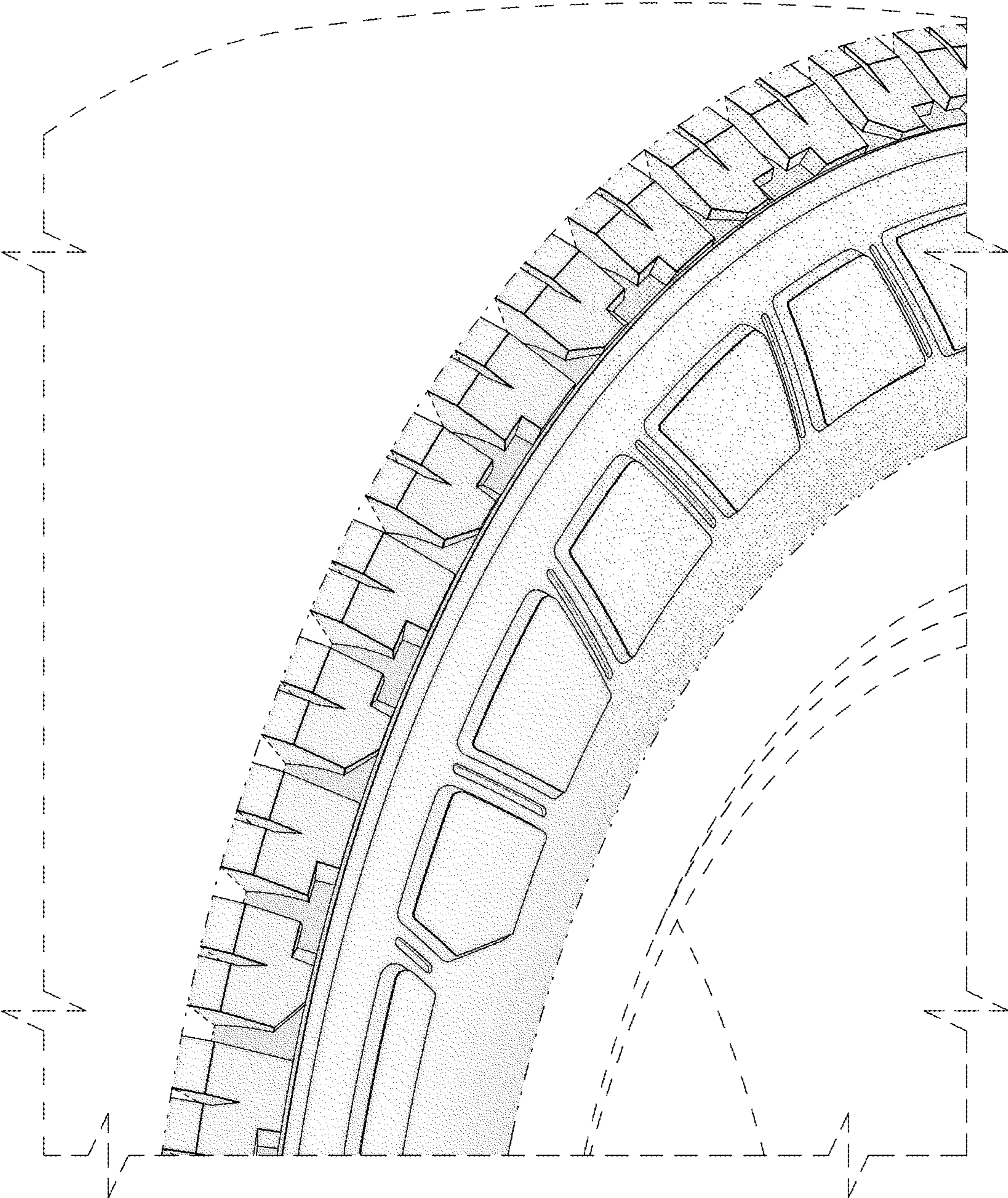


FIG. 5