



US00D883904S

(12) **United States Design Patent**
Matsumoto

(10) **Patent No.:** **US D883,904 S**

(45) **Date of Patent:** **** May 12, 2020**

(54) **AUTOMOBILE TIRE**

(71) Applicant: **THE YOKOHAMA RUBBER CO., LTD.**, Minato-ku, Tokyo (JP)

(72) Inventor: **Kenichi Matsumoto**, Hiratsuka (JP)

(73) Assignee: **THE YOKOHAMA RUBBER CO., LTD.**, Minato-ku, Tokyo (JP)

(**) Term: **15 Years**

(21) Appl. No.: **29/658,269**

(22) Filed: **Jul. 30, 2018**

(30) **Foreign Application Priority Data**

Jan. 30, 2018 (JP) 2018-001688

(51) **LOC (12) Cl.** **12-15**

(52) **U.S. Cl.**
USPC **D12/523**

(58) **Field of Classification Search**
USPC D12/500-532, 604
CPC Y10T 152/10027; B60C 1/0016; B60C 11/0306; B60C 11/0302; B60C 3/06; B60C 9/17
See application file for complete search history.

(56) **References Cited**

U.S. PATENT DOCUMENTS

D599,276 S * 9/2009 Fontaine D12/519
D601,939 S * 10/2009 Fontaine D12/519
D647,456 S * 10/2011 Behr D12/519
D728,453 S * 5/2015 Maxwell D12/523

D743,872 S * 11/2015 Huang D12/519
D765,019 S * 8/2016 Chen D12/523
D787,425 S * 5/2017 Kossi D12/523
D794,539 S * 8/2017 Bindner D12/523
D798,224 S * 9/2017 Zhang D12/209
D807,279 S * 1/2018 Hung D12/519
D823,233 S * 7/2018 Fontaine D12/519
D846,484 S * 4/2019 Raganella D12/523

* cited by examiner

Primary Examiner — Michael C Stout

Assistant Examiner — John A Voytek

(74) *Attorney, Agent, or Firm* — Banner & Witcoff, Ltd.

(57) **CLAIM**

The ornamental design for an automobile tire, as shown and described.

DESCRIPTION

FIG. 1 is a perspective view of an automobile tire showing my new design;
FIG. 2 is a front view thereof;
FIG. 3 is a rear view thereof;
FIG. 4 is a right side view thereof;
FIG. 5 is a left side view thereof;
FIG. 6 is a top view thereof;
FIG. 7 is a bottom view thereof;
FIG. 8 is an enlarged perspective view thereof taken at a portion defined by lines 8-8 shown in FIG. 1;
FIG. 9 is an enlarged view thereof taken at a portion defined by lines 9-9 shown in FIG. 2; and,
FIG. 10 is a cross sectional view thereof taken at a portion defined by lines 10-10 shown in FIG. 9.

In the drawings, the broken lines depict environmental subject matter only and form no part of the claimed design.

1 Claim, 10 Drawing Sheets

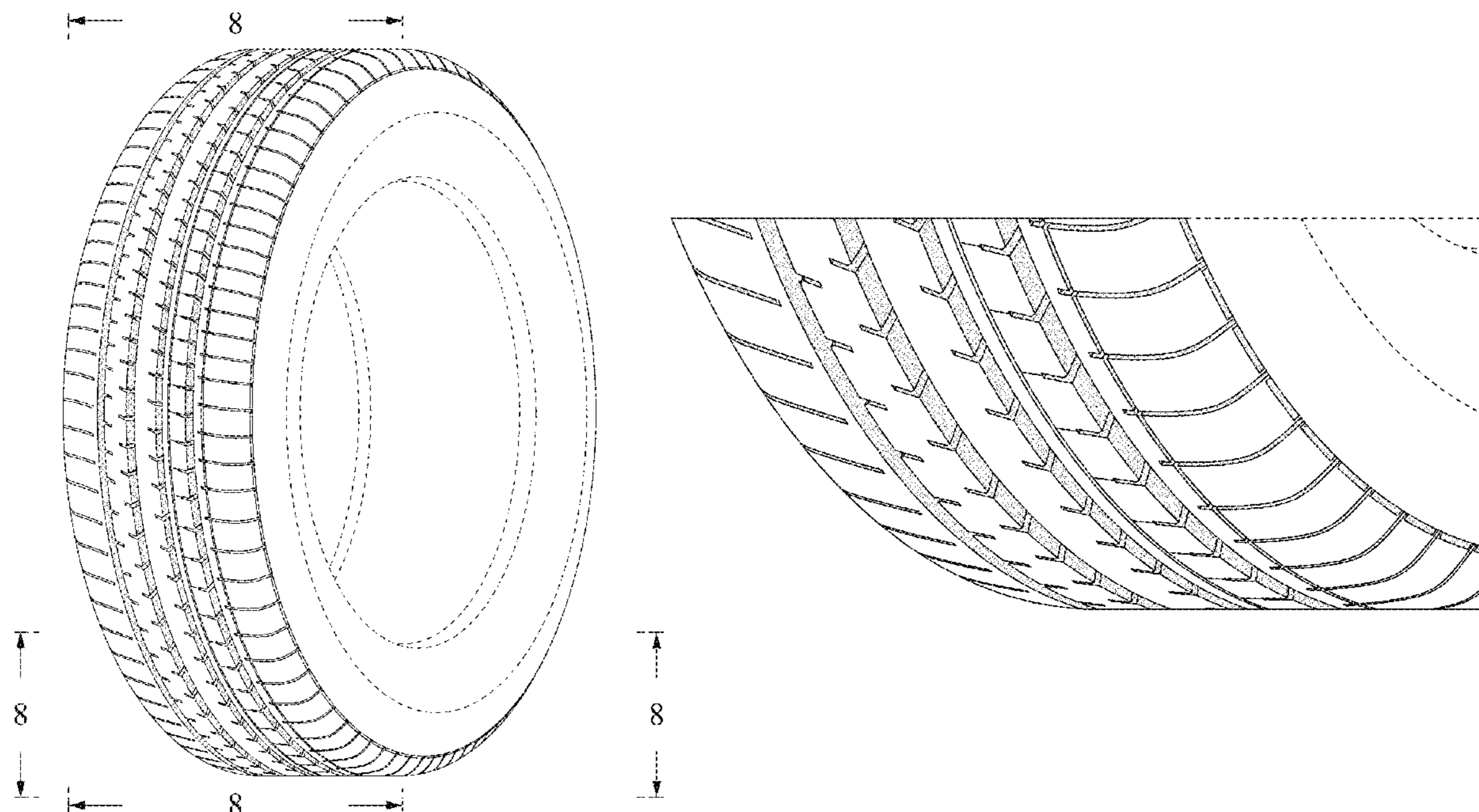


FIG. 1

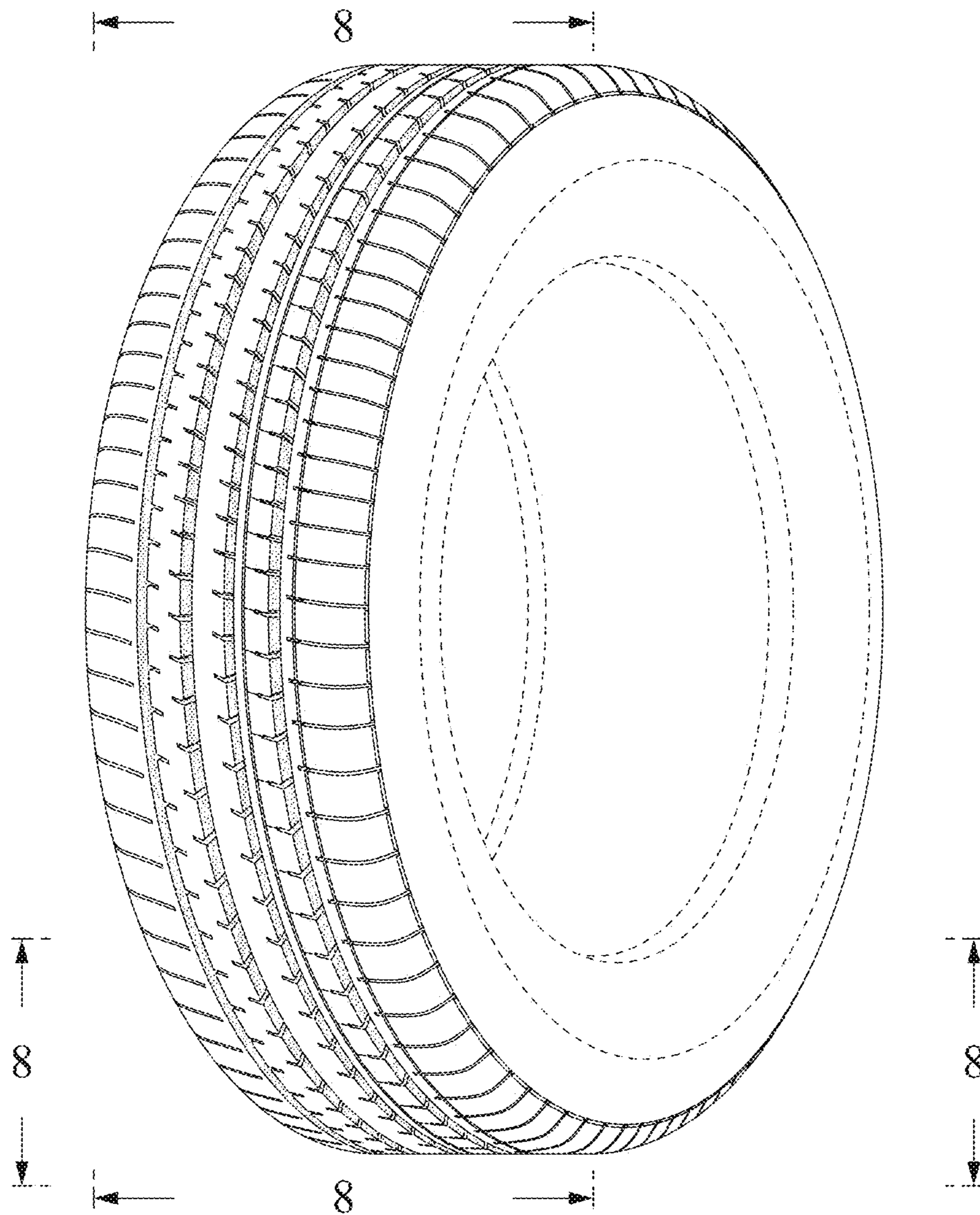


FIG. 2

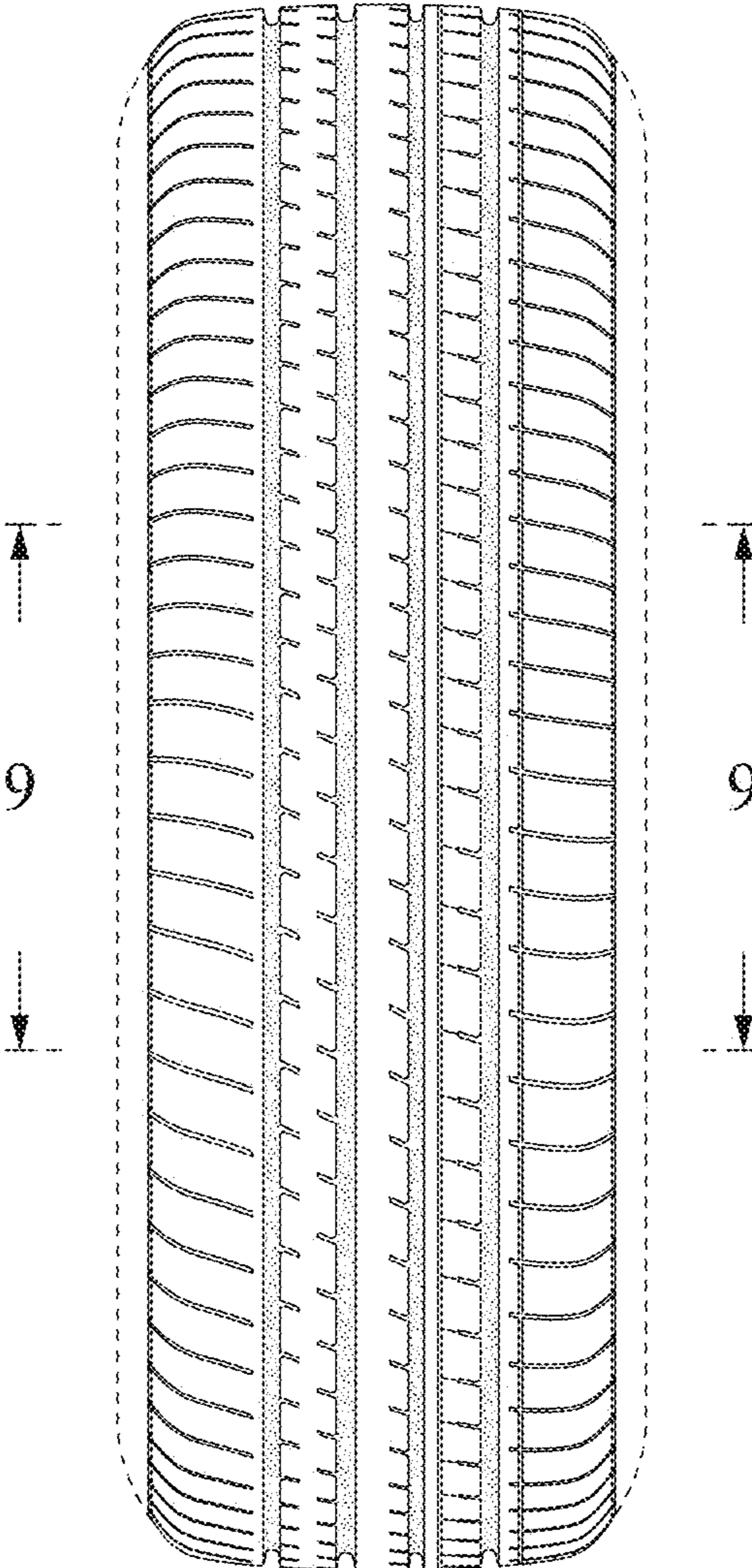


FIG. 3

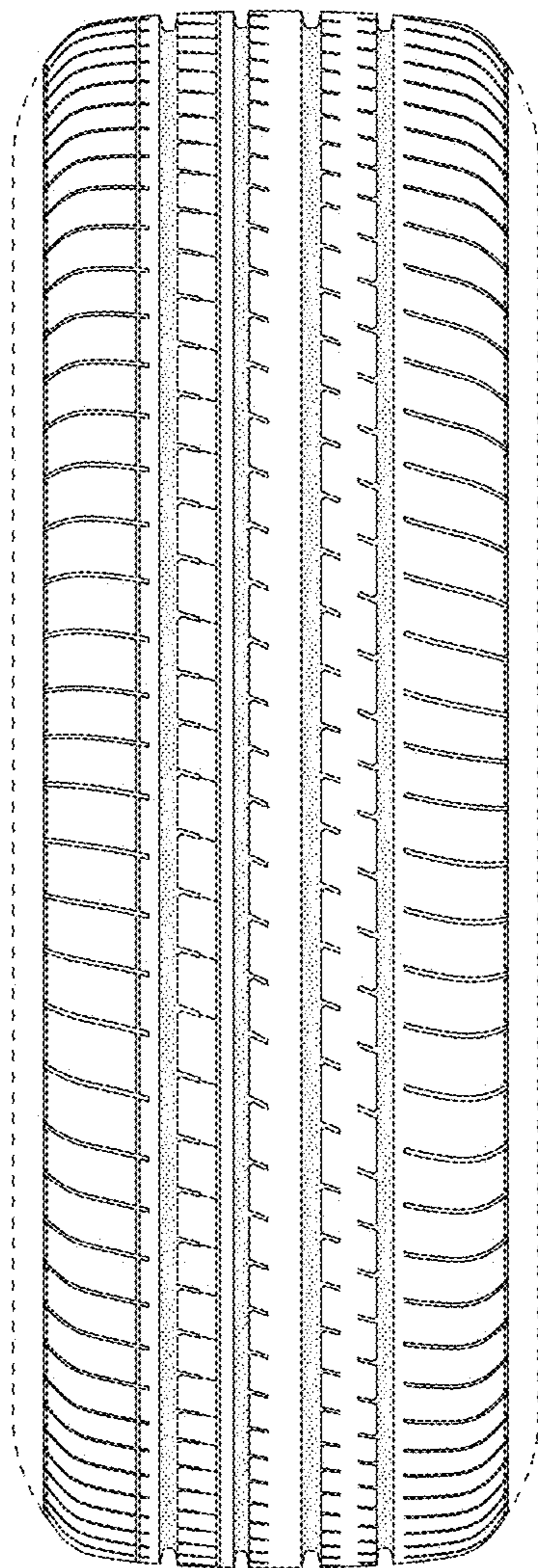


FIG. 4

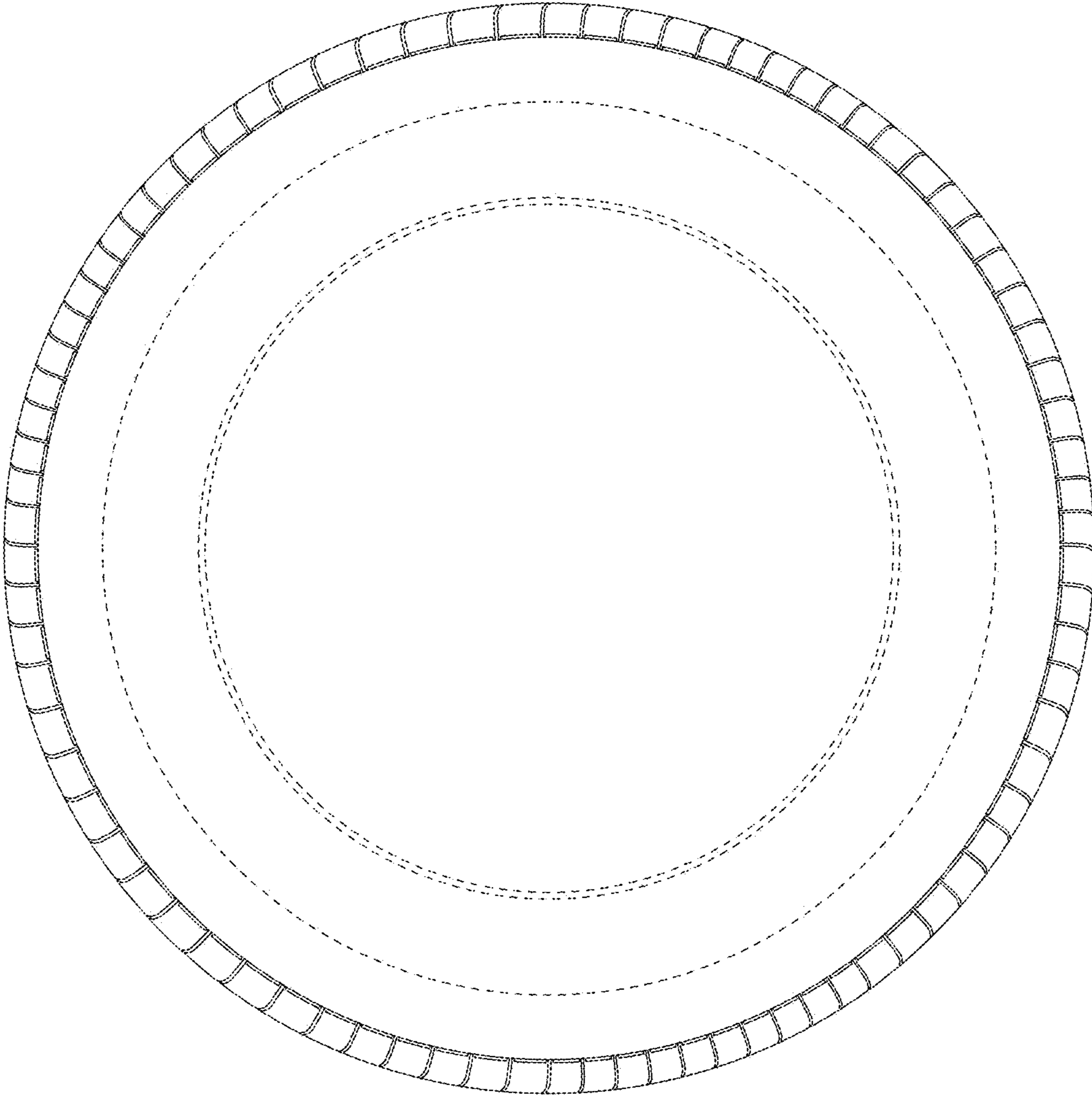


FIG. 5

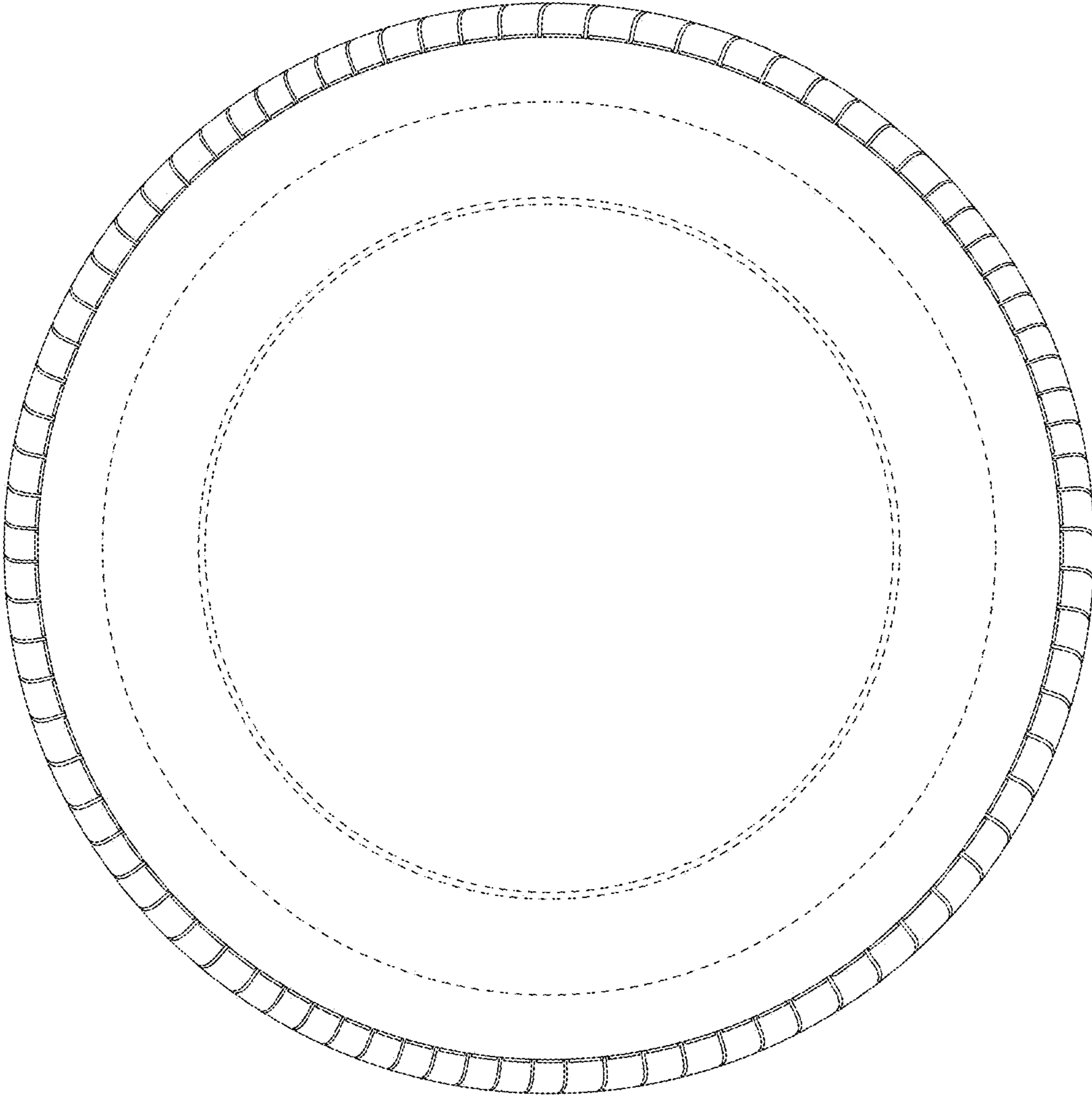


FIG. 6

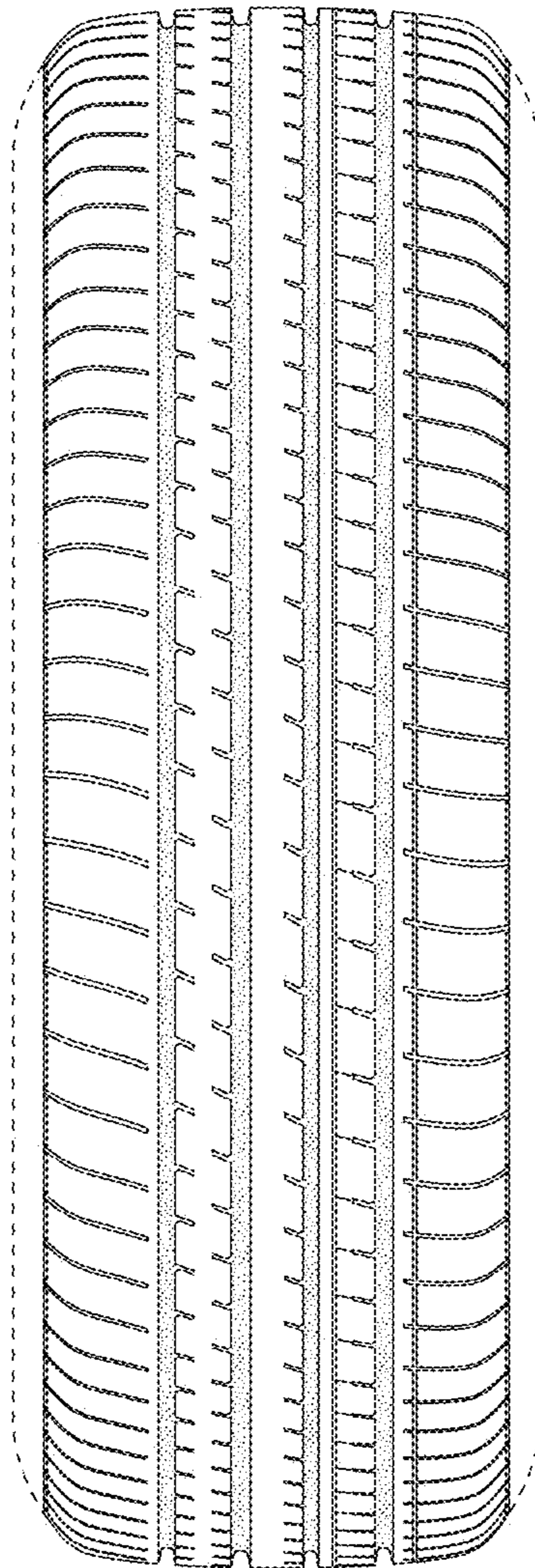


FIG. 7

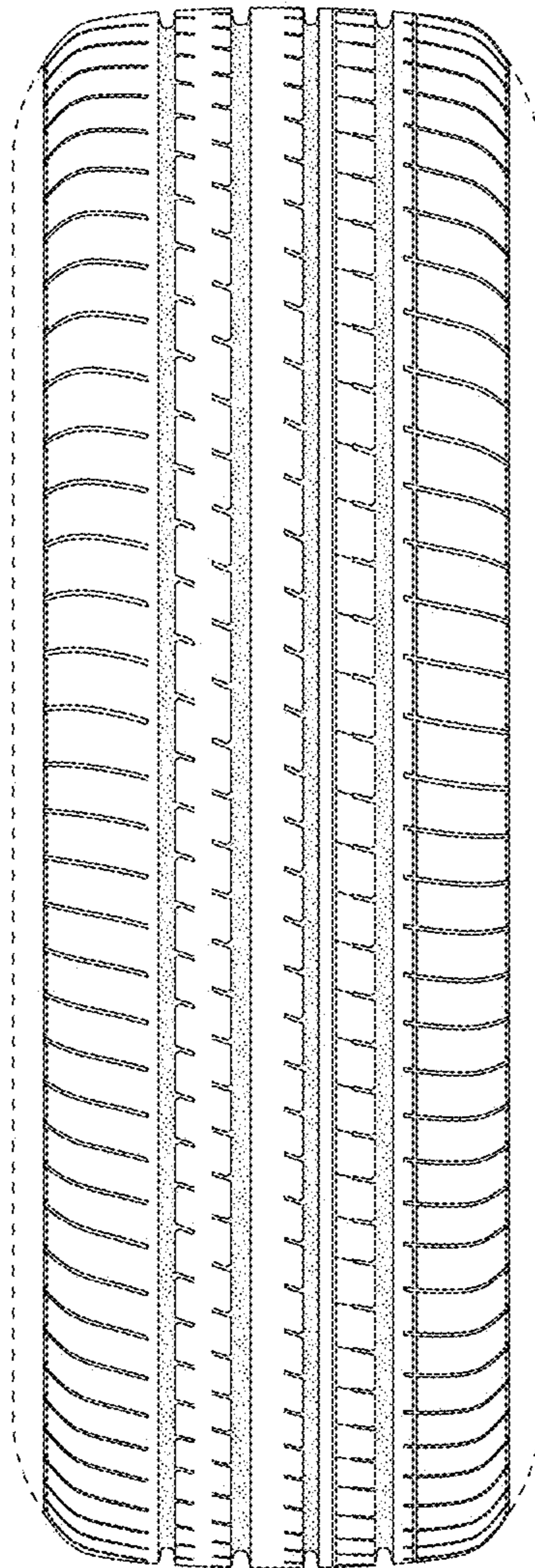


FIG. 8

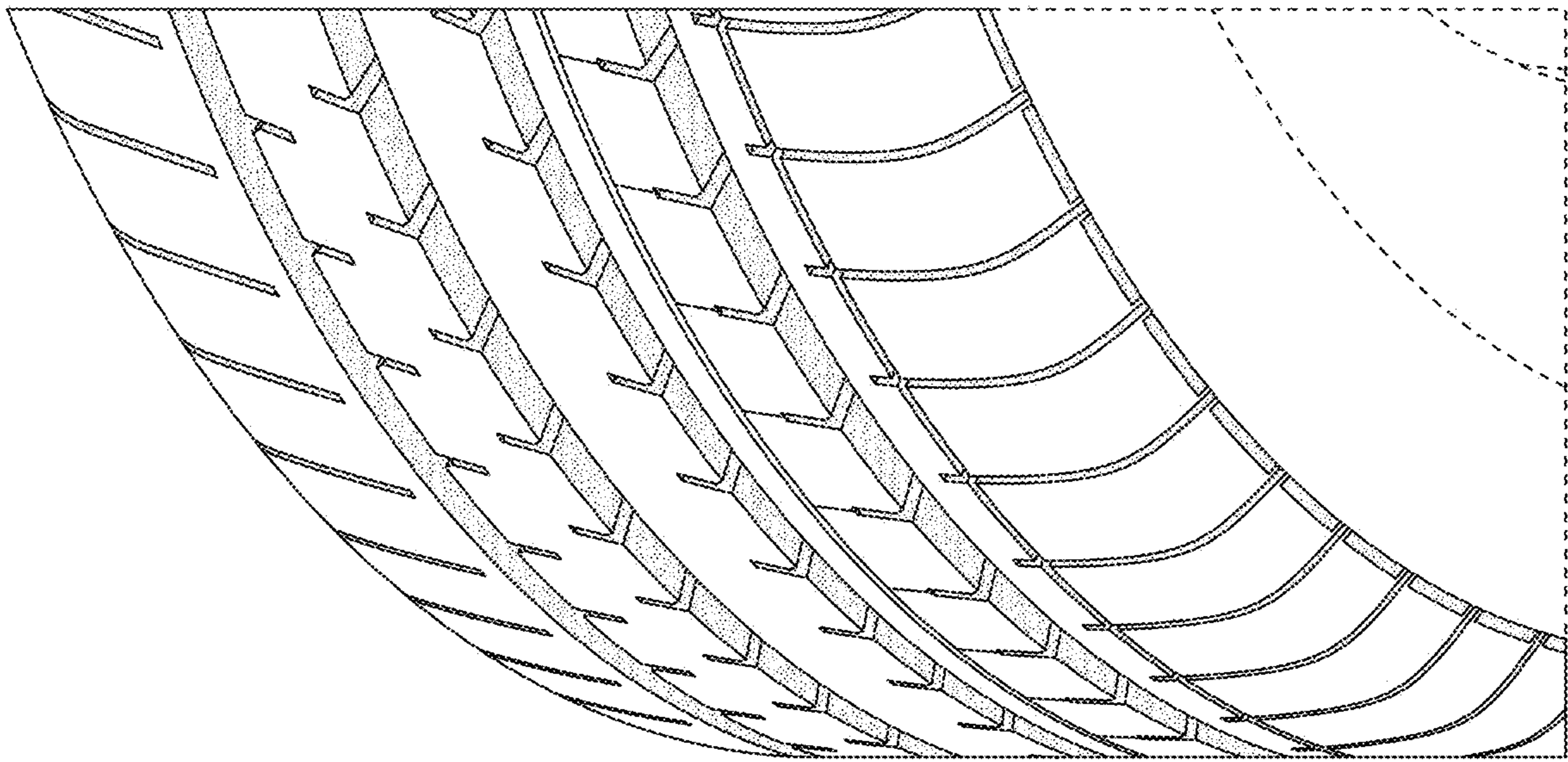


FIG. 9

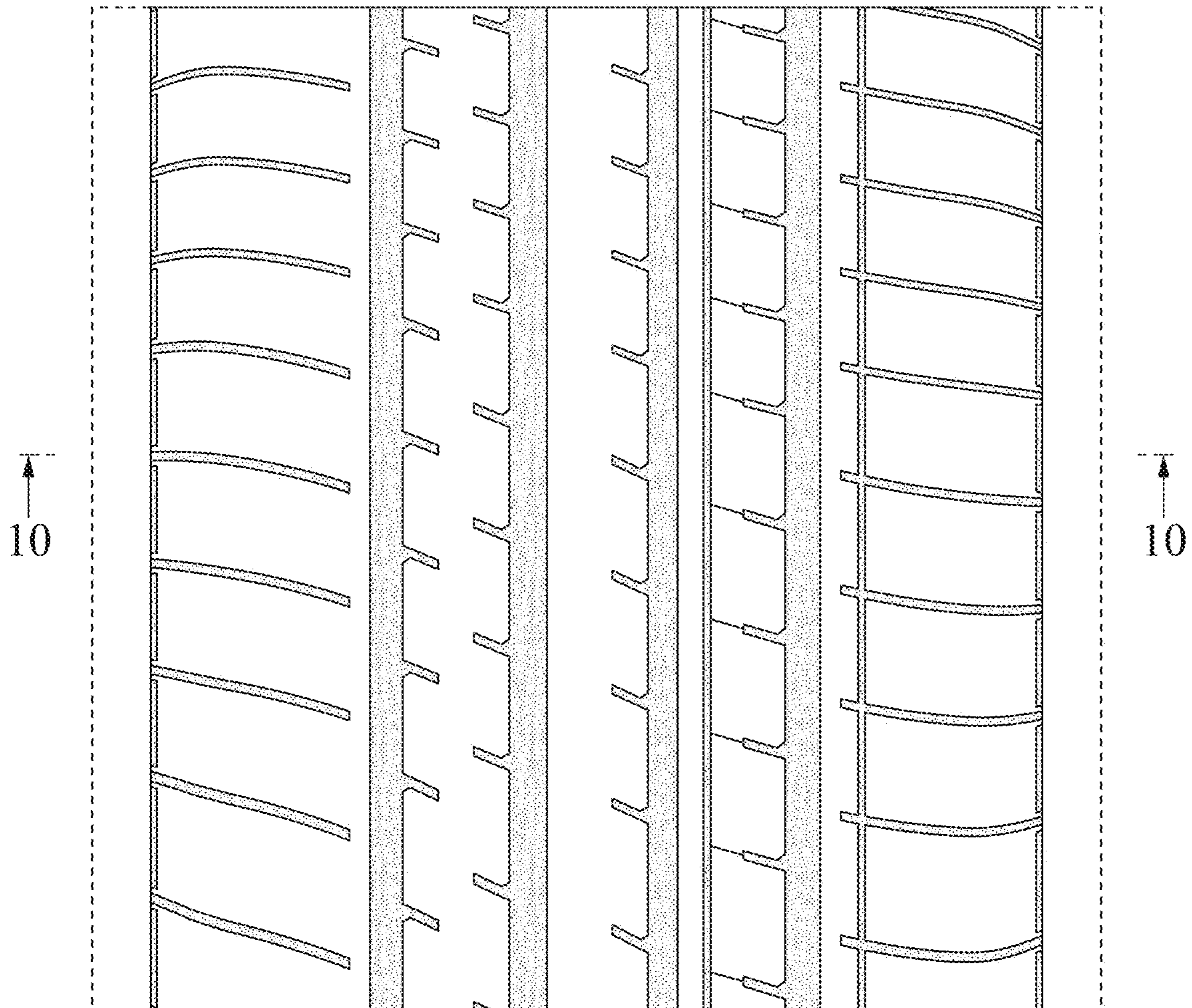


FIG. 10

