



US00D883901S

(12) **United States Design Patent**
McMurrin

(10) **Patent No.:** **US D883,901 S**

(45) **Date of Patent:** **** May 12, 2020**

(54) **ARM REST TOTE**

(71) Applicant: **Larry McMurrin**, Leesburg, FL (US)

(72) Inventor: **Larry McMurrin**, Leesburg, FL (US)

(**) Term: **15 Years**

(21) Appl. No.: **29/659,165**

(22) Filed: **Aug. 7, 2018**

(51) **LOC (12) Cl.** **12-16**

(52) **U.S. Cl.**
USPC **D12/419**; D12/416

(58) **Field of Classification Search**
USPC D3/272, 273, 274, 276, 288, 905;
D6/512, 685, 686, 691, 704, 707.19,
D6/406.1, 406.2, 406.3, 406.4, 406.5,
D6/406.6; D7/545, 550.1, 552.2, 554.3,
D7/553.1-553.5, 619.1, 620, 701, 708;
248/311.2; 296/37.1, 37.8; 224/42.11,
224/400, 401, 429; 108/44; D12/409,
D12/410, 415, 416, 423, 419, 425, 426.1
CPC B60R 7/00; A45C 2009/005; A45C 5/00;
A45C 5/08
See application file for complete search history.

(56) **References Cited**

U.S. PATENT DOCUMENTS

5,106,003	A *	4/1992	Ma	B60N 3/002
					108/44
5,148,755	A *	9/1992	Morales	A47B 23/02
					108/46
D338,574	S *	8/1993	Schroeder	D12/400
D340,339	S *	10/1993	Kean	D12/425
D358,956	S *	6/1995	Mitjans	D6/716.2
D360,183	S *	7/1995	Girandola	D12/425
D415,995	S *	11/1999	Kanehl, Jr.	D12/416
D423,271	S *	4/2000	Brock	D6/610
D427,139	S *	6/2000	Noval	D12/419
D474,733	S *	5/2003	Webb	D12/419
D484,843	S *	1/2004	Wyszogrod	D12/419

D519,441	S *	4/2006	Lee	D12/419
D526,810	S *	8/2006	Lorr	D6/406.5
D588,520	S *	3/2009	Stewart	D12/415
D591,560	S *	5/2009	Lackey	D12/419
D638,636	S *	5/2011	Chauss	D6/406.3
D649,663	S *	11/2011	Tarter	D25/199
D653,873	S *	2/2012	Chauss	D6/406.3
D710,550	S *	8/2014	Elliott	D30/133
D754,988	S *	5/2016	Fountain, Jr.	D6/406.3

(Continued)

OTHER PUBLICATIONS

Miolo Universal Car Armrest Cover, Amazon.com, Date First Available: Jul. 11, 2019, [online], [site visited Oct. 11, 2019]. <URL: https://www.amazon.com/dp/B07V2GS5YK/ref=psdc_15710131_t2_B07W96BKC�> (Year: 2019).*

(Continued)

Primary Examiner — T Chase Nelson
Assistant Examiner — Jonathan J. Han
(74) *Attorney, Agent, or Firm* — Sanchelima & Associates, P.A.; Christian Sanchelima; Jesus Sanchelima

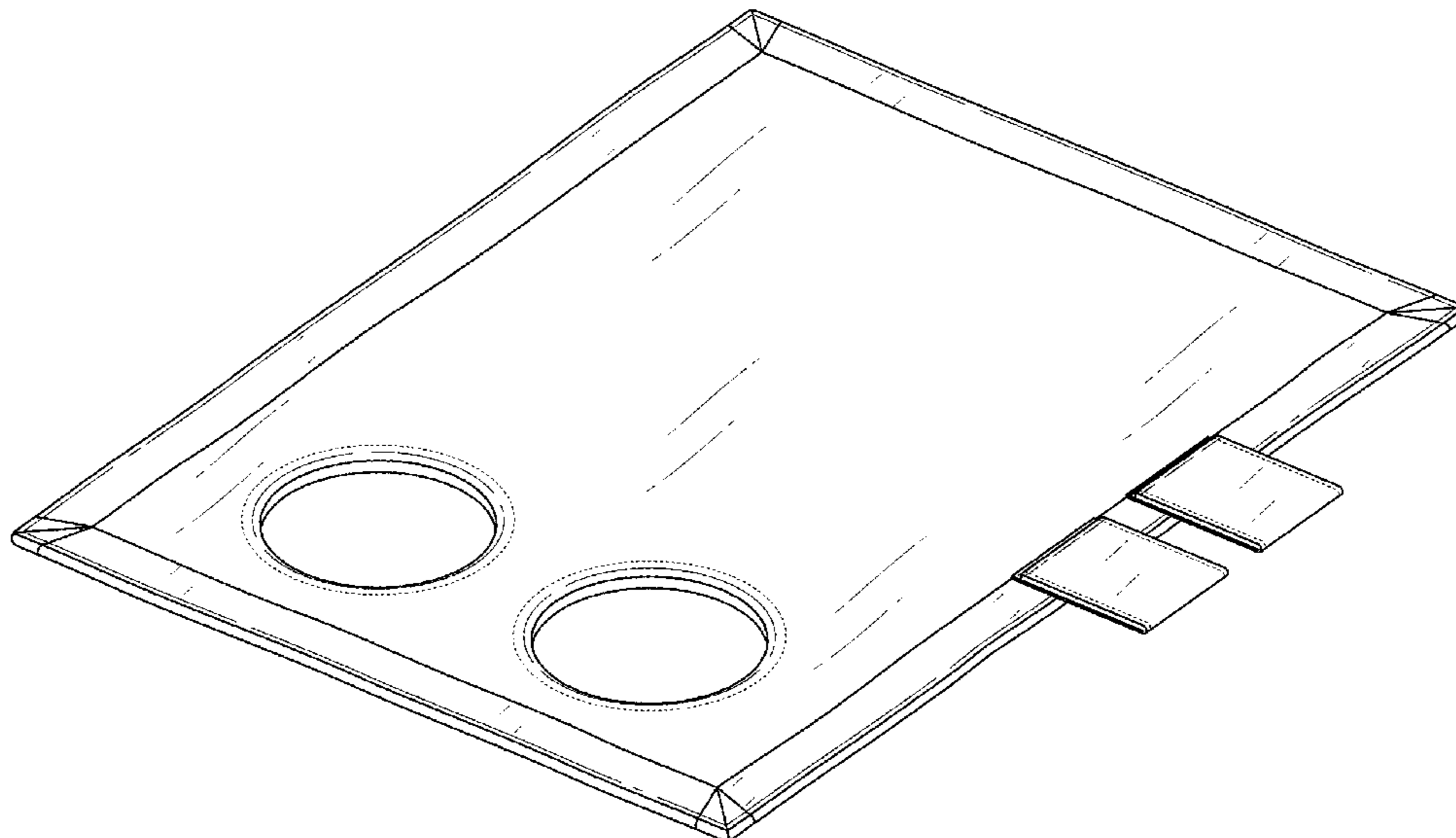
(57) **CLAIM**

The ornamental design for arm rest tote, as shown and described.

DESCRIPTION

FIG. 1 is an isometric view of a arm rest tote showing my new design;
FIG. 2 is a front view thereof;
FIG. 3 is a rear view thereof;
FIG. 4 is a left side view thereof;
FIG. 5 is a right side view thereof;
FIG. 6 is a top view thereof; and,
FIG. 7 is a bottom view thereof.
The broken lines in the figure views depict stitching, which forms no part of the claimed design.

1 Claim, 4 Drawing Sheets



(56)

References Cited

U.S. PATENT DOCUMENTS

D784,015	S	*	4/2017	Woodhouse	D3/276
D785,406	S	*	5/2017	Wansink	D7/553.2
D789,919	S	*	6/2017	Hoshikawa	D14/250
D793,799	S	*	8/2017	Dunne	D7/354
D795,789	S	*	8/2017	Ehtesham	D12/425
D796,908	S	*	9/2017	Dennis	D7/553.2
D835,457	S	*	12/2018	Sedgwick	D7/392.1
D848,757	S	*	5/2019	Kelly	D6/406.3
D851,434	S	*	6/2019	Visger	D6/707.19
D858,205	S	*	9/2019	Manos	D7/553.8

OTHER PUBLICATIONS

Wheelchair Armrest Pouch Organizer Bag for Side of Chair, Amazon.com, [online], [site visited Oct. 11, 2019]. <URL: <https://www.amazon.com/Wheelchair-Armrest-Organizer-Accessories-Electric/dp/B07B9LHJNG>> (Year: 2019).*

Sofa Arm Tray Placemat Sofa Tray Table, Etsy.com, [online], [site visited Oct. 11, 2019]. <URL: <https://www.etsy.com/il-en/listing/511077490/sofa-arm-tray-placemat-sofa-tray-table>> (Year: 2019).*

* cited by examiner

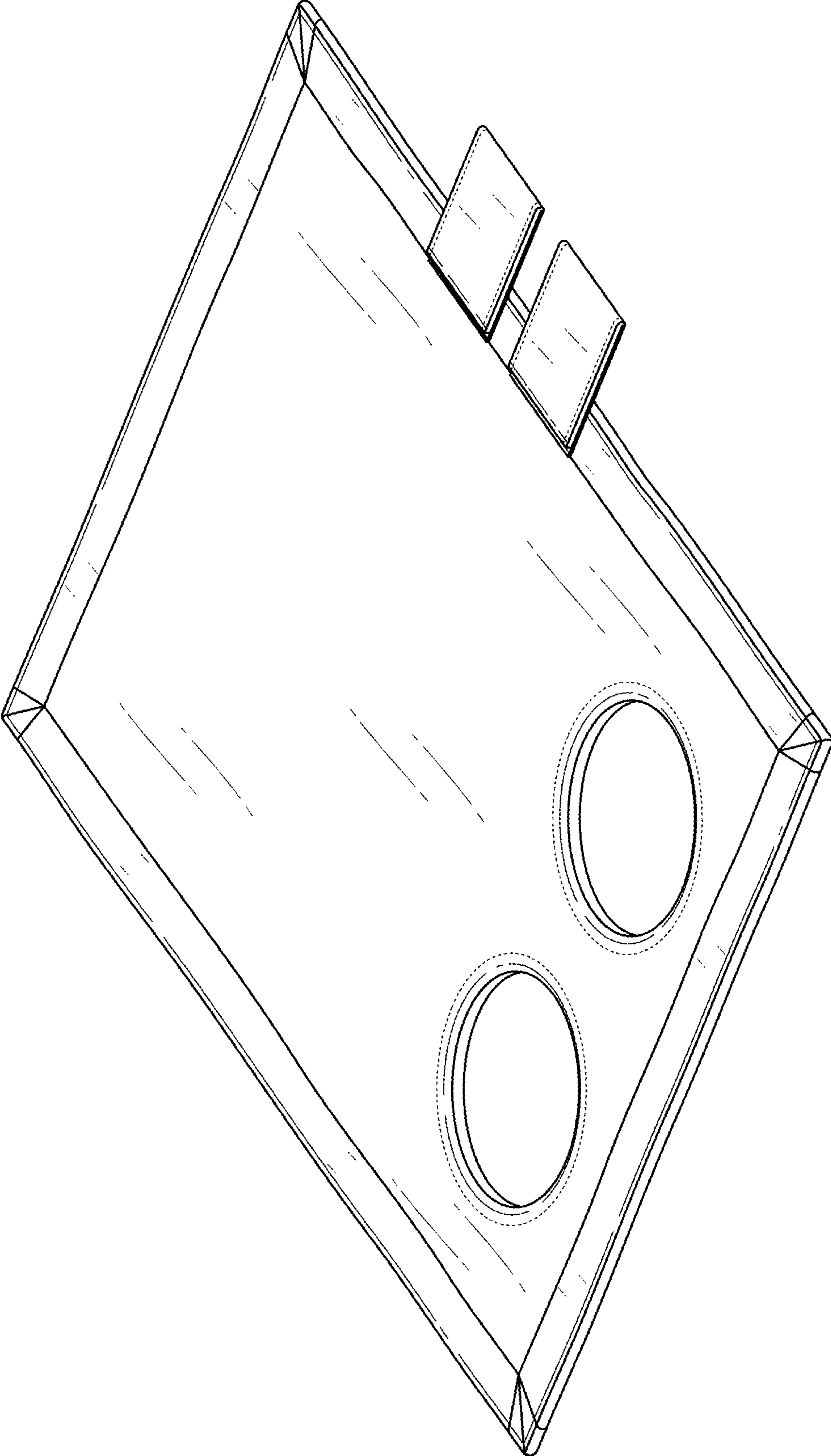


FIG. 1

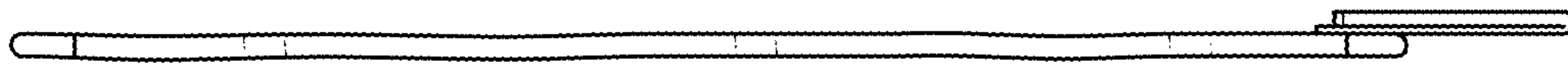


FIG. 2

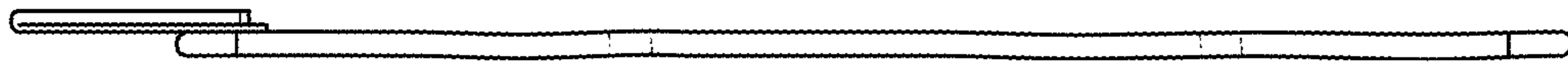


FIG. 3

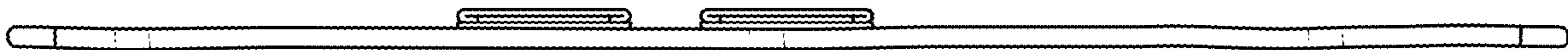


FIG. 4

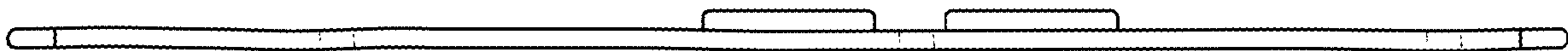


FIG. 5

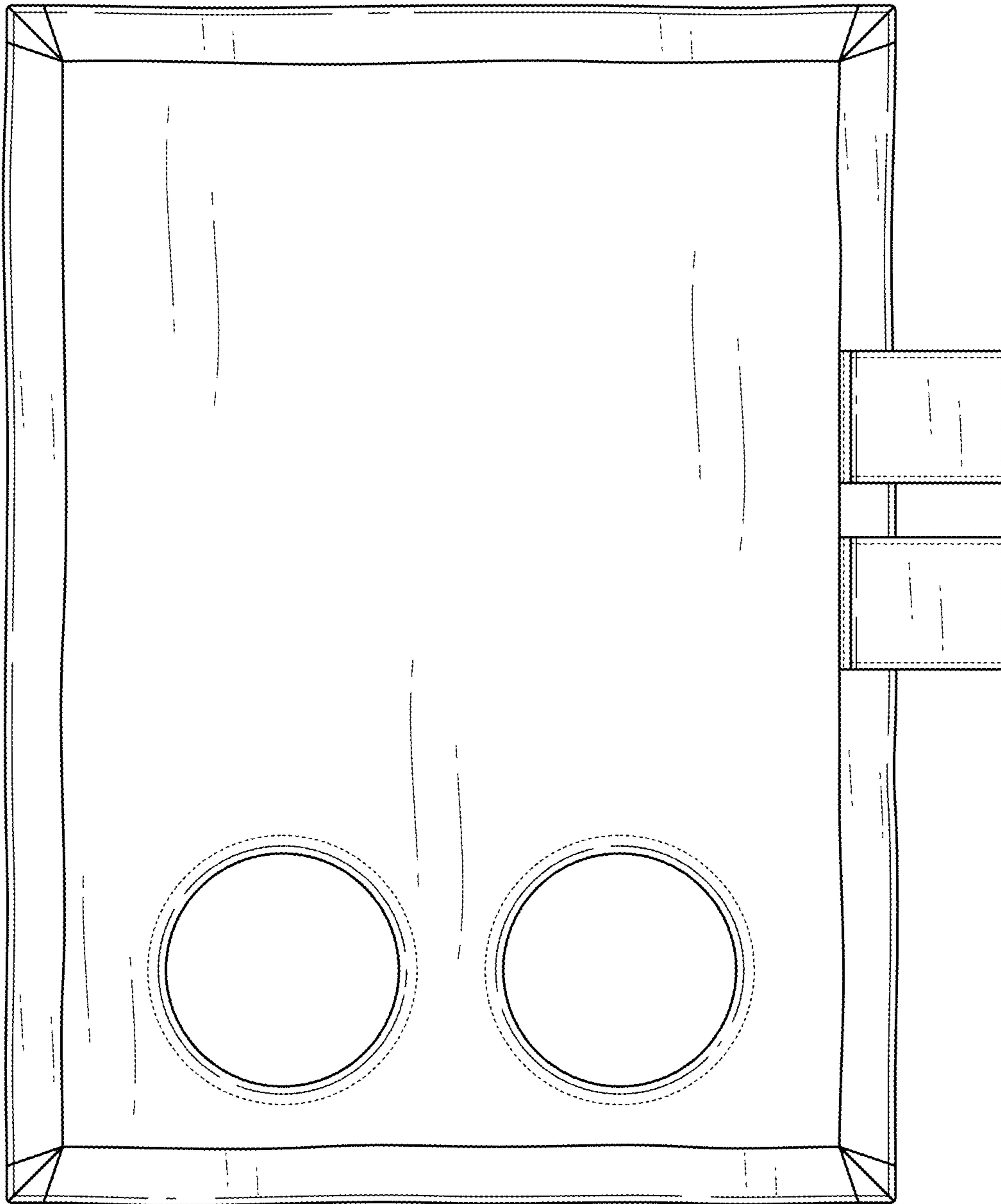


FIG. 6

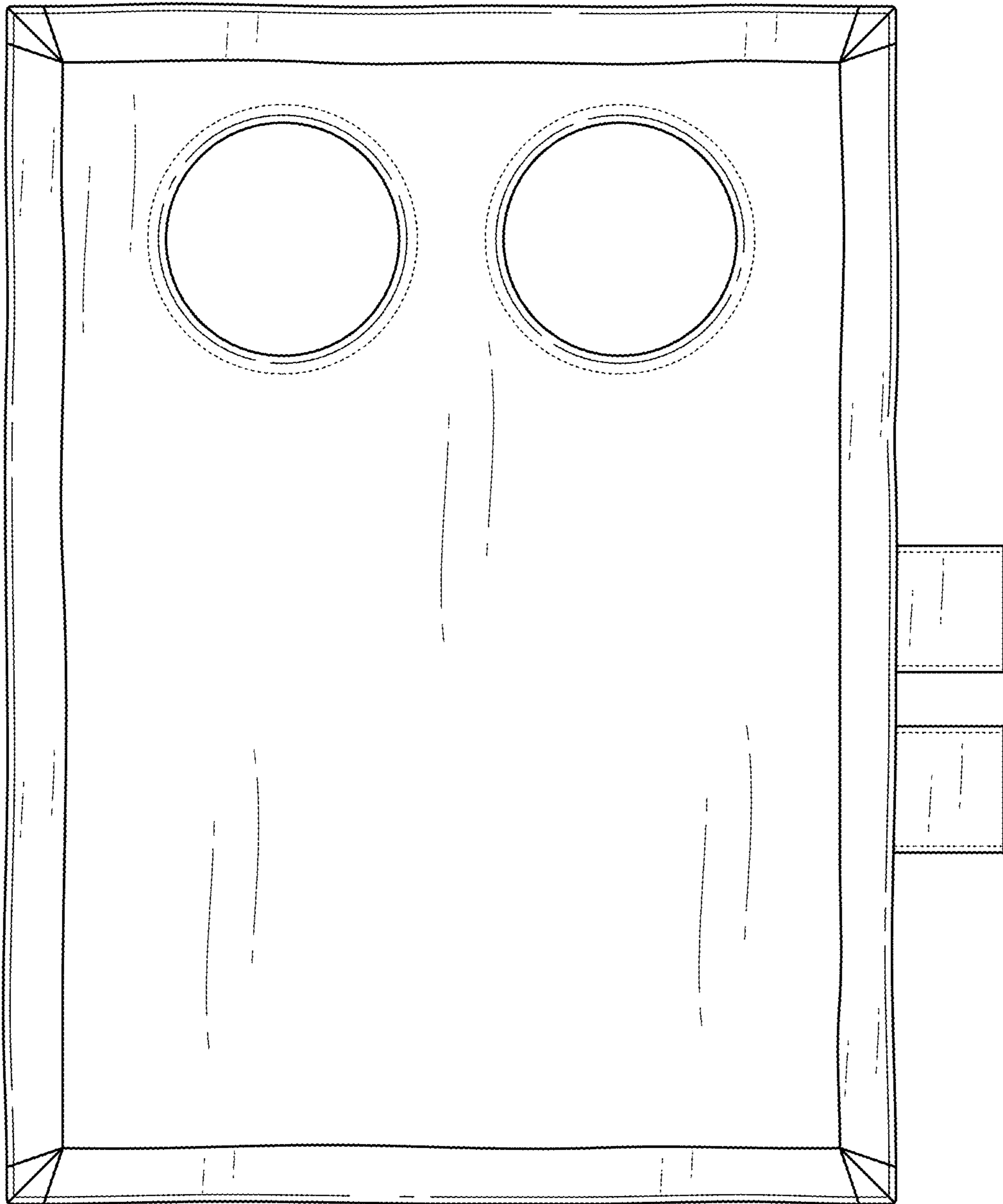


FIG. 7