



US00D883900S

(12) **United States Design Patent** (10) **Patent No.:** **US D883,900 S**
Annus et al. (45) **Date of Patent:** **** May 12, 2020**

(54) **CUP HOLDER**

(71) Applicant: **STARSHIP TECHNOLOGIES OÜ**,
Tallinn (EE)

(72) Inventors: **Sylvia-Johanna Annus**, Tallinn
Harjumaa (EE); **Piret Uustal**, Tallinn
Harjumaa (EE)

(73) Assignee: **STARSHIP TECHNOLOGIES OÜ**,
Tallinn (EE)

(**) Term: **15 Years**

(21) Appl. No.: **29/644,479**

(22) Filed: **Apr. 18, 2018**

(51) **LOC (12) Cl.** **12-16**

(52) **U.S. Cl.**
USPC **D12/419**

(58) **Field of Classification Search**
USPC D12/415-426.1
CPC B64D 11/06; F16M 11/12; F16M 11/10
See application file for complete search history.

(56) **References Cited**

U.S. PATENT DOCUMENTS

D317,998 S *	7/1991	Sanford	D7/701
D320,331 S *	10/1991	Paone	D7/620
10,328,835 B1 *	6/2019	Meyer	B60N 3/107
D865,646 S *	11/2019	Patten	D12/419
D867,827 S *	11/2019	Greengrass	D7/619.1
10,479,252 B2 *	11/2019	Agresti	B60N 3/101
D868,547 S *	12/2019	Moore	D7/620
D869,247 S *	12/2019	Topping	D7/619.1

D869,910 S *	12/2019	Ye	D7/619.1
2019/0193618 A1 *	6/2019	Medoro	B60N 3/108
2019/0225132 A1 *	7/2019	Ortega Rojo	A47G 23/0208
2019/0263310 A1 *	8/2019	Yumura	B60N 3/105

* cited by examiner

Primary Examiner — Katrina A Betton
(74) *Attorney, Agent, or Firm* — Cantor Colburn LLP

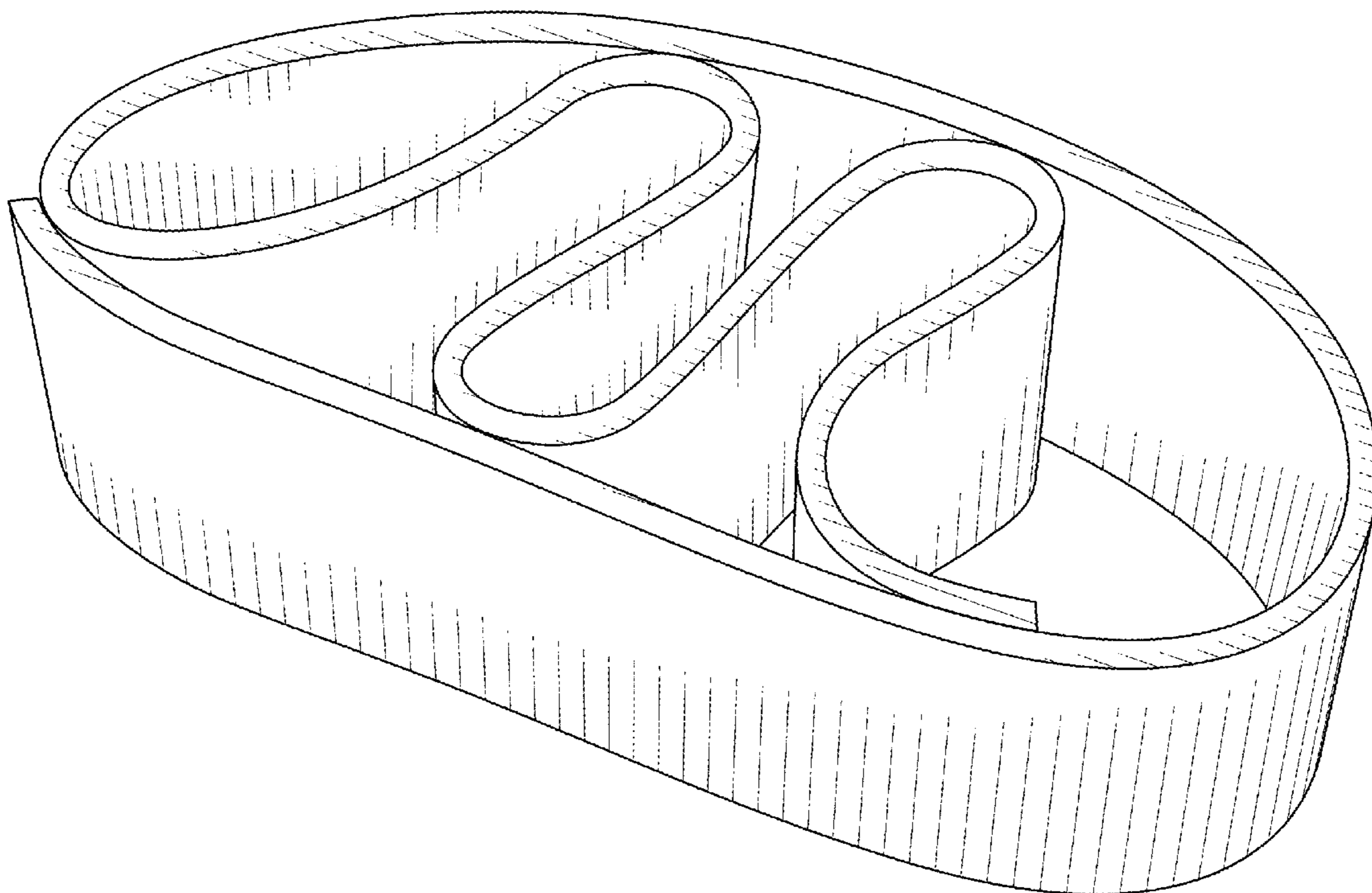
(57) **CLAIM**

We claim, the ornamental design for a cup holder, as shown and described.

DESCRIPTION

FIG. 1 is a front perspective view of a cup holder, showing our new design;
 FIG. 2 is a front elevation view thereof;
 FIG. 3 is a rear elevation view thereof;
 FIG. 4 is a side elevation view thereof, taken from the left of FIG. 2;
 FIG. 5 is a side elevation view thereof, taken from the right of FIG. 2;
 FIG. 6 is a top plan view thereof;
 FIG. 7 is a bottom plan view thereof;
 FIG. 8 is another perspective view thereof illustrating a cup disclosed therein;
 FIG. 9 is another perspective view thereof illustrating a cup disclosed therein;
 FIG. 10 is another perspective view thereof illustrating a cup disclosed therein; and,
 FIG. 11 is another perspective view thereof illustrating cups disclosed therein.
 Where portions shown in broken lines are disclaimed and form no part of the claimed design.

1 Claim, 9 Drawing Sheets



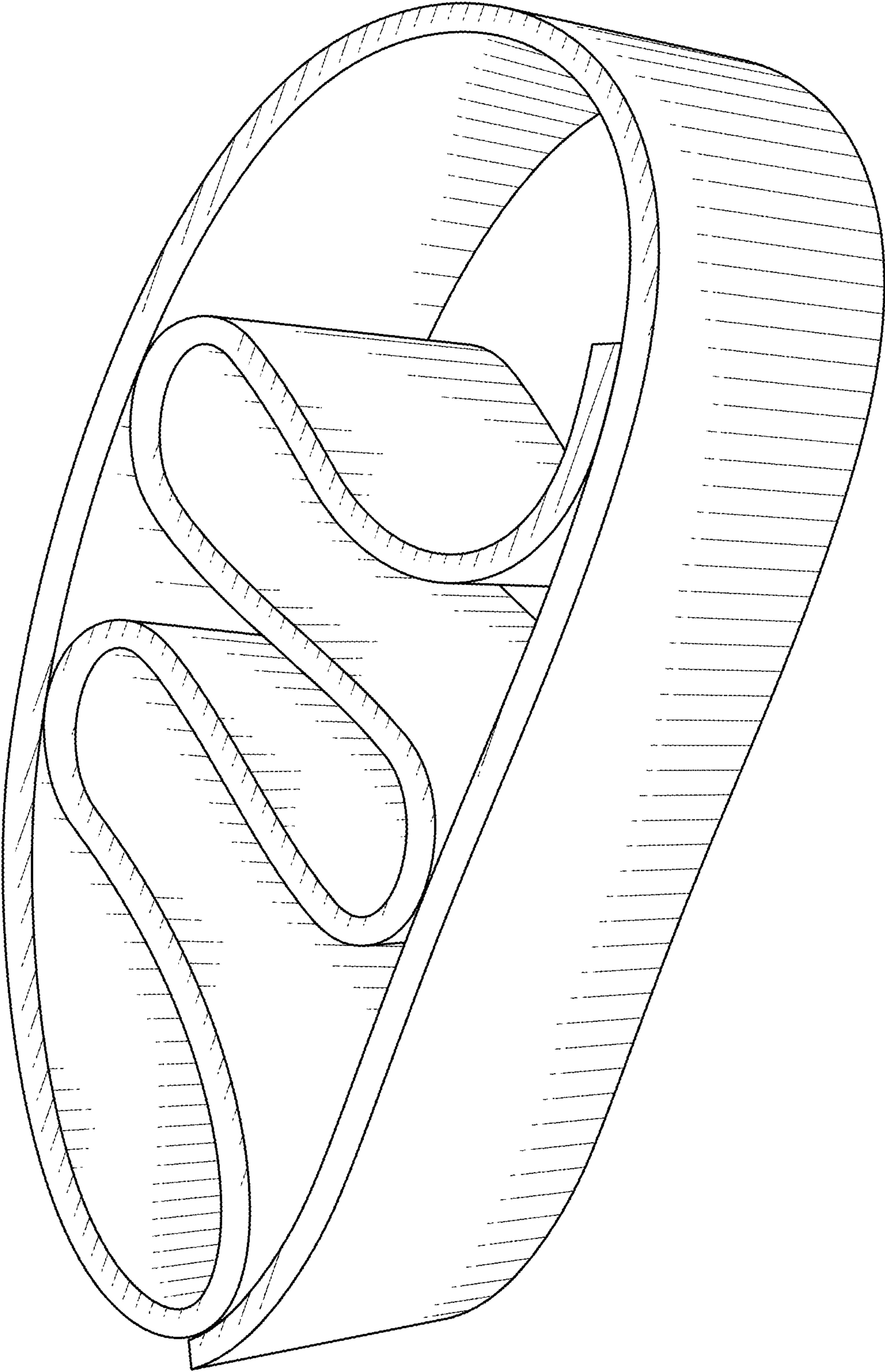


FIG. 1

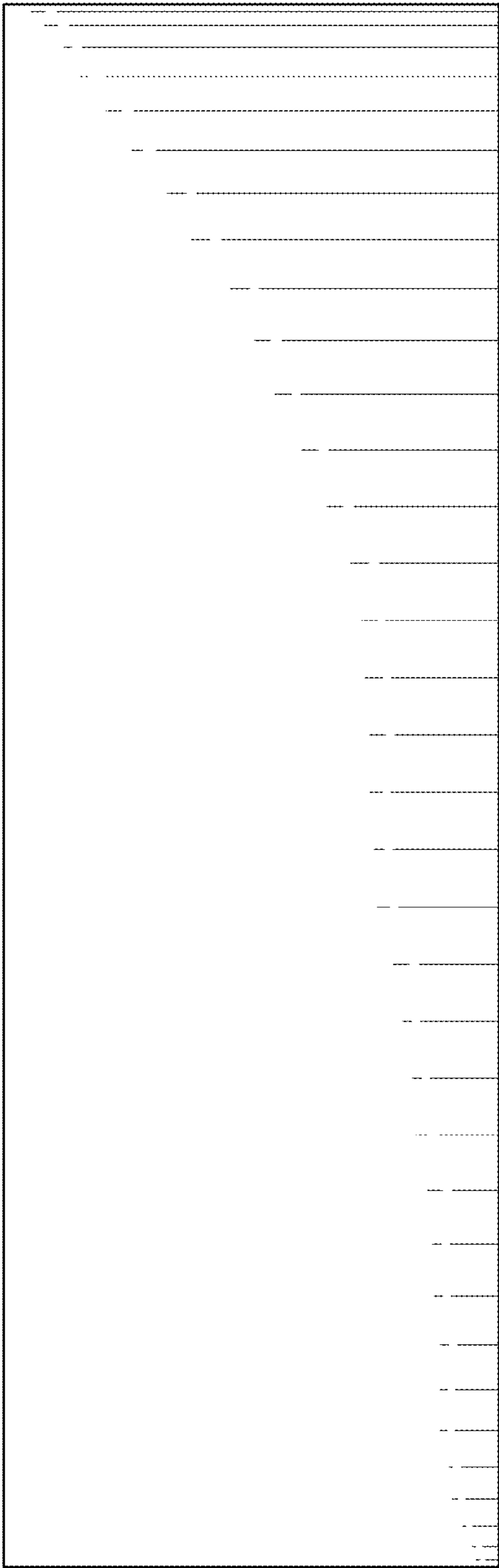


FIG. 2

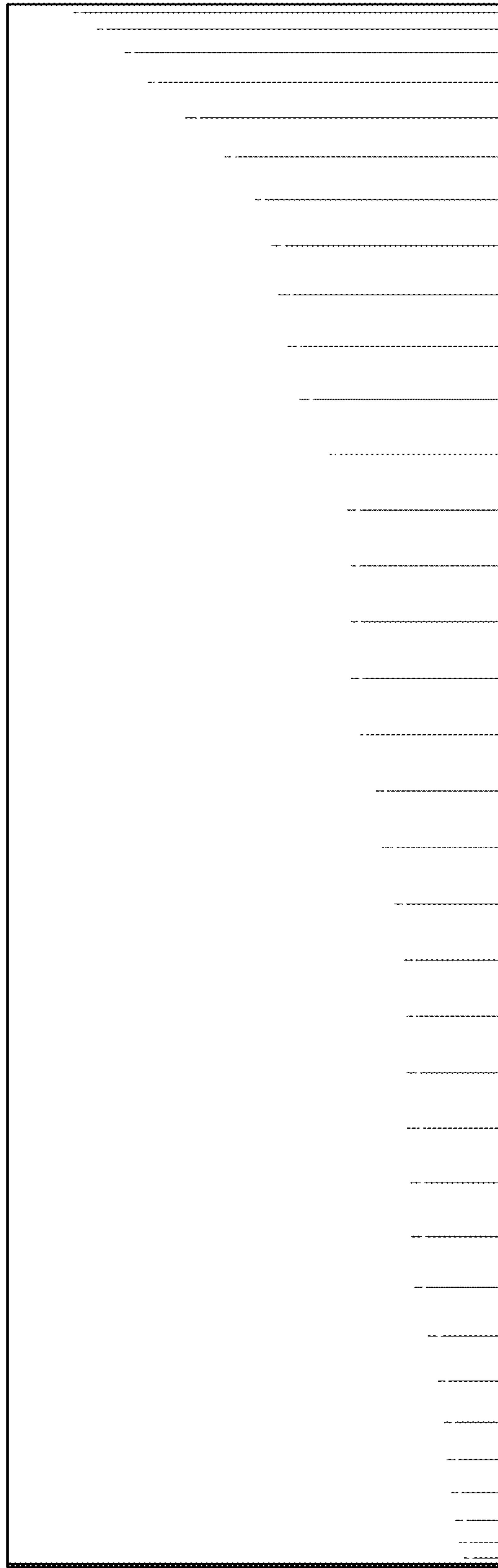


FIG. 3

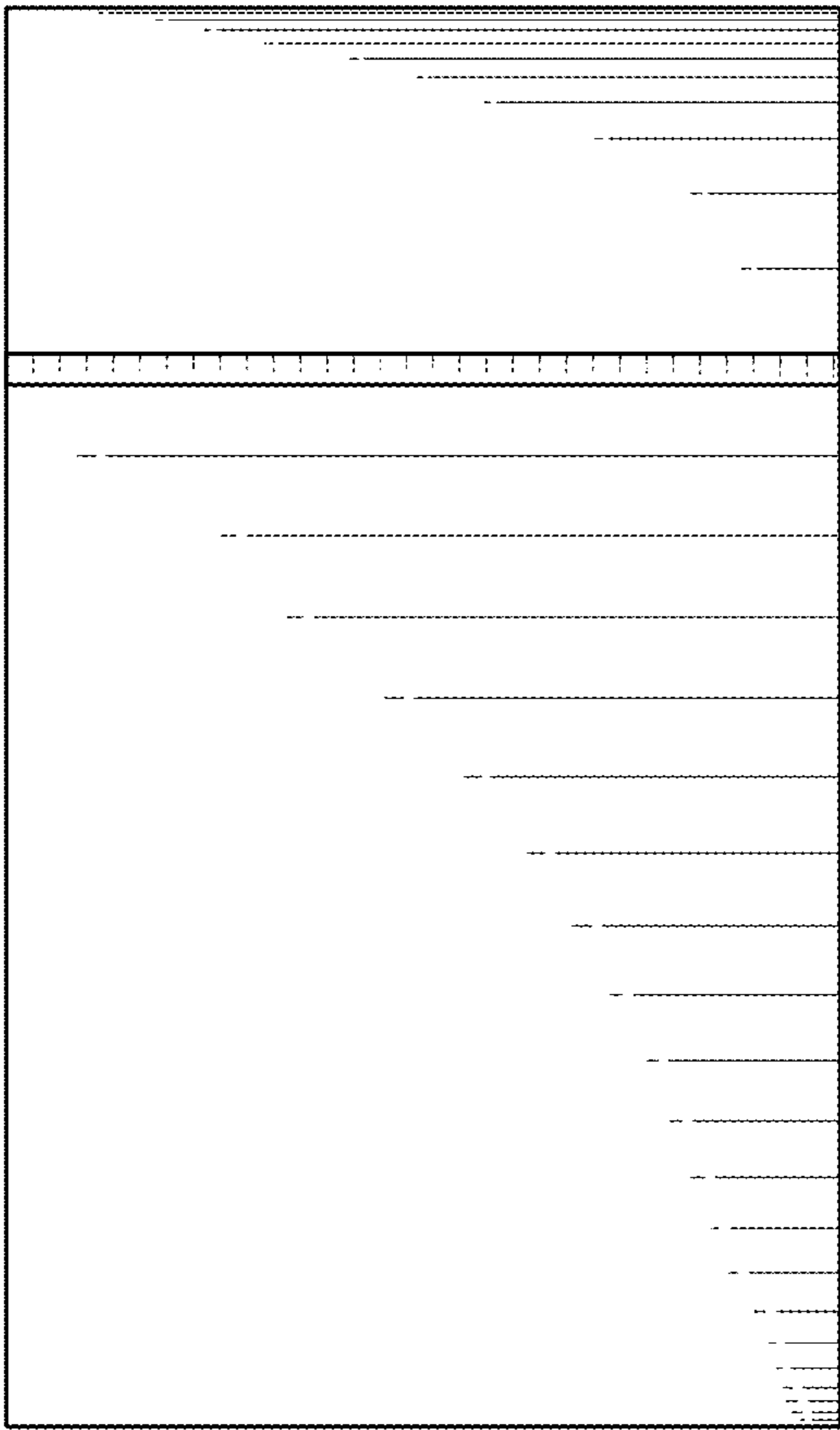


FIG. 4

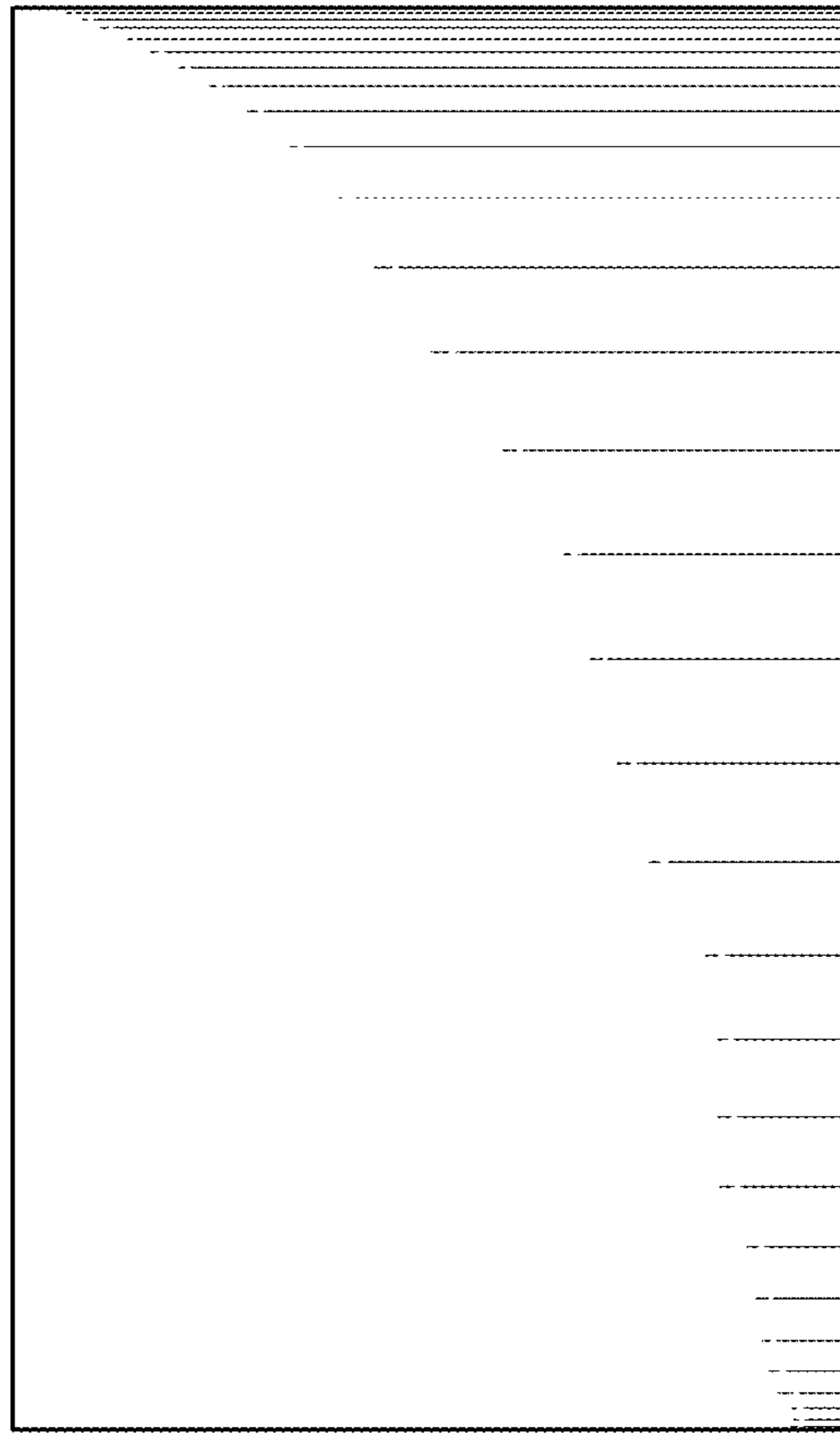


FIG. 5

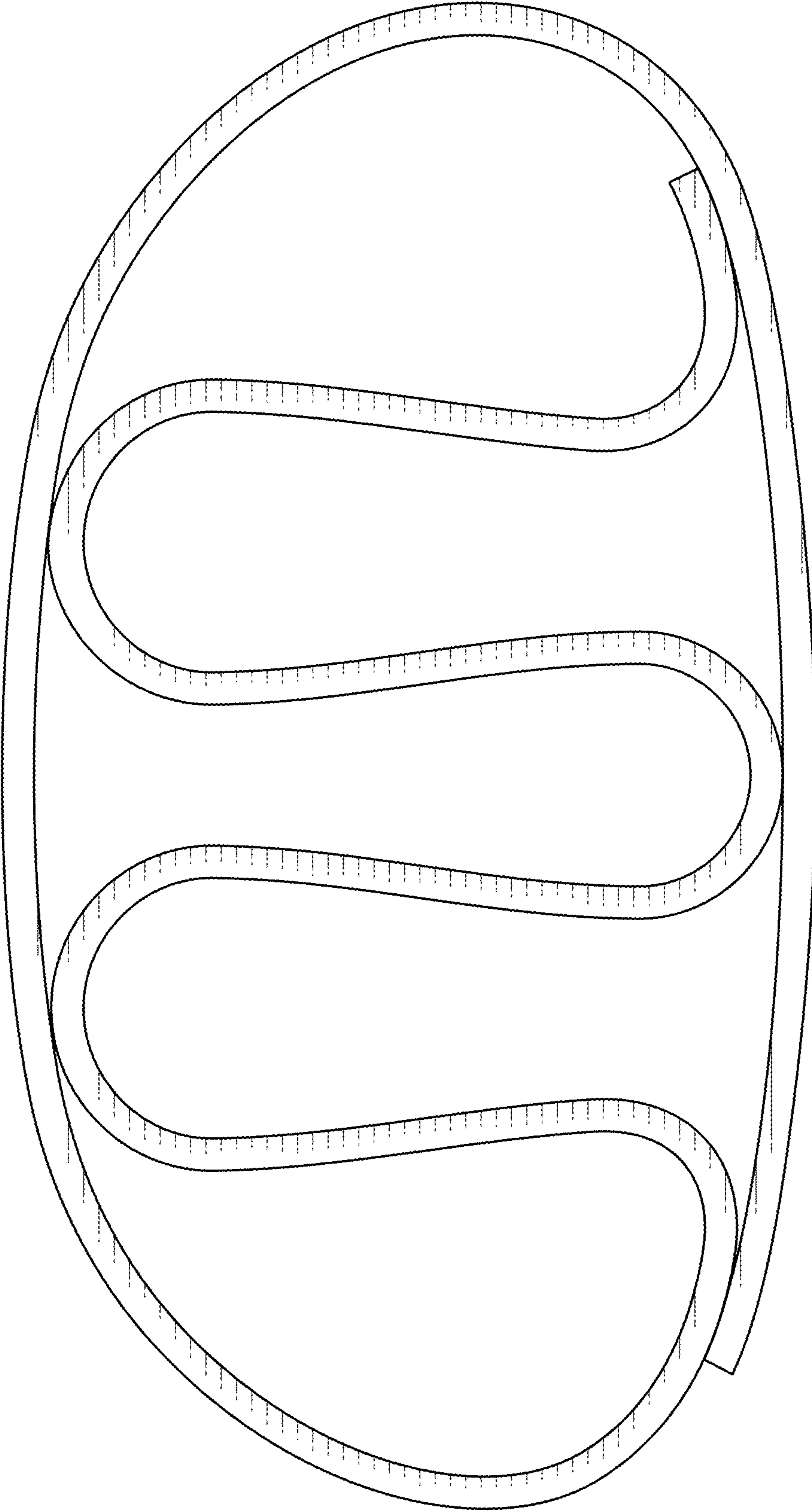


FIG. 6

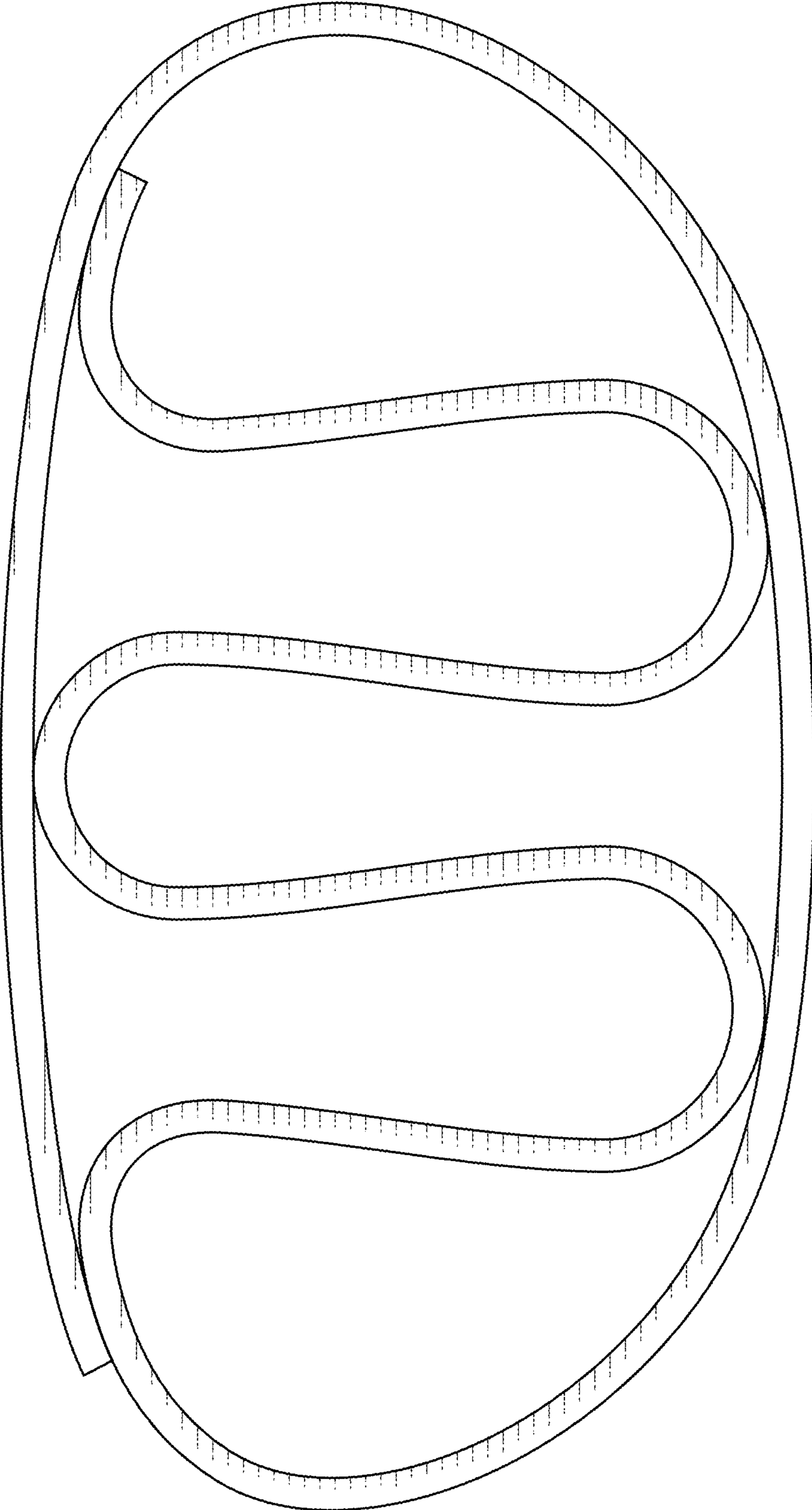


FIG. 7

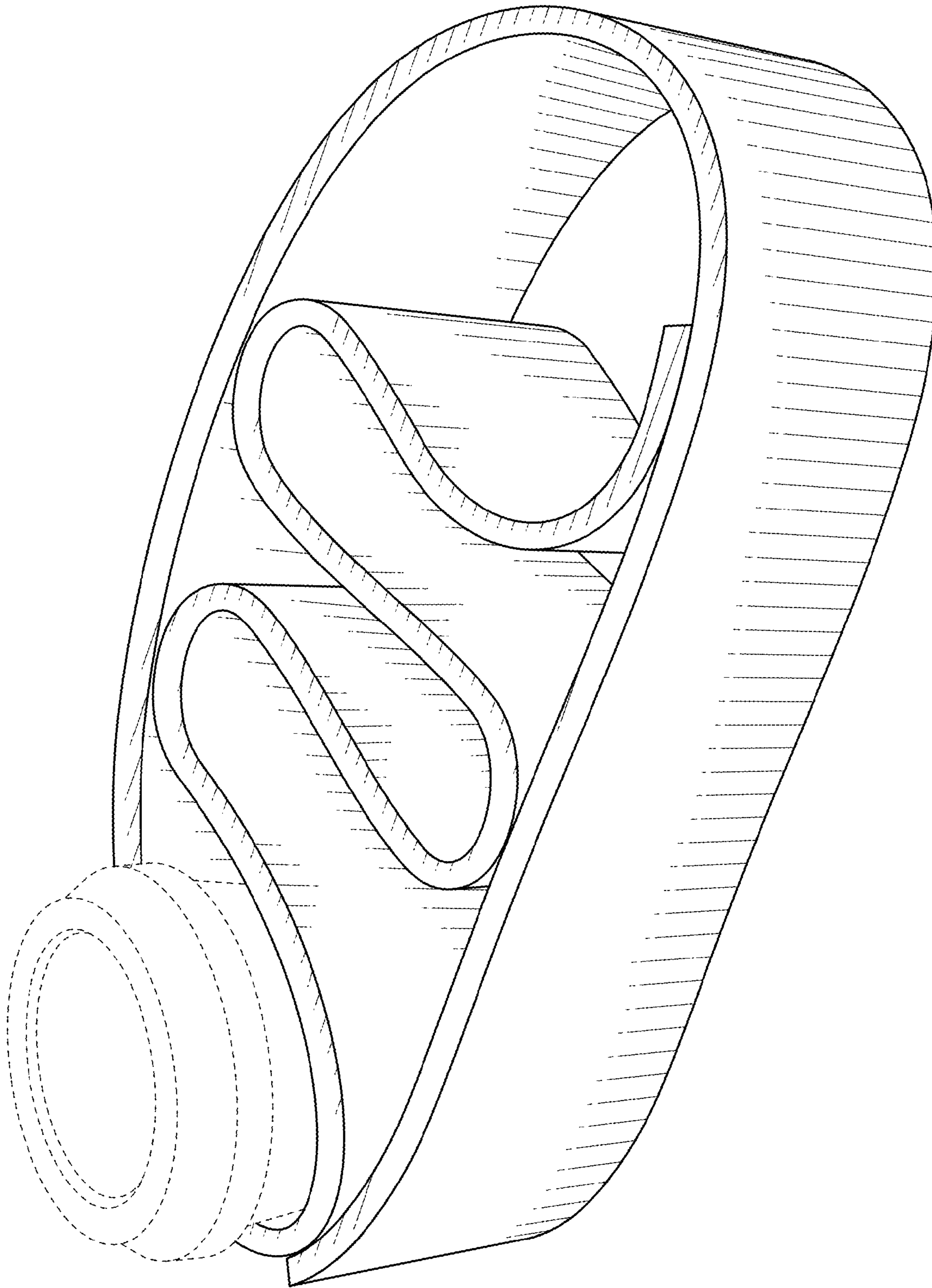


FIG. 8

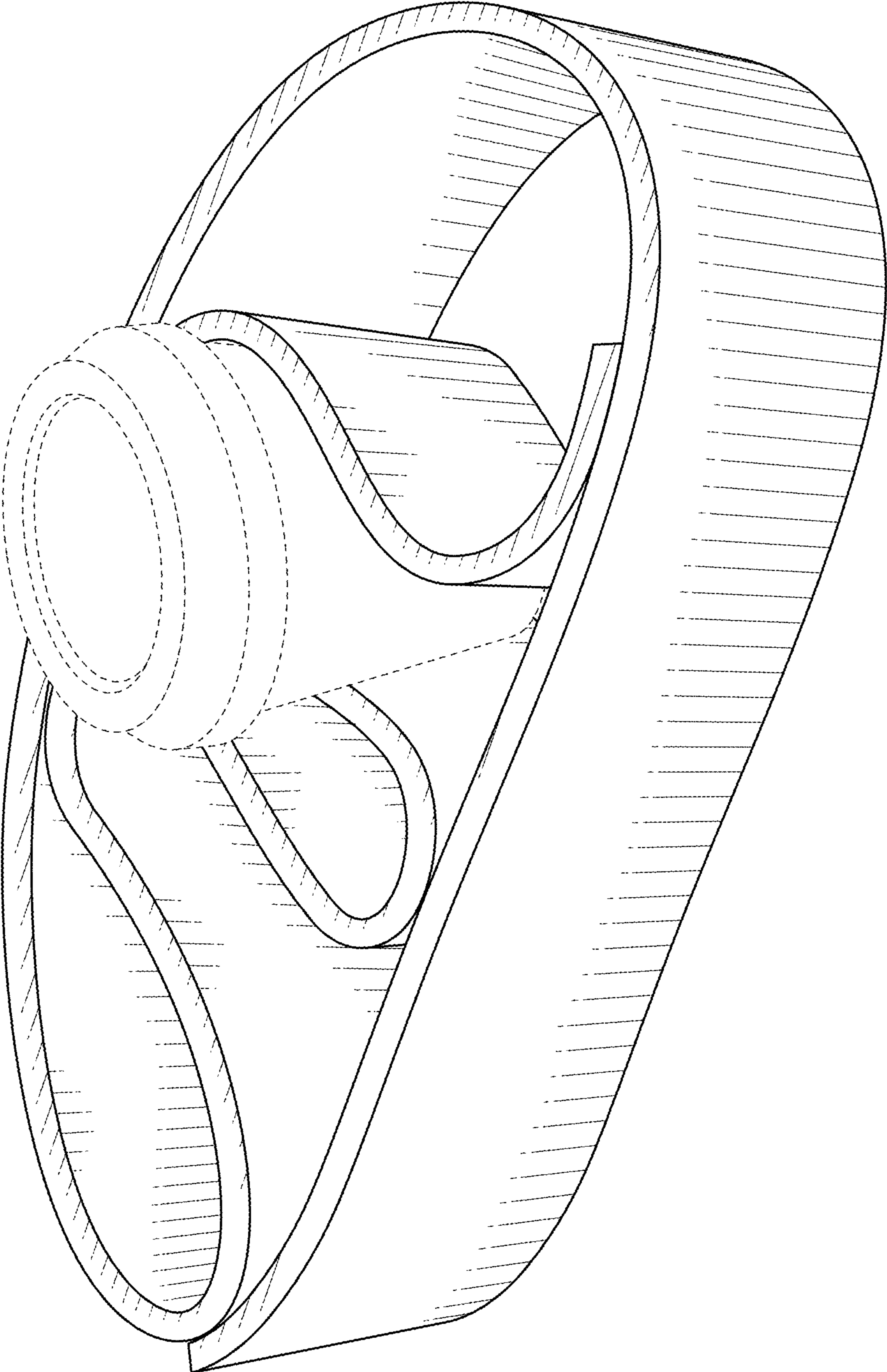


FIG. 9

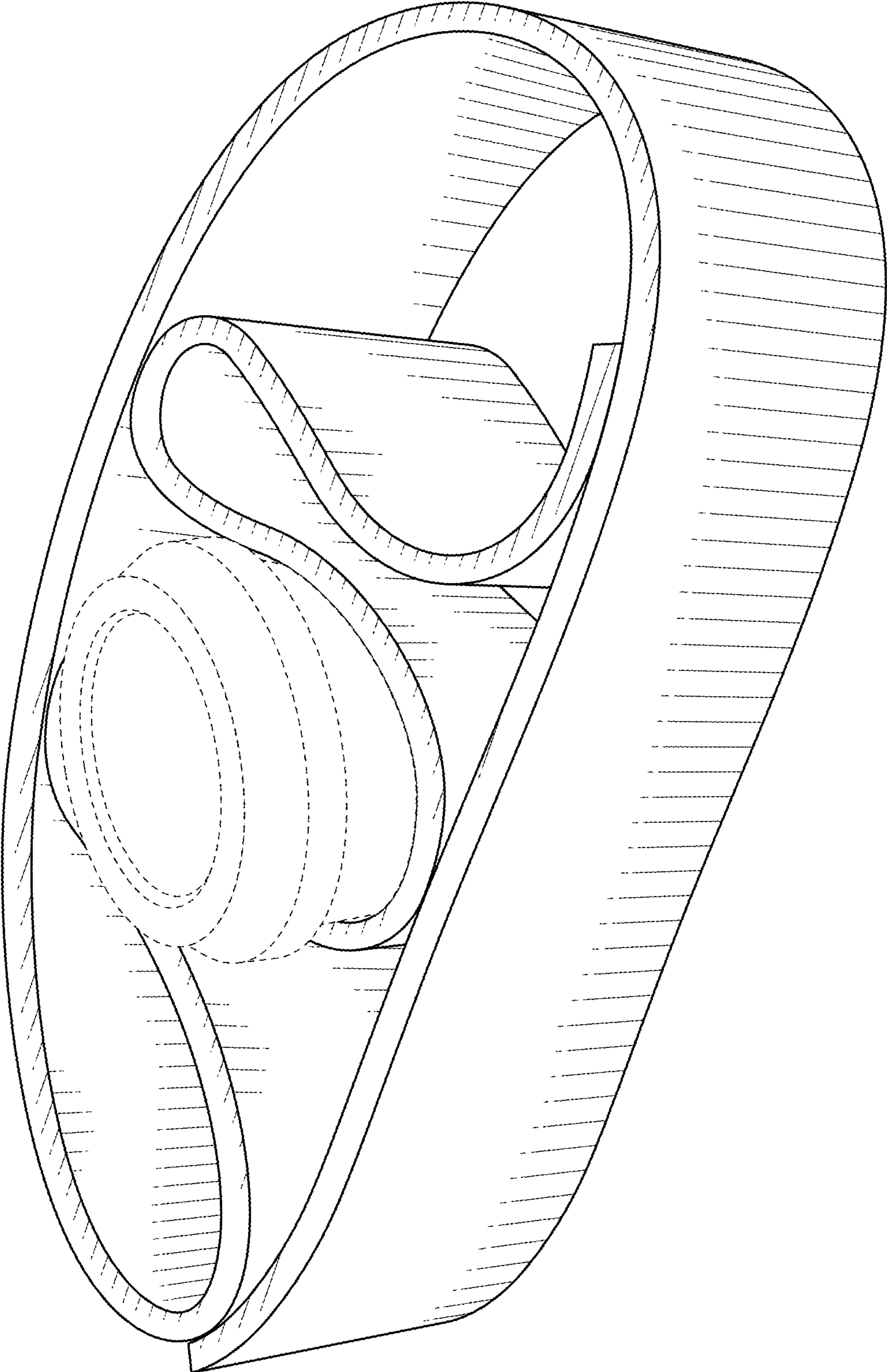


FIG. 10

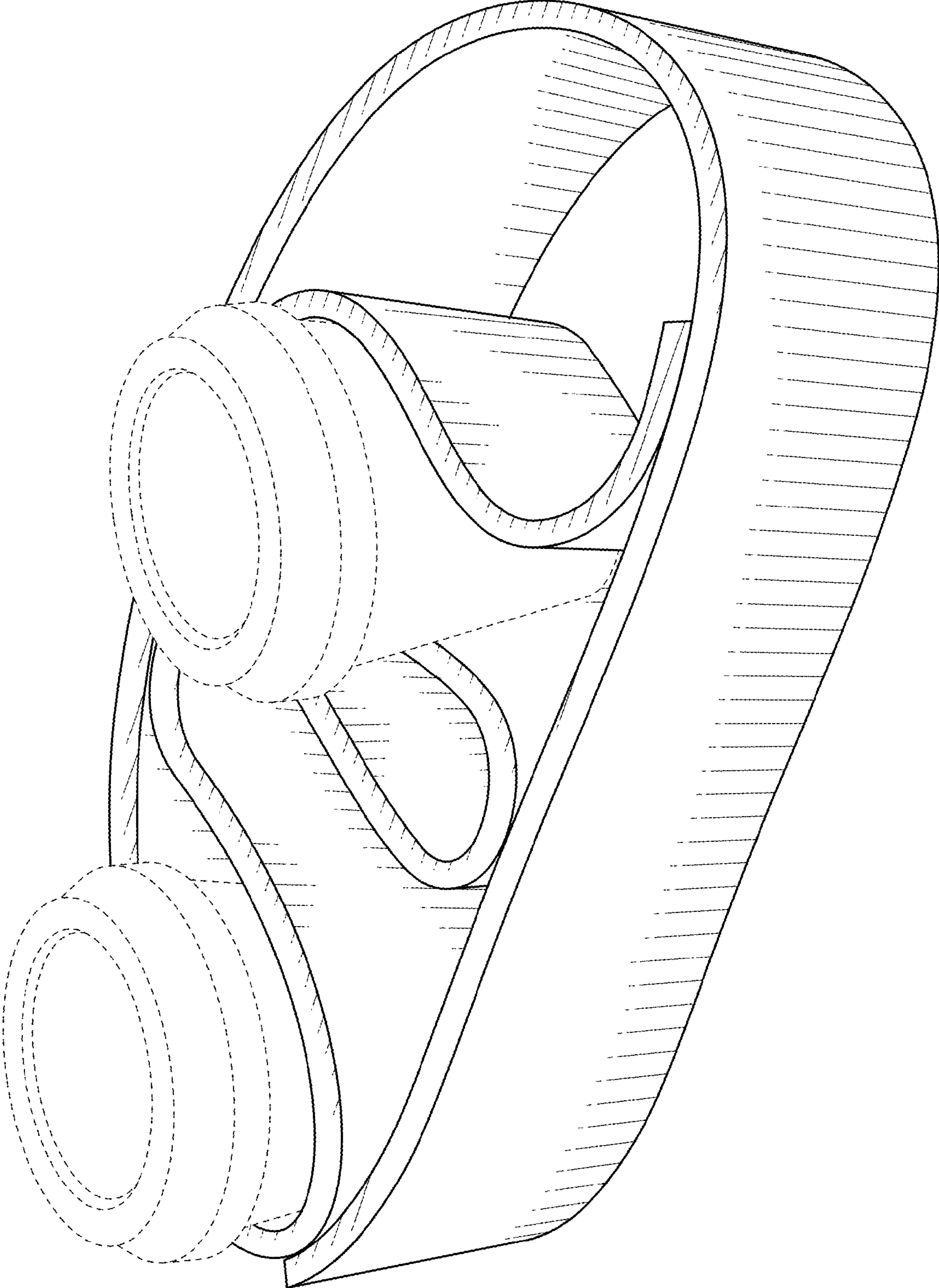


FIG. 11