



US00D883899S

(12) **United States Design Patent**
Evulet

(10) **Patent No.:** **US D883,899 S**

(45) **Date of Patent:** **** May 12, 2020**

(54) **FLUIDIC PROPULSIVE DEVICE FOR AN AIRCRAFT**

D631,809 S * 2/2011 Lai D12/194
D691,215 S * 10/2013 Madigan D21/436
D803,745 S * 11/2017 Akrapovic D12/194

(Continued)

(71) Applicant: **JETOPTERA, INC.**, Edmonds, WA (US)

Primary Examiner — Marissa J Cash

(72) Inventor: **Andrei Evulet**, Edmonds, WA (US)

(74) *Attorney, Agent, or Firm* — Foster Garvey PC

(73) Assignee: **JETOPTERA, INC.**, Edmonds, WA (US)

(57) **CLAIM**

I claim the ornamental design for a fluidic propulsive device for an aircraft, as shown.

(**) Term: **15 Years**

DESCRIPTION

(21) Appl. No.: **29/625,625**

(22) Filed: **Nov. 10, 2017**

(51) **LOC (12) Cl.** **12-07**

(52) **U.S. Cl.**
USPC **D12/345**

(58) **Field of Classification Search**
USPC D12/319–345, 16.1, 1–4, 415, 401, 194;
D21/436–455, 769, 771; D30/160;
D15/1
CPC B64C 2201/146; B64C 2201/027; B64C
2201/104; B64C 25/06; B64C 25/24;
B64C 39/04; B64C 5/02
See application file for complete search history.

FIG. 1 is a front perspective view of a fluidic propulsive device for an aircraft in a horizontal thrust configuration, showing my new design;

FIG. 2 is a top plan view thereof;

FIG. 3 is a bottom plan view thereof;

FIG. 4 is a left side elevation view thereof;

FIG. 5 is a right side elevation view thereof;

FIG. 6 is a front elevation view thereof;

FIG. 7 is a rear elevation view thereof;

FIG. 8 is front perspective view of the fluidic propulsive device for an aircraft of FIGS. 1-7 shown in a downward thrust configuration;

FIG. 9 is a top plan view thereof;

FIG. 10 is a bottom plan view thereof;

FIG. 11 is a left side elevation view thereof;

FIG. 12 is a right side elevation view thereof;

FIG. 13 is a front elevation view thereof;

FIG. 14 is a rear elevation view thereof;

FIG. 15 is front perspective view of the fluidic propulsive device for an aircraft of FIGS. 1-14 shown in a split upward and downward thrust configuration;

FIG. 16 is a top plan view thereof;

FIG. 17 is a bottom plan view thereof;

FIG. 18 is a left side elevation view thereof;

FIG. 19 is a right side elevation view thereof;

FIG. 20 is a front elevation view thereof; and,

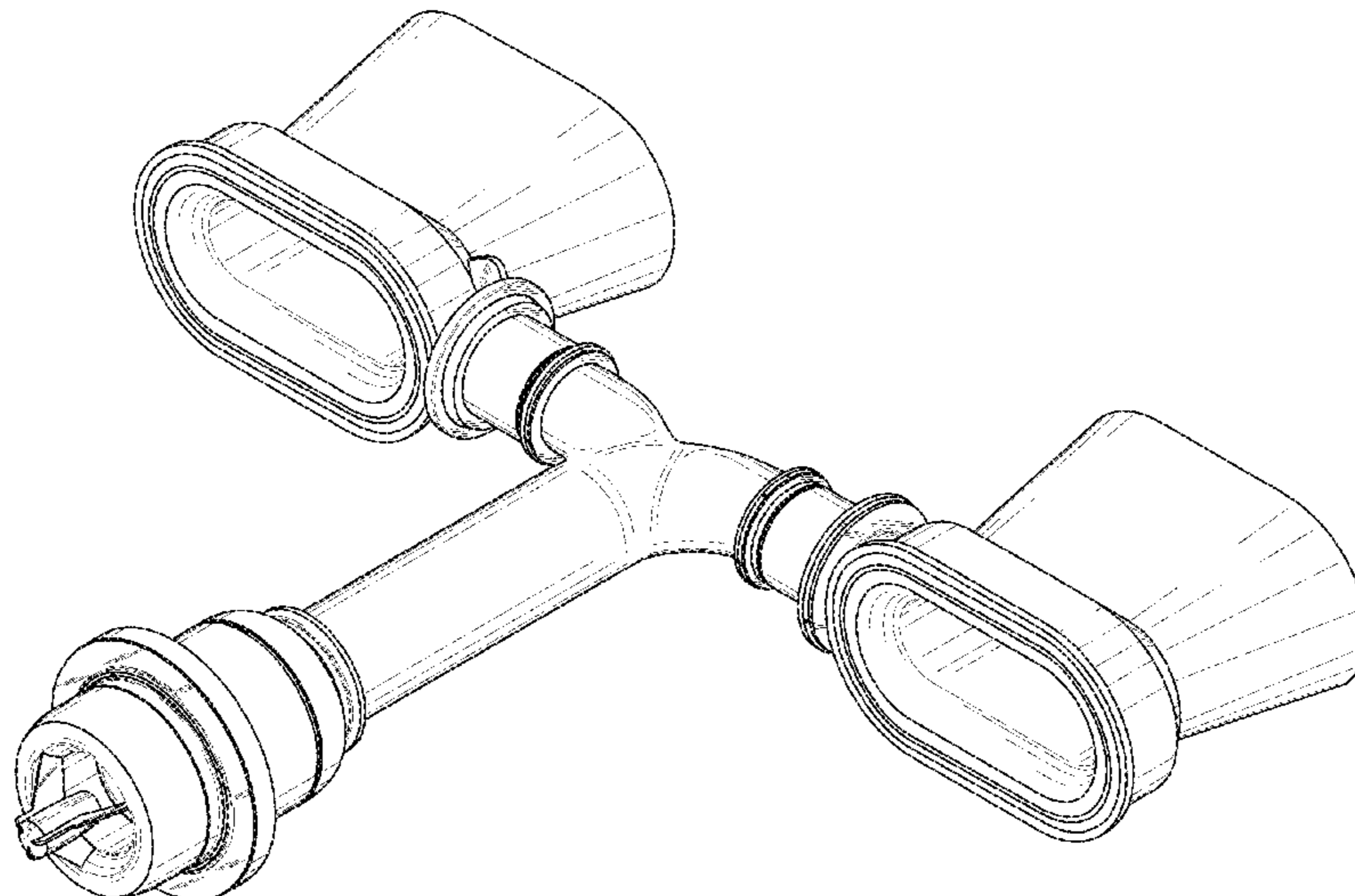
FIG. 21 is a rear elevation view thereof;

(56) **References Cited**

U.S. PATENT DOCUMENTS

D163,528 S * 6/1951 Lynn D15/3
D183,835 S * 11/1958 Verona D12/16.1
D187,350 S * 3/1960 Berea D12/16.1
D190,454 S * 5/1961 McCrackin D12/16.1
D190,455 S * 5/1961 McCrackin D12/16.1
D254,080 S * 1/1980 Johnston D21/451
D311,222 S * 10/1990 Kovats D21/449
D327,073 S * 6/1992 MacPherson D15/1
D556,660 S * 12/2007 Murkett D12/194
D597,915 S * 8/2009 Bhambra D12/194
D600,186 S * 9/2009 Bhambra D12/194
D631,417 S * 1/2011 Lai D12/194

1 Claim, 15 Drawing Sheets



(56)

References Cited

U.S. PATENT DOCUMENTS

D808,861	S	*	1/2018	Zhou	D12/16.1
D810,621	S	*	2/2018	Sadek	D12/16.1
D810,644	S	*	2/2018	Welter	D12/194
D829,623	S	*	10/2018	Anderson	D12/194
D836,512	S	*	12/2018	Goplen	D12/194
D841,546	S	*	2/2019	Holman	D12/194
D844,534	S	*	4/2019	Liu	D12/308
D847,077	S	*	4/2019	Sakkinen	D12/300
D856,898	S	*	8/2019	Evulet	D12/335
D856,899	S	*	8/2019	Evulet	D12/335
10,464,668	B2	*	11/2019	Evulet	B64C 29/04
D868,627	S	*	12/2019	Evulet	D12/4

* cited by examiner

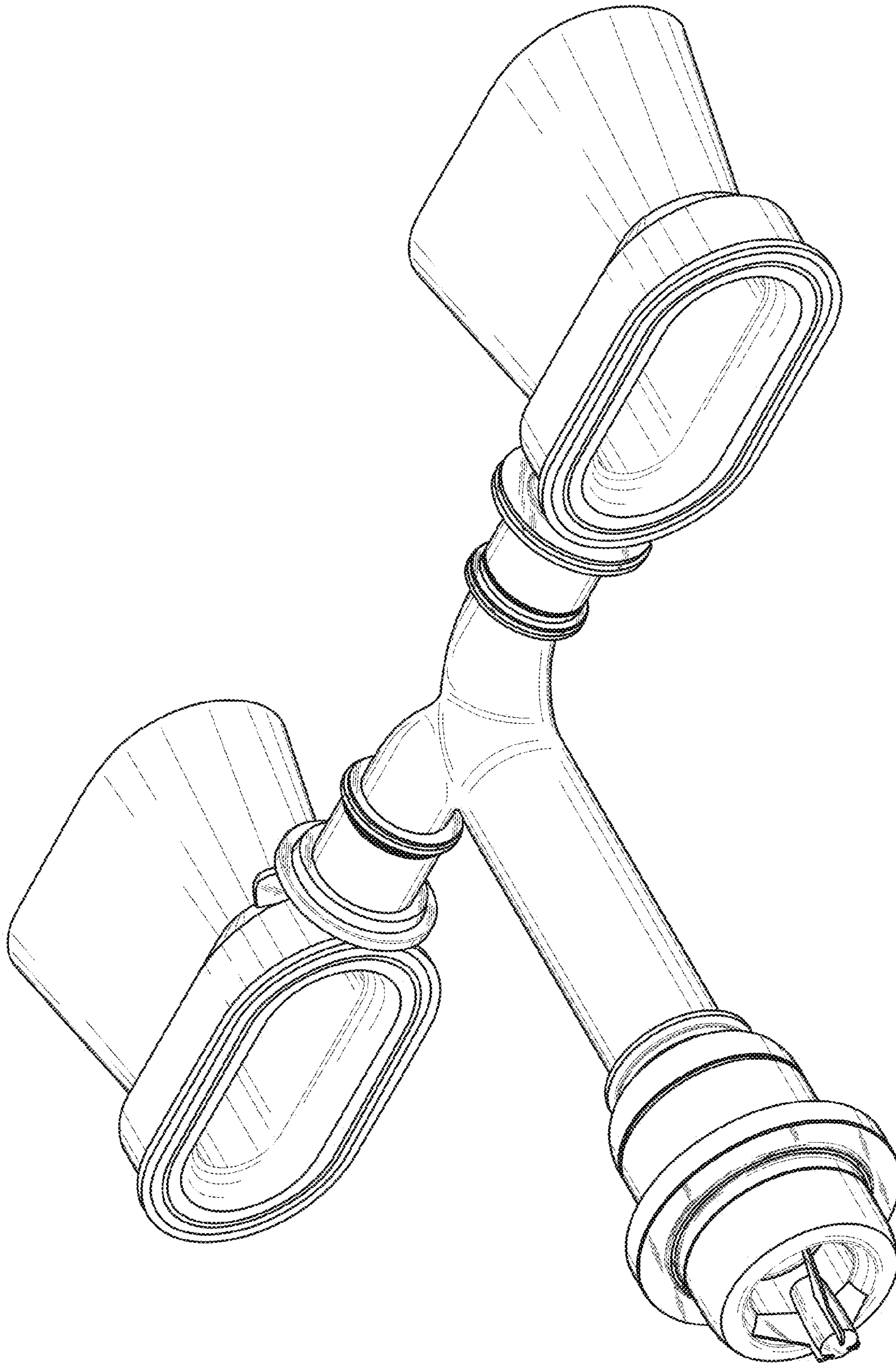


Fig. 1

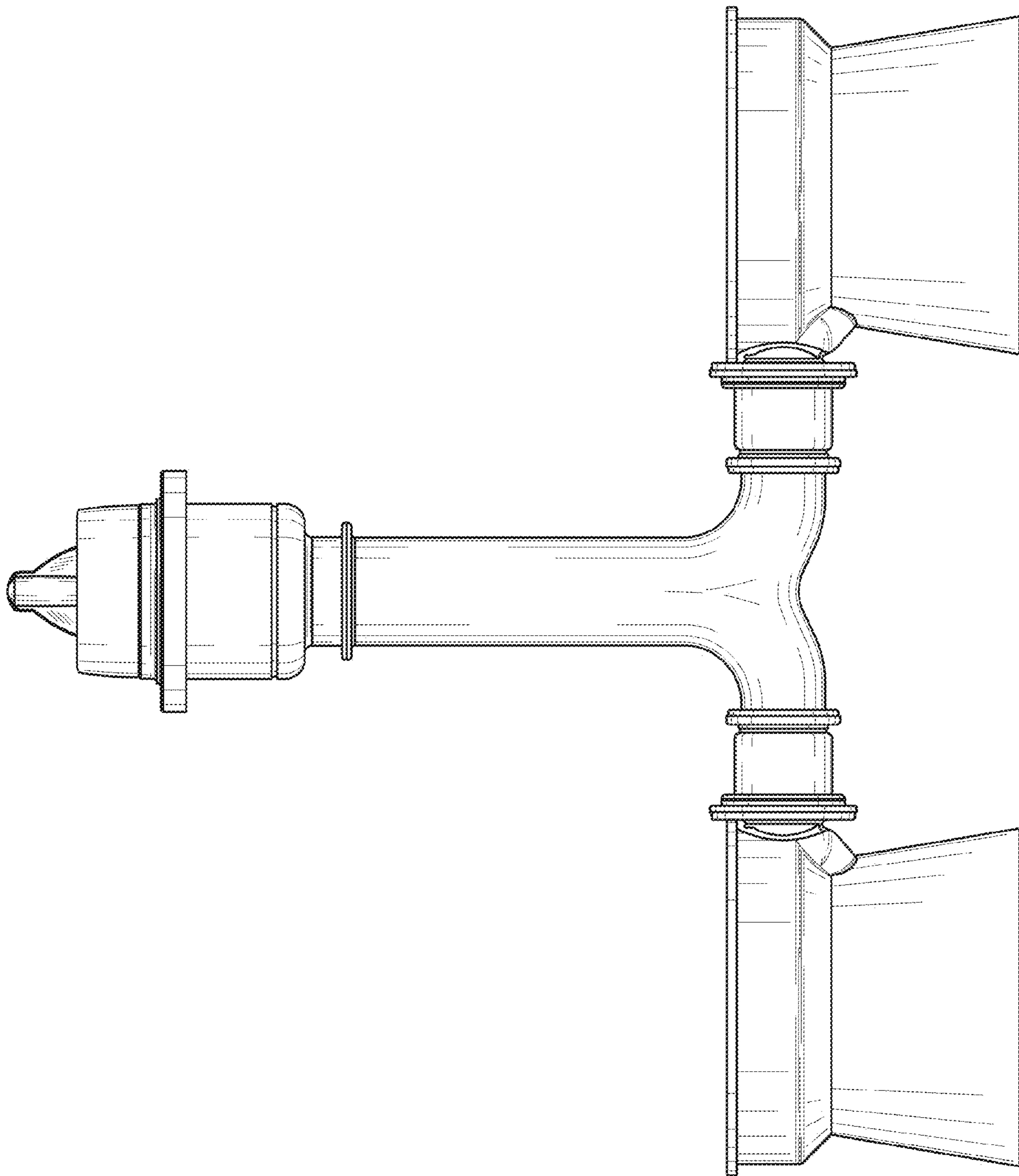


Fig. 2

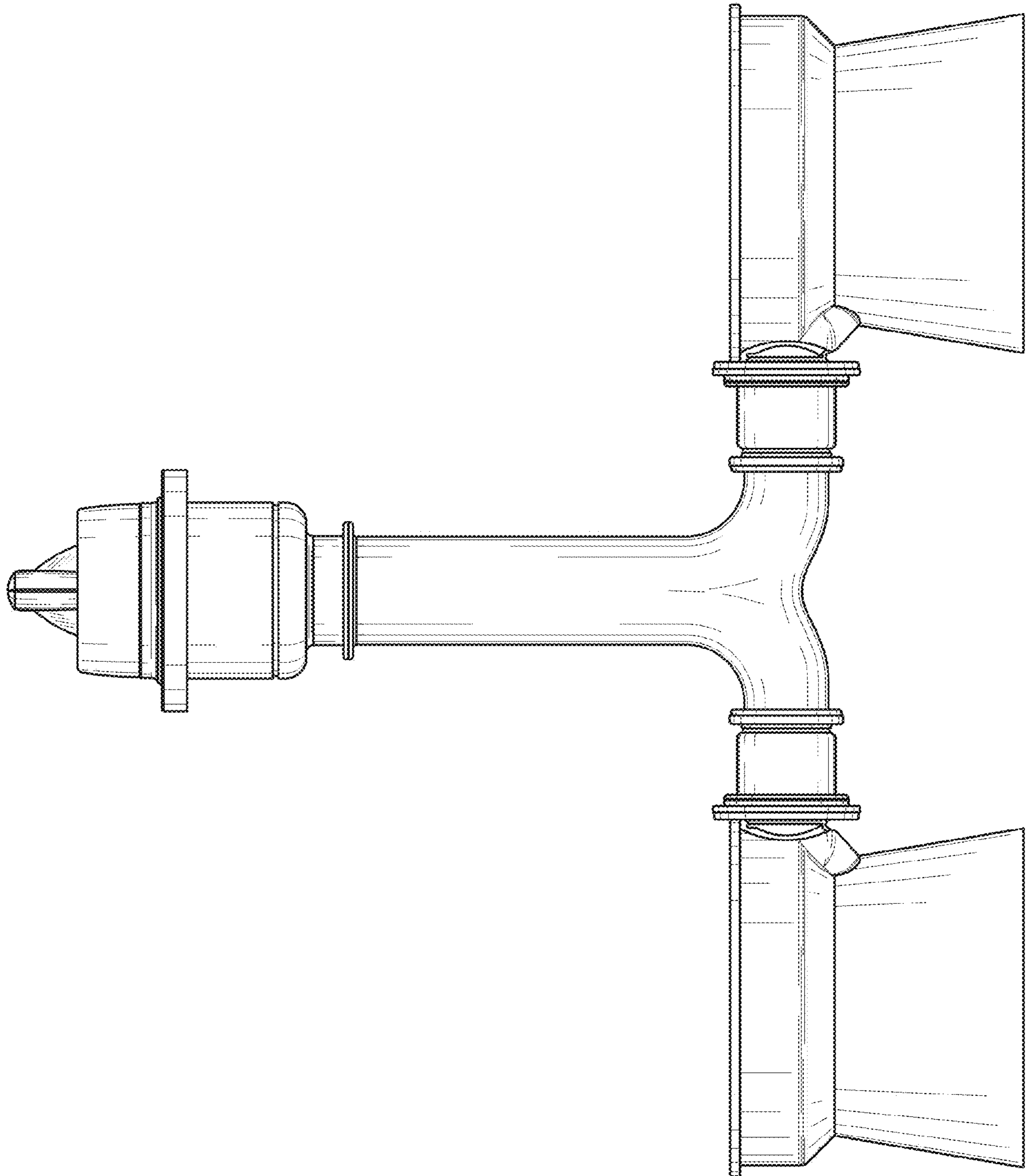


Fig. 3

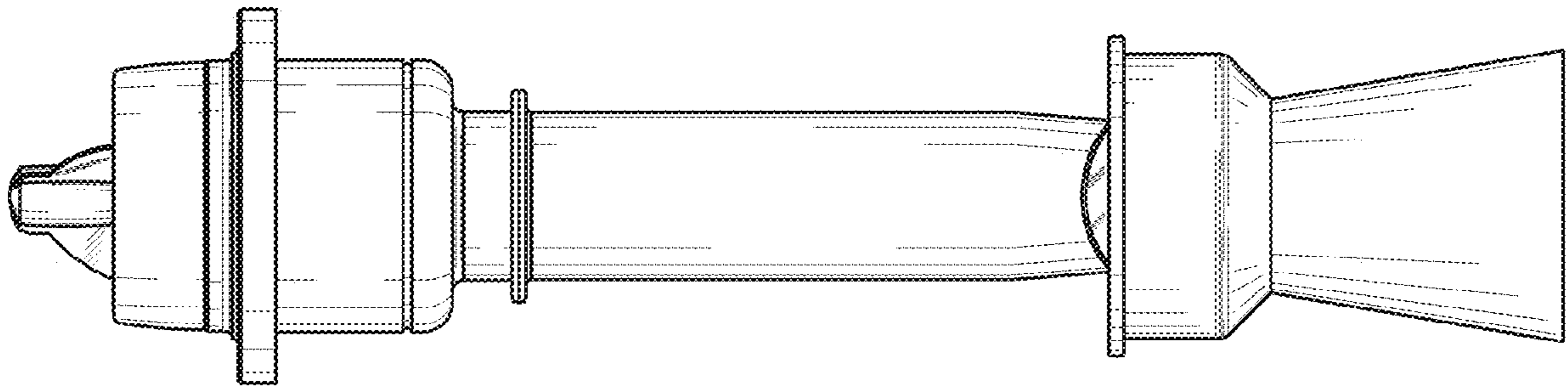


Fig. 4

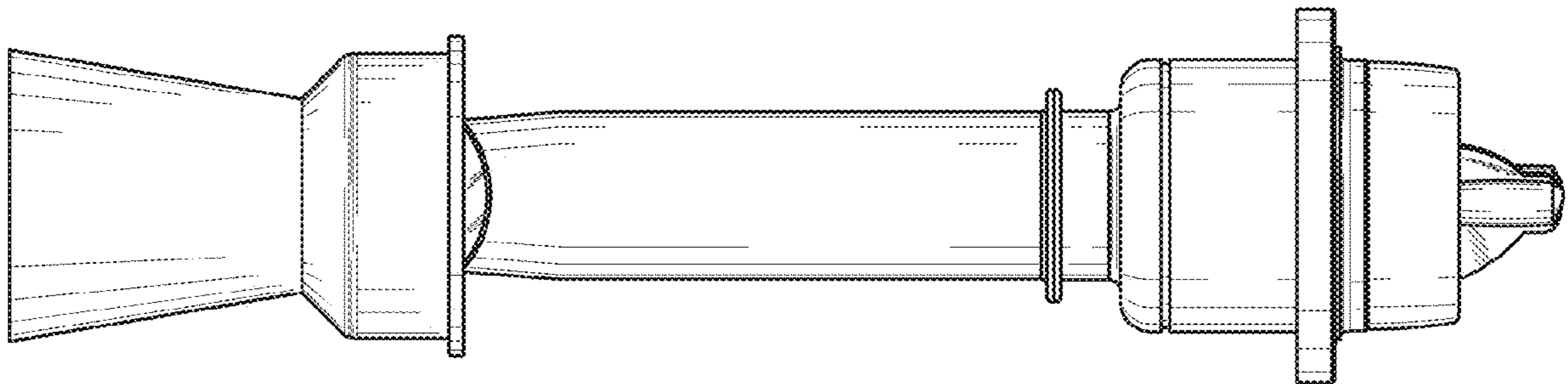


Fig. 5

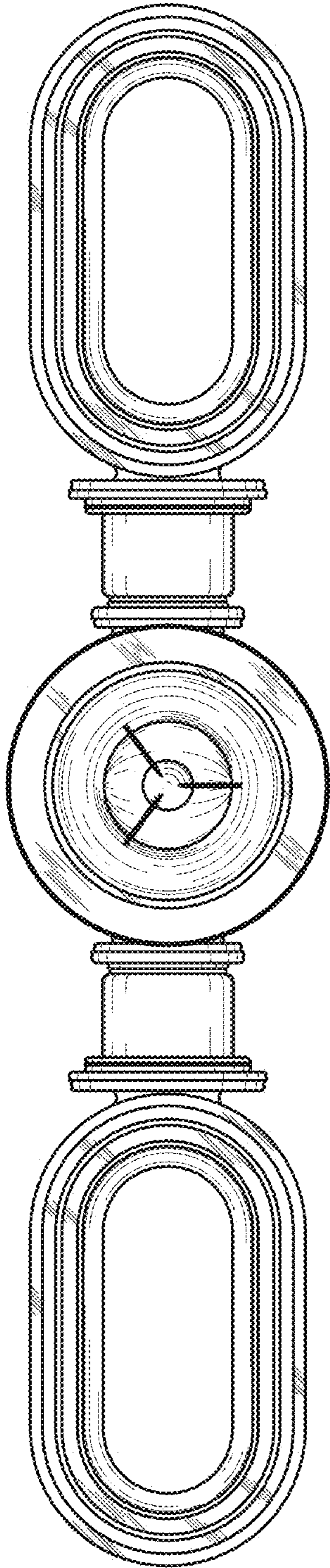


Fig. 6

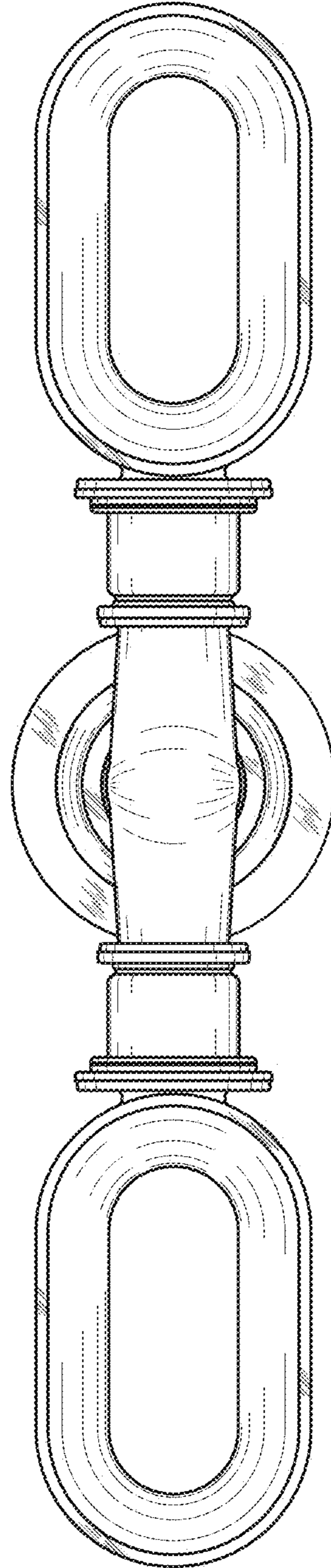


Fig. 7

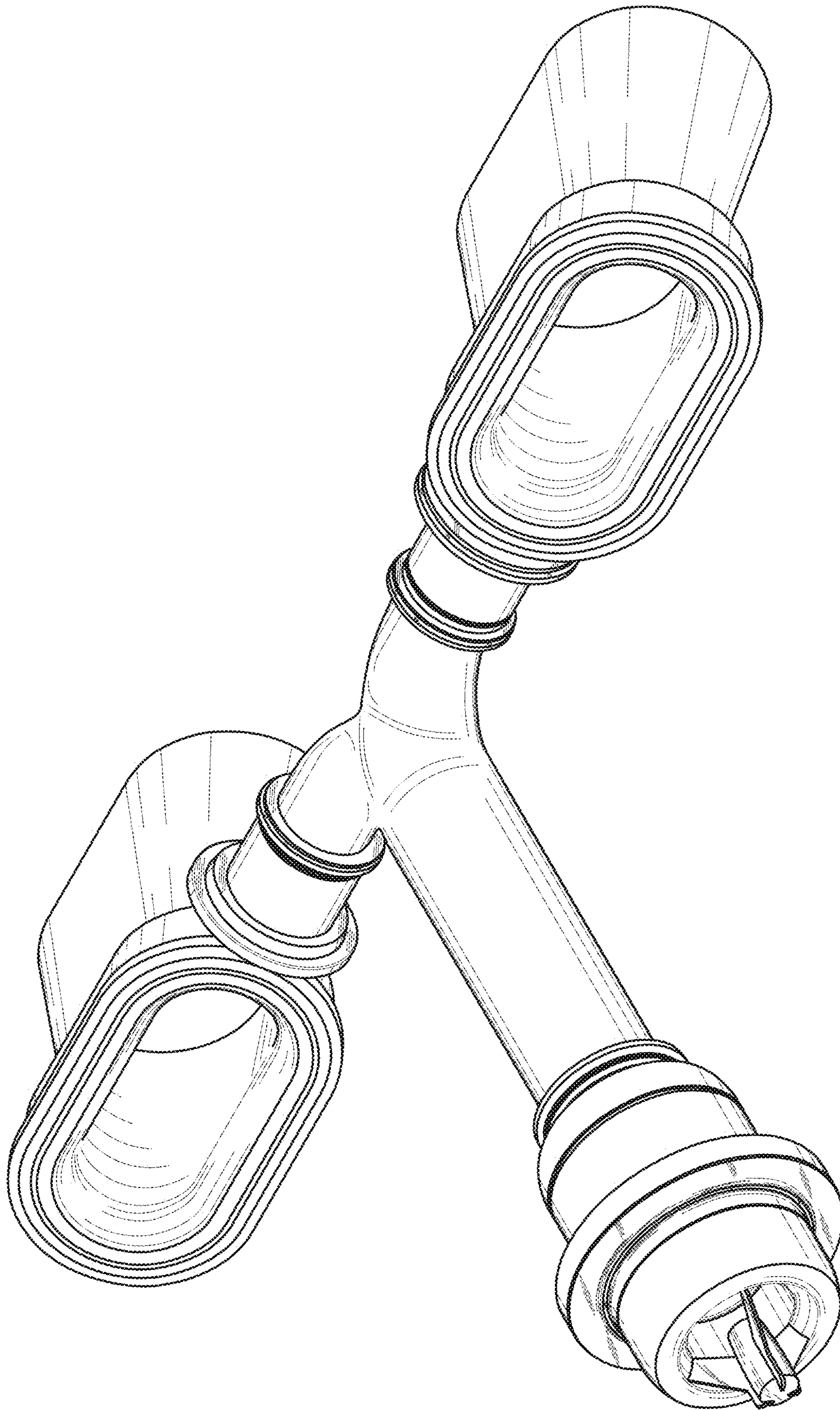


Fig. 8

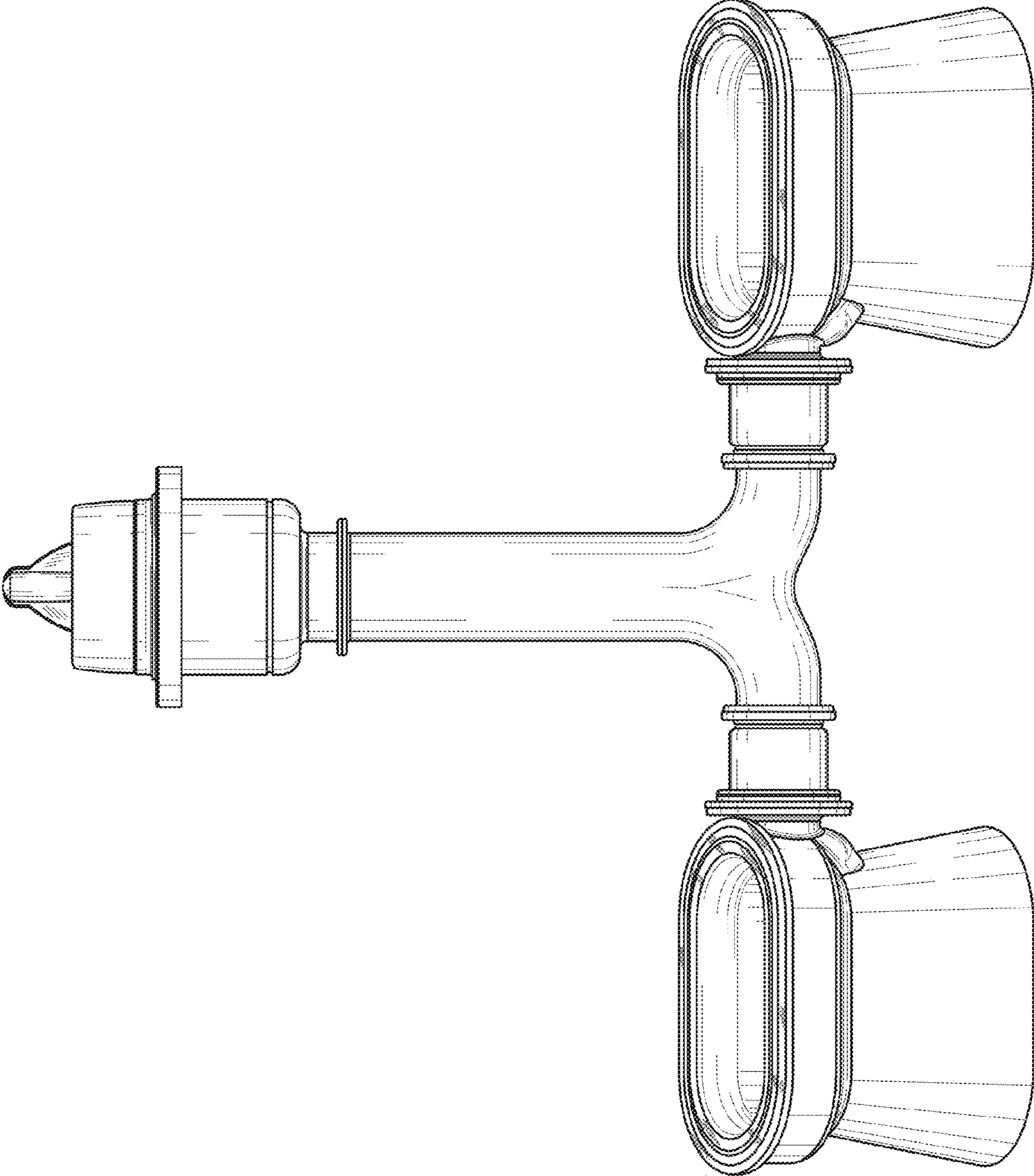


Fig. 9

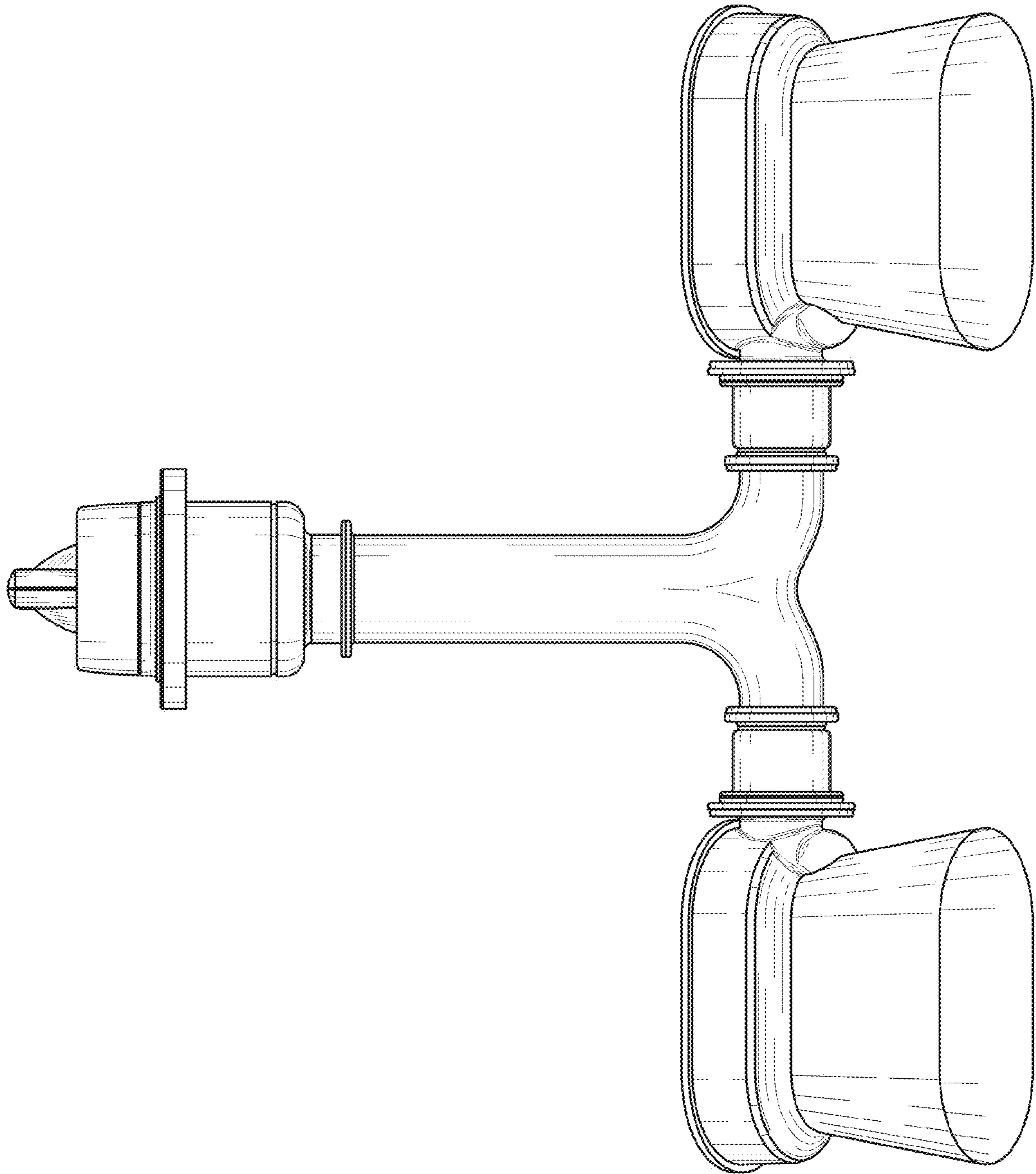


Fig. 10

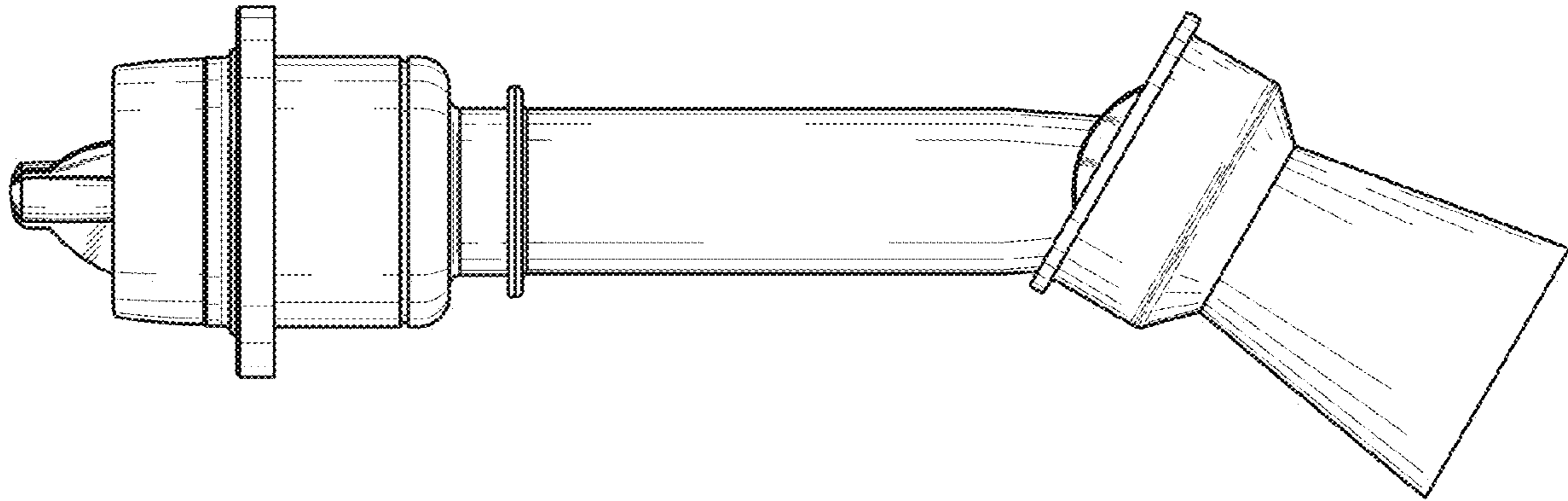


Fig. 11

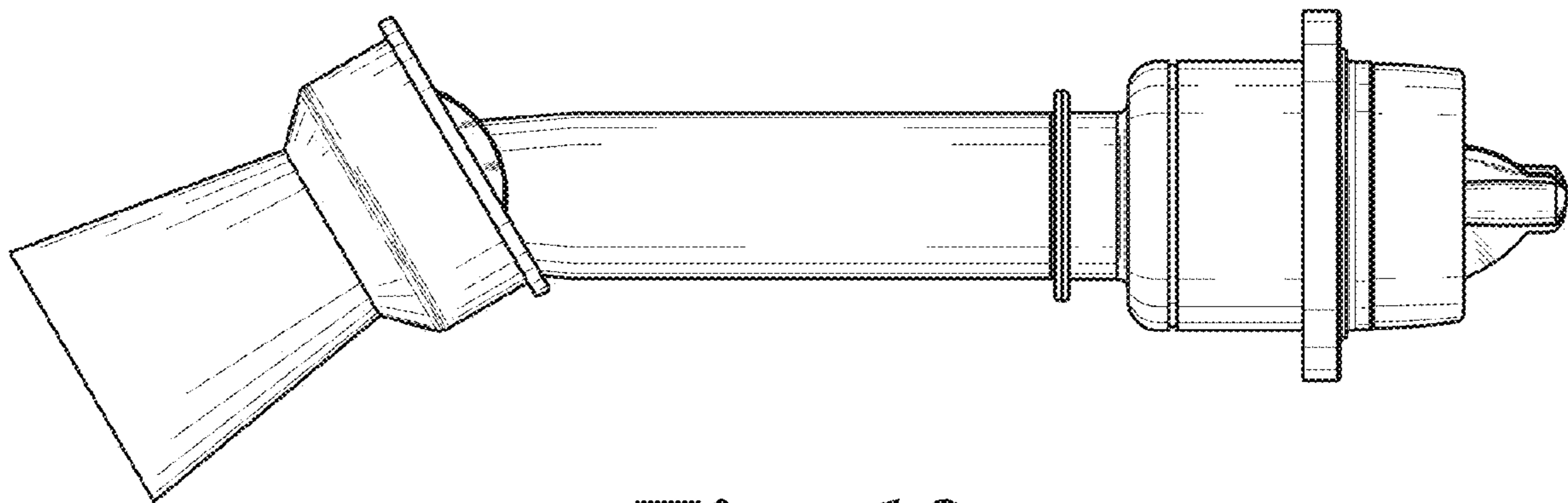


Fig. 12

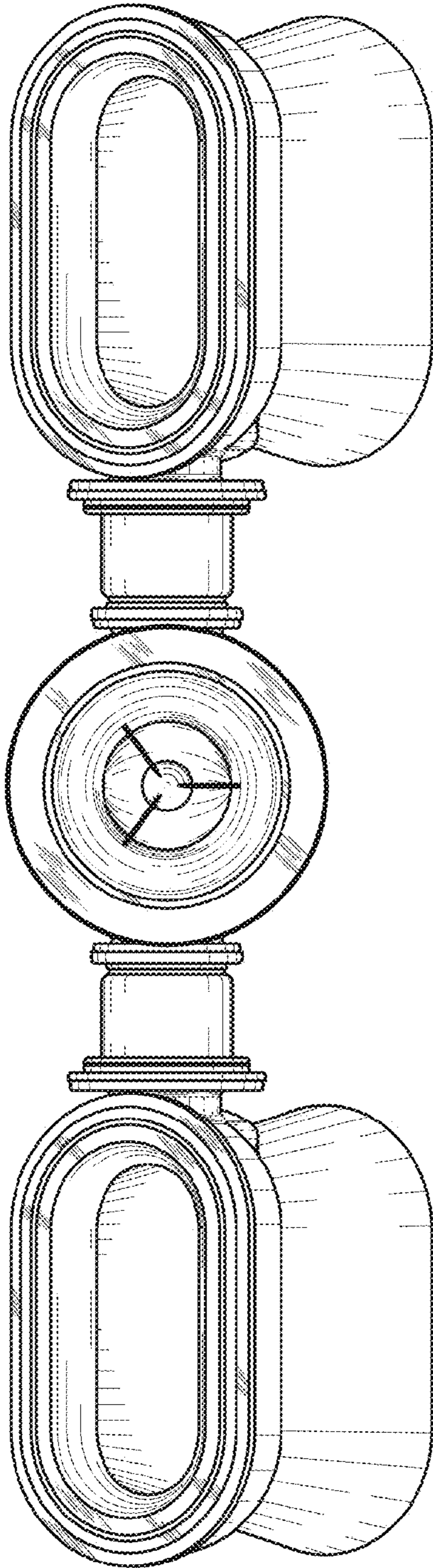


Fig. 13

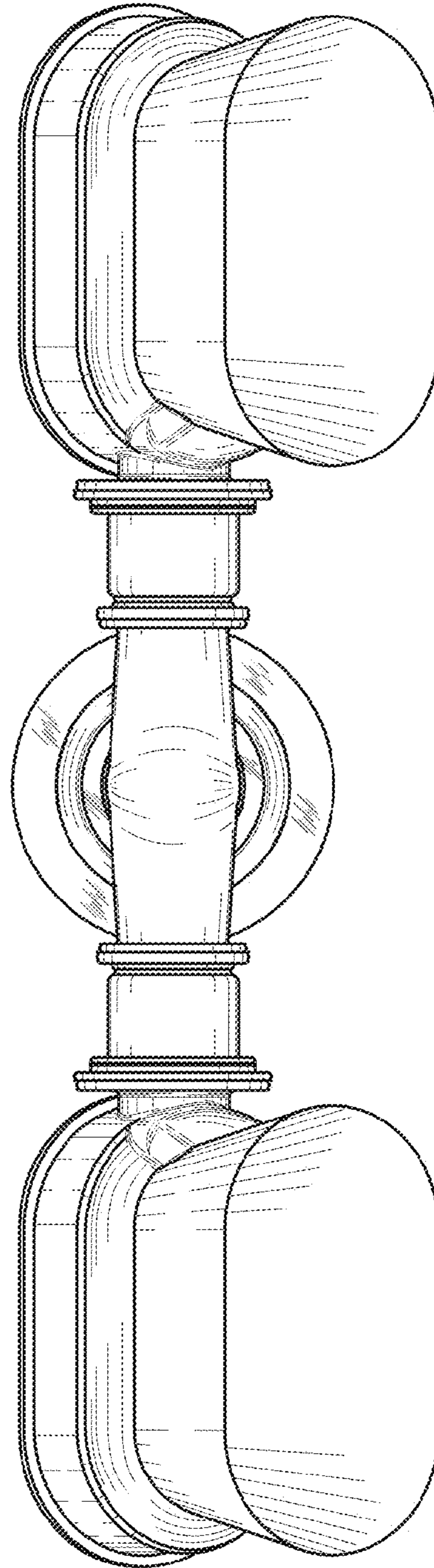


Fig. 14

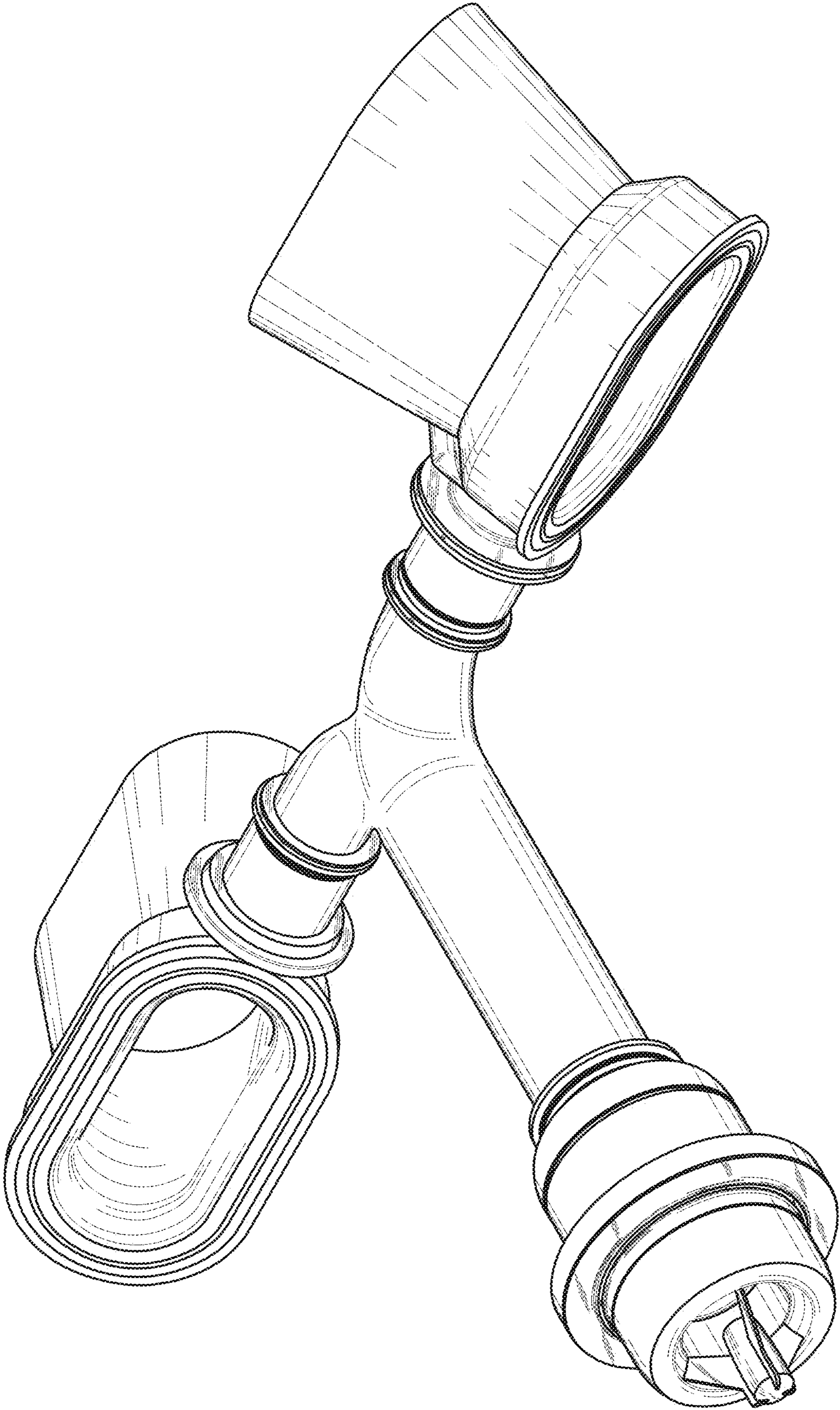


Fig. 15

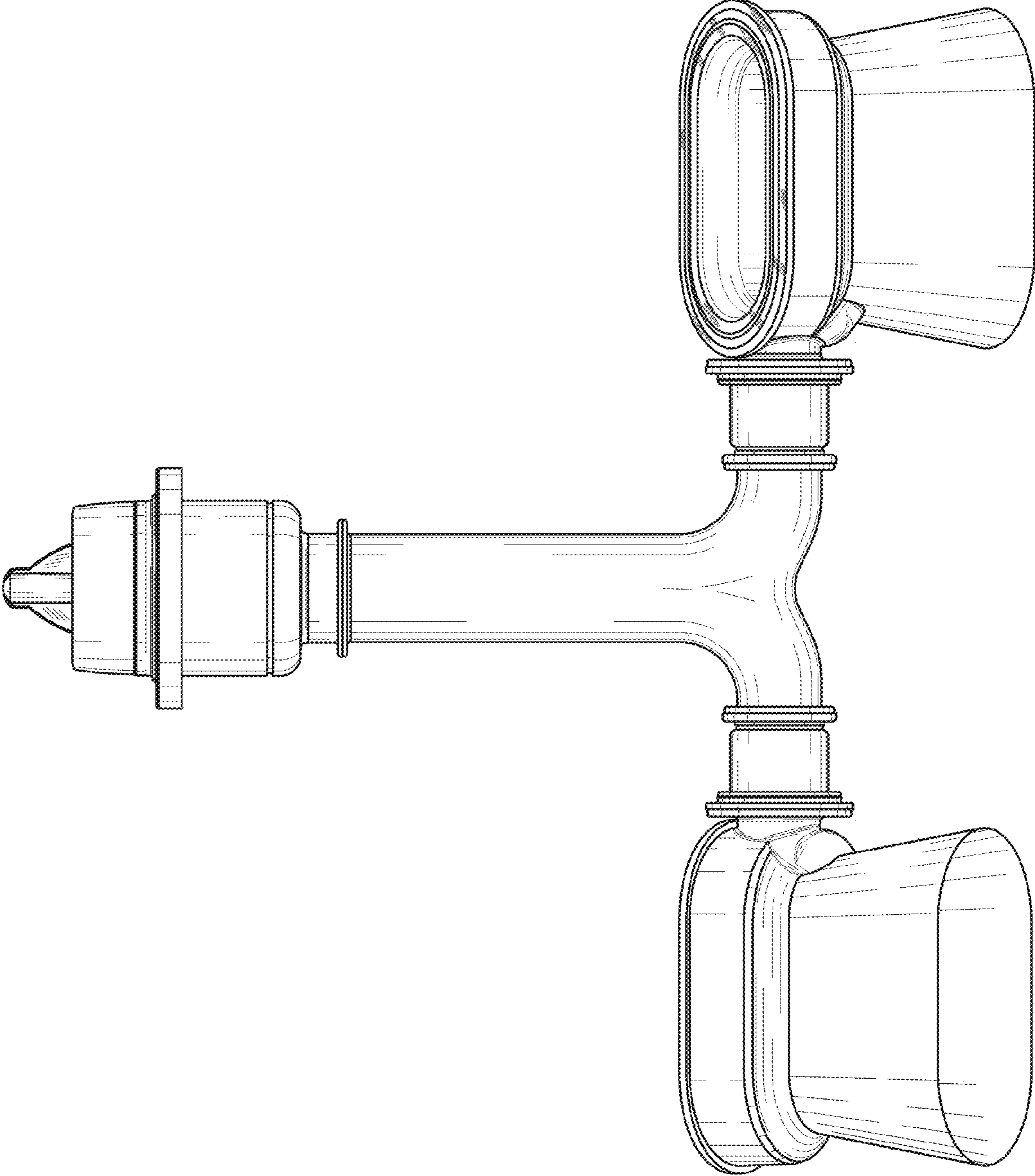


Fig. 16

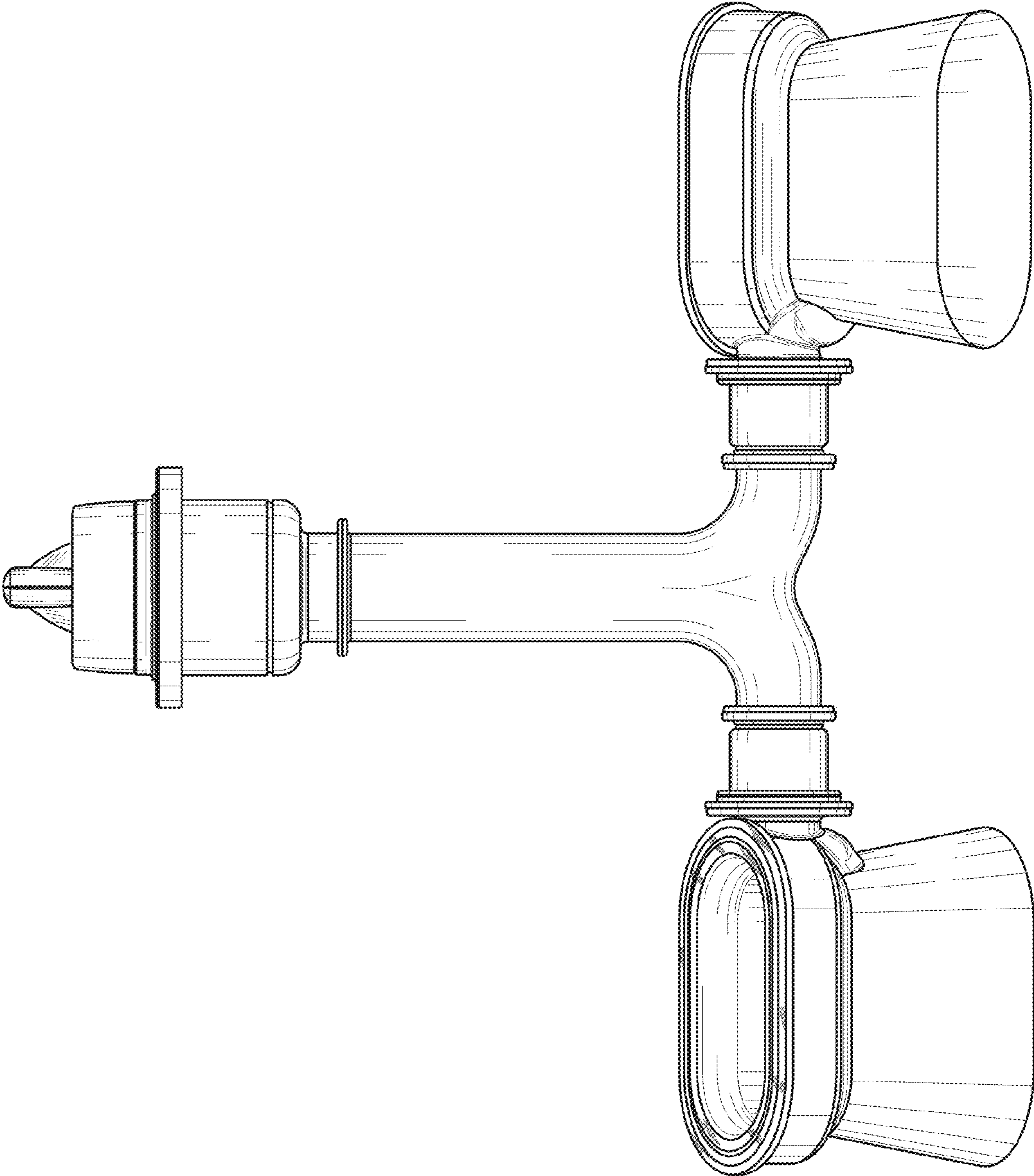


Fig. 17

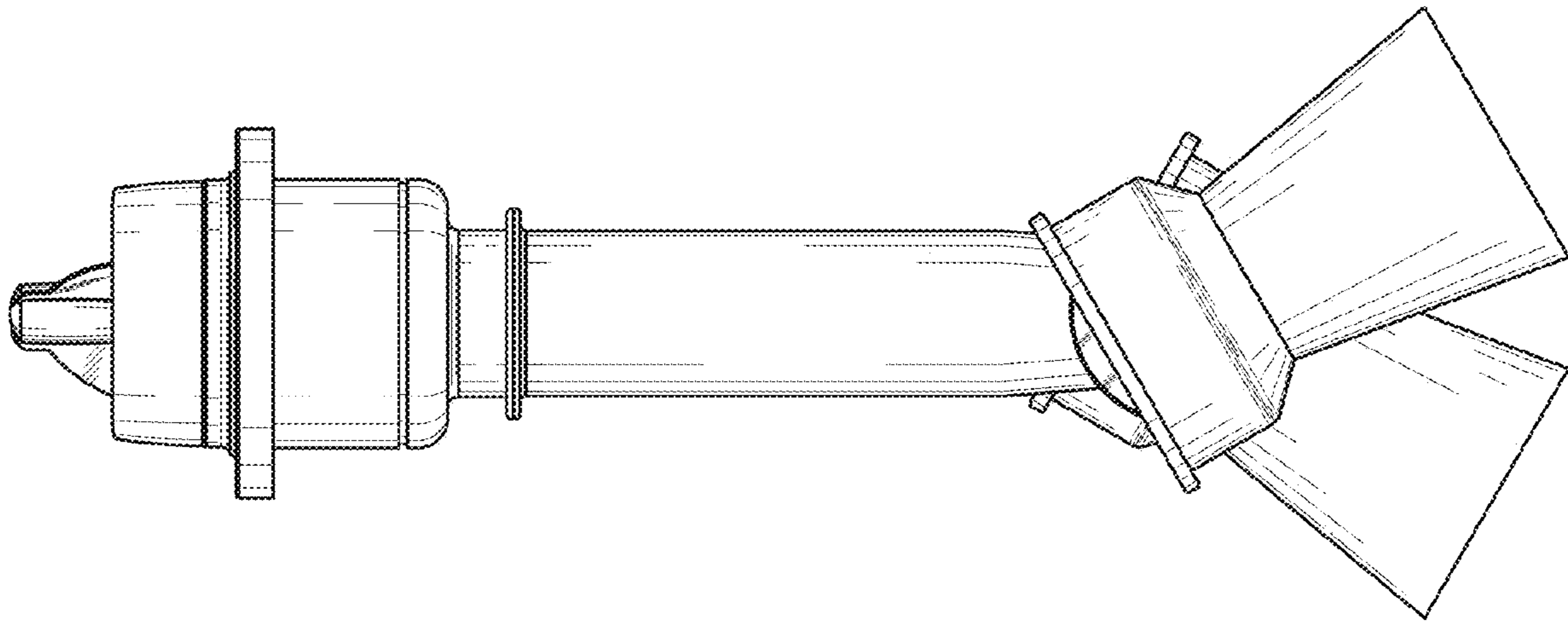


Fig. 18

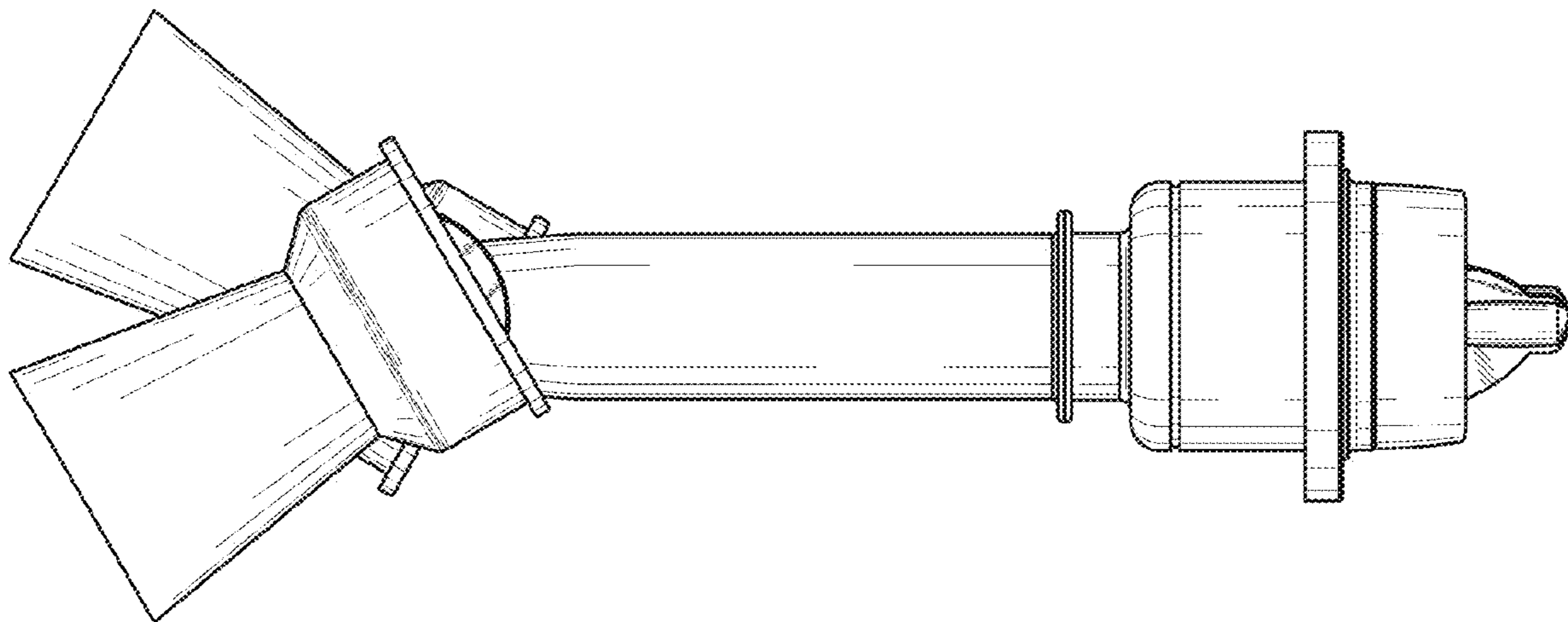


Fig. 19

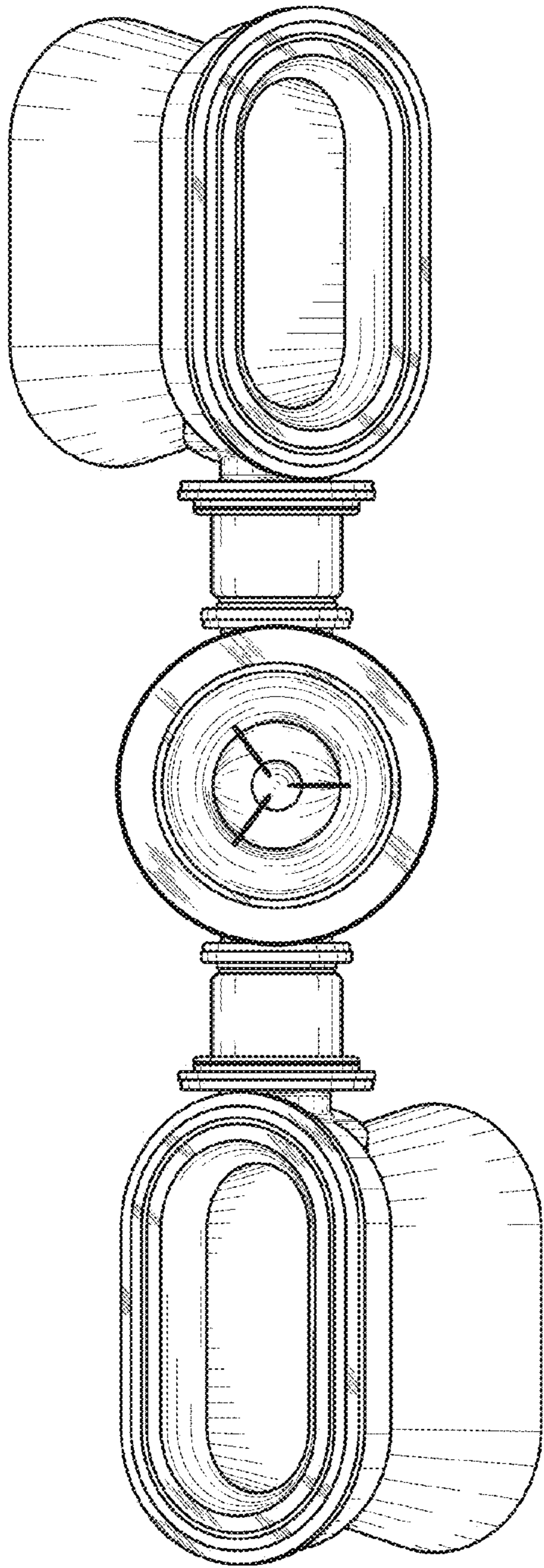


Fig. 20

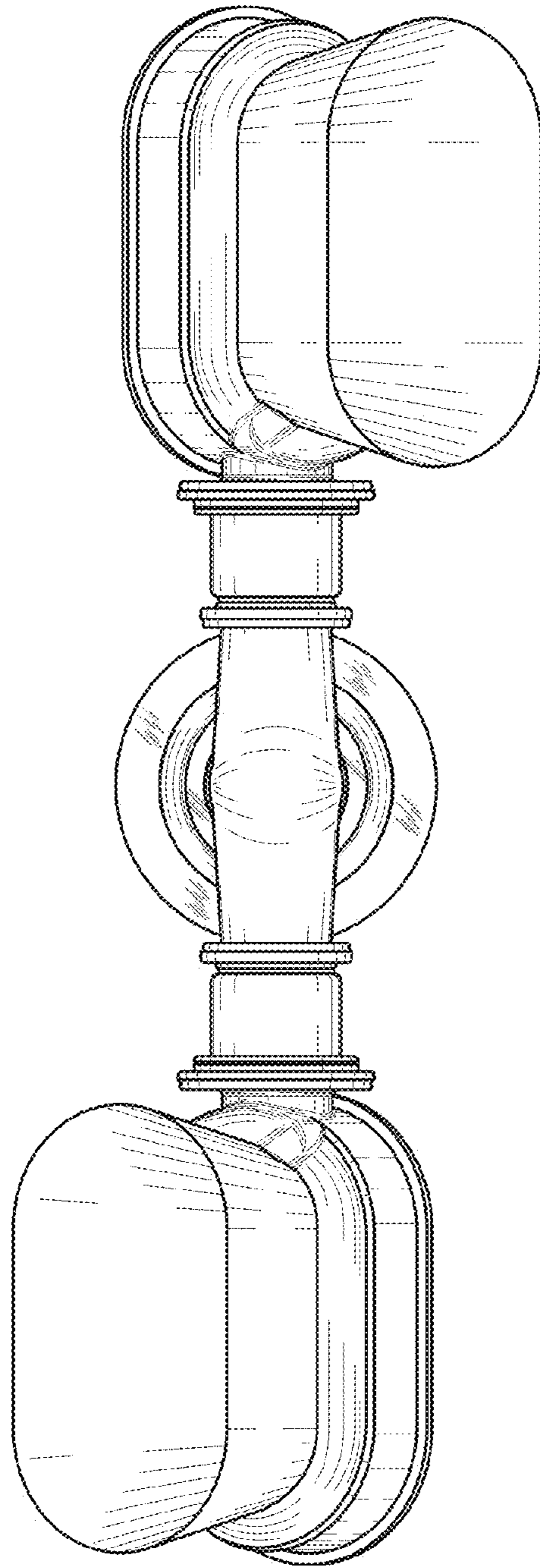


Fig. 21