



US00D883897S

(12) **United States Design Patent**
Kearns

(10) **Patent No.:** **US D883,897 S**

(45) **Date of Patent:** **** May 12, 2020**

(54) **INFLATABLE RAFT**

(71) Applicant: **Michael Kearns**, Louisville, KY (US)

(72) Inventor: **Michael Kearns**, Louisville, KY (US)

(**) Term: **15 Years**

(21) Appl. No.: **29/661,464**

(22) Filed: **Aug. 28, 2018**

(51) **LOC (12) Cl.** **12-06**

(52) **U.S. Cl.**
USPC **D12/316**

(58) **Field of Classification Search**
USPC D12/305, 316; D21/542–547, 801, 802,
D21/803, 809, 810
CPC B63B 35/58; B63B 35/607; B63B 35/613;
B63B 35/62; B63B 38/00; B63B 7/08;
B63C 2009/042
See application file for complete search history.

(56) **References Cited**

U.S. PATENT DOCUMENTS

- 4,942,838 A * 7/1990 Boyer B63B 7/087
114/345
- 5,233,705 A * 8/1993 Coleman A47C 15/006
4/496
- D362,706 S * 9/1995 Wamsley D12/306
- D393,683 S * 4/1998 Song D12/316

- D437,379 S * 2/2001 Peterson D21/801
- D485,593 S * 1/2004 Muci D21/769
- D610,216 S * 2/2010 Le Gette D21/803
- 8,393,288 B1 * 3/2013 Ramsey B63B 7/085
114/345

* cited by examiner

Primary Examiner — Cynthia M. Chin

(74) *Attorney, Agent, or Firm* — Wyatt, Tarrant & Combs, LLP; Max E. Bridges; Matthew A. Williams

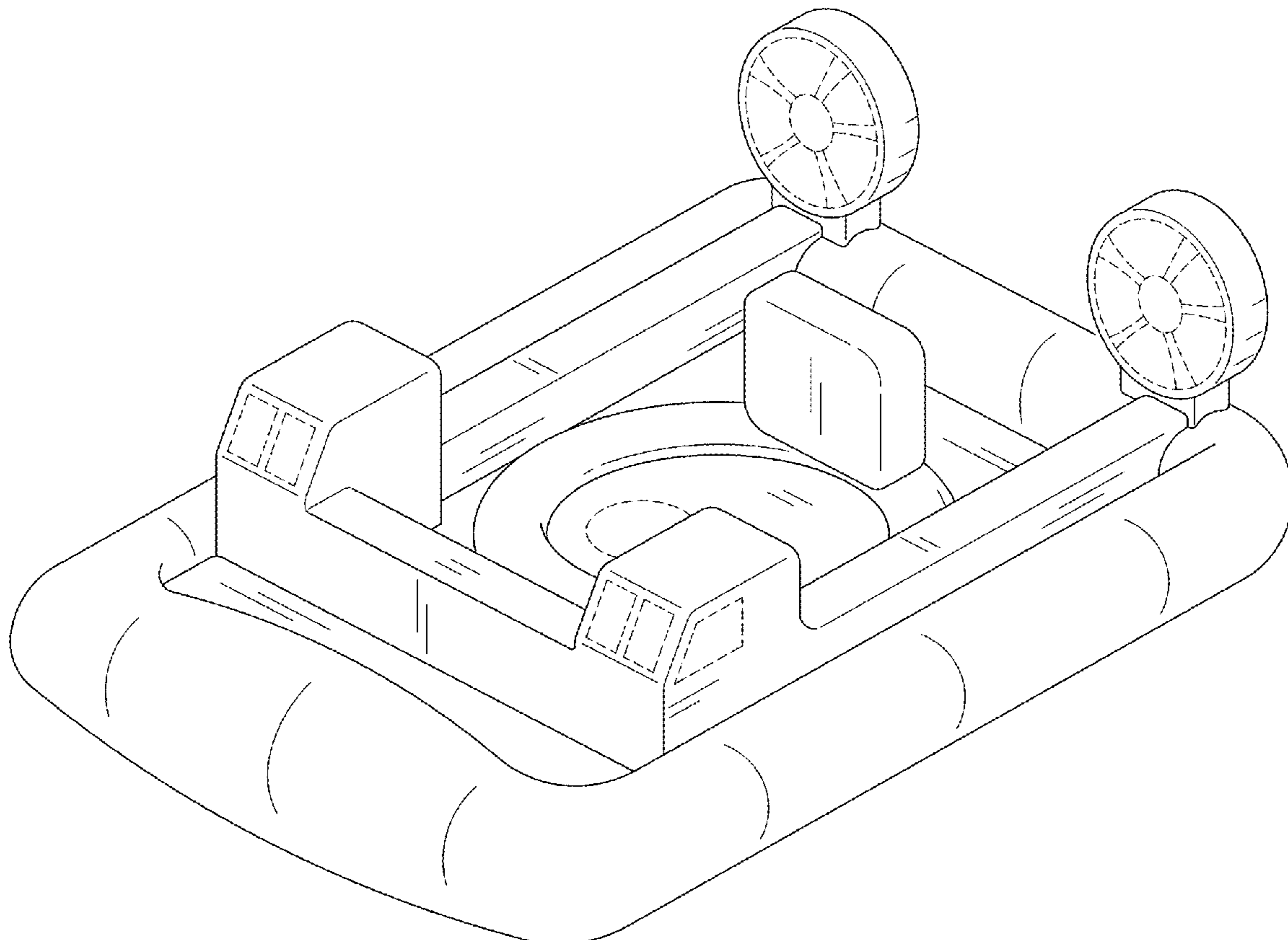
(57) **CLAIM**

The ornamental design for an inflatable raft, as shown and described.

DESCRIPTION

FIG. 1 is a perspective view of the inflatable raft;
 FIG. 2 is a front view thereof;
 FIG. 3 is a rear view thereof;
 FIG. 4 is a left-side view thereof;
 FIG. 5 is a right-side view thereof;
 FIG. 6 is a top plan view thereof; and,
 FIG. 7 is a bottom plan view thereof.
 The shading represents the three-dimensional contours of the claimed design, and is not intended to indicate surface decoration.
 The broken lines shown are included for the purpose of illustrating portions of the article which form no part of the claimed design.

1 Claim, 7 Drawing Sheets



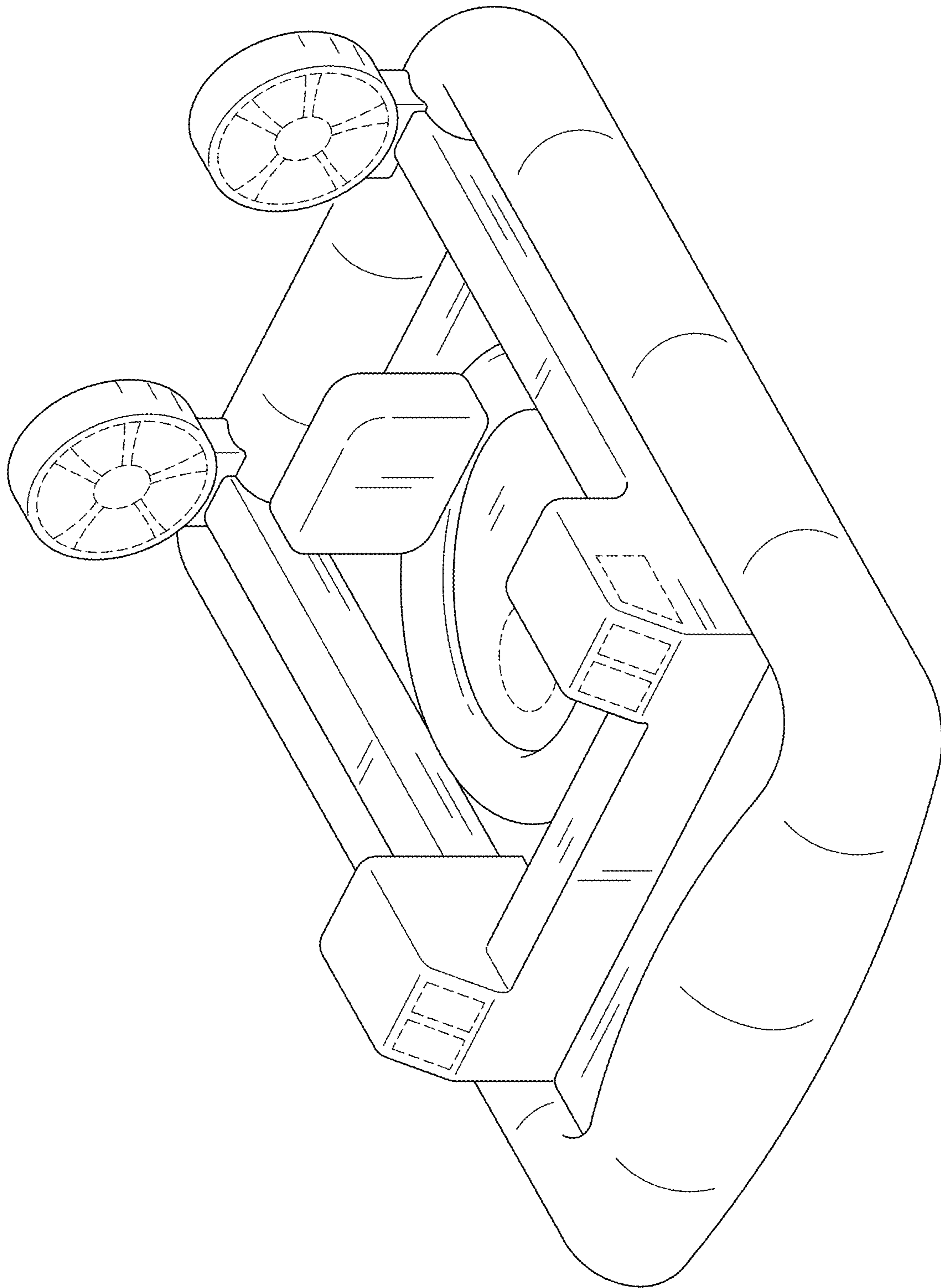


FIG. 1

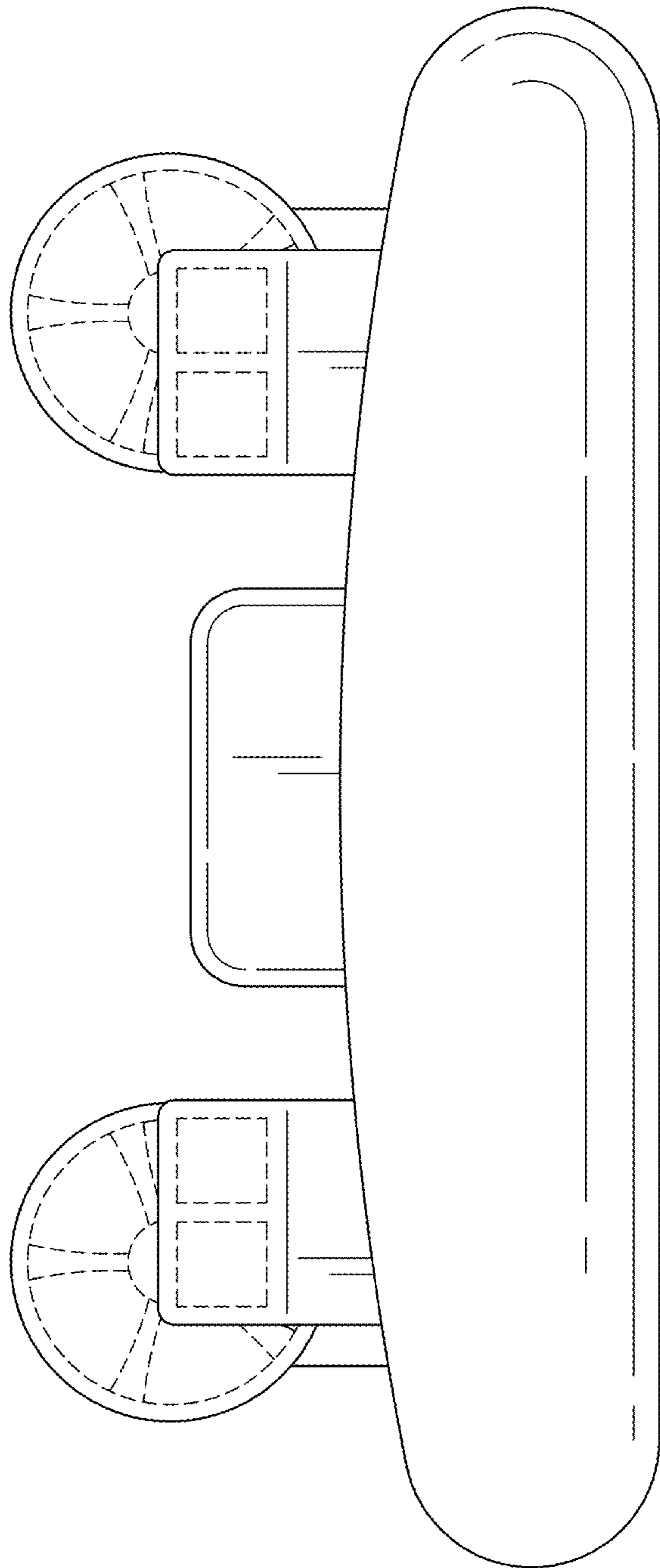


FIG. 2

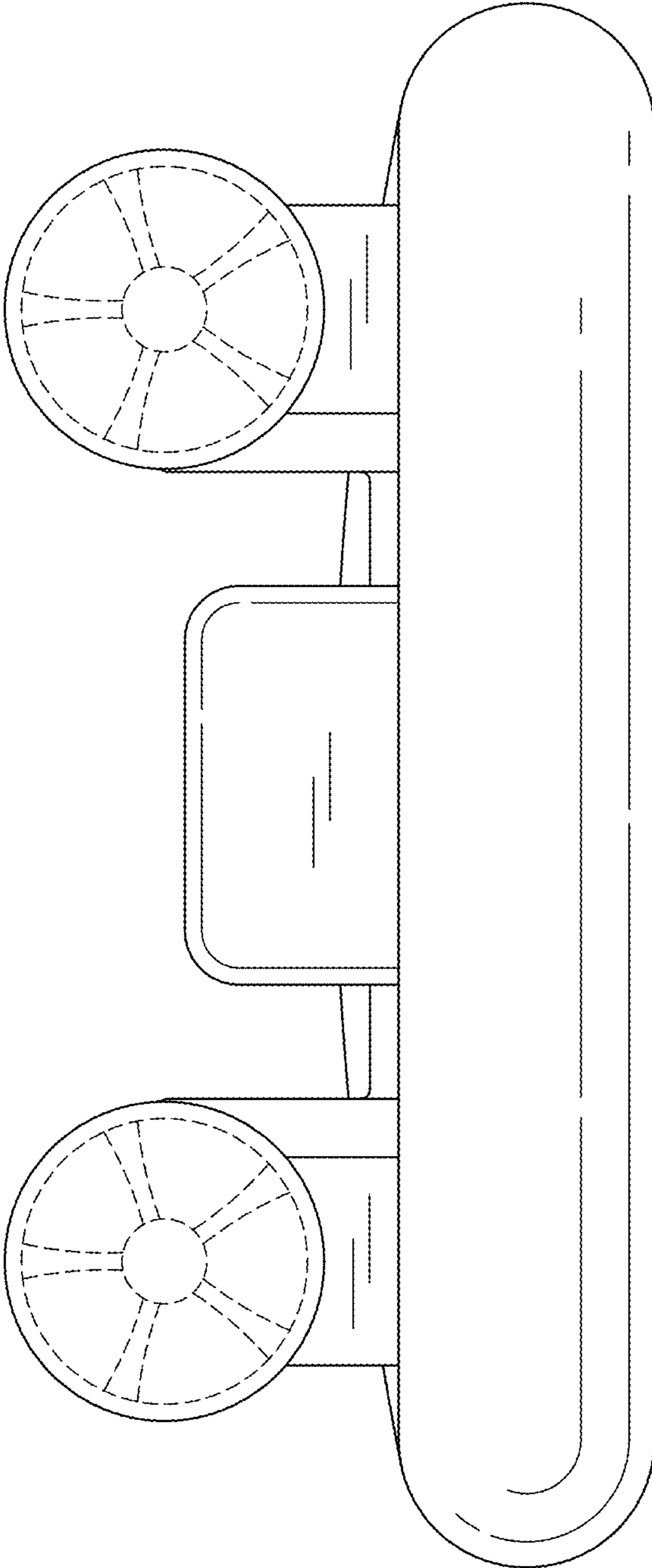


FIG. 3

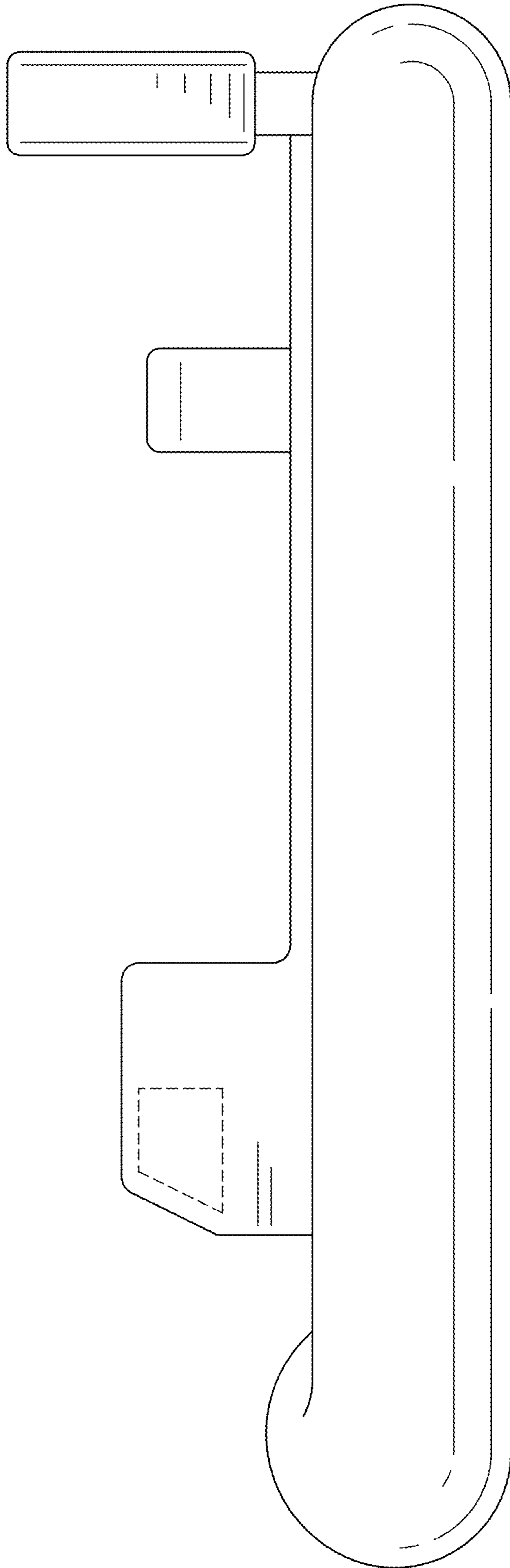


FIG. 4

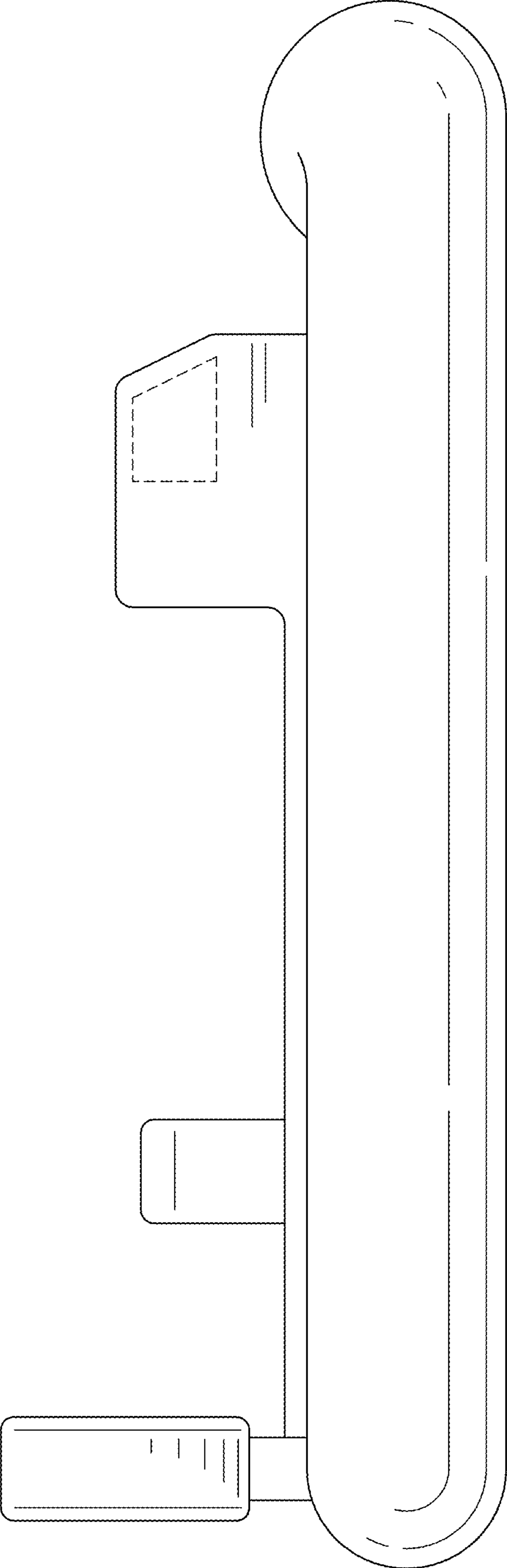


FIG. 5

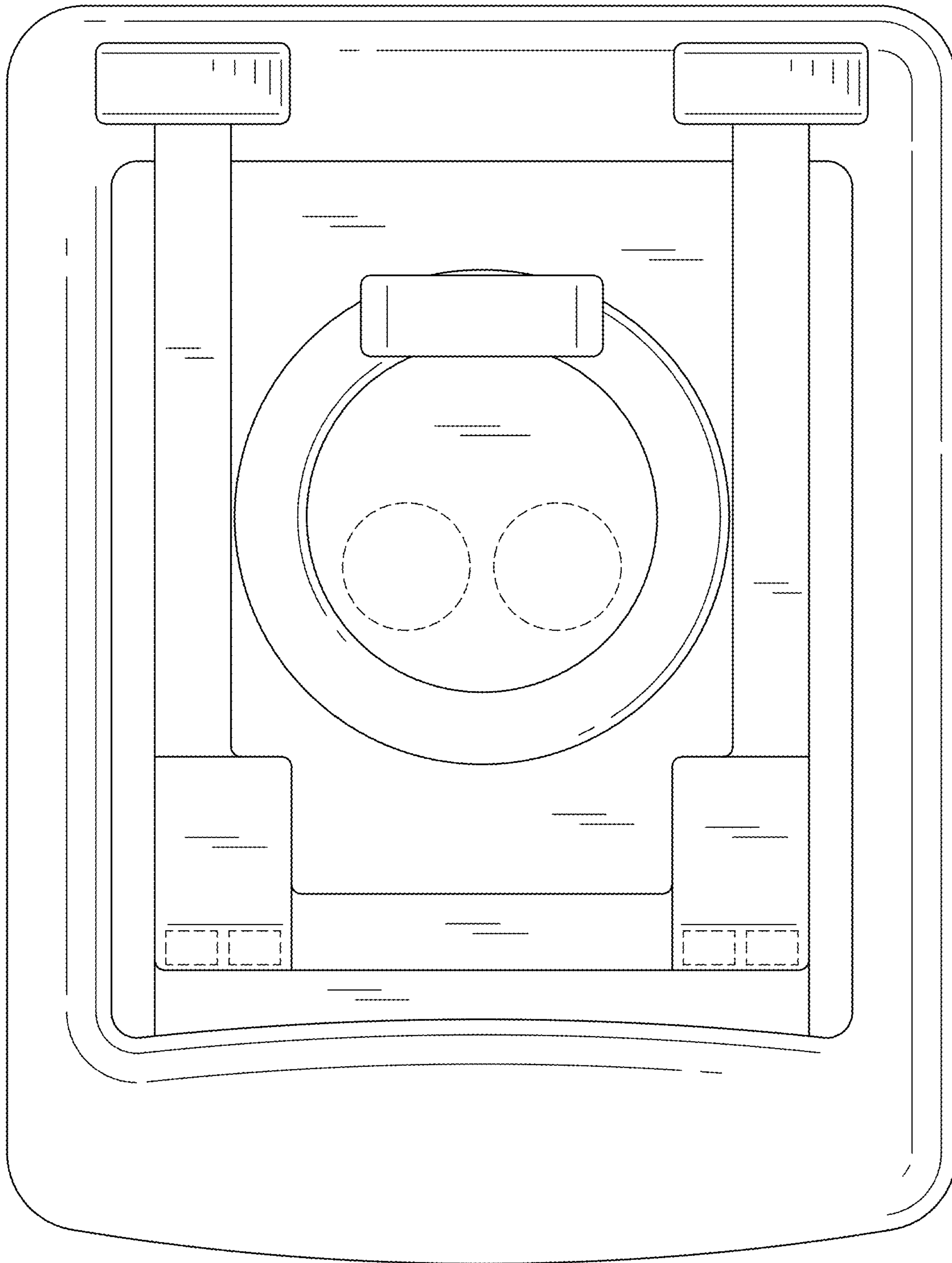


FIG. 6

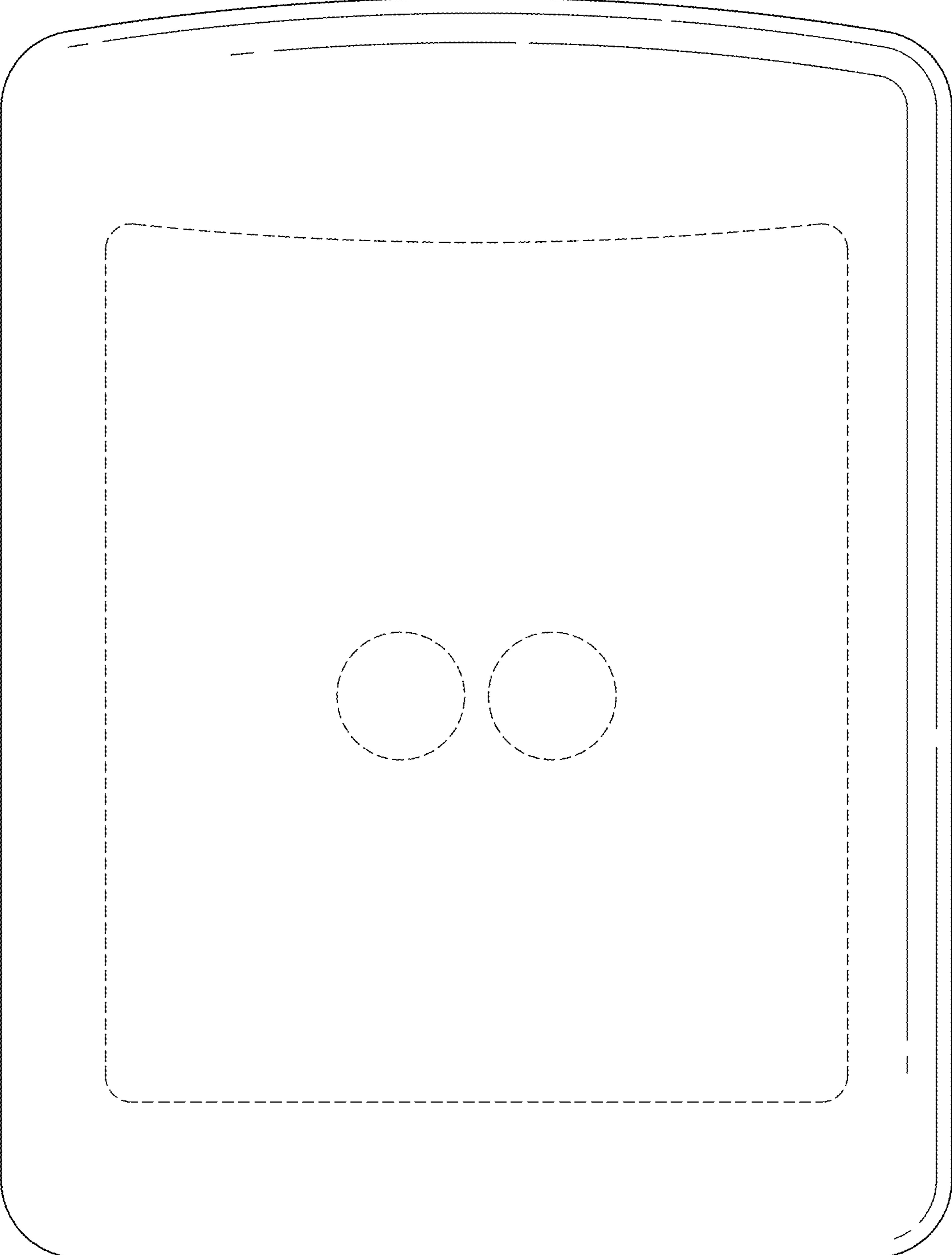


FIG. 7