



US00D883896S

(12) **United States Design Patent**
Redman

(10) **Patent No.:** **US D883,896 S**

(45) **Date of Patent:** **** May 12, 2020**

(54) **BOAT**

OTHER PUBLICATIONS

(71) Applicant: **Redman Whiteley Dixon Ltd.**,
Brockenhurst (GB)

Information Disclosure Statement from Justin Redman; May 31, 2019, 1 page.

(72) Inventor: **Justin Redman**, Brockenhurst (GB)

* cited by examiner

(73) Assignee: **Redman Whiteley Dixon Ltd.**,
Brockenhurst (GB)

Primary Examiner — Cynthia M. Chin

(74) *Attorney, Agent, or Firm* — Taft Stettinius &
Hollister LLP

(**) Term: **15 Years**

(21) Appl. No.: **29/643,305**

(57) **CLAIM**

(22) Filed: **Apr. 6, 2018**

The ornamental design for a boat, as shown and described.

(51) **LOC (12) Cl.** **12-06**

(52) **U.S. Cl.**
USPC **D12/300**

(58) **Field of Classification Search**
USPC D12/300, 301, 310–315, 317, 318;
D21/542, 543; 114/61.1, 61.31, 61.14,
114/72, 73, 258–262
CPC B63B 1/00; B63B 1/04; B63B 1/06; B63B
1/08; B63B 1/10; B63B 1/38
See application file for complete search history.

DESCRIPTION

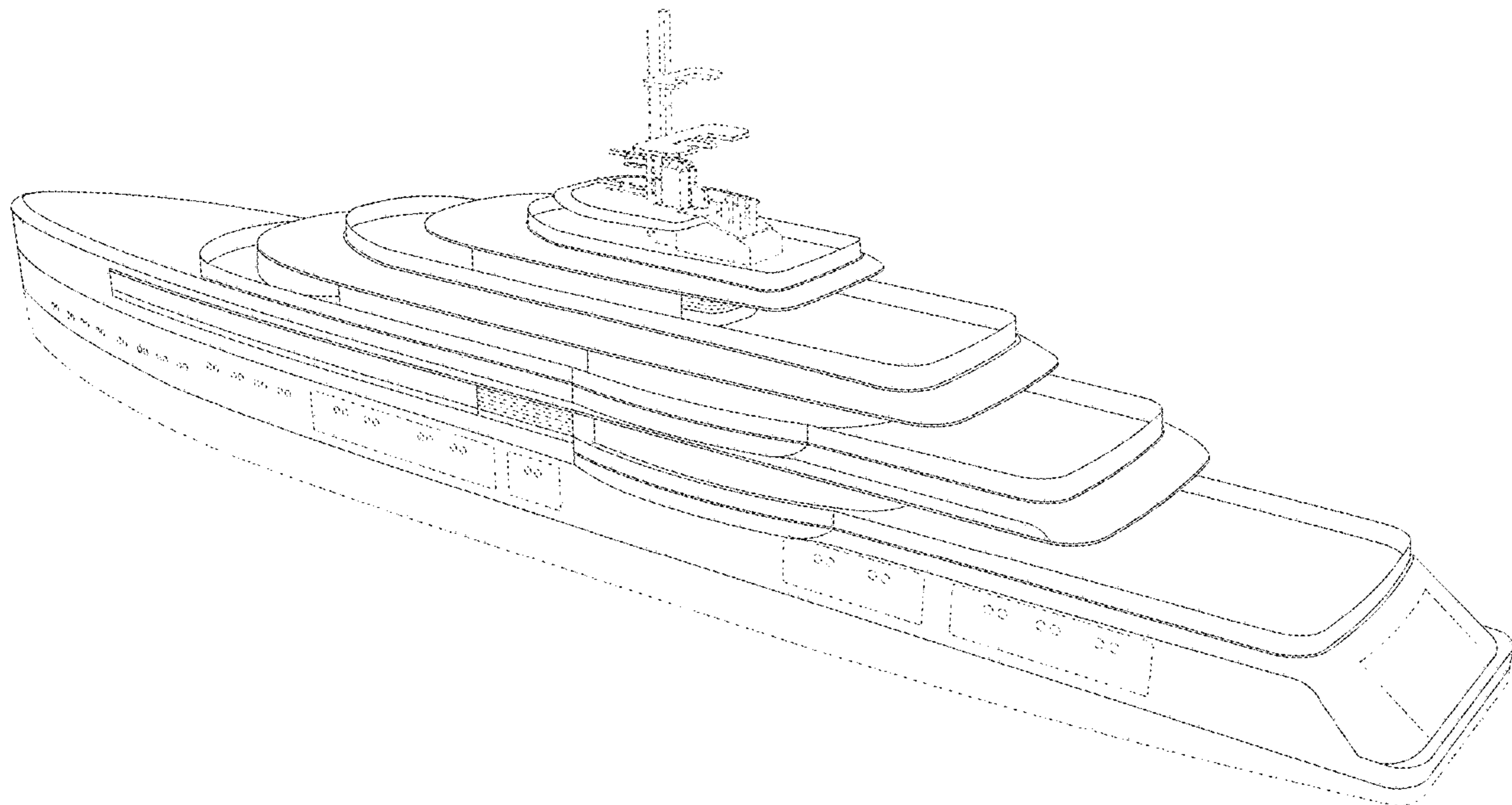
(56) **References Cited**

U.S. PATENT DOCUMENTS

5,529,009	A *	6/1996	Faury	B63B 1/125 114/61.16
D548,666	S *	8/2007	Laupman	D12/300
D553,071	S *	10/2007	de Rover	D12/315
D574,313	S *	8/2008	de Rover	D12/300
7,712,426	B1 *	5/2010	Ledder	B63B 1/042 114/271
D724,517	S *	3/2015	Starck	D12/318
D788,015	S *	5/2017	Lovo	D12/315

FIG. 1 is a top, rear, port side perspective view of a boat showing my new design;
FIG. 2 is a top, front, starboard side perspective view of the boat illustrated in FIG. 1;
FIG. 3 is a starboard side elevational view of the boat illustrated in FIG. 1;
FIG. 4 is a front elevational view of the boat illustrated in FIG. 1;
FIG. 5 is a rear elevational view of the boat illustrated in FIG. 1;
FIG. 6 is a top plan view of the boat illustrated in FIG. 1; and,
FIG. 7 is a bottom plan view of the boat illustrated in FIG. 1.
The broken lines are for the purpose of illustrating portions of the boat that form no part of the claimed design.

1 Claim, 7 Drawing Sheets



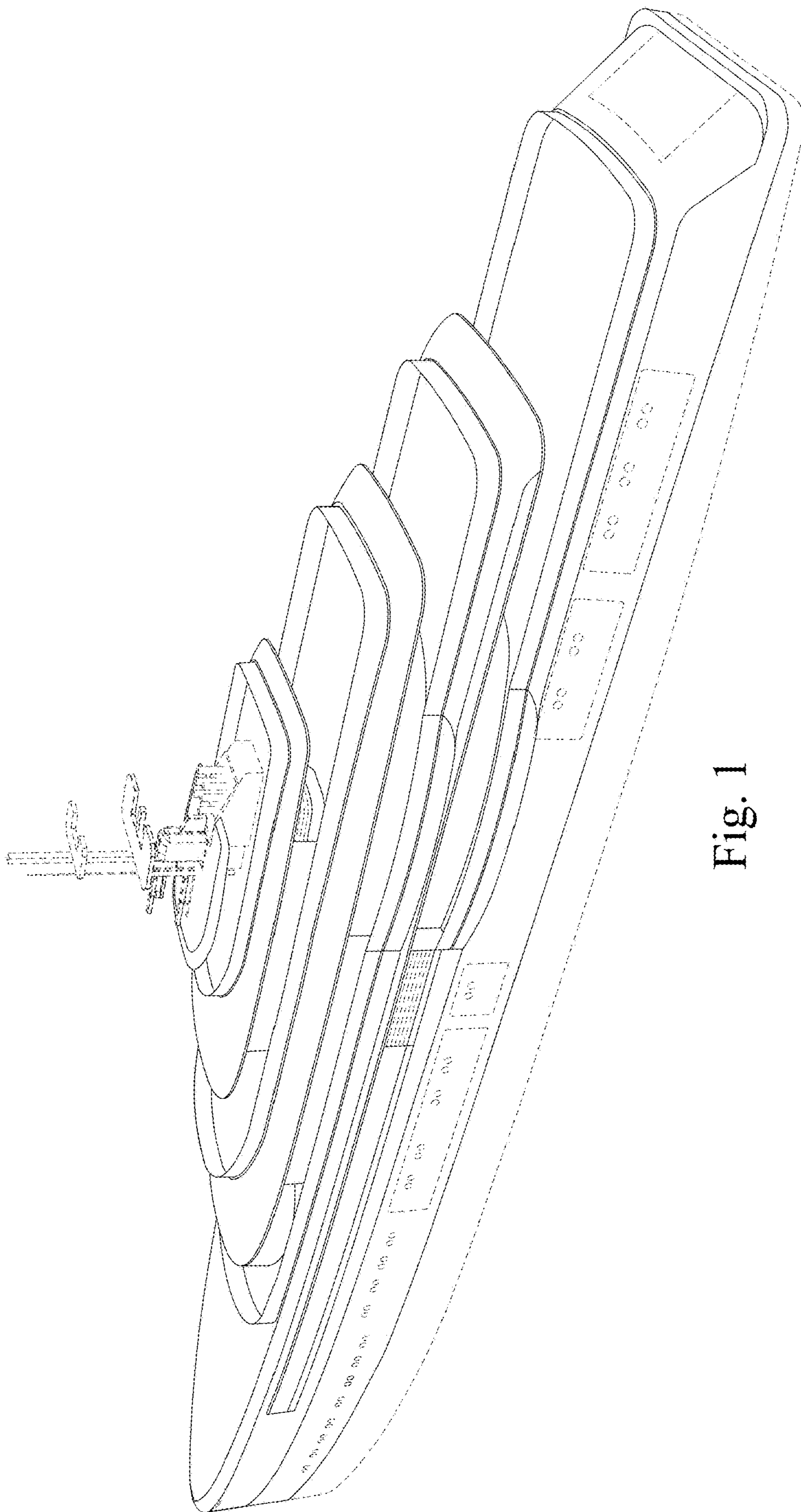


Fig. 1

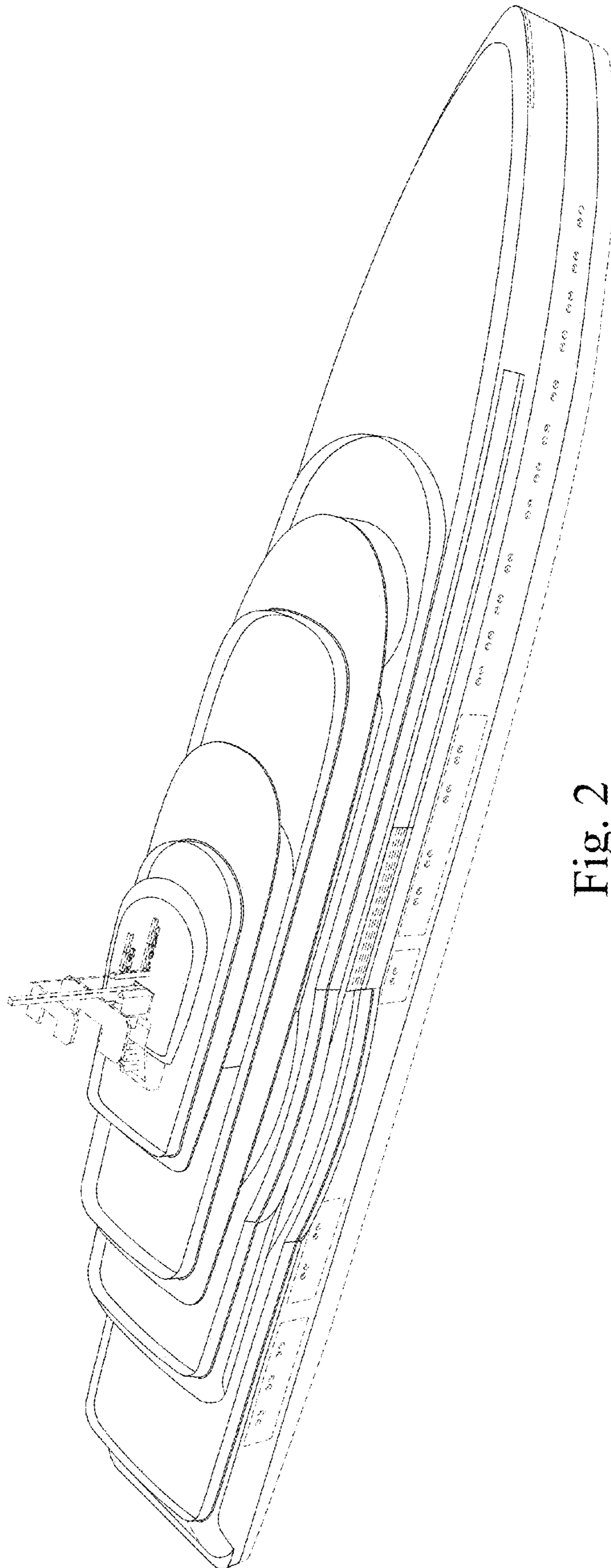


Fig. 2

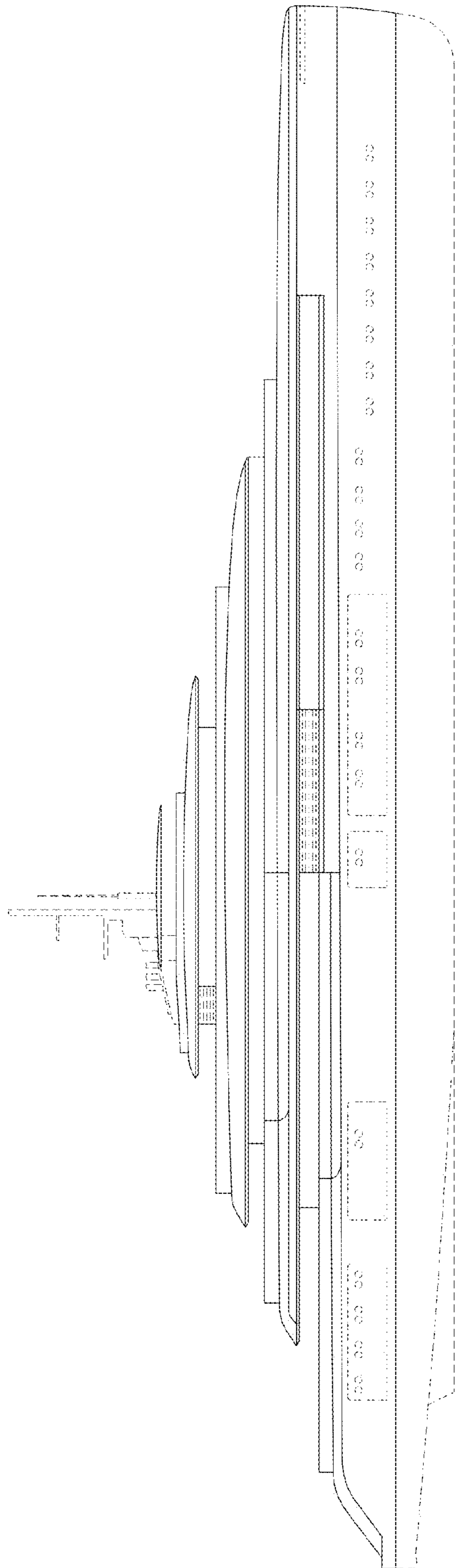


Fig. 3

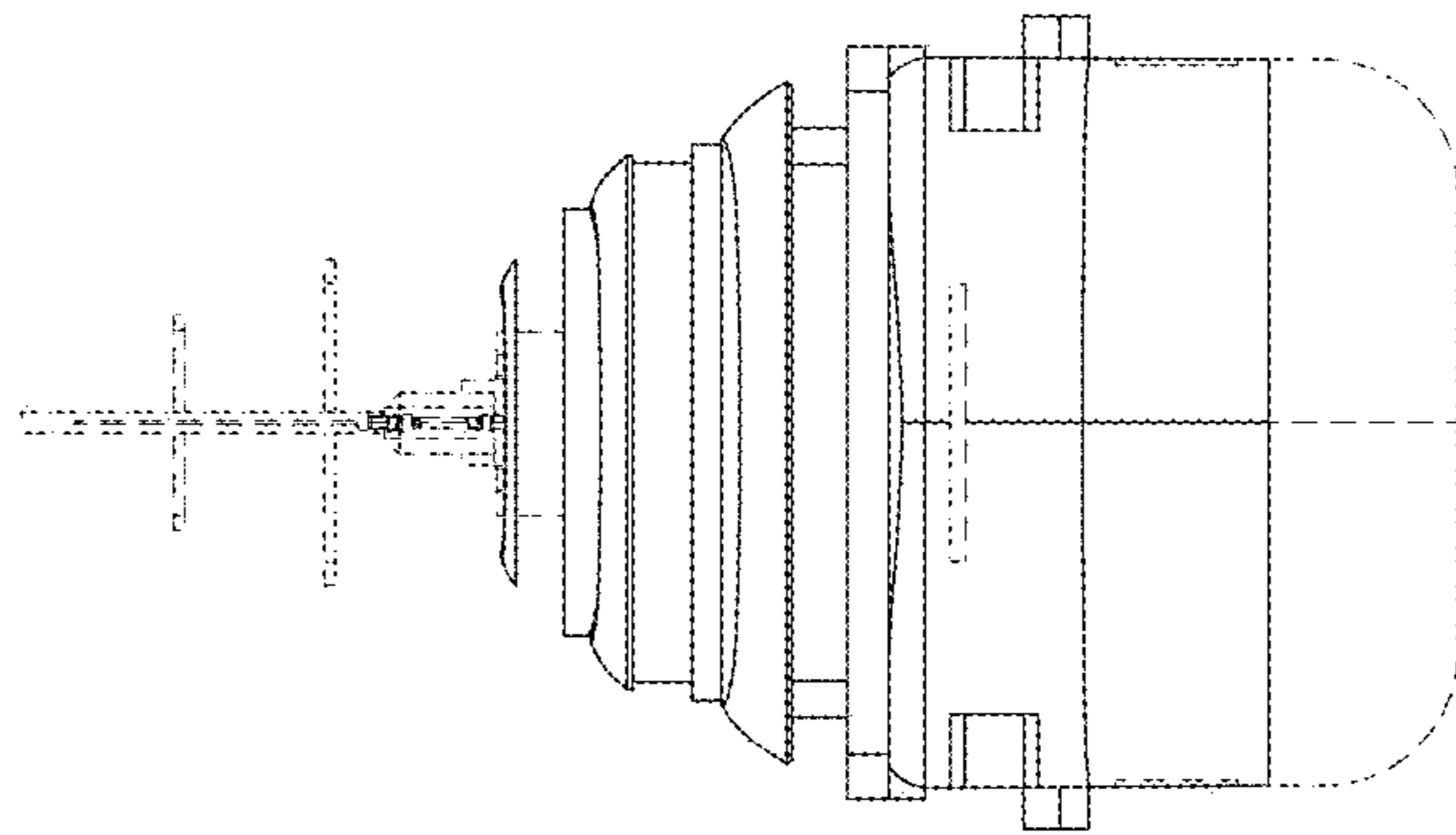


Fig. 4

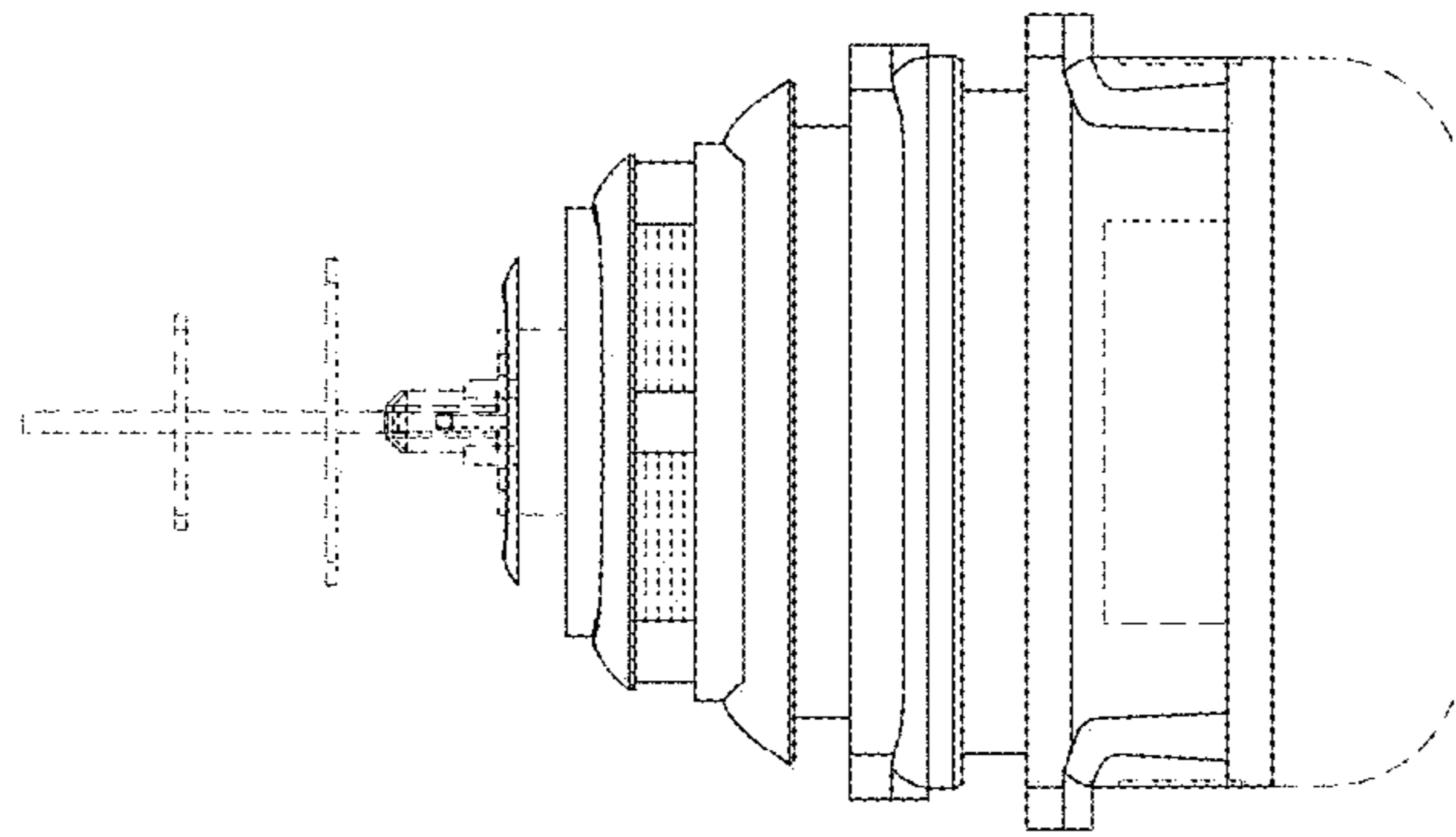


Fig. 5

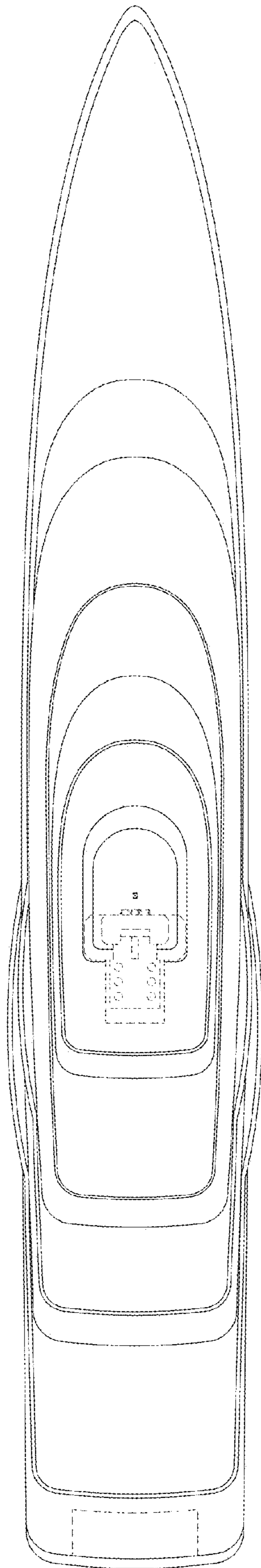


Fig. 6

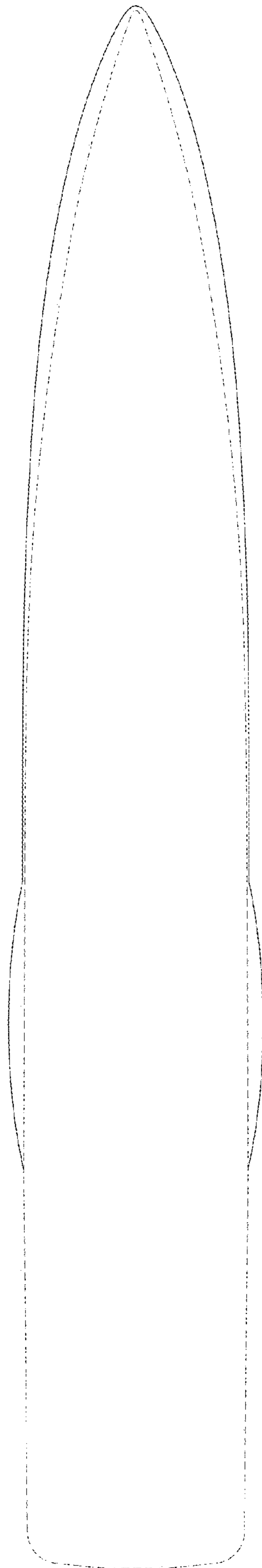


Fig. 7