



US00D883893S

(12) **United States Design Patent**
Johnson

(10) **Patent No.:** **US D883,893 S**

(45) **Date of Patent:** **** May 12, 2020**

(54) **MOTOR VEHICLE WHEEL**

(71) Applicant: **Diablo Racing Inc.**, Irwindale, CA (US)

(72) Inventor: **Kelly Johnson**, Placentia, CA (US)

(73) Assignee: **Diablo Racing Inc.**, Irwindale, CA (US)

(**) Term: **15 Years**

(21) Appl. No.: **29/675,400**

(22) Filed: **Dec. 31, 2018**

(51) **LOC (12) Cl.** **12-16**

(52) **U.S. Cl.**
USPC **D12/211**

(58) **Field of Classification Search**
USPC D12/204–213; D21/563
CPC B60B 7/00; B60B 7/02; B60B 7/04; B60B 7/01; B60B 7/06; B60B 3/02; B60B 3/06; B60B 3/10; B60B 1/00; B60B 1/08; B60B 1/10; B60B 1/12
See application file for complete search history.

(56) **References Cited**

U.S. PATENT DOCUMENTS

D404,702 S	1/1999	Celeste	
D416,534 S *	11/1999	Couzyn	D12/211
D433,987 S *	11/2000	Couzyn	D12/211
D499,058 S	11/2004	Iwauchi	
D526,267 S	8/2006	Looho	
D538,731 S	3/2007	Iwauchi	
D548,167 S *	8/2007	Groom	D12/211
D582,830 S *	12/2008	Musser	D12/211
D584,673 S	1/2009	Chung	
D625,241 S *	10/2010	Zhao	D12/211
D651,956 S	1/2012	Ectors	
D659,069 S *	5/2012	Johnson	D12/211
D671,483 S *	11/2012	Chung	D12/211

D686,135 S	7/2013	Borkert	
D686,963 S *	7/2013	Hale, Jr.	D12/211
D691,542 S *	10/2013	Chan	D12/209
D697,007 S	1/2014	Pollmann	
D704,121 S *	5/2014	Chung	D12/211
D704,122 S *	5/2014	Chung	D12/211
D706,195 S	6/2014	Lee	
D706,196 S *	6/2014	Lee	D12/211
D712,334 S *	9/2014	Hale, Jr.	D12/211
D717,224 S *	11/2014	Kim	D12/211
D719,496 S *	12/2014	Johnson	D12/209
D721,318 S *	1/2015	Kim	D12/211
D722,937 S *	2/2015	Johnson	D12/209
D724,515 S *	3/2015	Chung	D12/209
D751,481 S *	3/2016	Chung	D12/209
D751,966 S *	3/2016	Zhao	D12/211
D763,164 S	8/2016	Chung	
D765,574 S *	9/2016	Hale, Jr.	D12/211
D775,051 S *	12/2016	Alfonso	D12/211
D776,040 S *	1/2017	Zhao	D12/211
D780,662 S *	3/2017	Zhao	D12/211
D786,160 S *	5/2017	Youssef	D12/211
D786,768 S *	5/2017	Youssef	D12/211

(Continued)

Primary Examiner — Stacia A Cadmus

(74) *Attorney, Agent, or Firm* — Phil IP Law Group Inc.; Narek Zohrabyan

(57) **CLAIM**

The ornamental design for an motor vehicle wheel, as shown and described.

DESCRIPTION

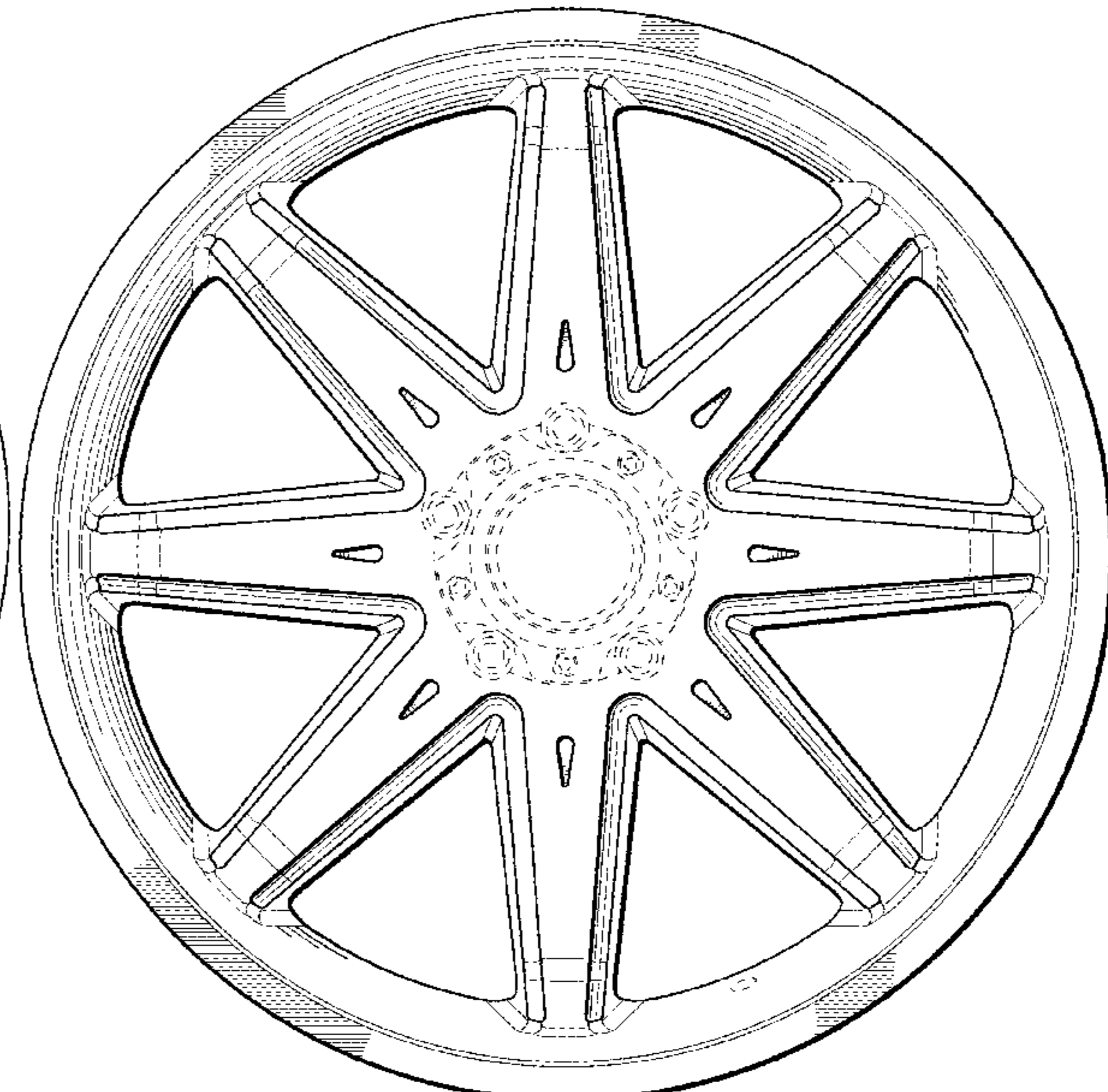
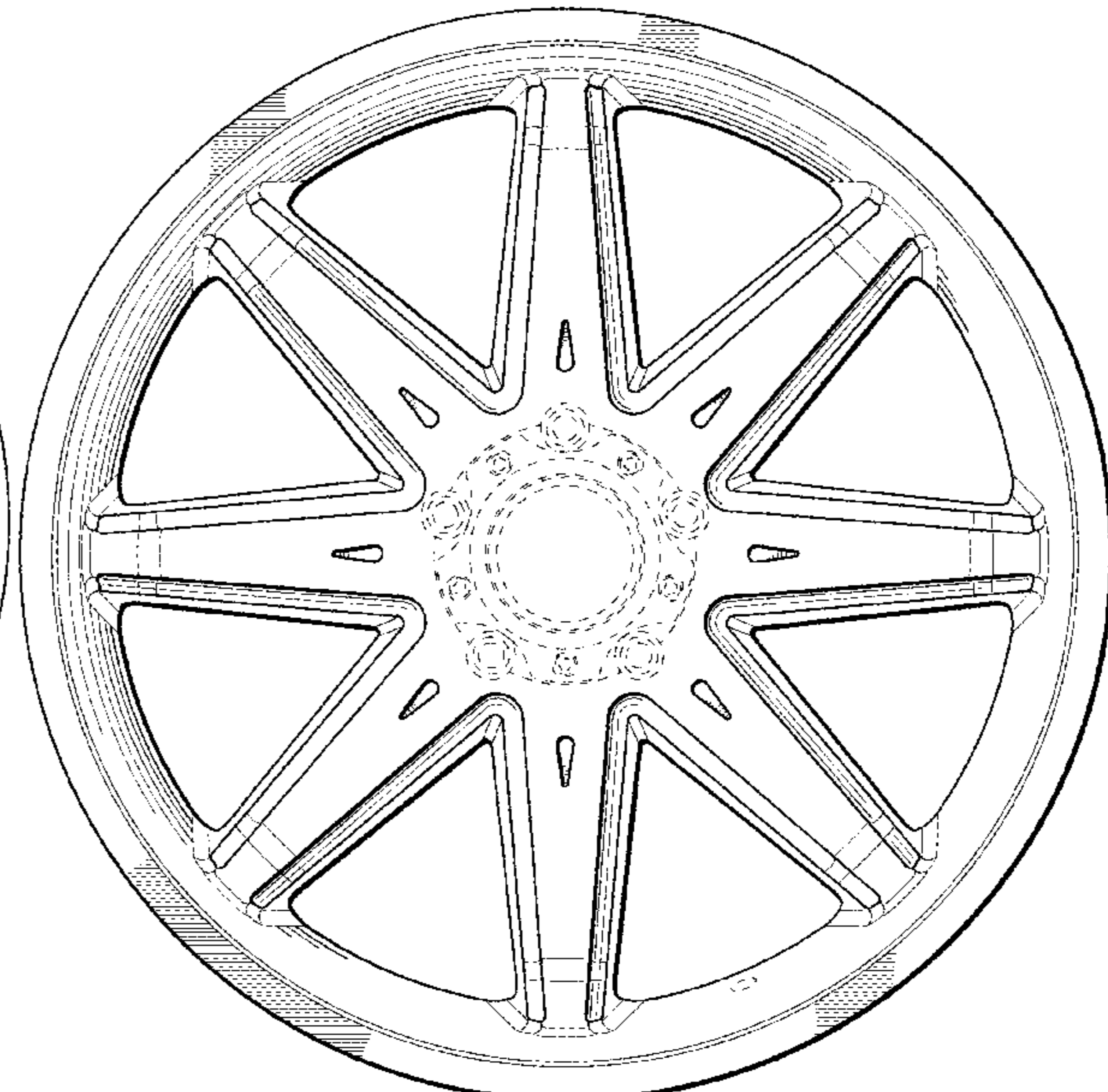
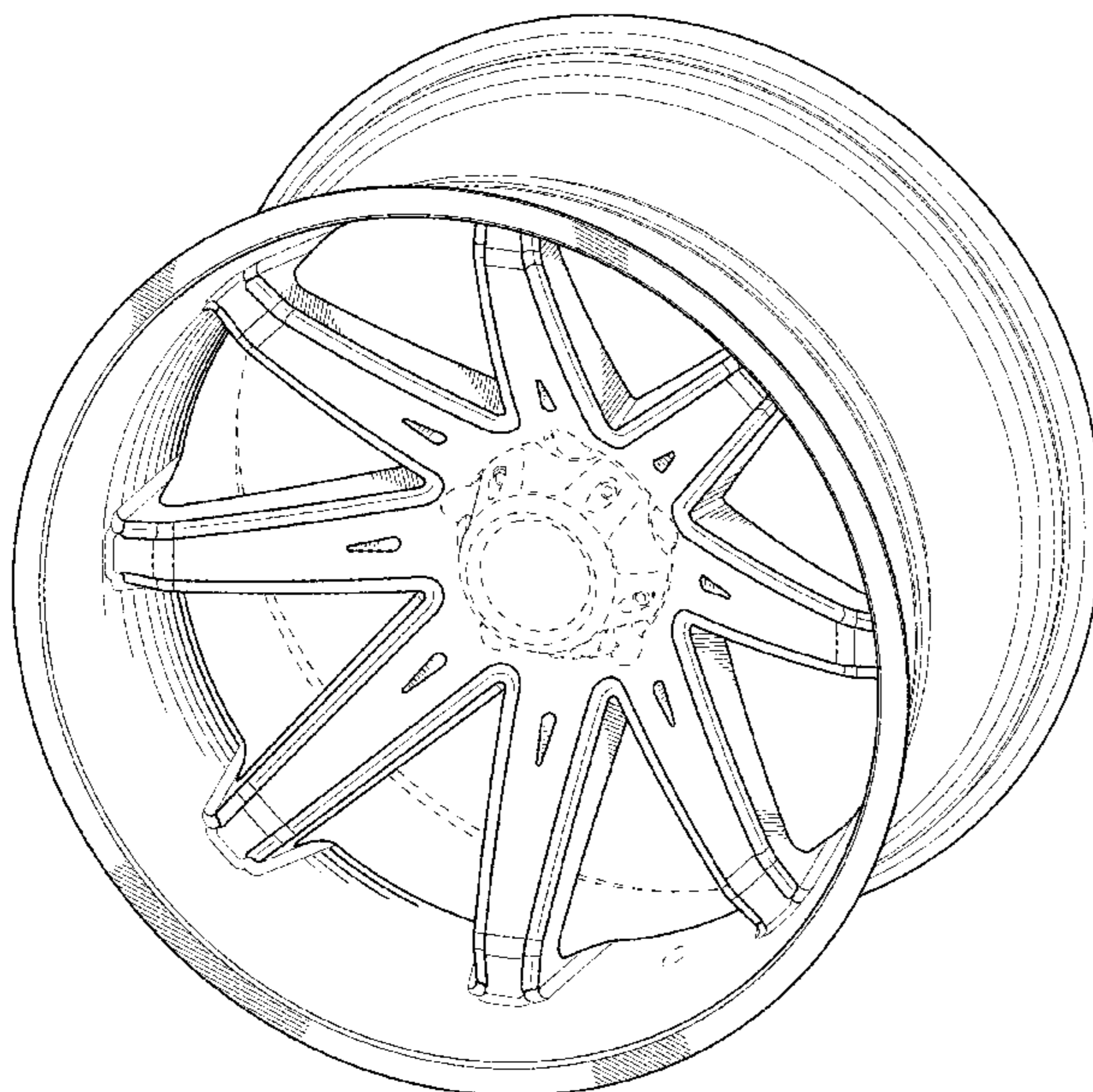
FIG. 1—Top, front, right side perspective view an motor vehicle wheel;

FIG. 2—Front elevation view; and,

FIG. 3—Top plan view.

The broken lines shown are included for the purpose of illustrating the unclaimed portions of the motor vehicle wheel and form no part of the claim.

1 Claim, 3 Drawing Sheets



(56)

References Cited

U.S. PATENT DOCUMENTS

D791,051 S	*	7/2017	Johnson	D12/211
D799,398 S	*	10/2017	Liffick	D12/211
D803,753 S	*	11/2017	Zhao	D12/211
D806,630 S	*	1/2018	McMath	D12/211
D813,137 S	*	3/2018	Sempek	D12/209
D823,775 S	*	7/2018	Sempek	D12/211
D830,278 S	*	10/2018	Aslam	D12/213
D832,761 S	*	11/2018	Johnson	D12/209
D834,483 S	*	11/2018	Johnson	D12/209
D842,185 S	*	3/2019	Chung	D12/209
D856,255 S		8/2019	Johnson	
D857,595 S	*	8/2019	Luo	D12/211
D858,406 S		9/2019	Johnson	
D859,271 S	*	9/2019	Hejtmanek	D12/211
D860,103 S	*	9/2019	Milani	D12/211
D863,182 S	*	10/2019	Han	D12/209
D865,615 S	*	11/2019	Tran	D12/209

* cited by examiner

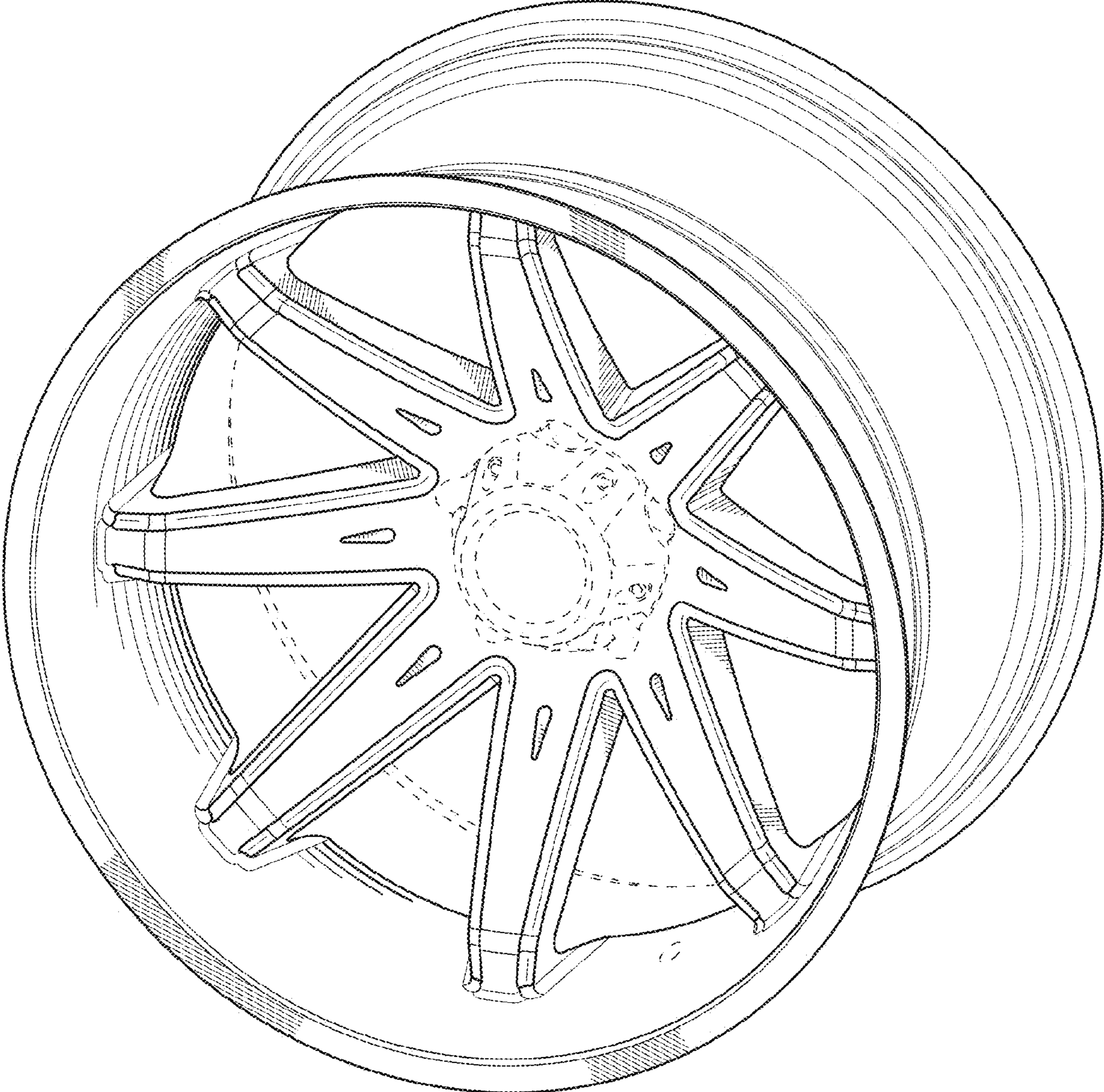


FIG. 1

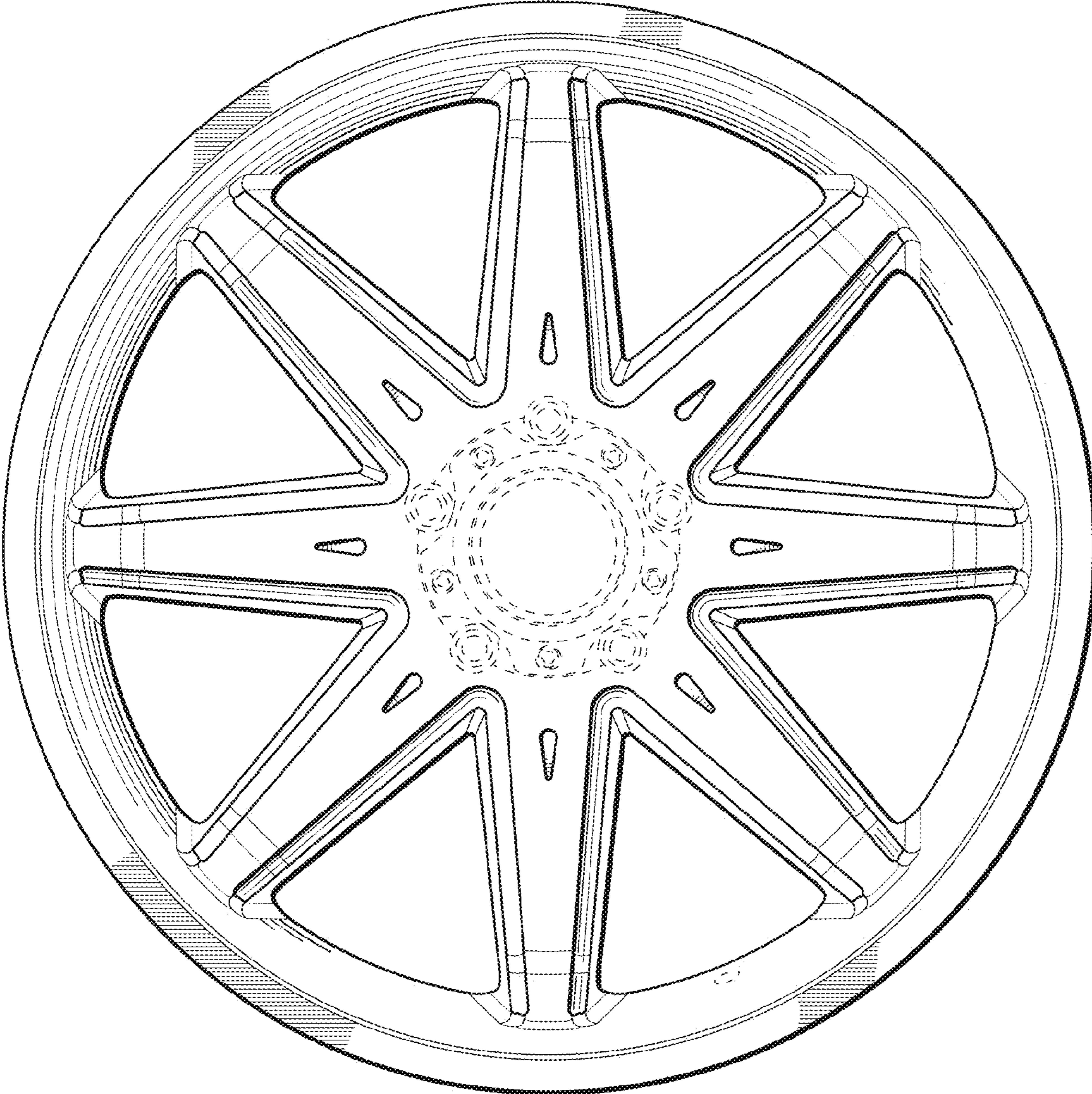


FIG. 2

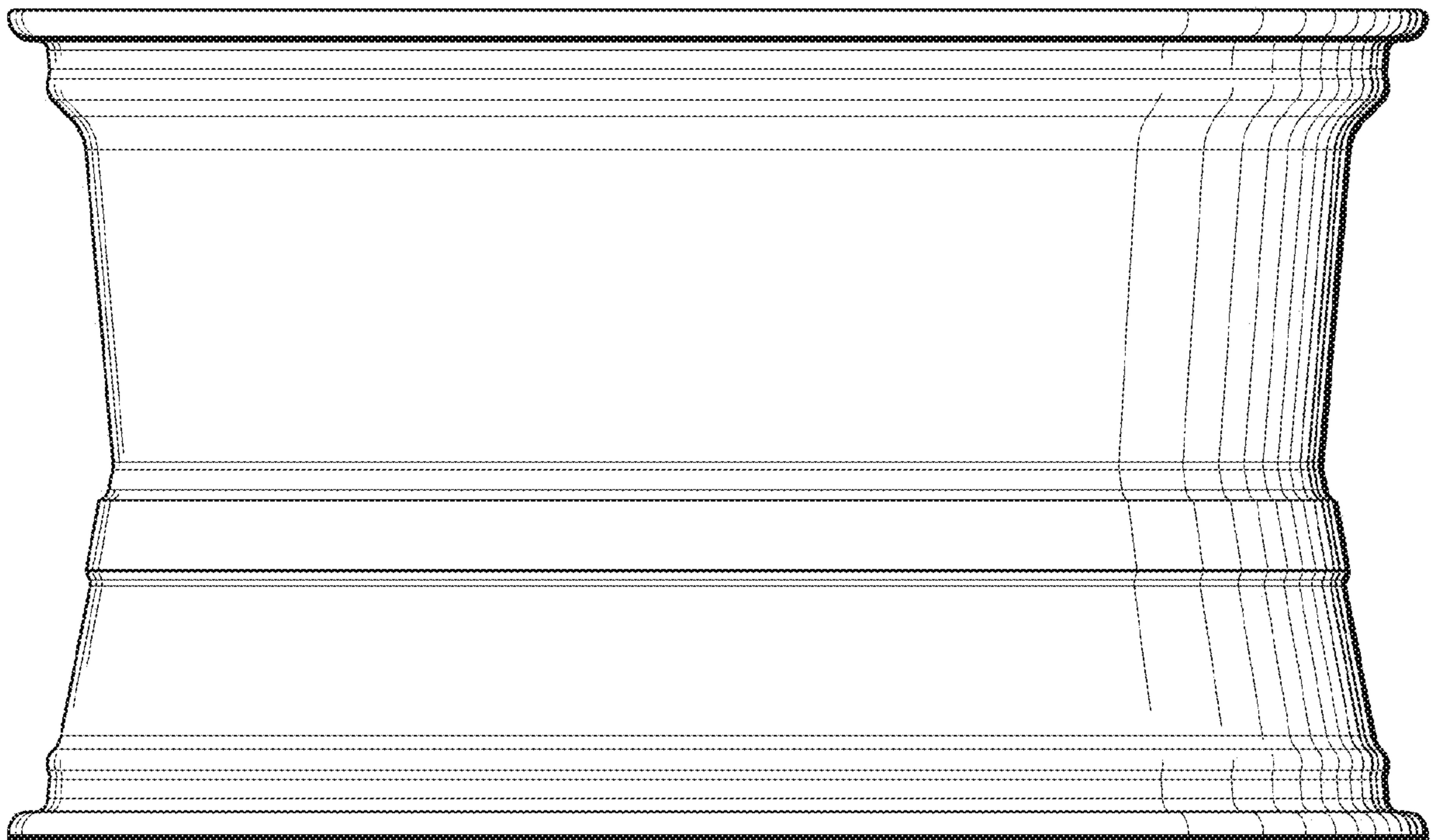


FIG. 3