



US00D883891S

(12) **United States Design Patent**
Johnson

(10) **Patent No.:** **US D883,891 S**

(45) **Date of Patent:** **** May 12, 2020**

(54) **AUTOMOBILE WHEEL**

(71) Applicant: **Diablo Racing Inc.**, Irwindale, CA (US)

(72) Inventor: **Kelly Johnson**, Placentia, CA (US)

(73) Assignee: **Diablo Racing Inc.**, Irwindale, CA (US)

(**) Term: **15 Years**

(21) Appl. No.: **29/715,485**

(22) Filed: **Dec. 2, 2019**

(51) **LOC (12) Cl.** **12-16**

(52) **U.S. Cl.**
USPC **D12/209**

(58) **Field of Classification Search**
USPC D12/204–213; D21/563
CPC B60B 7/00; B60B 7/02; B60B 7/04; B60B 7/01; B60B 7/06; B60B 3/04; B60B 3/06; B60B 3/10; B60B 1/00; B60B 1/08; B60B 1/10; B60B 1/12
See application file for complete search history.

(56) **References Cited**

U.S. PATENT DOCUMENTS

| | | | |
|--------------|---------|----------|---------|
| D404,702 S | 1/1999 | Celeste | |
| D499,058 S | 11/2004 | Iwauchi | |
| D526,267 S | 8/2006 | Looho | |
| D538,731 S | 3/2007 | Iwauchi | |
| D571,704 S * | 6/2008 | Kahn | D12/211 |
| D584,673 S | 1/2009 | Chung | |
| D651,956 S | 1/2012 | Ectors | |
| D686,135 S | 7/2013 | Borkert | |
| D695,666 S * | 12/2013 | Chung | D12/209 |
| D697,007 S | 1/2014 | Pollmann | |
| D706,195 S | 6/2014 | Lee | |
| D714,202 S * | 9/2014 | Kim | D12/209 |

| | | | |
|--------------|---------|------------|---------|
| D736,133 S * | 8/2015 | Hale | D12/209 |
| D746,209 S * | 12/2015 | Chung | D12/209 |
| D753,569 S * | 4/2016 | Chung | D12/209 |
| D754,045 S * | 4/2016 | Chung | D12/209 |
| D756,281 S * | 5/2016 | Chung | D12/209 |
| D759,561 S * | 6/2016 | Hale, Jr. | D12/209 |
| D763,164 S | 8/2016 | Chung | |
| D767,465 S * | 9/2016 | Liffick | D12/209 |
| D772,132 S * | 11/2016 | Kong | D12/211 |
| D784,897 S * | 4/2017 | Zhao | D12/211 |
| D787,412 S * | 5/2017 | Alfonso | D12/211 |
| D798,211 S * | 9/2017 | Chung | D12/209 |
| D824,315 S * | 7/2018 | Tran | D12/209 |
| D826,819 S * | 8/2018 | Chung | D12/209 |
| D830,931 S * | 10/2018 | Factor | D12/209 |
| D856,255 S | 8/2019 | Johnson | |
| D858,406 S * | 9/2019 | Johnson | D12/209 |
| D865,611 S * | 11/2019 | Interrante | D12/209 |
| D865,626 S * | 11/2019 | Han | D12/209 |
| D870,627 S * | 12/2019 | Lu | D12/209 |

* cited by examiner

Primary Examiner — Stacia A Cadmus

(74) *Attorney, Agent, or Firm* — Phil IP Law Group Inc.; Narek Zohrabyan

(57) **CLAIM**

The ornamental design for an automobile wheel, as shown and described.

DESCRIPTION

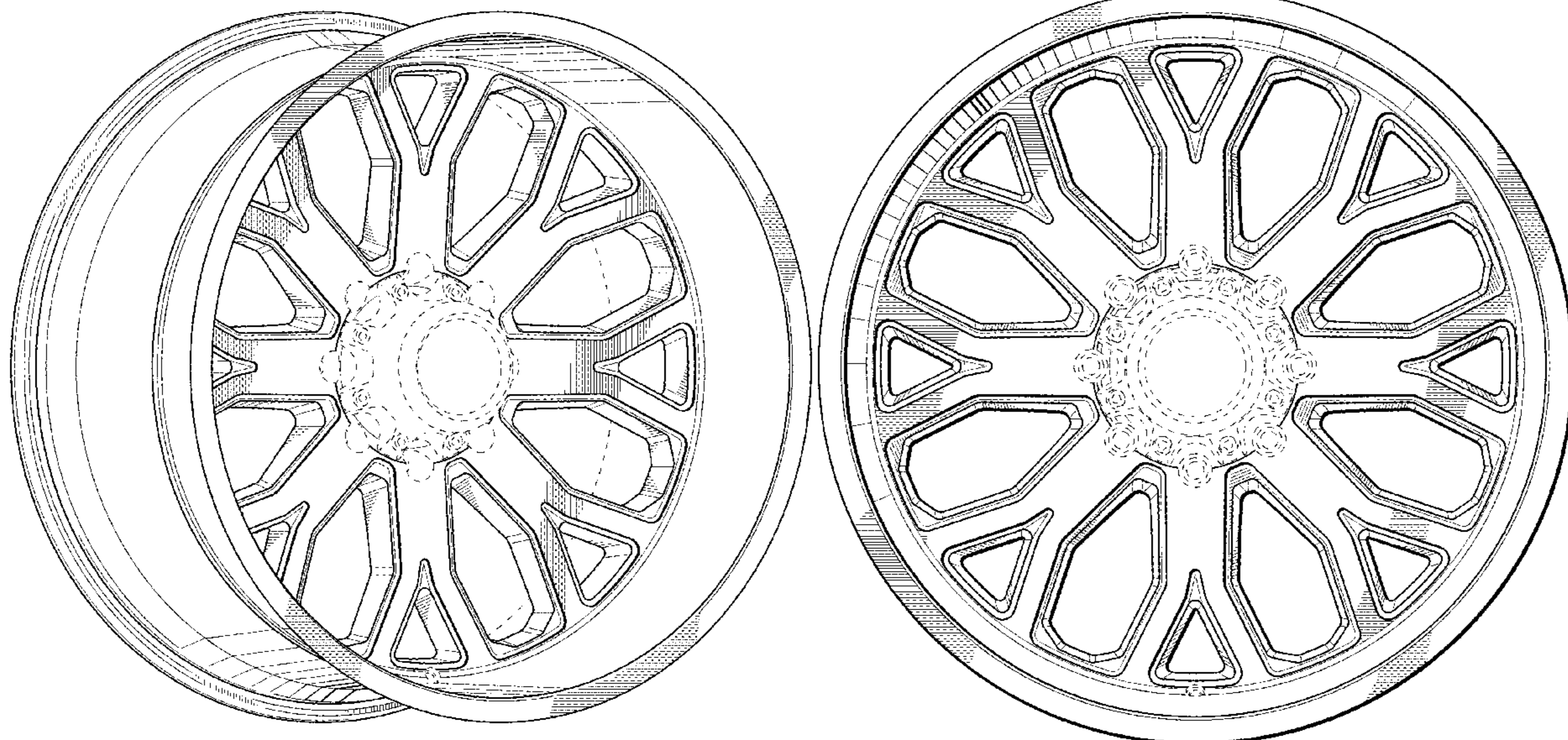
FIG. 1—Top, front, left side perspective view of an automobile wheel;

FIG. 2—Front elevation view; and,

FIG. 3—Top plan view, the automobile wheel being rotationally symmetric.

The broken lines shown are included for the purpose of illustrating the unclaimed portions of the automobile wheel and form no part of the claim.

1 Claim, 3 Drawing Sheets



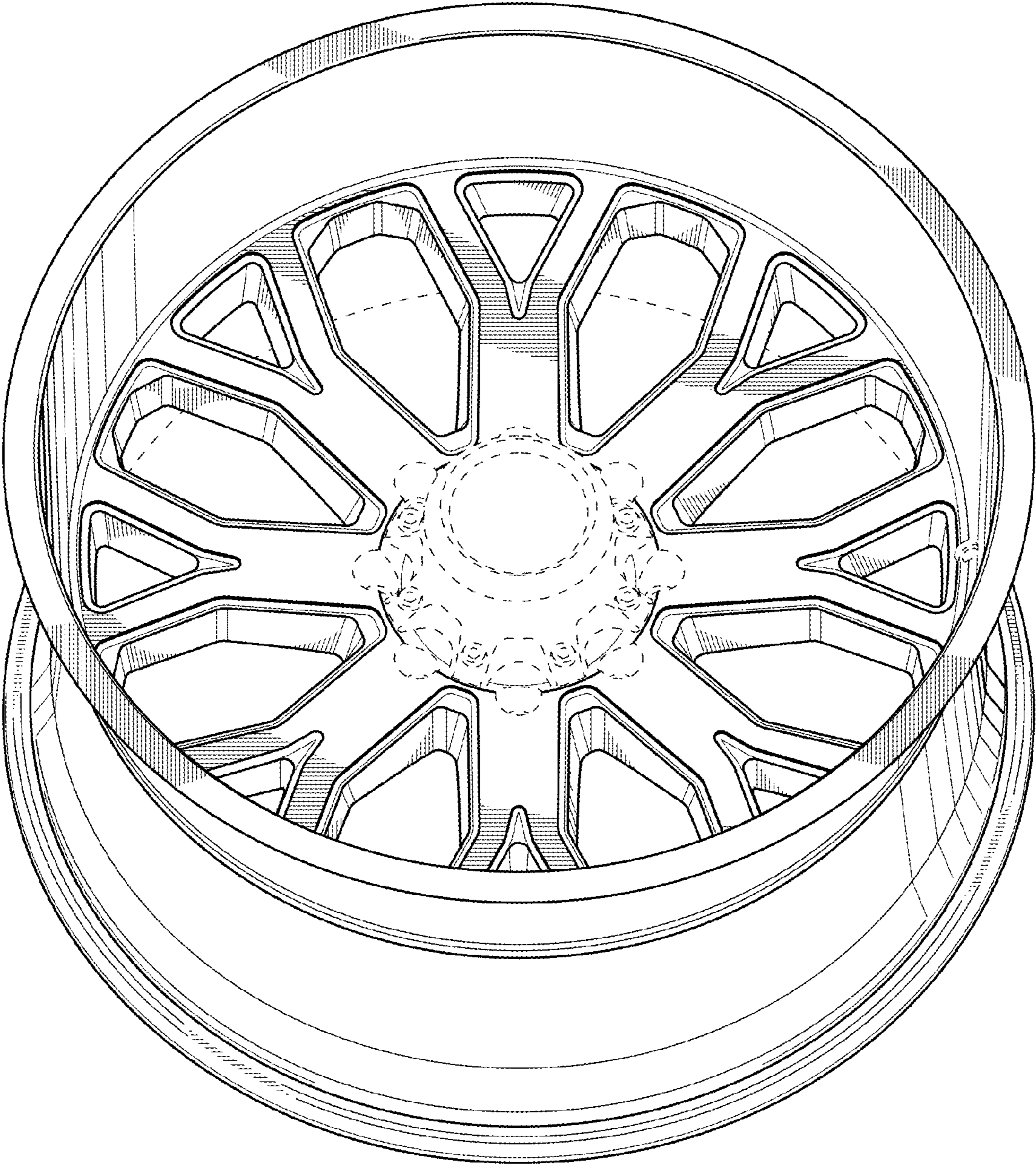


FIG. 1

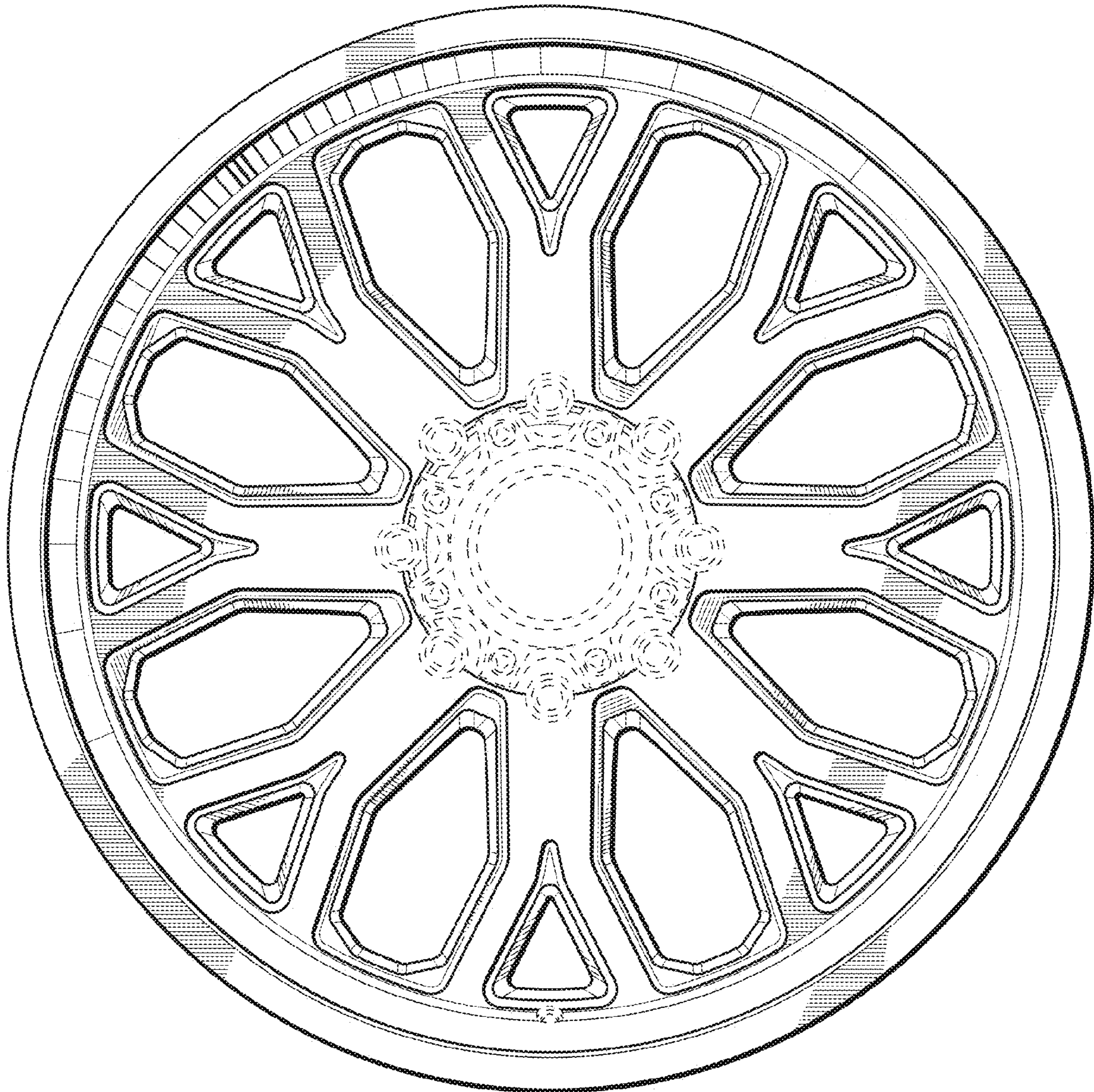


FIG. 2

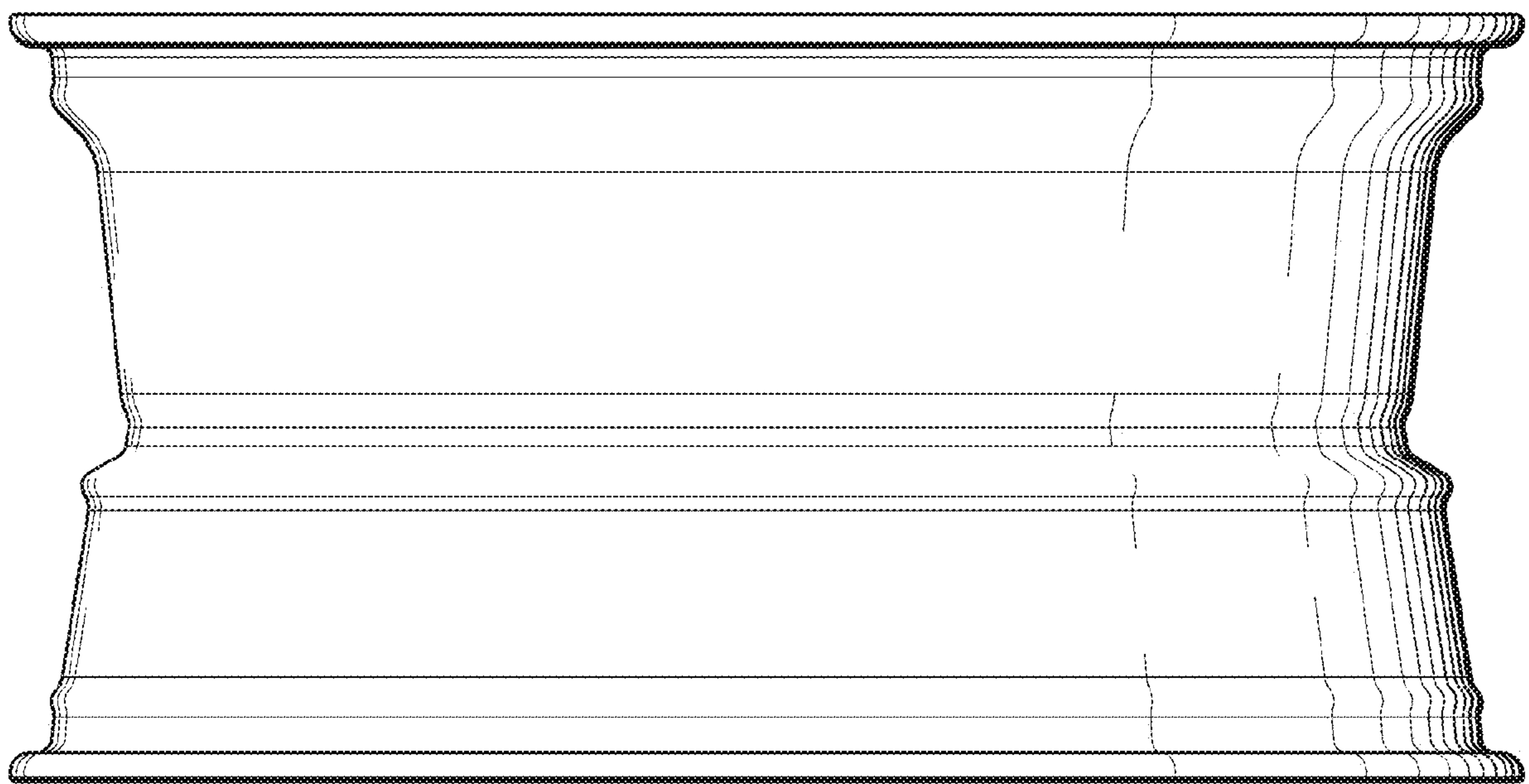


FIG. 3