



US00D883890S

(12) **United States Design Patent**
Metros et al.

(10) **Patent No.:** **US D883,890 S**
(45) **Date of Patent:** **** May 12, 2020**

- (54) **VEHICLE WHEEL**
- (71) Applicant: **Ford Global Technologies, LLC**,
Dearborn, MI (US)
- (72) Inventors: **Craig Metros**, Bloomfield, MI (US);
George Bucher, Dearborn, MI (US);
James Grake, Beverly Hills, MI (US);
Andrew Bazinski, Amherstburg (CA)
- (73) Assignee: **Ford Global Technologies, LLC**,
Dearborn, MI (US)
- (**) Term: **15 Years**
- (21) Appl. No.: **29/685,405**
- (22) Filed: **Mar. 28, 2019**
- (51) **LOC (12) Cl.** **12-16**
- (52) **U.S. Cl.**
USPC **D12/209**
- (58) **Field of Classification Search**
USPC D12/204–213; D21/563
CPC B60B 7/00; B60B 7/02; B60B 7/04; B60B
7/01; B60B 7/06; B60B 3/02; B60B 3/04;
B60B 3/06; B60B 3/10; B60B 1/00;
B60B 1/08; B60B 1/10; B60B 1/12
See application file for complete search history.

D643,356 S	8/2011	Gotschke	
D644,587 S	9/2011	Gotschke	
D647,449 S	10/2011	Gotschke	
D667,355 S	9/2012	Gotschke	
D667,767 S	9/2012	Gotschke	
D701,481 S	*	3/2014	Chung D12/211
D709,018 S	*	7/2014	Chung D12/211
D731,390 S	*	6/2015	Kobayashi D12/211
D733,026 S	*	6/2015	Chung D12/211
D735,103 S	*	7/2015	Lemke D12/209
D735,106 S	*	7/2015	Weil D12/209
D761,180 S		7/2016	Bucher et al.
D761,181 S		7/2016	Bucher et al.
D773,370 S		12/2016	Bucher et al.
D773,371 S		12/2016	Bucher et al.
D774,439 S	*	12/2016	Gallert D12/211
D778,801 S		2/2017	Bucher et al.
D791,047 S		7/2017	Bucher et al.
D791,671 S		7/2017	Bucher et al.
D810,648 S	*	2/2018	Chung D12/209
D820,759 S	*	6/2018	Gallert D12/209
D838,225 S	*	1/2019	Valencia Pollex D12/209
D870,009 S	*	12/2019	Stopka D12/209

* cited by examiner

Primary Examiner — Stacia A Cadmus
(74) *Attorney, Agent, or Firm* — Vichit Chea

(57) **CLAIM**

The ornamental design for a vehicle wheel, as shown and described.

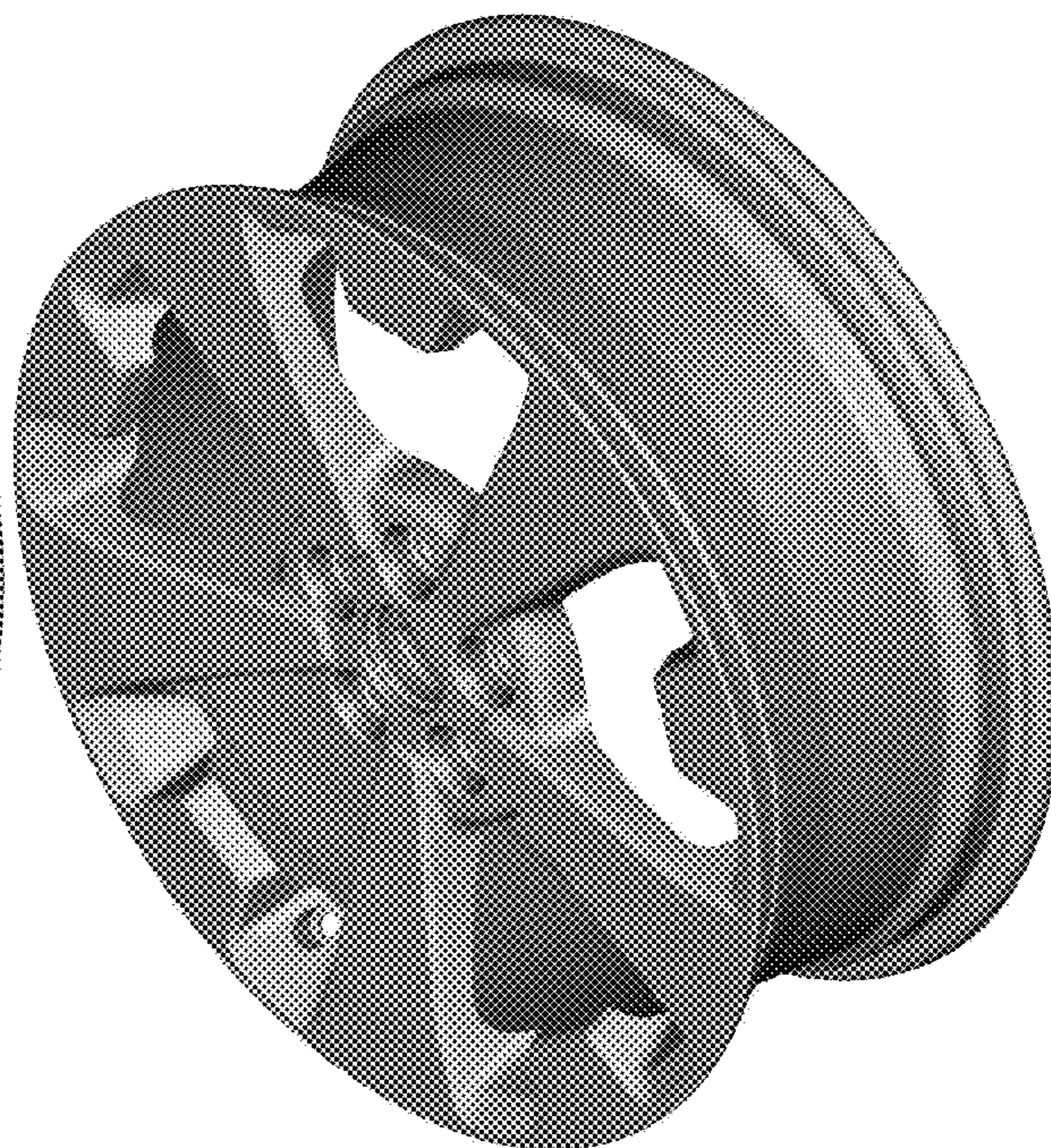
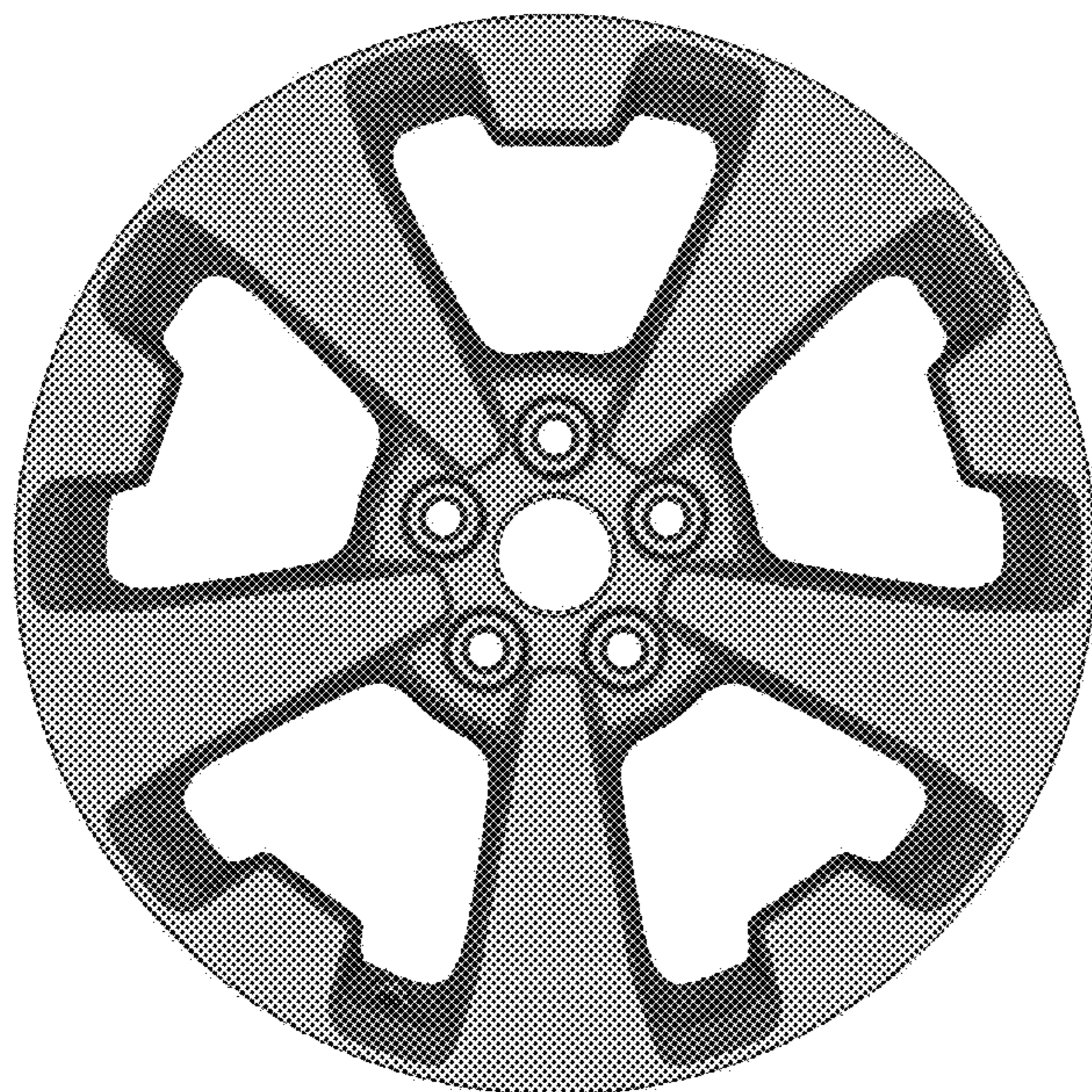
DESCRIPTION

FIG. 1 is a front elevational view of a vehicle wheel showing our new design; and, FIG. 2 is a perspective view thereof.

1 Claim, 2 Drawing Sheets

(56) **References Cited**
U.S. PATENT DOCUMENTS

D464,598 S	*	10/2002	Singer	D12/209
D509,783 S	*	9/2005	Fitzgerald	D12/211
D533,824 S	*	12/2006	Martin	D12/209
D619,072 S	*	7/2010	Gallert	D12/211



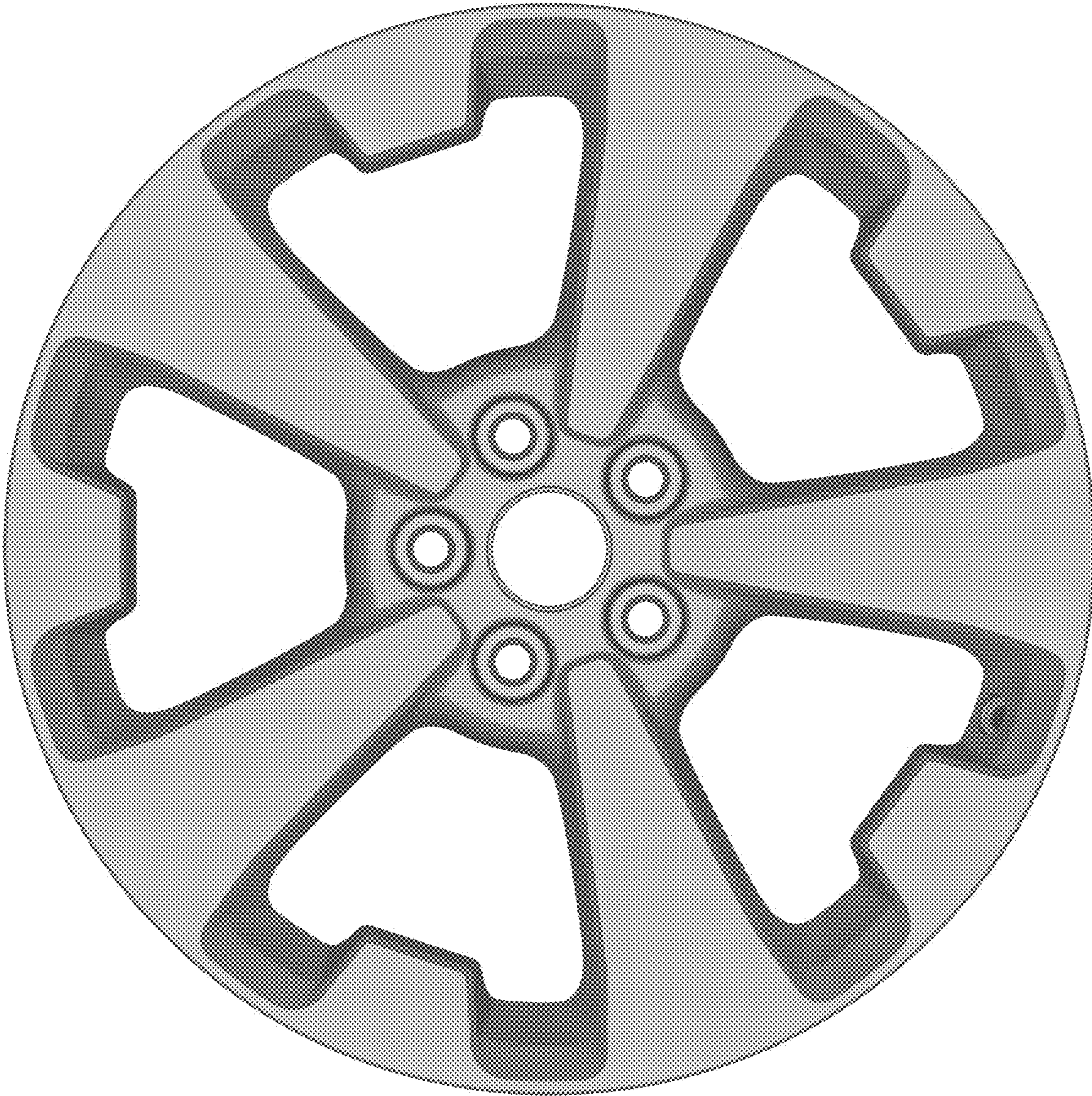


Fig. 1

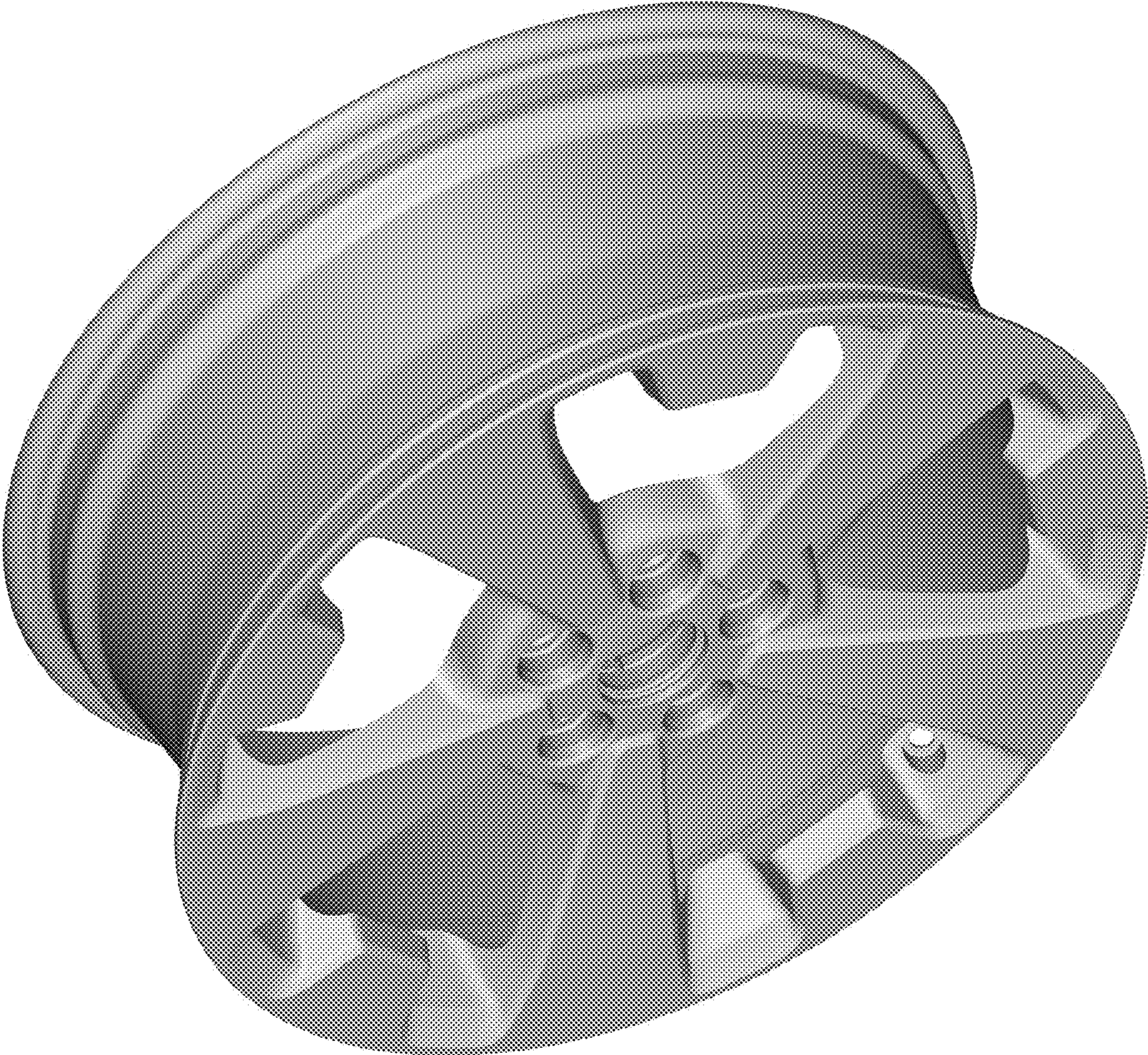


Fig. 2