



US00D883888S

(12) **United States Design Patent**
Daniel

(10) **Patent No.:** **US D883,888 S**

(45) **Date of Patent:** **** May 12, 2020**

(54) **VEHICLE WHEEL RIM**

(71) Applicant: **AUDI AG**, Ingolstadt (DE)

(72) Inventor: **Tünde Daniel**, Ingolstadt (DE)

(73) Assignee: **AUDI AG**, Ingolstadt (DE)

(**) Term: **15 Years**

(21) Appl. No.: **29/672,103**

(22) Filed: **Dec. 3, 2018**

(30) **Foreign Application Priority Data**

Jul. 10, 2018 (EM) 005 499 126

(51) **LOC (12) Cl.** **12-16**

(52) **U.S. Cl.**
USPC **D12/209**

(58) **Field of Classification Search**
USPC D12/204–213
CPC B60B 7/00; B60B 7/02; B60B 7/04; B60B
7/01; B60B 7/06; B60B 3/02; B60B 3/04;
B60B 3/06; B60B 3/10; B60B 1/00;
B60B 1/08; B60B 1/10; B60B 1/12
See application file for complete search history.

(56) **References Cited**

U.S. PATENT DOCUMENTS

D594,397 S * 6/2009 Laengerer D12/211
D621,765 S * 8/2010 Baum D12/209

D650,315 S * 12/2011 Juergens D12/211
D673,101 S * 12/2012 Behmer D12/211
D718,206 S * 11/2014 Song D12/211
D744,930 S * 12/2015 Chung D12/211
D761,182 S * 7/2016 Valencia Pollex D12/211
D775,049 S * 12/2016 Scheer D12/211
D794,528 S * 8/2017 Setter D12/211
D796,410 S * 9/2017 Churchill D12/211
D799,395 S * 10/2017 Chung D12/209
D808,324 S * 1/2018 Ninov D12/211
D826,822 S * 8/2018 Woodhouse D12/209
D832,181 S * 10/2018 Setter D12/211
D835,559 S * 12/2018 Langhals D12/209
D858,402 S * 9/2019 Betancourt D12/209
D858,416 S * 9/2019 Dewitt D12/211
D862,353 S * 10/2019 Bjerke D12/209
D872,675 S * 1/2020 O'Neill D12/211

* cited by examiner

Primary Examiner — Stacia A Cadmus

(74) *Attorney, Agent, or Firm* — Lucas & Mercanti, LLP;
Klaus P. Stoffel

(57) **CLAIM**

The ornamental design for a vehicle wheel rim, as shown and described.

DESCRIPTION

FIG. 1 is a front view of the vehicle wheel rim of the present invention; and,
FIG. 2 is a front, side perspective view thereof.

1 Claim, 2 Drawing Sheets

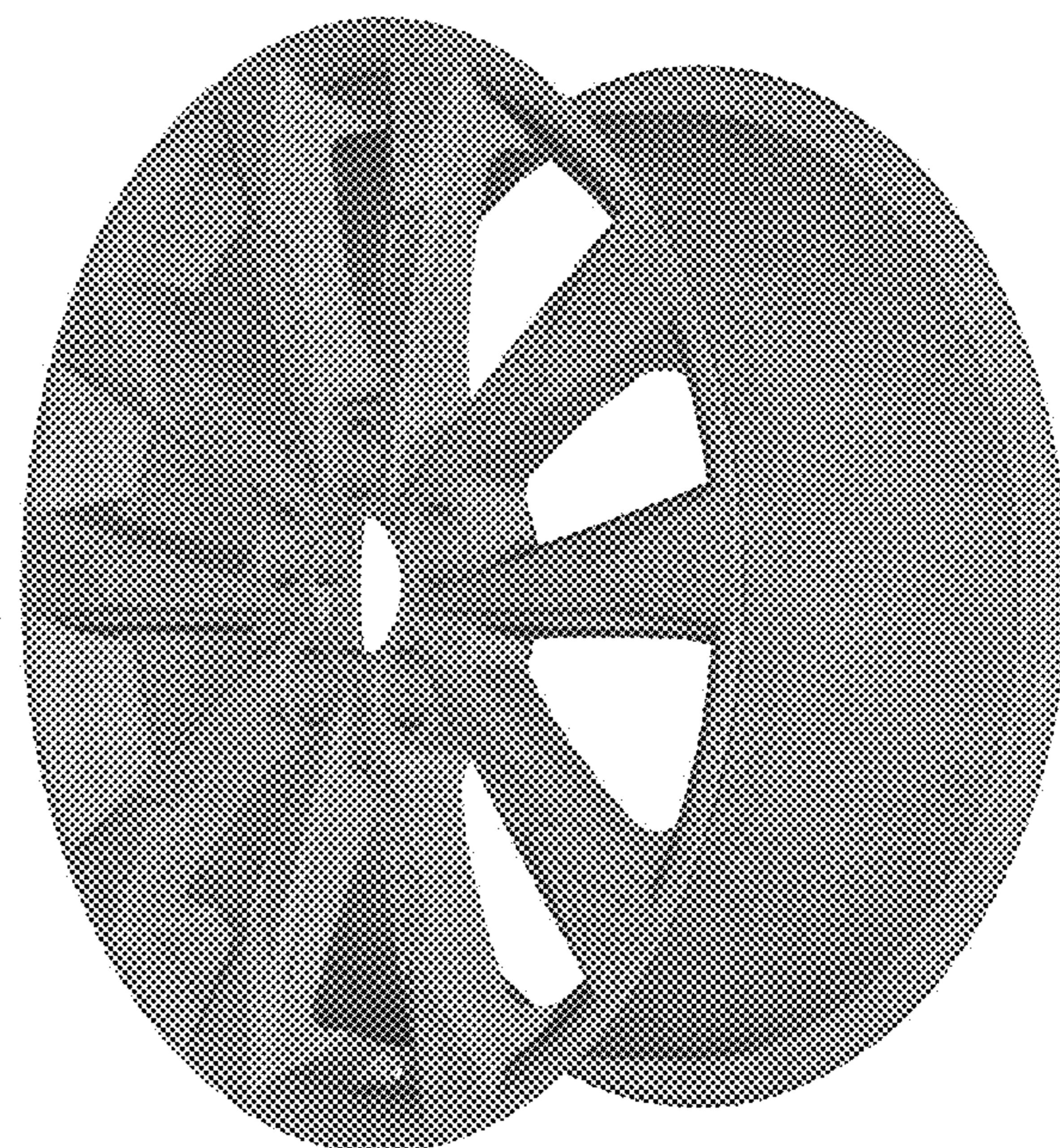
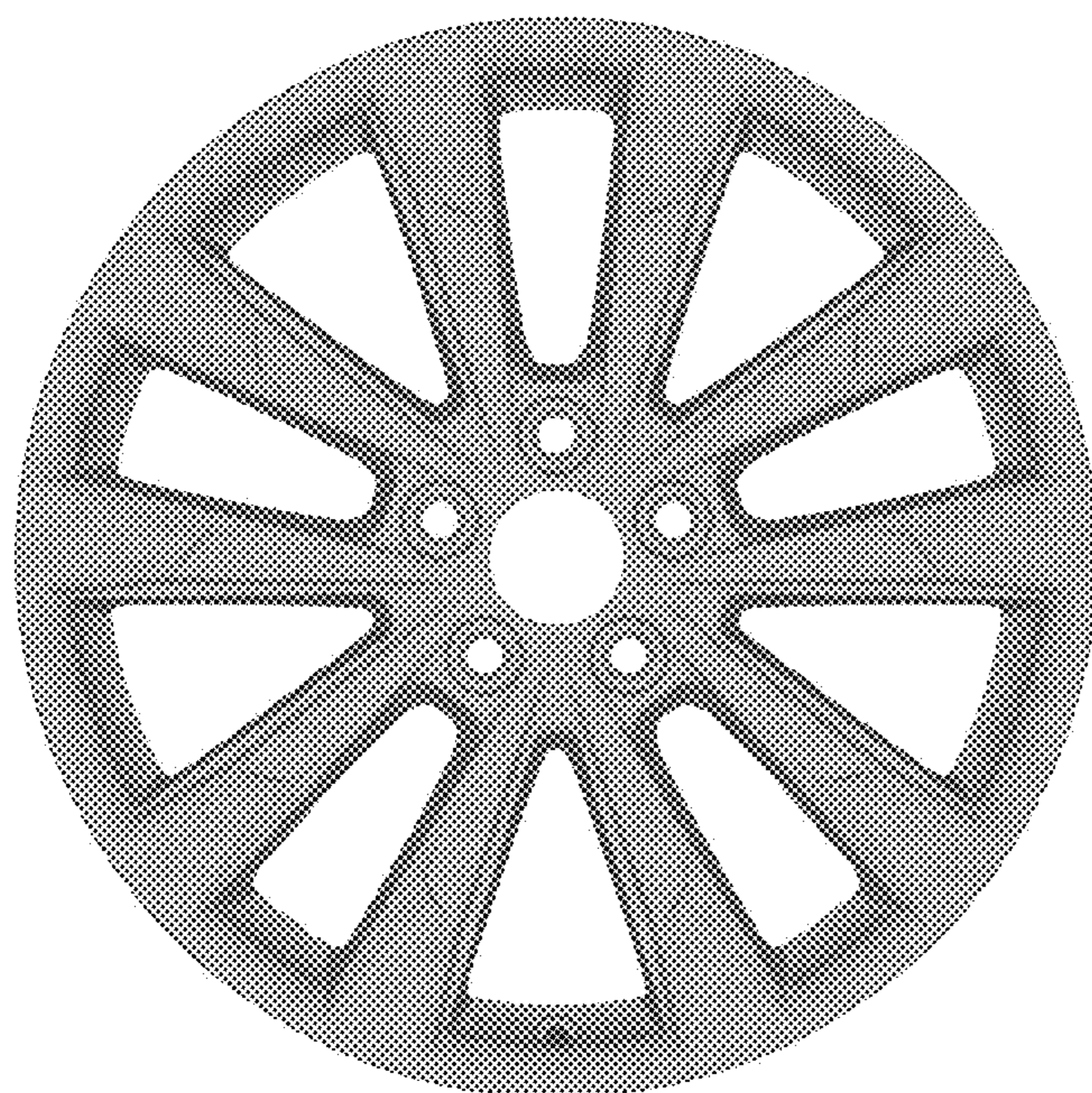




Fig. 1

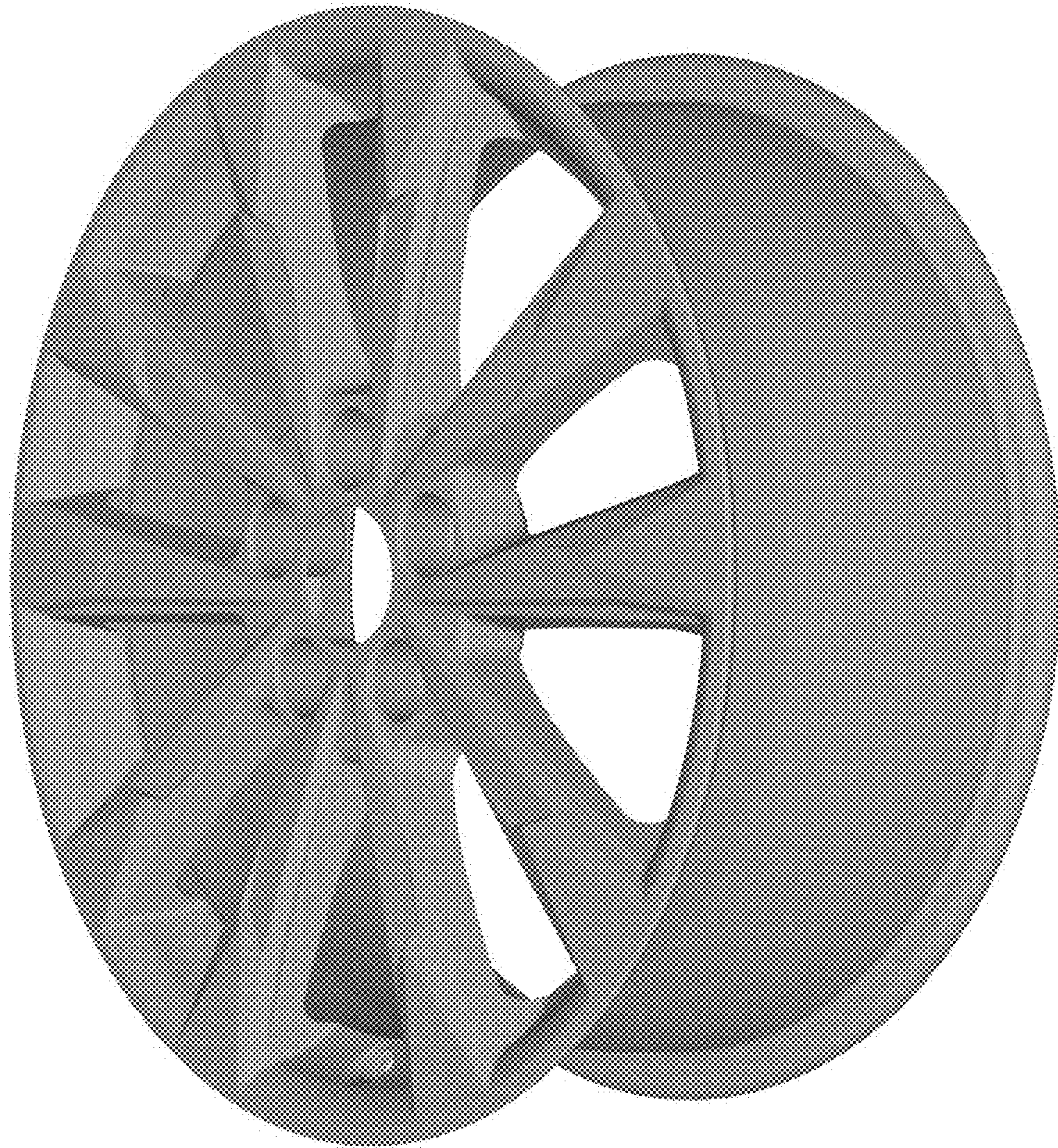


Fig. 2