



US00D883886S

(12) **United States Design Patent**
Sempek

(10) **Patent No.:** **US D883,886 S**

(45) **Date of Patent:** **** May 12, 2020**

(54) **WHEEL RIM**

(71) Applicant: **Allied Wheel Components**, Garden Grove, CA (US)

(72) Inventor: **Christopher Sean Sempek**, Long Beach, CA (US)

(73) Assignee: **Allied Wheel Components**, Garden Grove, CA (US)

(**) Term: **15 Years**

(21) Appl. No.: **29/664,018**

(22) Filed: **Sep. 20, 2018**

(51) **LOC (12) Cl.** **12-16**

(52) **U.S. Cl.**
USPC **D12/209**

(58) **Field of Classification Search**
USPC D12/204–213; D21/563
CPC B60B 7/00; B60B 7/02; B60B 7/04; B60B 7/01; B60B 7/06; B60B 3/02; B60B 3/04; B60B 3/06; B60B 3/10; B60B 1/00; B60B 1/08; B60B 1/10; B60B 1/12
See application file for complete search history.

(56) **References Cited**

U.S. PATENT DOCUMENTS

D58,279 S	6/1921	Weeh et al.	
1,404,382 A	1/1922	Lewis et al.	
1,530,863 A	3/1925	Vanderveer et al.	
D298,527 S *	11/1988	Lorinser	D12/211
D336,886 S *	6/1993	Mikawa	D12/211
D350,523 S *	9/1994	Mobius	D12/209
D391,913 S *	3/1998	Chung	D12/209
D396,208 S	7/1998	Baumgartner et al.	
D421,590 S *	3/2000	Sacco	D12/209
D439,212 S *	3/2001	Neeper	D12/211
D450,649 S	11/2001	Penzes	
D461,754 S *	8/2002	Hoshino	D12/209

D466,852 S *	12/2002	Pfeiffer	D12/211
D477,556 S	7/2003	Koch	
D481,984 S	11/2003	Sulahian	
D487,242 S *	3/2004	Lecher	D12/211
D488,760 S *	4/2004	Kato	D12/209
D492,236 S *	6/2004	Brown	D12/211
D497,870 S	11/2004	Cahyono	
D503,915 S *	4/2005	Markefka	D12/209
D504,101 S	4/2005	Pfeiffer	
D507,221 S *	7/2005	Stopka	D12/209
D508,007 S	8/2005	Koch	
D513,728 S	1/2006	Yazawa et al.	
D516,490 S	3/2006	Baer	
D522,429 S *	6/2006	Ishiwata	D12/209
D524,217 S	7/2006	Aoki	
D524,712 S *	7/2006	Pfeiffer	D12/211
D525,183 S *	7/2006	Pfeiffer	D12/209
D525,927 S *	8/2006	Pfeiffer	D12/209
D525,928 S *	8/2006	Pfeiffer	D12/209

(Continued)

OTHER PUBLICATIONS

Raceline Wheels, Go Everywhere, Catalog, Apr. 7, 2017, Allied Wheel Components INC, vol. 29, 16 pages.

(Continued)

Primary Examiner — Stacia A Cadmus

(74) *Attorney, Agent, or Firm* — Fish IP Law, LLP

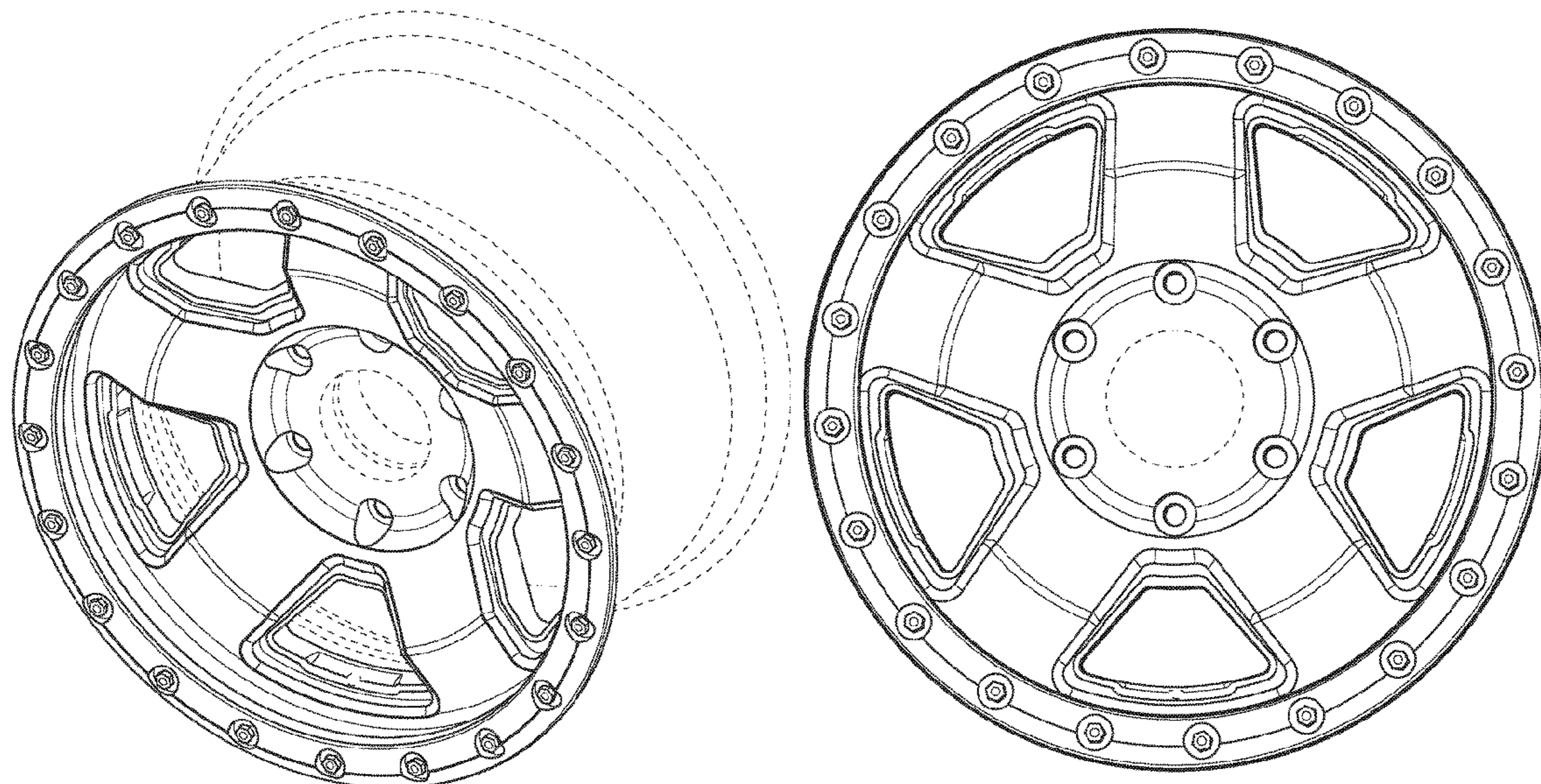
(57) **CLAIM**

I claim the ornamental design for a wheel rim, as shown and described.

DESCRIPTION

FIG. 1 is a top, front, right side perspective view of a wheel rim of the new design; and, FIG. 2 is a front elevation view thereof. The broken lines depicted in FIG. 1 and FIG. 2 are included for the purpose of illustrating a portion of the wheel rim and forms no part of the claimed design.

1 Claim, 2 Drawing Sheets



(56)

References Cited

U.S. PATENT DOCUMENTS

D526,261 S * 8/2006 Ohta D12/209
 D527,329 S * 8/2006 Pfeiffer D12/211
 D529,426 S 10/2006 Metros et al.
 D534,473 S 1/2007 Bernoni
 D535,933 S * 1/2007 Markefka D12/209
 D538,215 S 3/2007 Laengerer
 D542,210 S 5/2007 Plumer
 D543,922 S 6/2007 Young
 D555,065 S 11/2007 Hernandez
 D587,179 S 2/2009 Pfeiffer
 D589,865 S * 4/2009 Jung D12/209
 D608,711 S 1/2010 Juergens et al.
 D609,624 S 2/2010 Matsubara
 D617,710 S 6/2010 Ectors et al.
 D619,070 S 7/2010 Pollmann
 D620,862 S 8/2010 Pollmann
 D623,110 S 9/2010 Juergens et al.
 D628,948 S 12/2010 Chung
 D629,347 S 12/2010 Kim
 D632,239 S 2/2011 Gallert
 D639,222 S 6/2011 Johnson
 D644,587 S 9/2011 Gotschke
 D659,063 S 5/2012 Johnson
 D660,220 S 5/2012 Chan
 D666,546 S 9/2012 Juergens et al.
 D667,355 S 9/2012 Gotschke
 D677,208 S * 3/2013 Gotschke D12/209
 D682,180 S 5/2013 Zhao
 D688,190 S 8/2013 Hodges
 D691,542 S 10/2013 Chan
 D695,183 S 12/2013 Chung
 D702,173 S 4/2014 Perini
 D704,116 S * 5/2014 Chung D12/209
 D706,196 S 6/2014 Lee
 D715,722 S 10/2014 Johnson
 D717,224 S 11/2014 Kim
 D717,711 S 11/2014 Kern
 D720,271 S 12/2014 Mielke et al.
 D721,318 S 1/2015 Kim
 D722,937 S 2/2015 Johnson
 D724,515 S 3/2015 Chung
 D726,089 S 4/2015 Hodges
 D726,090 S 4/2015 Hilpert
 D730,796 S * 6/2015 Dingle D12/209
 D739,329 S 9/2015 Watkin
 D742,799 S * 11/2015 Zhao D12/211

D744,399 S 12/2015 Juergens et al.
 D744,931 S 12/2015 Curic et al.
 D749,486 S 2/2016 Huang
 D751,481 S 3/2016 Chung
 D751,966 S 3/2016 Zhao
 D754,049 S 4/2016 Valencia
 D756,877 S 5/2016 Huang
 D772,131 S * 11/2016 Wheel D12/209
 D772,133 S 11/2016 Stone et al.
 D775,047 S 12/2016 Wheel
 D782,951 S 4/2017 Bjerke
 D785,536 S * 5/2017 Liffick D12/211
 D786,768 S 5/2017 Youssef
 D791,035 S 7/2017 Palana
 D799,398 S 10/2017 Liffick
 D800,628 S 10/2017 Tran
 D803,129 S 11/2017 McMath
 D806,630 S 1/2018 McMath
 D808,325 S 1/2018 Chung
 D813,137 S 3/2018 Sempek
 D813,780 S 3/2018 Sempek
 D817,844 S 5/2018 Hale, Jr.
 D836,523 S * 12/2018 Wittinger D12/209
 D847,062 S * 4/2019 Rolfs D12/209

OTHER PUBLICATIONS

Raceline Wheels, Go Everywhere, Catalog, Oct. 16, 2015, Allied Wheel Components INC, vol. 24, 28 pages.
 Raceline Wheels, Go Everywhere, Catalog, Feb. 21, 2017, Allied Wheel Components INC, vol. 22, 9 page.
 Raceline Wheels, Go Everywhere, Catalog, Feb. 21, 2017, Allied Wheel Components INC, vol. 23, 16 pages.
 Raceline Wheels, Go Everywhere, Catalog, Feb. 23, 2017, Allied Wheel Components INC, vol. 28, 20 pages.
 Raceline Wheels, Go Everywhere, Catalog, Mar. 24, 2016, Allied Wheel Components INC, vol. 26, 28 pages.
 Raceline Wheels, Go Everywhere, Catalog, Oct. 24, 2016, Allied Wheel Components INC, vol. 27, 20 pages.
 Raceline Wheels, Go Everywhere, Catalog, Jan. 26, 2016, Allied Wheel Components INC, vol. 25, 28 pages.
 Raceline Wheels, Go Everywhere, Catalog, Allied Wheel Components INC, vol. 22, 16 pages.
 Raceline Wheels, Go Everywhere, Catalog, Allied Wheel Components INC, vol. 26, 13 pages.

* cited by examiner

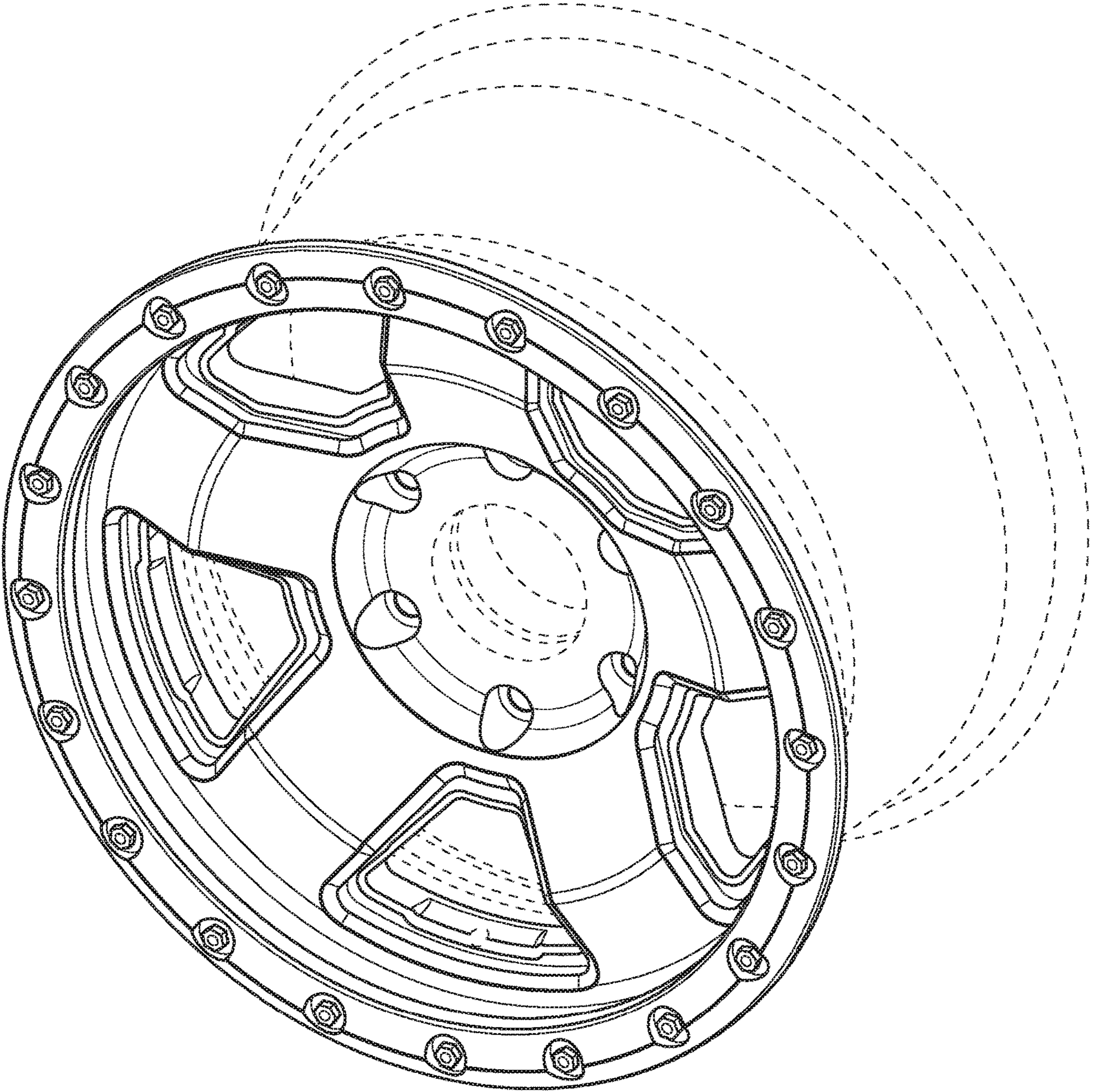


FIG. 1

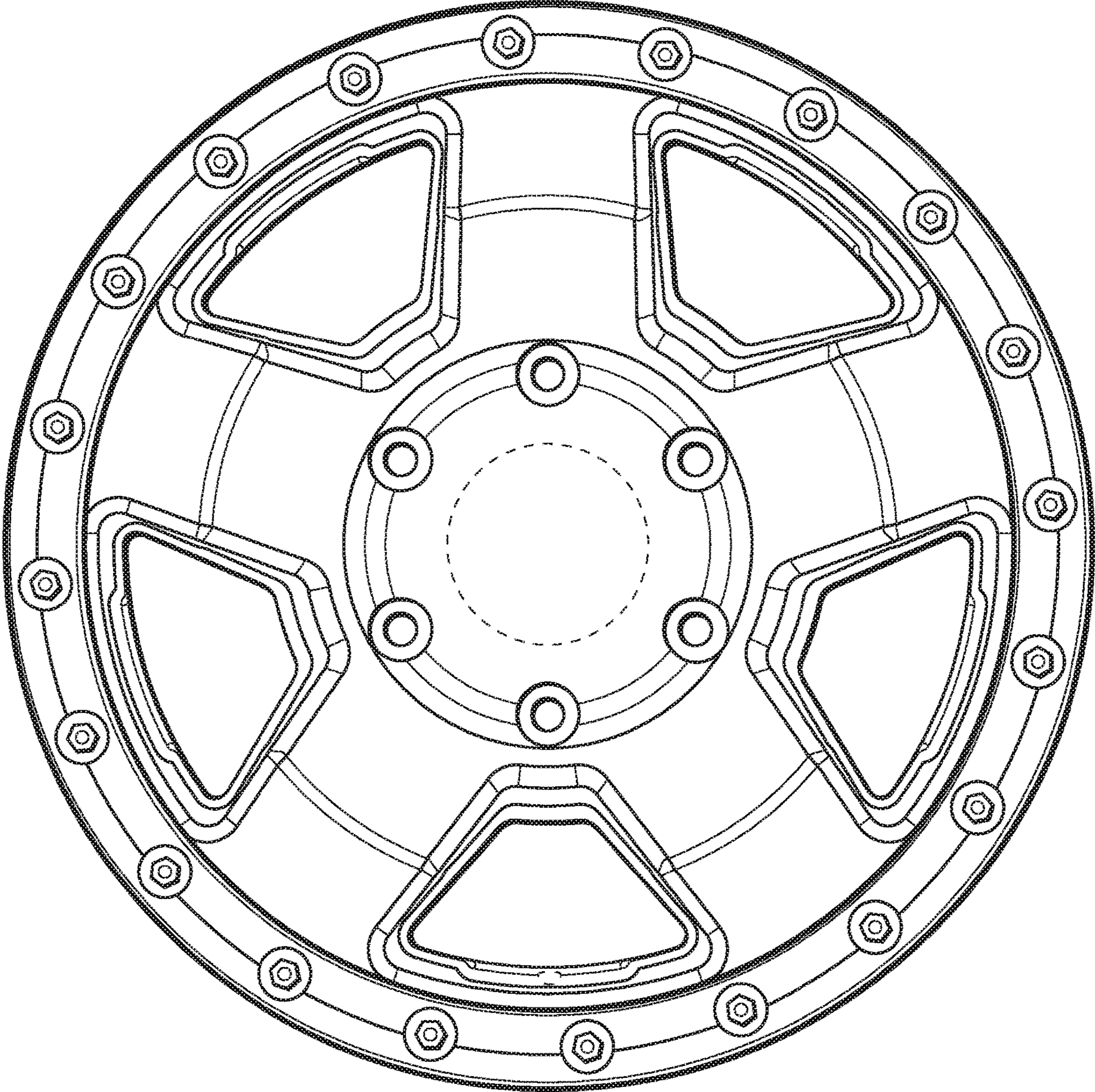


FIG. 2