



US00D883885S

(12) **United States Design Patent** (10) **Patent No.:** **US D883,885 S**  
**Metros et al.** (45) **Date of Patent:** **\*\* May 12, 2020**

- (54) **VEHICLE LIFTGATE**
- (71) Applicant: **Ford Global Technologies, LLC**,  
Dearborn, MI (US)
- (72) Inventors: **Craig Metros**, Bloomfield, MI (US);  
**George Bucher**, Dearborn, MI (US);  
**James Grake**, Beverly Hills, MI (US);  
**Andrew Bazinski**, Amherstburg (CA)
- (73) Assignee: **Ford Global Technologies, LLC**,  
Dearborn, MI (US)
- (\*\*) Term: **15 Years**
- (21) Appl. No.: **29/685,406**
- (22) Filed: **Mar. 28, 2019**
- (51) **LOC (12) Cl.** ..... **12-16**
- (52) **U.S. Cl.**  
USPC ..... **D12/196**
- (58) **Field of Classification Search**  
USPC ..... D12/90, 91, 92, 93, 96, 196  
CPC .. B62D 25/02; B62D 25/04; B60J 5/00; B60J  
5/02; B60J 5/04; B60J 5/10  
See application file for complete search history.

- D764,995 S 8/2016 Bucher et al.
- D805,985 S \* 12/2017 Nakamura ..... D12/196
- D820,183 S \* 6/2018 Gueler ..... D12/196
- D823,763 S \* 7/2018 Koo ..... D12/196
- D835,557 S \* 12/2018 Whitla ..... D12/196
- D839,163 S \* 1/2019 Pinazzo ..... D12/196
- D856,243 S \* 8/2019 Woodhouse ..... D12/196
- D859,251 S \* 9/2019 Bucher ..... D12/196
- D867,251 S \* 11/2019 Sarremejean ..... D12/196
- D873,193 S \* 1/2020 Thogersen ..... D12/196

\* cited by examiner

*Primary Examiner* — George D. Kirschbaum  
*Assistant Examiner* — Joseph J Kukella

(74) *Attorney, Agent, or Firm* — Vichit Chea

(57) **CLAIM**

The ornamental design for a vehicle liftgate, as shown and described.

**DESCRIPTION**

FIG. 1 is a front elevational view of a vehicle liftgate, showing our new design;  
FIG. 2 is a left side elevational view thereof;  
FIG. 3 is a right side elevational view thereof;  
FIG. 4 is a top plan view thereof;  
FIG. 5 is a bottom plan view thereof;  
FIG. 6 is a top, front, and left side perspective view thereof; and,  
FIG. 7 is a bottom, front, and left side perspective view thereof.

(56) **References Cited**

U.S. PATENT DOCUMENTS

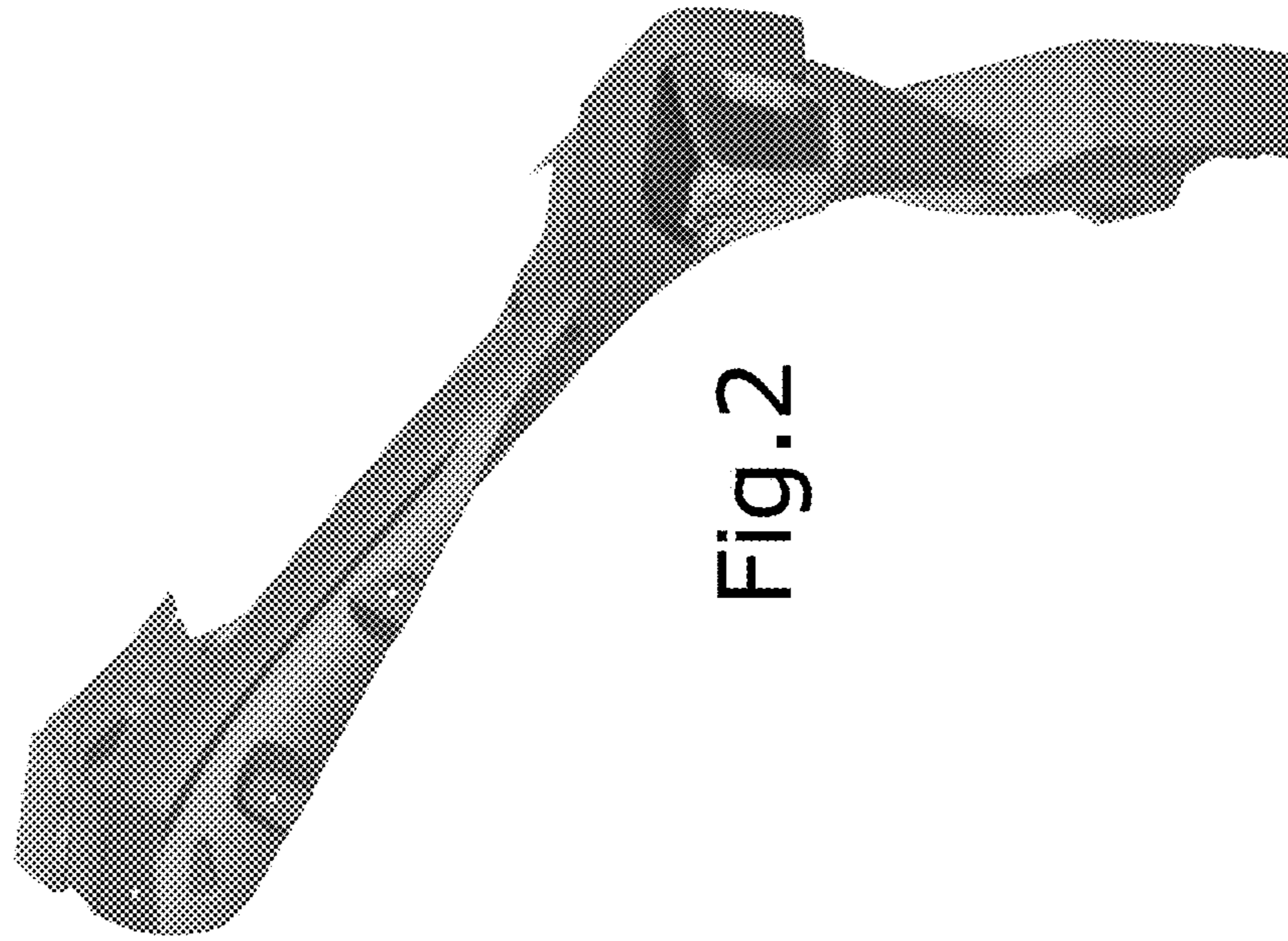
- D580,330 S 11/2008 Gueler et al.
- D761,177 S \* 7/2016 Behmer ..... D12/196

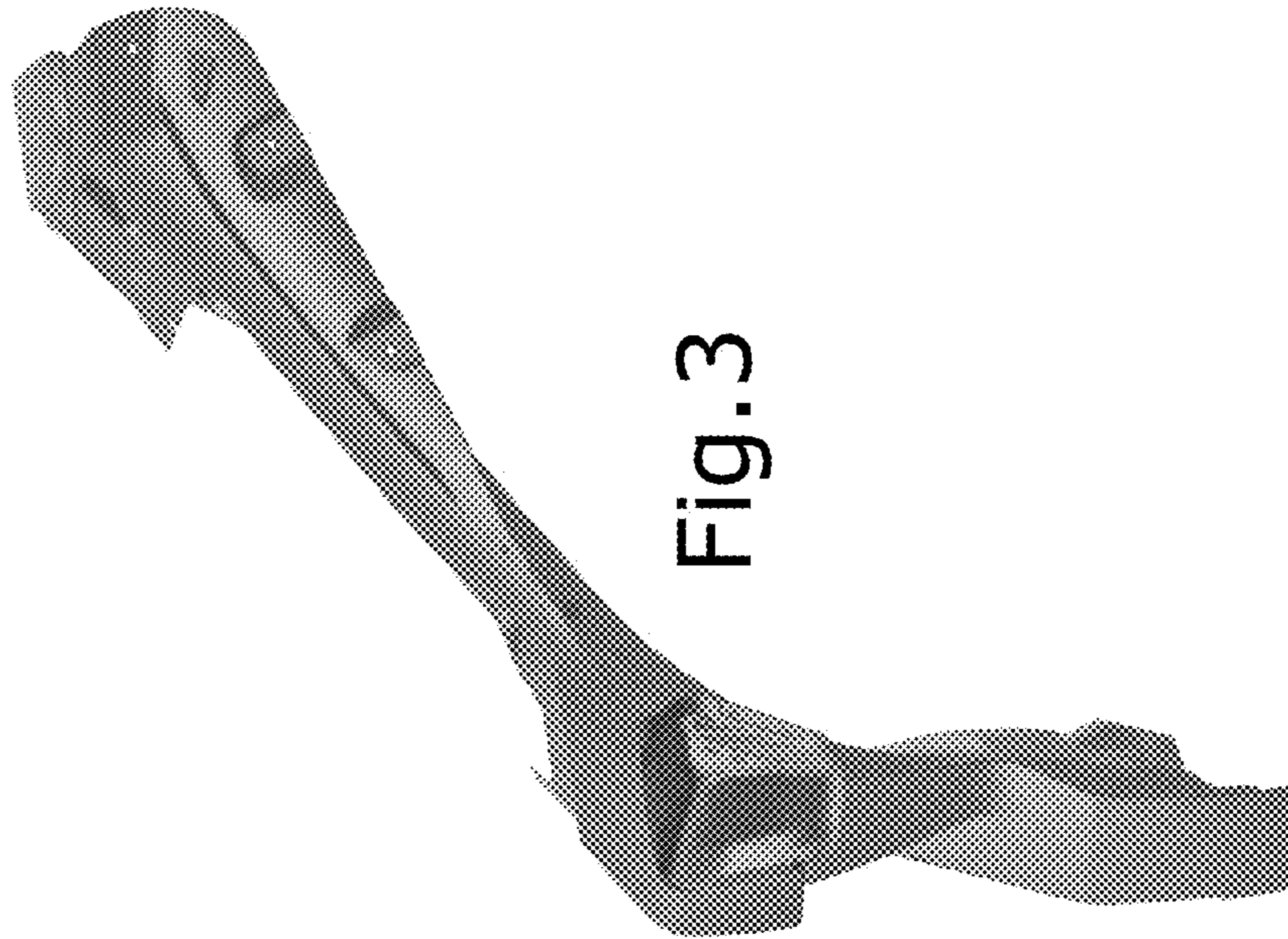
**1 Claim, 7 Drawing Sheets**





Fig. 1





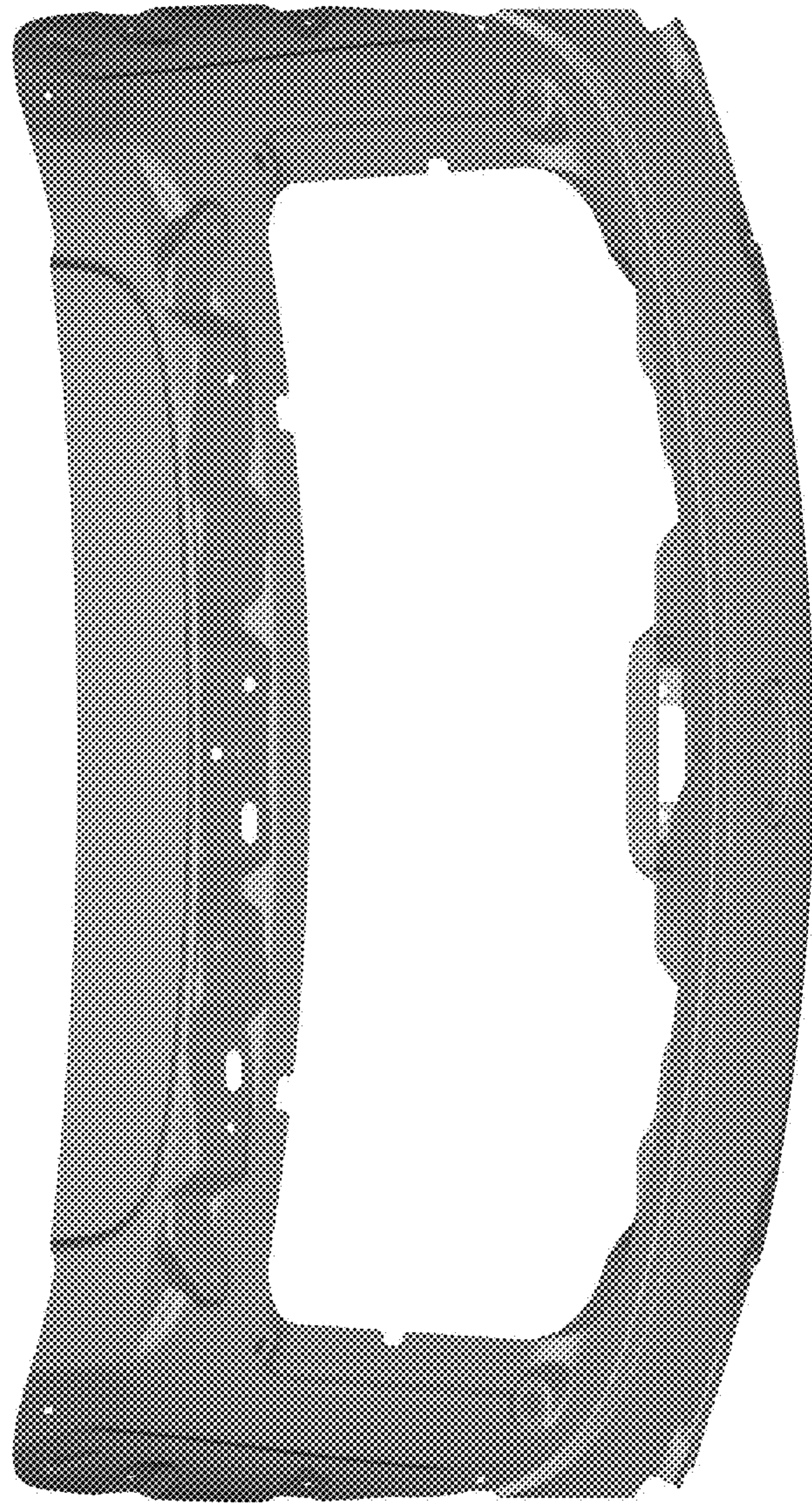


Fig.4

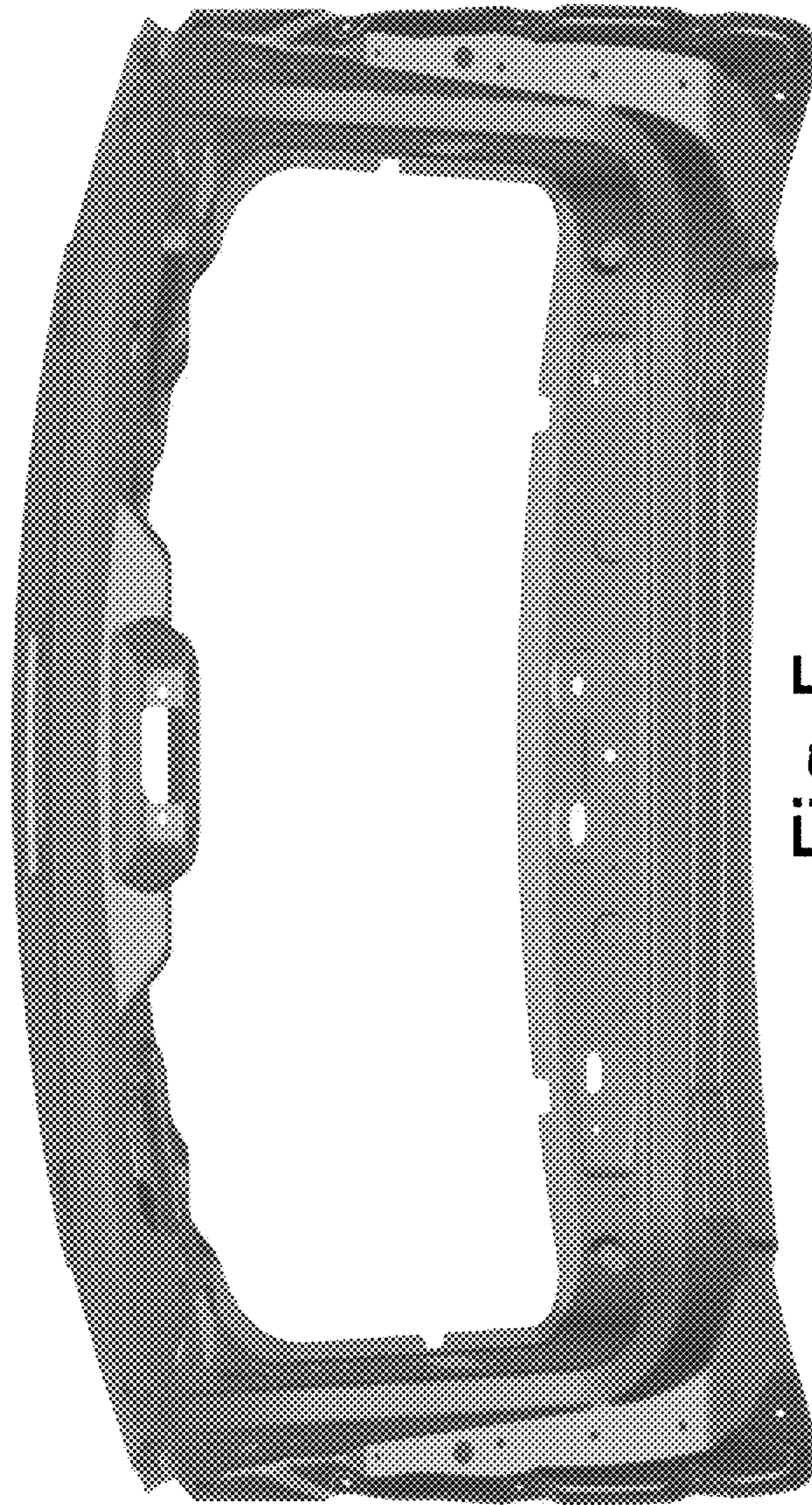


Fig. 5

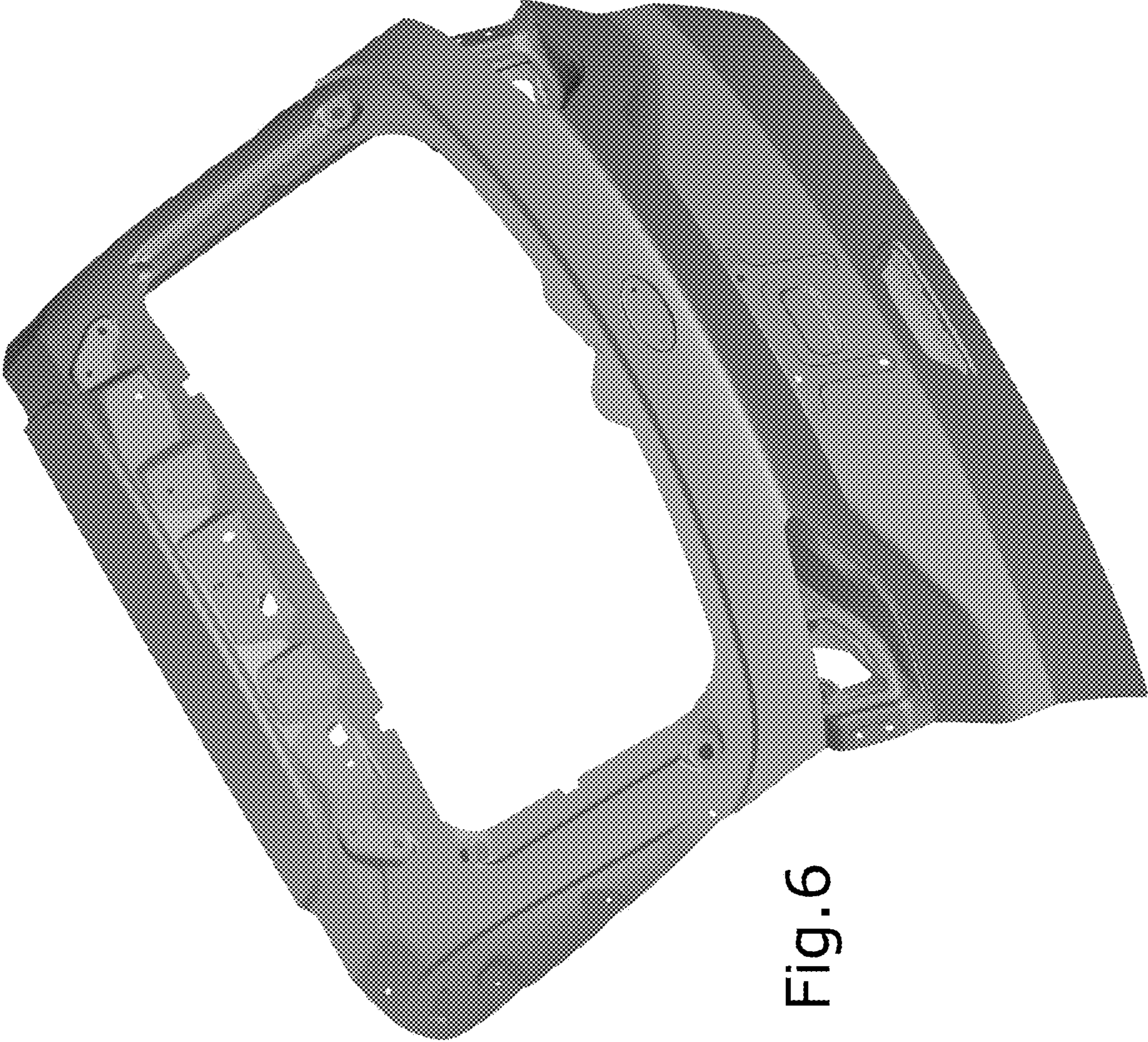


Fig. 6

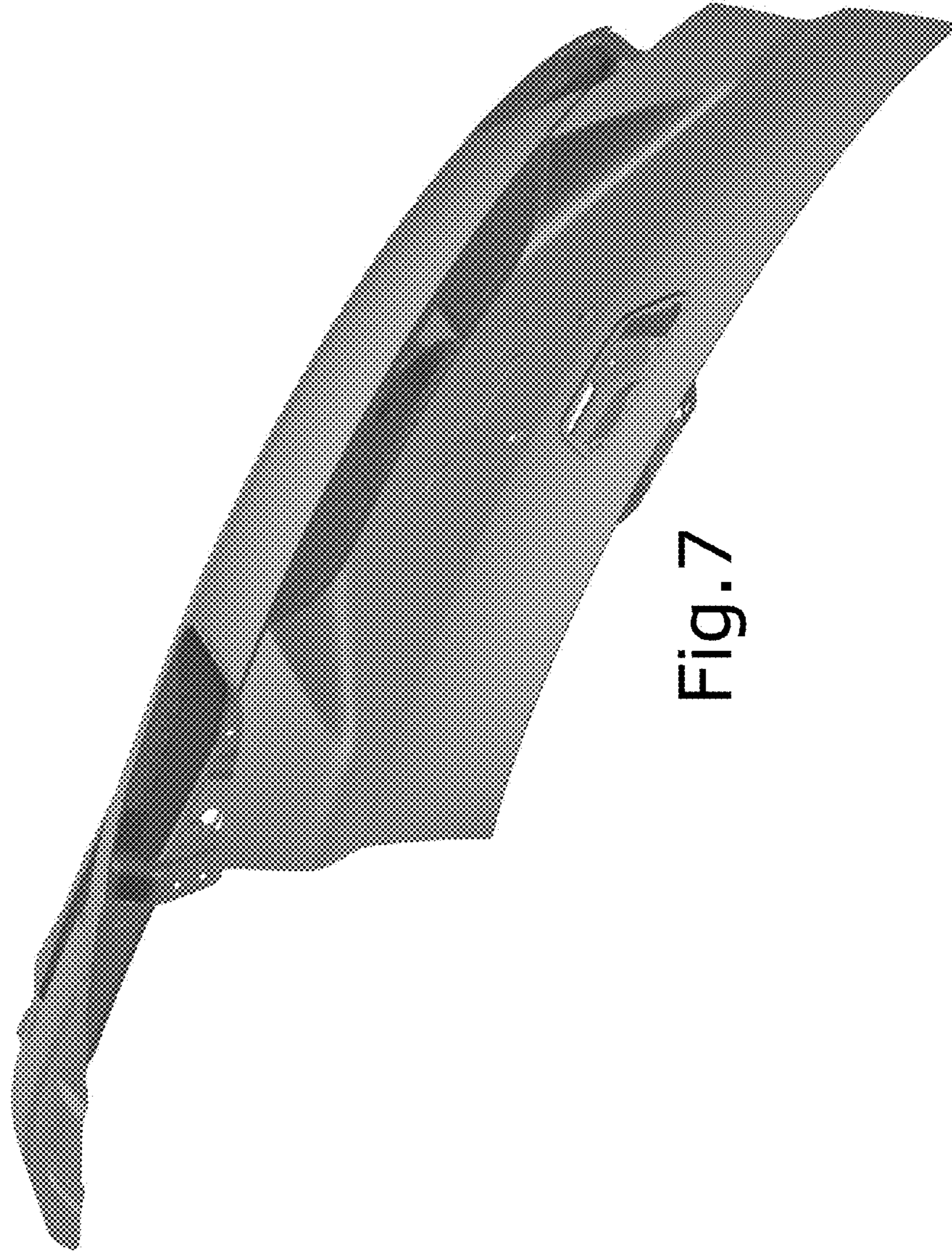


Fig. 7